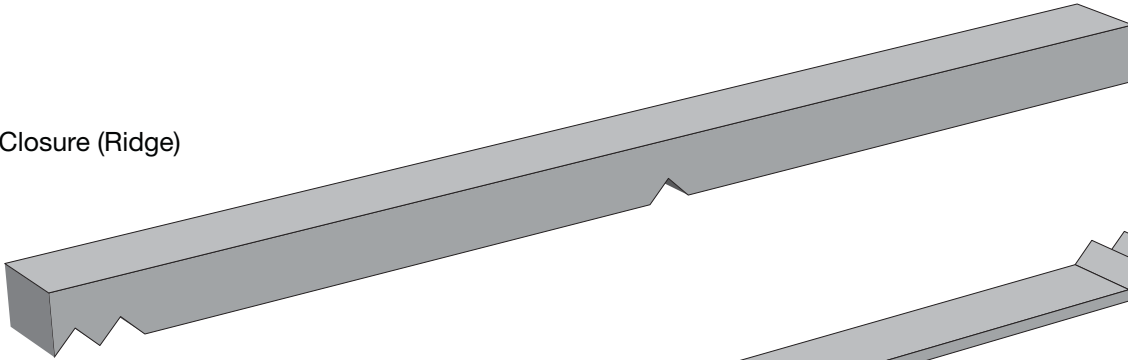
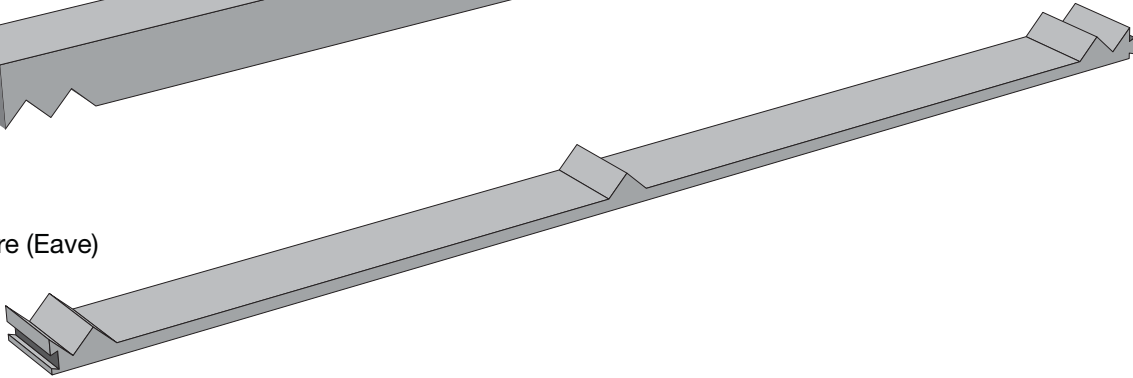


Outside Closure (Ridge)



Inside Closure (Eave)



PHYSICAL PROPERTIES	TEST METHOD	UNITS	VALUE	
Density - Nominal	ASTM D3575 - Suffix W	lb/ft ²	1.8	
Tensile Strength - M.D.	ASTM D3575 - Suffix T	PSI	39.5	
Tensile Strength - T.D.	ASTM D3575 - Suffix G	PSI	35.1	
Tear Strength - M.D.	ASTM D3575 - Suffix T	lb/ft ²	11.1	
Tear Strength - M.D.	ASTM D3575 - Suffix G	lb/ft ²	11.4	
Elongation at Break - M.D.	ASTM D3575 - Suffix T	%	155	
Elongation at Break - T.D.	ASTM D3575 - Suffix T	%	165	
Shore Hardness	ASTM D2440	00	51	
Compression Deflection - 25%	ASTM D3575 - Suffix D	PSI	5.4	
Compression Deflection - 50%	ASTM D3575 - Suffix D	PSI	13.6	
Compression Set	25% ·1/2 hr.	ASTM D3575 - Suffix B	%	14
	25% ·24 hrs.	ASTM D3575 - Suffix B	%	8
	50% ·1/2 hr.	ASTM D3575 - Suffix B	%	35
	50% ·24 hr.	ASTM D3575 - Suffix B	%	26
Working Temperature Range	Internal	°F	-76 / 194	
Water Absorption, 7 days	Internal	% Vol	1	
Thermal Conductivity, 50° F	ASTM C177	BTU ¹	0.271	
Thermal Conductivity, 104° F	ASTM C177	BTU ¹	0.303	
Flammability >1/4 in.	FMVSS302	4 in./min.	PASS	
Thermal Stability, 24 hrs., 158°F	ASTM D3575 - Suffix - B	%	2	

Fuzion 1.8 lb/ft³ STD · 29 kg/m³

Fuzion is a closed cell chemically crosslinked polyethylene foam in roll form. Data represents typical values and should be considered as a guideline only. The information above on FUZION chemically crosslinked polyethylene foam is presented to the best of our knowledge.

MSDS sheets available upon request.

1. in./hr./ft² °F