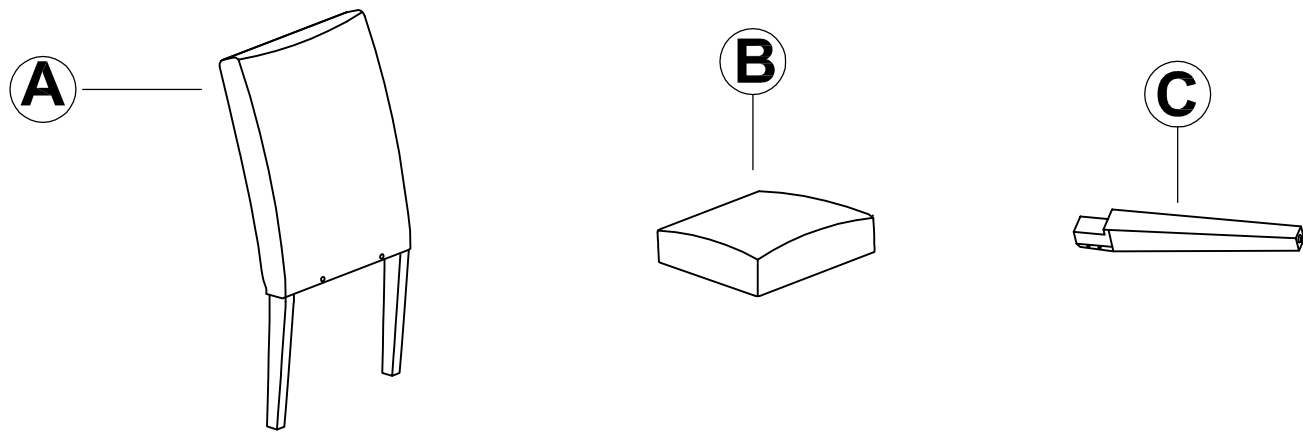


DUBOIS SIDE CHAIR ASSEMBLY INSTRUCTIONS



PARTS PACKING CONFIGURATION

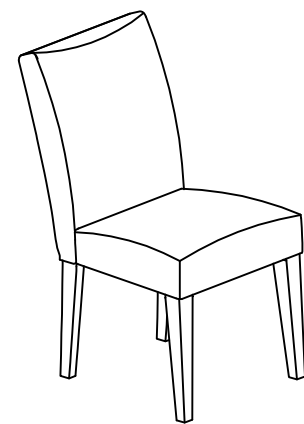
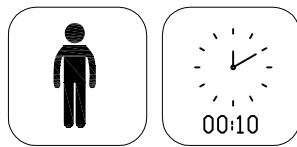
- A. CHAIR BACK 1 PC
- B. SEAT 1 PC
- C. FRONT LEG 2 PCS



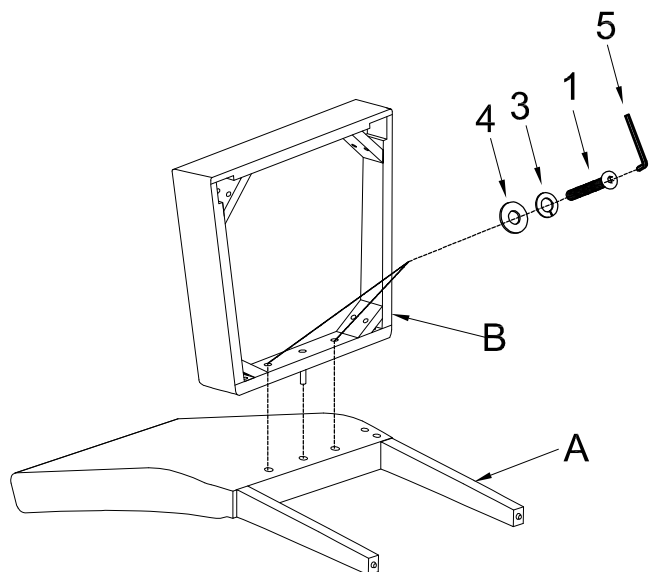
HARDWARE ENCLOSED IN CARTON

DUBOIS SIDE CHAIR FULLY ASSEMBLED

No	Description	Photo	Quantity
1	ALLEN BOLT (5/16" x 2")		6 PCS
2	ALLEN BOLT (5/16" x 3-1/4")		4 PCS
3	LOCK WASHER (5/16")		10 PCS
4	FLAT WASHER (5/16")		10 PCS
5	ALLEN KEY(5/16")		1 PC

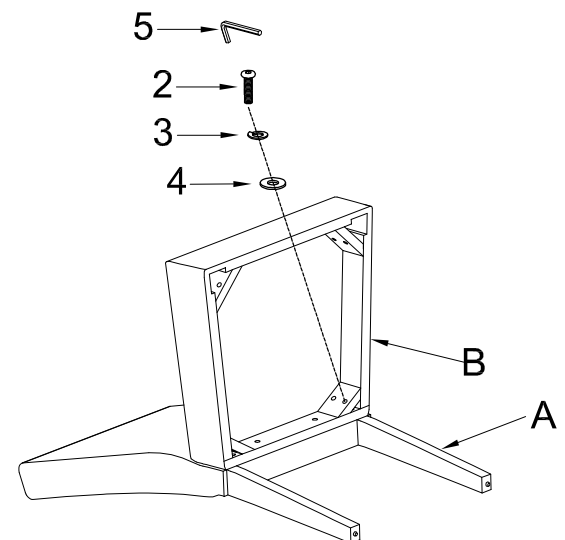


STEP 1:



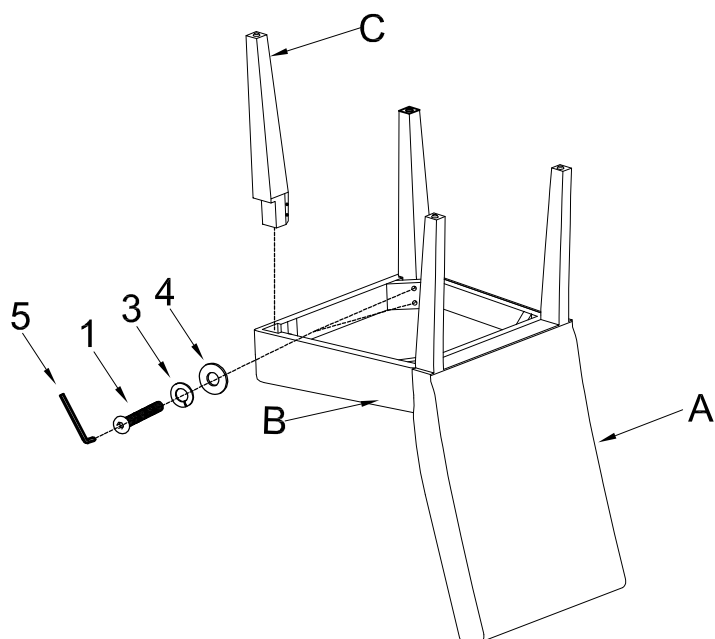
DO NOT FULLY TIGHTEN BOLTS

STEP 2:



DO NOT FULLY TIGHTEN BOLTS

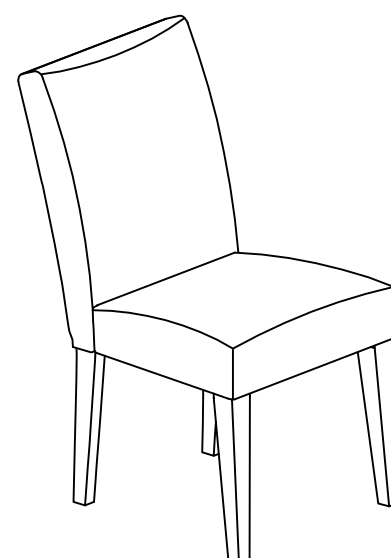
STEP 3:



DO NOT FULLY TIGHTEN BOLTS

STEP 4:

UPRIGHT THE CHAIR ON A FLAT, LEVEL SURFACE. WHEN CHAIR IS LEVELED, TIGHTEN ALL ASSEMBLY BOLTS FROM PREVIOUS STEPS WITH ALLEN KEY (5).



FULLY ASSEMBLED