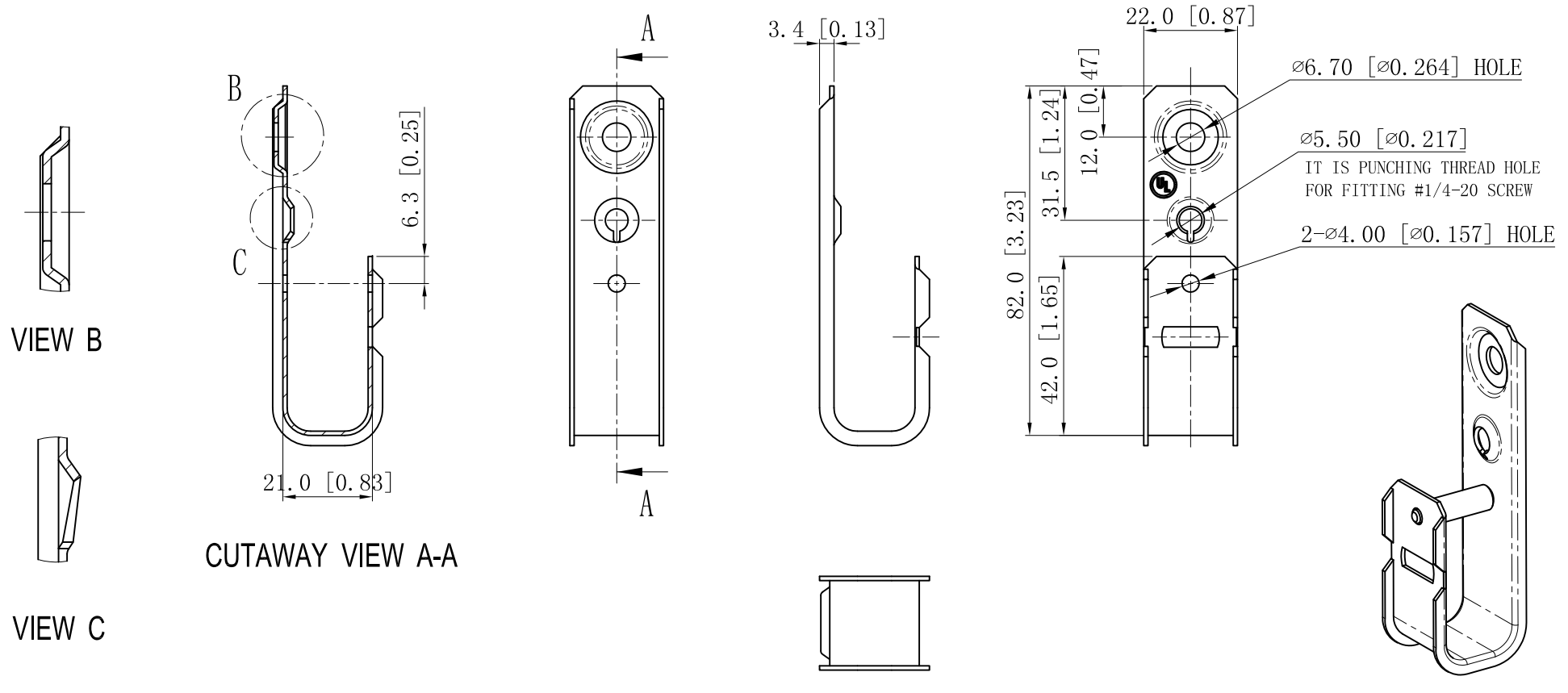


SIDES	BOTTOM
Material: 0.051~0.059"-SS316	



This data sheet is for reference only .GARVIN INDUSTRIES reserves the right to make changes to the design without prior notice.

DESCRIPTION
TRADE REFERENCE TERMS

STANDARD PACKING	GARVIN INDUSTRIES		
50 PCS	TITLE J-HOOKS		
	SIZE A4	DWG NO. JHK-12SS	REV A
	DATA SHEET		
www.garvinindustries.com			