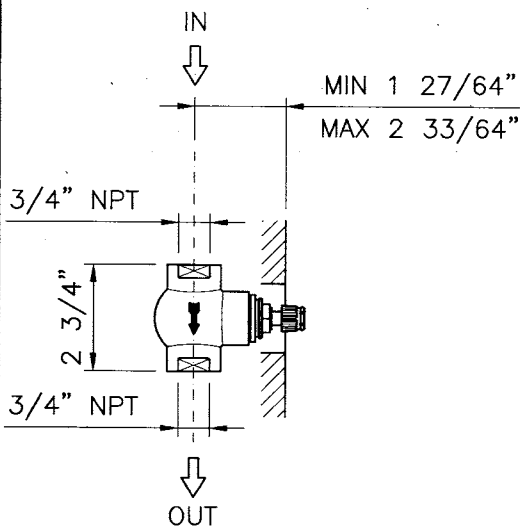


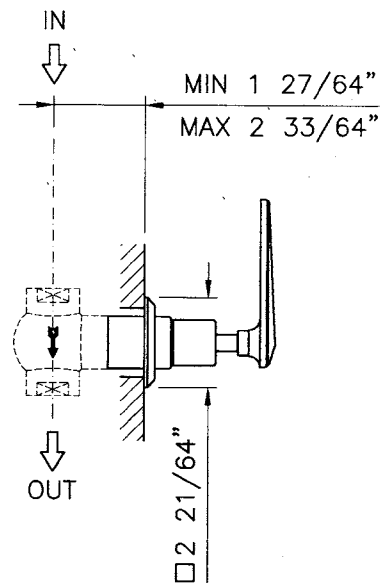
Volume control inside part

Art. A4911BO



Volume control external part

Art. A4012LV--



Preliminary information

1. The A4911BO and A4912 trim kit are separate units. You must order both to complete the package.
2. The A4911BO has the adaptor C7594 in the box
3. The A4911BO is port specific. Make sure the arrow points in the direction of the flow.
4. 1 $\frac{1}{2}$ " extension kit C4912 is available. Must order separately.

a - Preparation

1. Flush the system before and after installation.

b - Assembly of inside body

1. Estimate the finished wall and install the rough at the required depth.
2. Make sure the arrow on the body point in the direction of the flow.
3. **DO NOT SOLDER THE CONNECTIONS:** Heating the valve will damage the cartridge.
There is no warranty on cartridges damaged by heat.
4. Leave the plastic mudguard in place if further work is done in the area.