

Features

- Two Lever handles offer separate control of hot and cold water
- 8-5/8" (219 mm) spout reach
- 1.2 gpm (4.5 lpm) maximum flow rate at 60 psi (4.14 bar)
- Fluid design lines for ease of cleaning
- Coordinates with other products in the Parallel collection

Material

- Solid-brass construction for durability and reliability
- KOHLER finishes resist corrosion and tarnishing

Installation

- Wall-mount

Required Products/Accessories

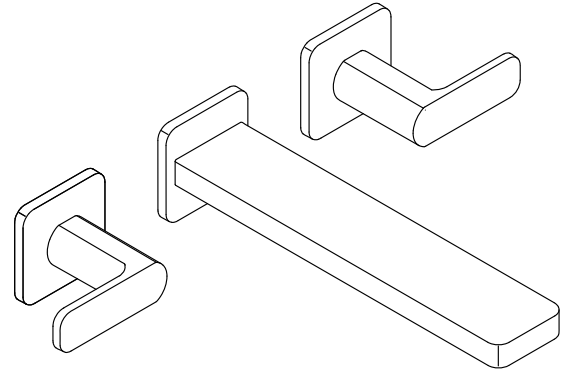
For wall-mount installation
K-410-K Wall-mount Valve

Recommended Products/Accessories

K-23726 Drain treatment
K-21897 Double toilet paper holder
K-23524 18" towel bar
K-23525 24" towel bar
K-23526 Towel arm
K-23527 Vertical toilet paper holder
K-23528 Pivoting toilet paper holder
K-23529 Robe hook

Optional Products/Accessories

K-7107 Decorative Drain
K-7108 Decorative Drain
K-7129 Drain
K-7129-A Bathroom sink grid drain with overflow
K-33151 Clicker drain without overflow
K-25322 Clicker drain with overflow



ADA CSA B651 OBC

Codes/Standards

ASME A112.18.1/CSA B125.1
NSF/ANSI/CAN 61
NSF/ANSI/CAN 372
DOE - Energy Policy Act 1992
EPA WaterSense®
California Energy Commission (CEC)
ADA
ICC/ANSI A117.1
CSA B651
OBC

KOHLER® Faucet Lifetime Limited Warranty

See website for detailed warranty information.

Available Colors/Finishes

Color tiles intended for reference only.

Color	Code	Description
	CP	Polished Chrome
	SN	Vibrant® Polished Nickel
	AF	Vibrant® French Gold
	BN	Vibrant® Brushed Nickel
	BV	Vibrant® Brushed Bronze
	BL	Matte Black
	2MB	Vibrant® Brushed Moderne Brass
	TT	Vibrant Titanium

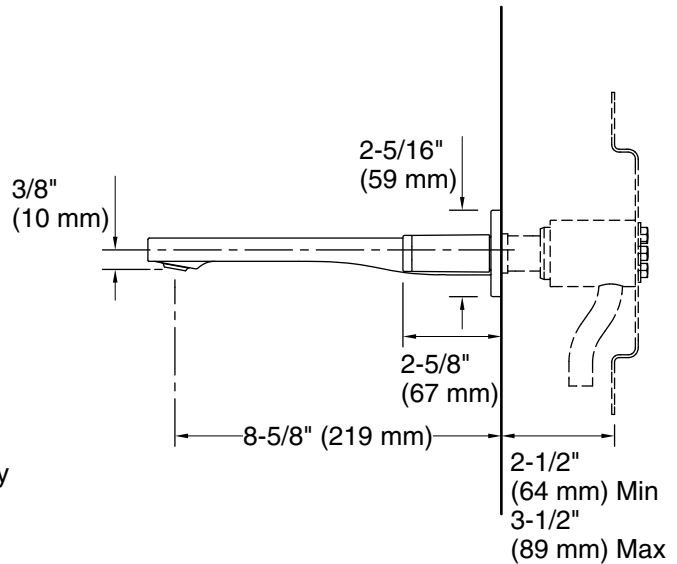
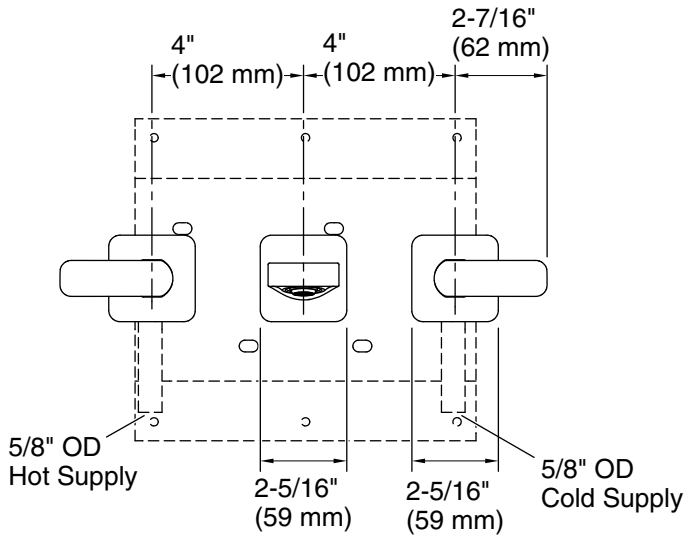
1-800-4KOHLER (1-800-456-4537)

Kohler Co. reserves the right to make revisions without notice to product specifications.

For the most current Specification Sheet, go to www.kohler.com USA or www.kohler.ca Canada

8-23-2025 00:57 - US/CA

THE BOLD LOOK
OF **KOHLER**®



Technical Information

All product dimensions are nominal.

Faucet flow rate: 1.2 gal/min (4.5 l/min)

Drain with overflow: Yes

Drain tailpiece included: No

Spout:

Spout reach: 8-5/8" (219 mm)

Notes

Install this product according to the installation instructions.

ADA, OBC, CSA B651 compliant when installed to the specific requirements of these regulations.