



see what Delta can do™

TUB AND SHOWER FAUCET

■ Everly® Series Bath Collection

FEATURES:

- MultiChoice® Universal rough
- H2Okinetic® Technology Spray

STANDARD SPECIFICATIONS:

- Max. flow rate 2.0 gpm @ 60 psi, 7.6 L/min @ 414 kPa
- Maintains a balanced pressure of hot and cold water even when a valve is turned on or off elsewhere in the system
- For use with MultiChoice® Universal rough valve body. (R10000 Series)
- Back-to-back installation capability
- Solid brass forged body
- Temperature only controlled with handle
- Field adjustable to limit handle rotation into hot water zone
- 120° maximum handle rotation
- Easy-turn 3-spray adjustable shower head
- Pull-up tub spout: 1/2" NPT iron pipe thread connection or 1/2" copper spout tube soldering connection

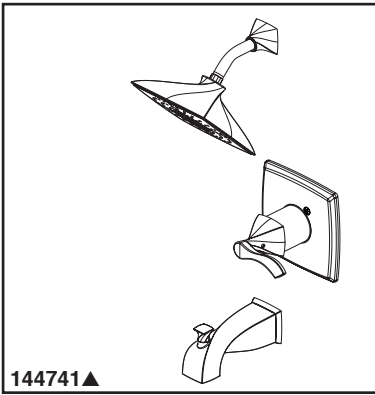
WARRANTY

- Parts and Finish - Lifetime limited warranty; or for commercial purchasers, 10 years for multi-family residential (apartments and condominiums) and 5 years for all other commercial uses, in each case from the date of purchase.
- Electronic Parts and Batteries (if applicable) - 5 years from the date of purchase; or for commercial purchasers, 1 year from the date of purchase. No warranty is provided on batteries.



COMPLIES WITH

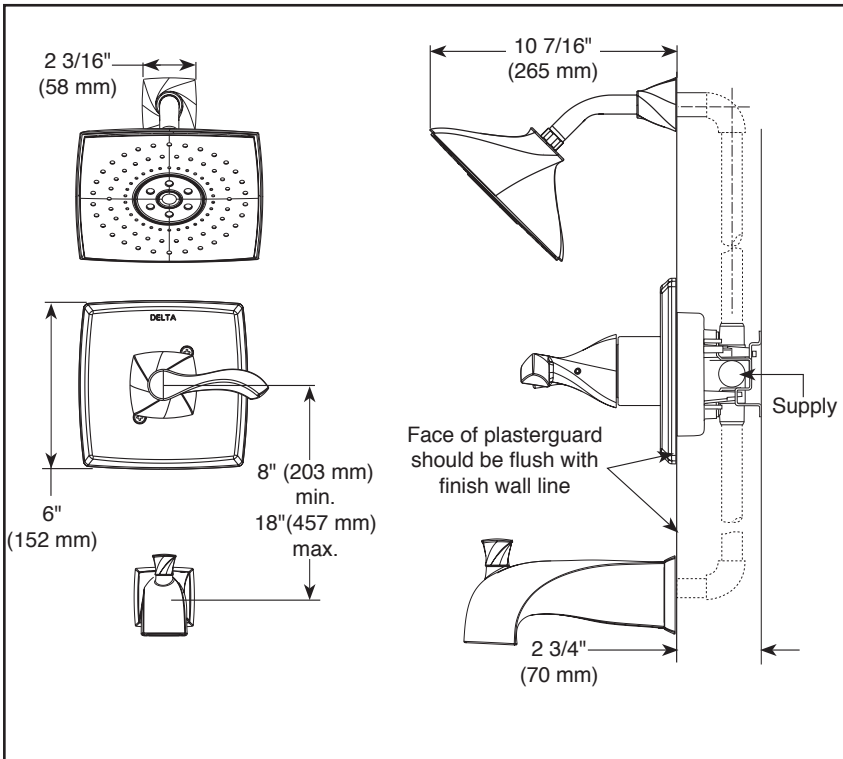
- ASME A112.18.1 / CSA B125.1
- Indicates compliance to ICC/ANSI A117.1 - Valve control only
- EPA WaterSense®



144741▲

Submitted Model No.: _____

Specific Features: _____



RP84369 ▲ (Shower head)

H₂Okinetic™ Spray
 Full Body Spray
 Pause

RP84371 ▲ (Pull-Up Diverter)

▲ Designate proper finish suffix

Delta reserves the right (1) to make changes in specifications and materials, and (2) to change or discontinue models, both without notice or obligation. Dimensions are for reference only. See current full-line price book or www.deltafaucet.com for finish options and product availability.

DSP-B-144741 Rev. B

Delta Faucet Company

55 E. 111th Street, Indianapolis, IN 46280
 350 South Edgeware Road, St. Thomas, ON N5P 4L1
 © 2019 Delta Faucet Company