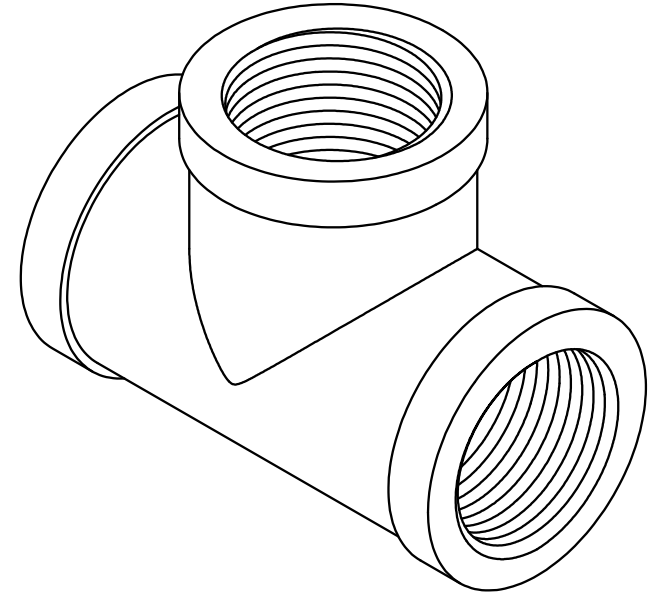
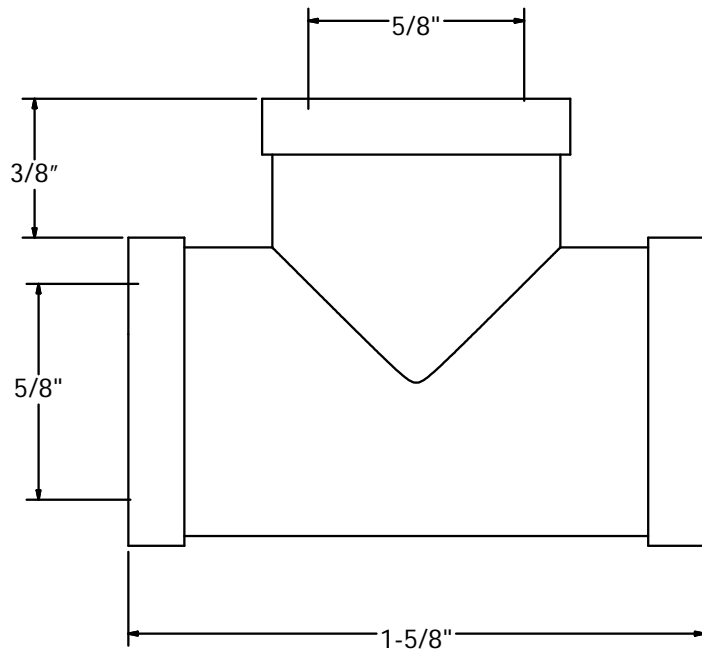
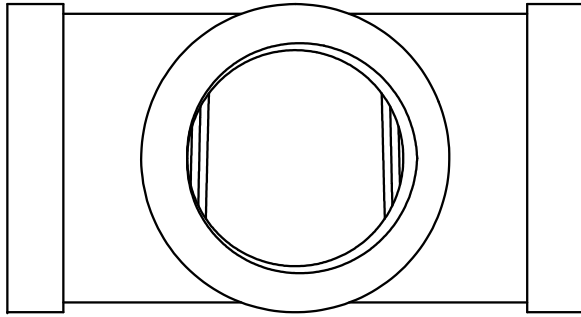


TEE - YELLOW BRASS PIPE FITTINGS



PHONE NUMBER
1-800-355-6637
 FAX NUMBER
1-800-462-6991
 SCALE _____ DATE _____
 SHEET
1 OF 1
 DRAWN BY
ASHLEY KRALOVEC

PART NO.

P10016

IPT

3/8"

CTN/MSTR

1