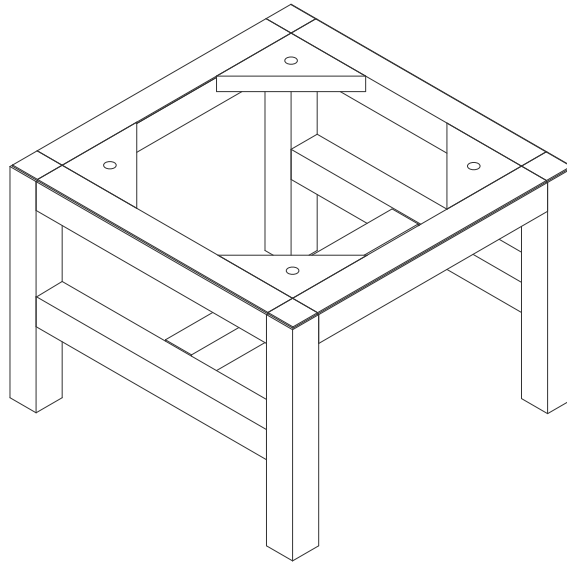


15"X15" ADDISON WOODEN STAND

E444-ST15-GW



Features and Materials

Solids: Yellow Poplar

Installation Type: Converts with Grand Tower Hutch
(E444-H15L-GW/E444-H15R-GW) into a Grand Linen Cabinet.

Dimension

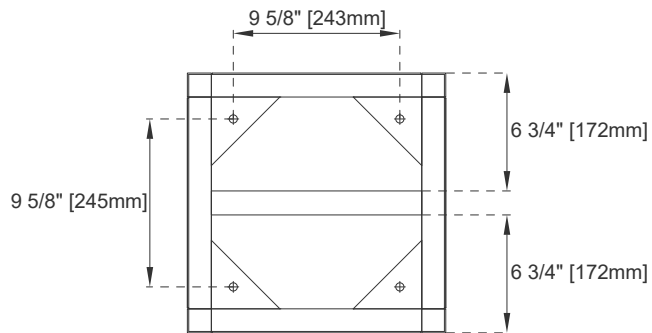
Width: 14-7/8"

Depth: 14-7/8"

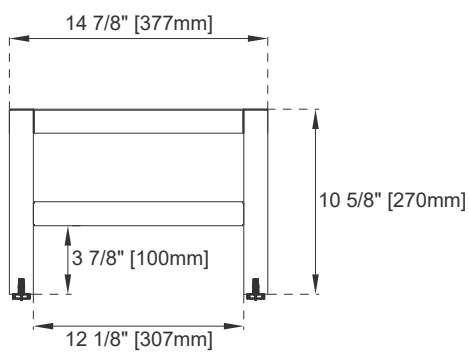
Height: 10-5/8"

15"X15" ADDISON WOODEN STAND

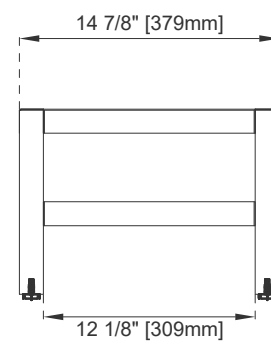
E444-ST15-GW



Top View



Front View



Side View

All dimensions are nominal

Visit website for warranty and installation information
www.jamesmartinvanities.com