



XOGOKBARV1
XO PRO-GRADE LUXURY DESIGNER ISLANDS

PUT SOME AWESOME IN YOUR BACKYARD



WELCOME TO YOUR PRIVATE ISLAND

- Durable Commercial Grade Fiber Cement Architectural Panel Finish
- White Carrera Style Quartz Surface
- Rugged Welded Steel Interior Frame
- Leveling Legs Installed

WORLD CLASS SERVICE | COMPREHENSIVE WARRANTIES
OUR LASTING COMMITMENT TO YOU

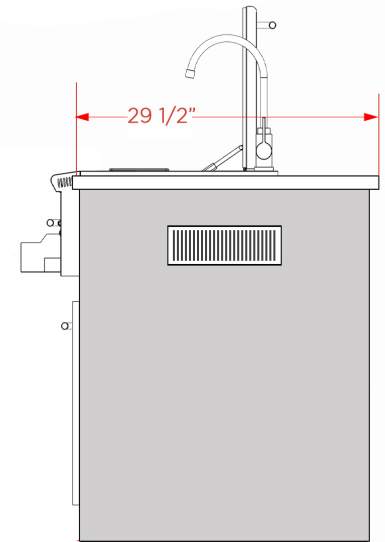
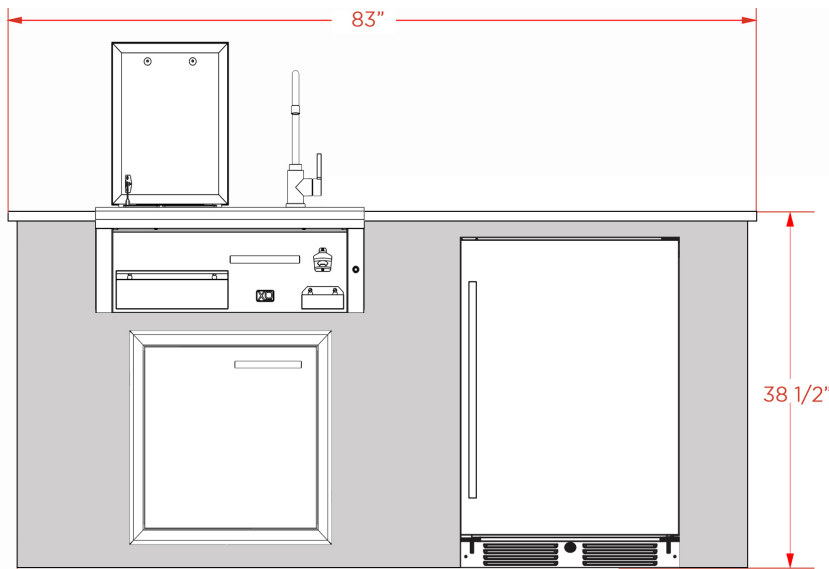
XOGOKBARV1

PRO-GRADE DESIGNER ISLAND

Available in 3 colors: Black, White and Grey



(shown with appliances sold separately)



DESIGNED FOR THESE APPLIANCES



XOGOKBARV1

- SS Ice bin cover
- Chilled Bins for Garnishes
- Convenient Speed Rail
- Towel Bar/Bottle Opener
- Blue LED Bullnose Lighting



XOG24DOOR

- 304 Stainless Steel
- 24" Access Door
- Specify Left or Right Hinge



XOU24ORS

- Shelves Extend While Loaded
- Holds up to 145 (12oz) Cans
- Adjustable Shelves
- Tri-Color LED Interior Lighting

SPECIFICATIONS

DIMENSIONS 83"W x 29 1/2"D x 38 1/2"H

WEIGHT Approx 400lbs without appliances

ELECTRICAL

Installation requires an outdoor 120v GFI electrical outlet adjacent to product

OPTIONAL ACCESSORIES

Heavy Duty Castors **XOGOKCASTORS**

FACTORY ASSEMBLED - APPLIANCE READY

30" Cocktail Station **XOG30BARPRO**

24" Access Door **XOG24DOOR**

24" Outdoor Refrigerator **XOU24ORSR**

ISLAND ARRIVES PRE-ASSEMBLED WITH CUTOUTS AS SHOWN READY FOR APPLIANCE INSTALLATION. ISLAND COMES WITH LEVELING LEGS.

PENETRATIONS MUST BE MADE FOR ELECTRICAL AND GAS ON SITE. APPLIANCE INSTALL REQUIRES CUTTING ACCESS FOR UTILITIES (GAS, ELECTRIC, ETC) IN THE ISLAND.