

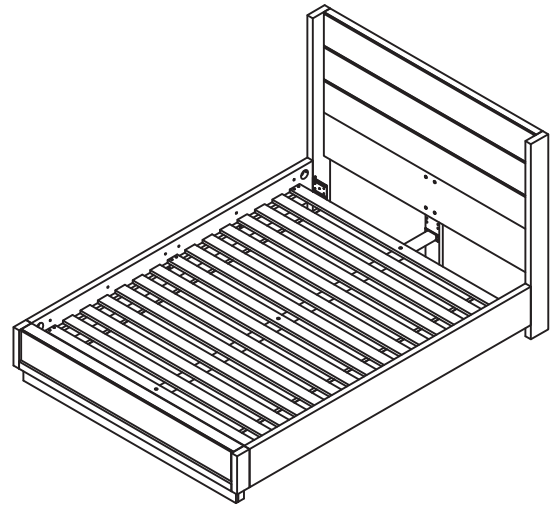
Queen Bed Rails

IMPORTANT

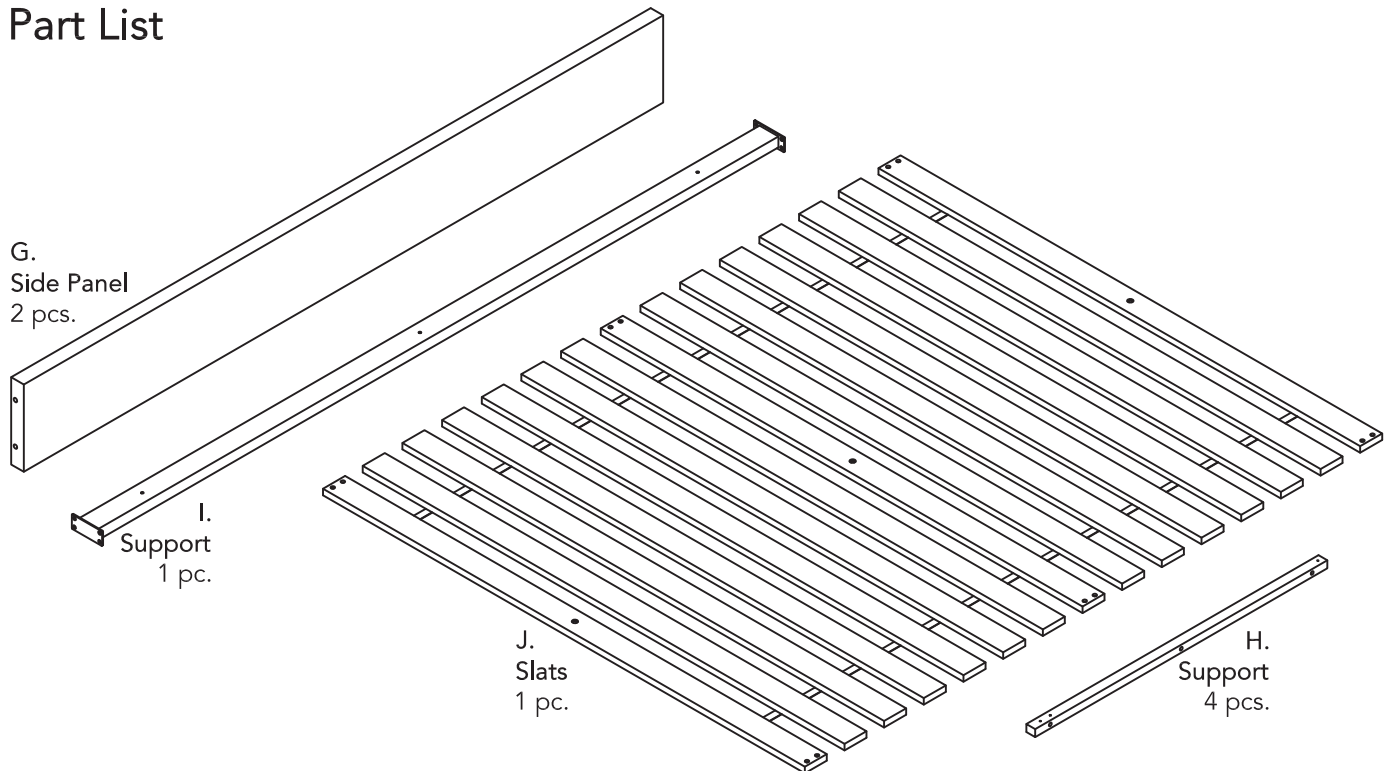
Carefully remove all the parts from the carton and place them individually on a soft cloth to prevent scratches or other damage.

Carefully and strictly follow these assembly instructions to ensure a completed product as designed.

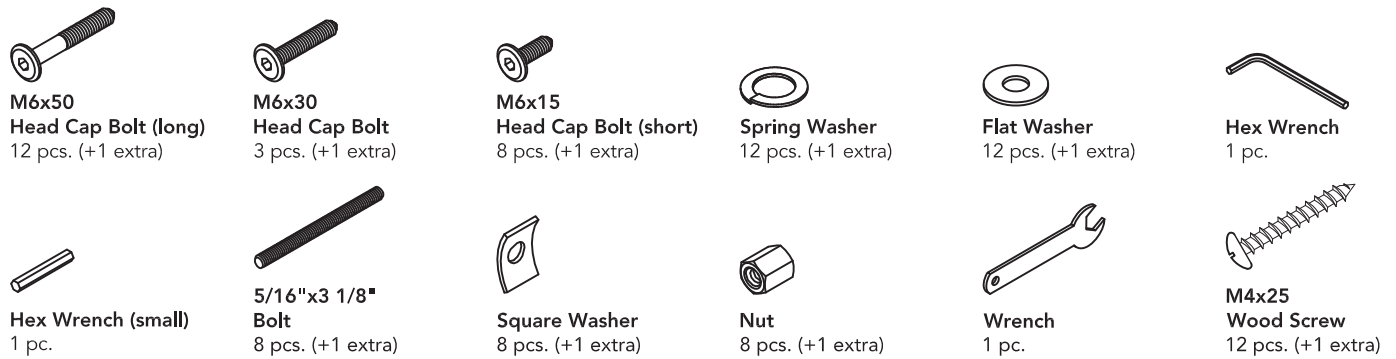
Do not use power tools above 8 volts to assemble.



Part List



Hardware List



Cartons 20 05506 0501 and 0502 are also needed for assembly.

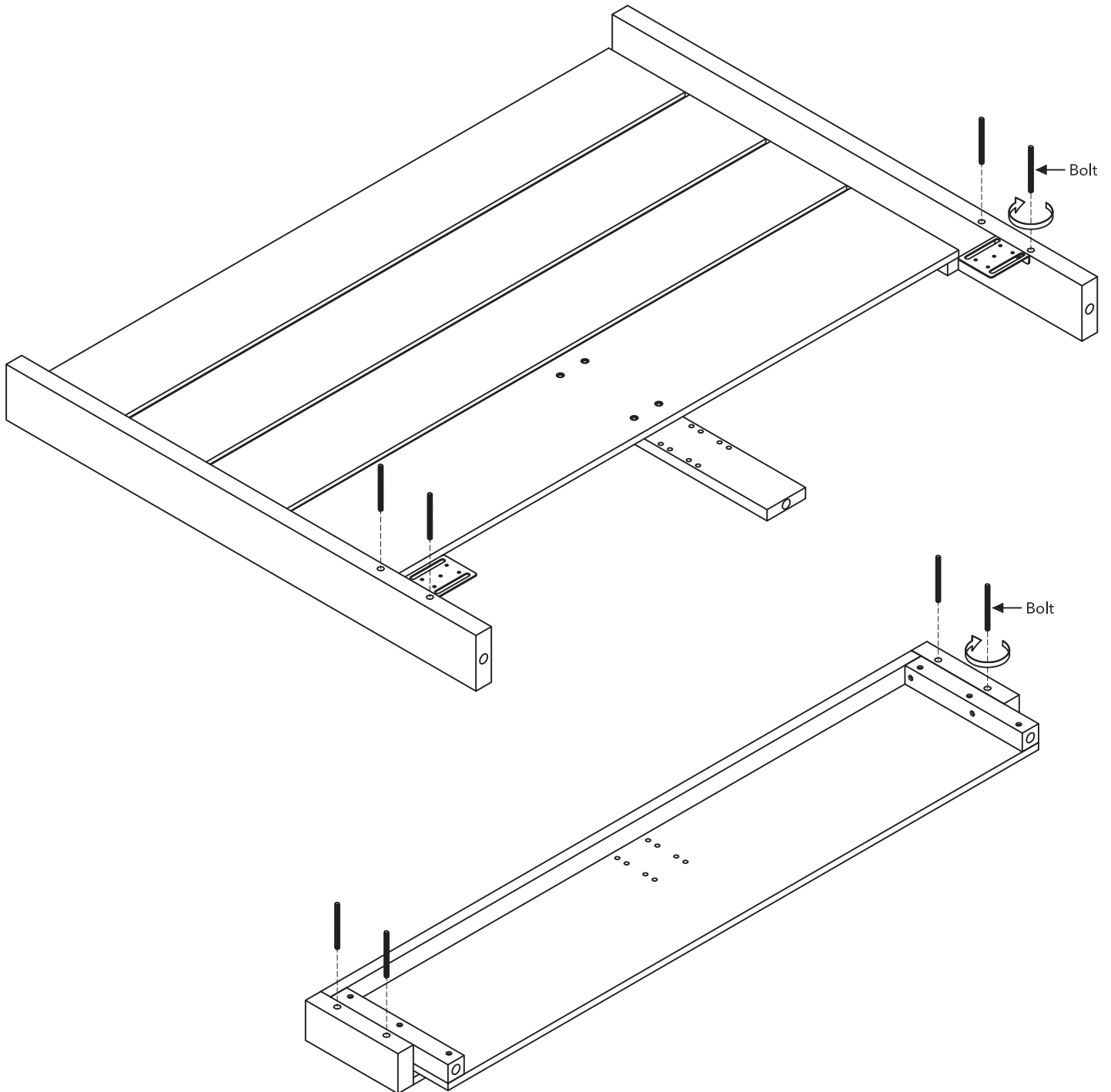
Tool(s) required for assembly: Phillips screwdriver

Home Styles Customer Service: www.homestyles-furniture.com,
servicedesk@homestyles-furniture.com, 888-680-7460, 877-831-0319

Assembly Instructions 2/6

IMPORTANT

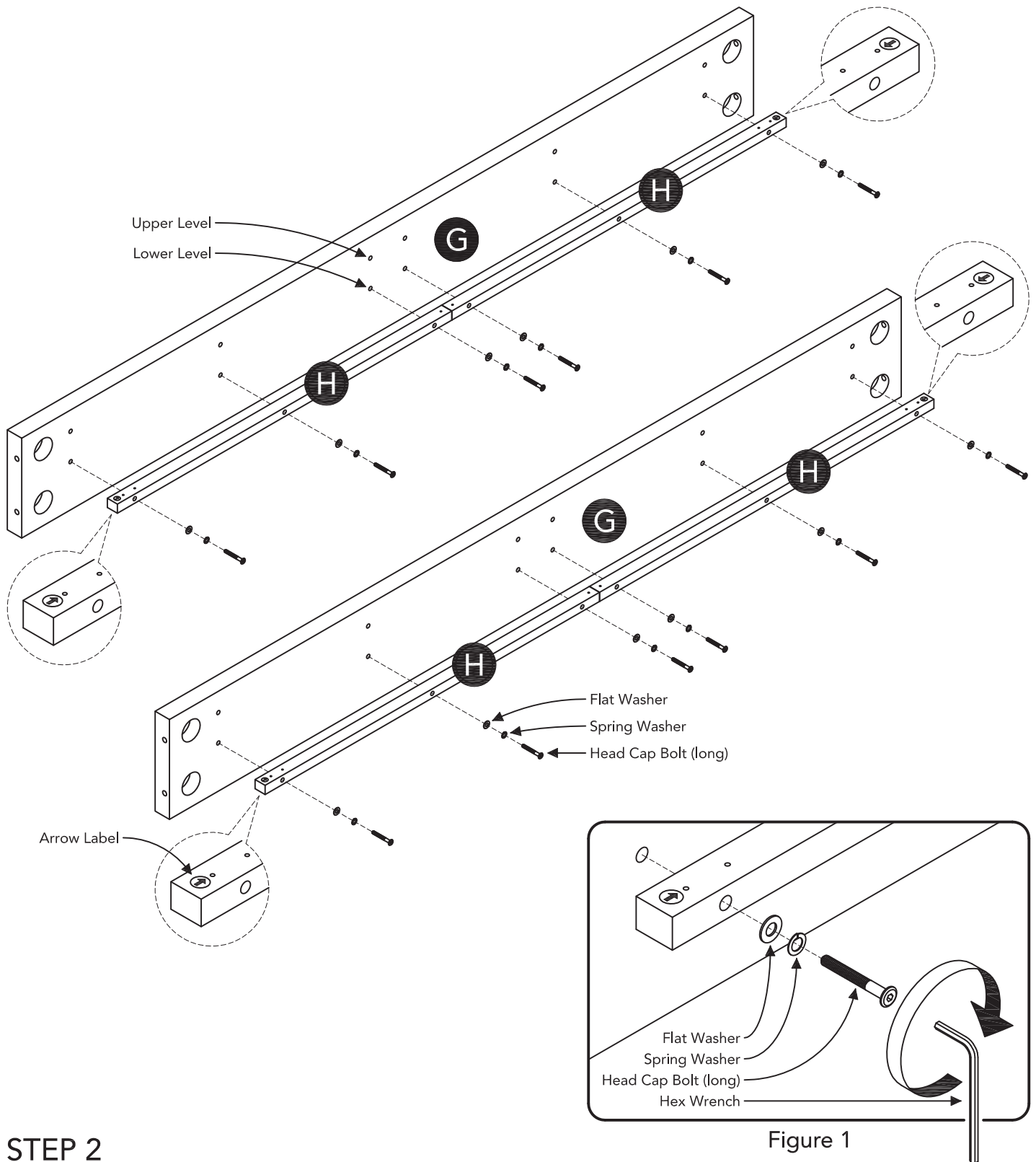
- Use a soft cloth between these parts and the floor.
- Do not use power tools above 8 volts to assemble.
- Do not tighten all the screws until each part is properly assembled.
- Keep Hex Wrench and Wrench as the Bolts and Nuts may need to be tightened in the future.
- Do not slide bed on floor. To move assembled bed requires two people. Remove any bedding, then lift and carry bed.



STEP 1

Insert Bolts into pre-drilled holes in Headboard and Footboard, then tighten.

Assembly Instructions 3/6



STEP 2

Note: Supports (H) can be attached at two different levels.
Upper level is for use with a mattress.
Lower level is for use with a box spring and mattress.

Orientate Supports (H) so Arrow labels point to the inside, then attach Supports (H) to Side Panels (G) at desired level with Head Cap Bolts (long), Spring Washers and Flat Washers.

Tighten Head Cap Bolts (long) with Hex Wrench. (See Figure 1)

Assembly Instructions 4/6

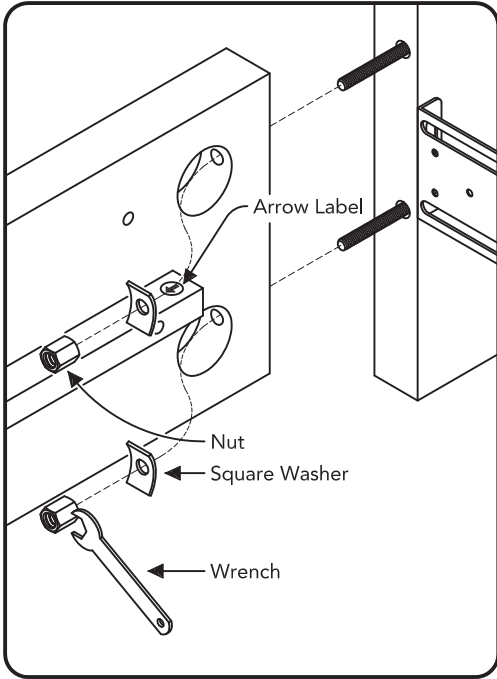
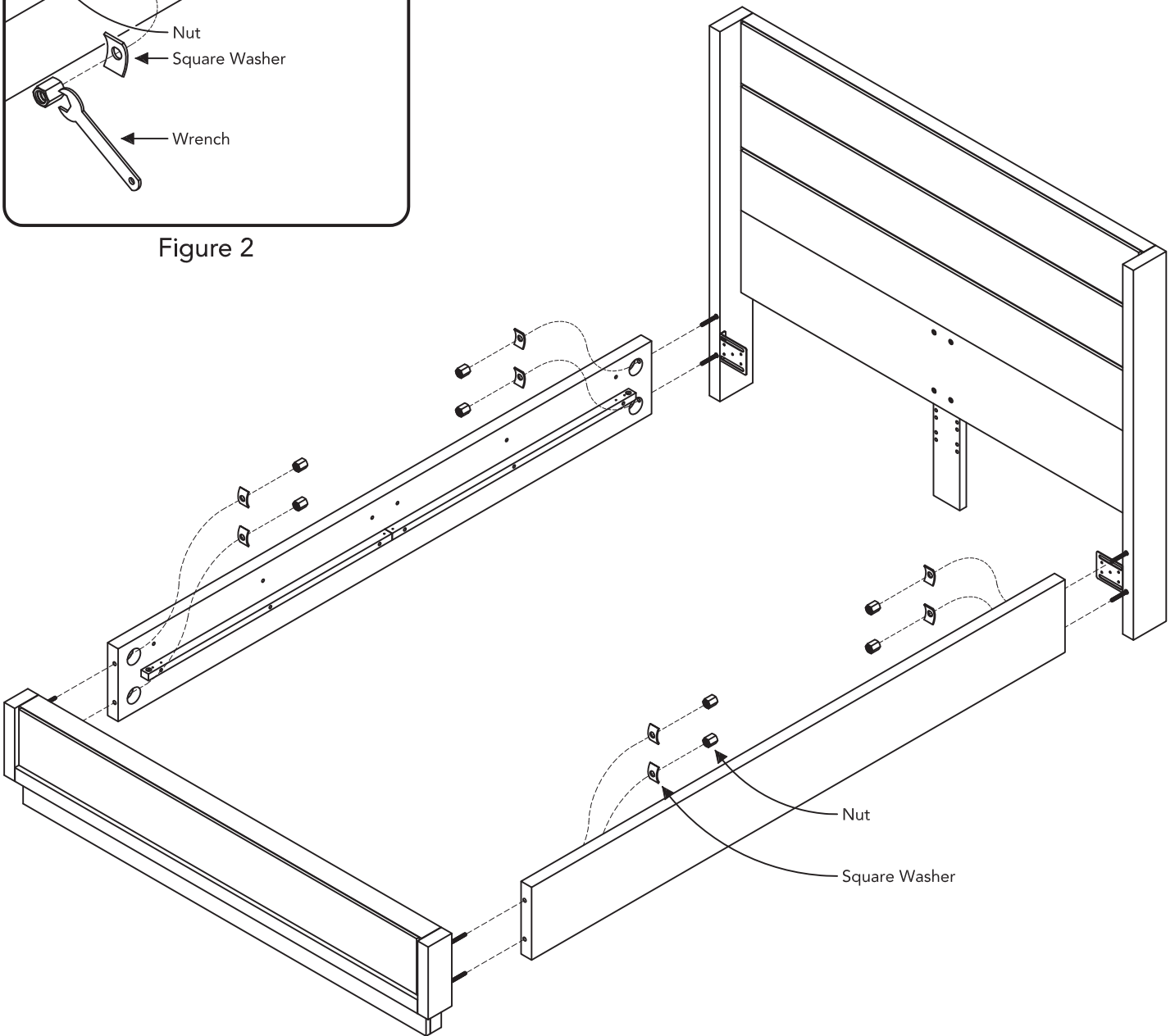
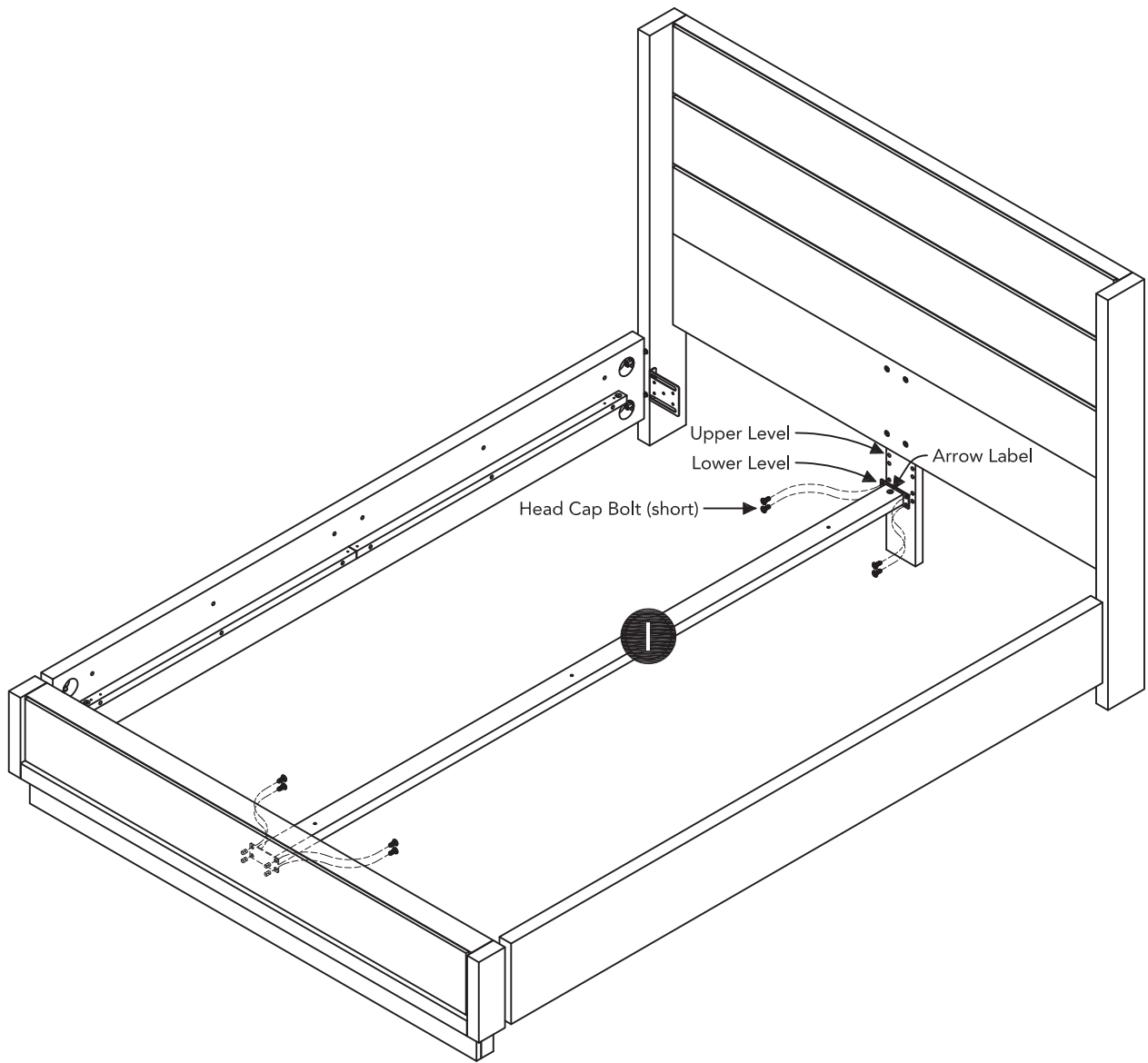


Figure 2



STEP 3

Assemble side panels to Headboard and Footboard with Square Washers and Nuts, tightening Nuts only halfway. (See Figure 2)



STEP 4

Note: Support (I) can be attached at two different levels.
 Upper level is for use with a mattress.
 Lower level is for use with a box spring and mattress.

Orientate Support (I) so Arrow label points to Headboard, then attach Support (I) to unit at desired level with Head Cap Bolts (short), tightening Head Cap Bolts (short) only halfway. (See Figure 3)

Tighten Nuts and Head Cap Bolts (short) used in Steps 3 and 4.

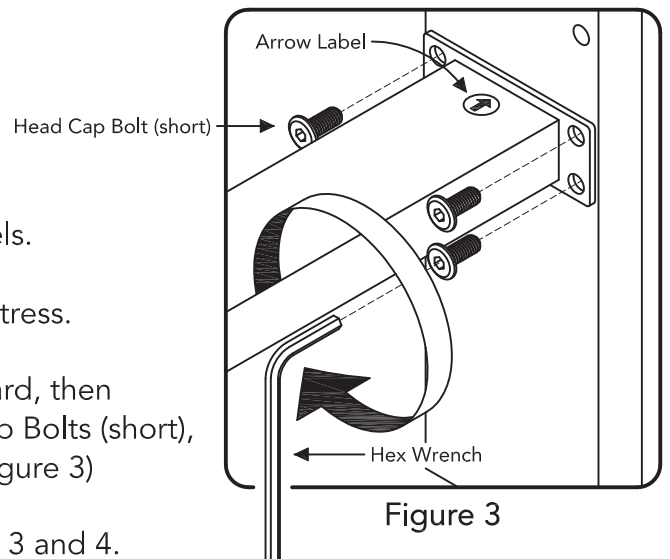


Figure 3

Assembly Instructions 6/6

STEP 5

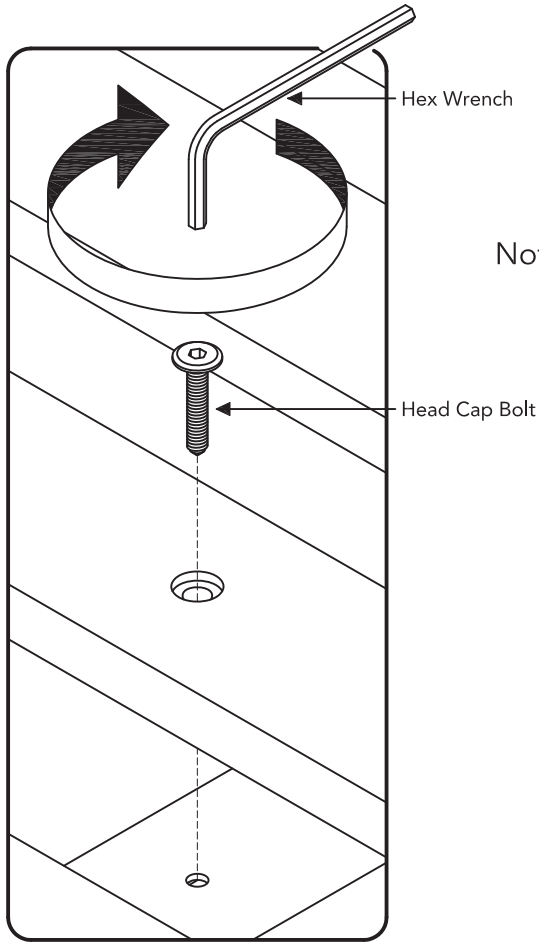
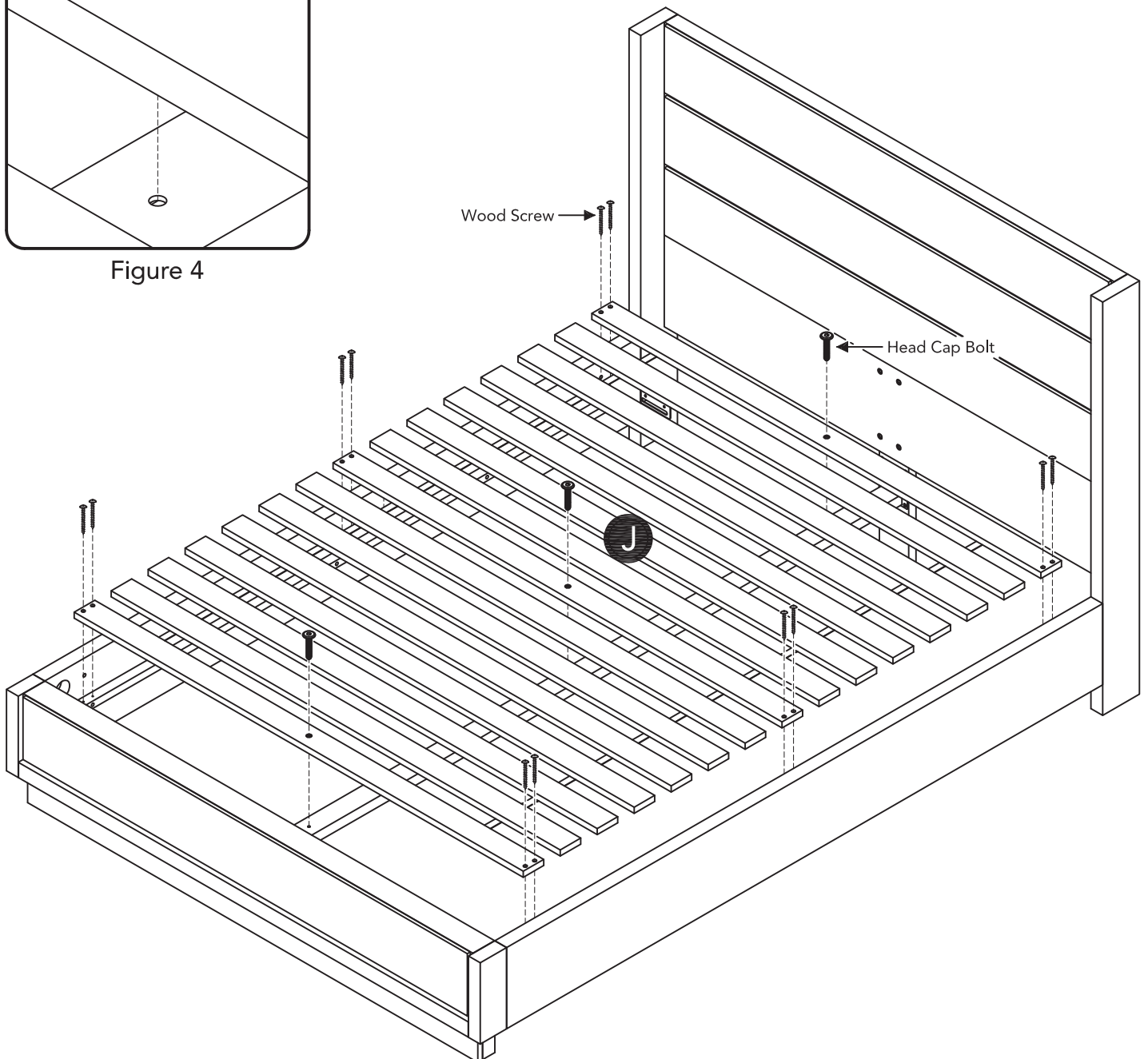


Figure 4

Attach Slats (J) to unit with Head Cap Bolts and Wood Screws.

Tighten Head Cap Bolts with Hex Wrench. (See Figure 4)

Note: Do not slide bed on floor. To move assembled bed requires two people. Remove any bedding, then lift and carry bed.



CARE INSTRUCTIONS

NEVER

allow liquids to remain on furniture.
Absorption causes parts to warp
and split and finishes to delaminate.

NEVER

use glass cleaners on
finished furniture. Ammonia
chemically attacks the finish.



Do not use power tools
above 8 volts to assemble.

**PREVENT
CRACKING**



Do not place
in direct sunlight.

**PREVENT
FADING**



Do not write
directly on surface.

**PREVENT
MARKING**



Do not place hot
objects on surface.

**PREVENT
FINISH DAMAGE**



Do not use rubber
based placemats.

**PREVENT
DISCOLORING**



Do not use commercial
waxes and polishes.

**PREVENT
YELLOWING**

CLEAN

with a soft cloth moistened
in lukewarm soap and water.
Buff with a dry clean cloth.



Home Styles will provide replacements free of charge for missing or damaged hardware or parts within 30 days of purchase. Digital images of the defective parts may be required. If the product was not purchased from an authorized retail affiliate, Home Styles is under no obligation to provide replacement parts. Parts are not available for fully assembled items nor are parts available for sale. Replacements for missing or damaged hardware or parts may be requested at:

www.homestyles-furniture.com/customer-service/replacement-parts

Home Styles Customer Service: www.homestyles-furniture.com,
servicedesk@homestyles-furniture.com, 888-680-7460, 877-831-0319