

Echo™ Shower Valve & Trim

VALVE FEATURES:

- Pressure balancing and temperature regulating ceramic disc cartridge rated to work with shower heads down to 1.75 gpm
- Adjustable temperature limit stop
- Integral stops
- Includes rough-in plate
- ½" NPT Male & 1/2" Copper Sweat inlet
- 1/2" NPT Male & 1/2" Copper Sweat outlet

TRIM FEATURES:

- Transitional style
- Mounting plate with seals
- Metal handle
- Metal trim plate

STOCK FINISH:



PC

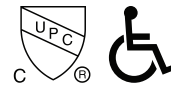
STANDARDS:

- ASME A112.18.1/CSA B125.1 certified
- Meets ASSE 1016
- ADA compliant

WARRANTY:

Visit www.speakman.com for full product warranty information

- 5 Year Limited



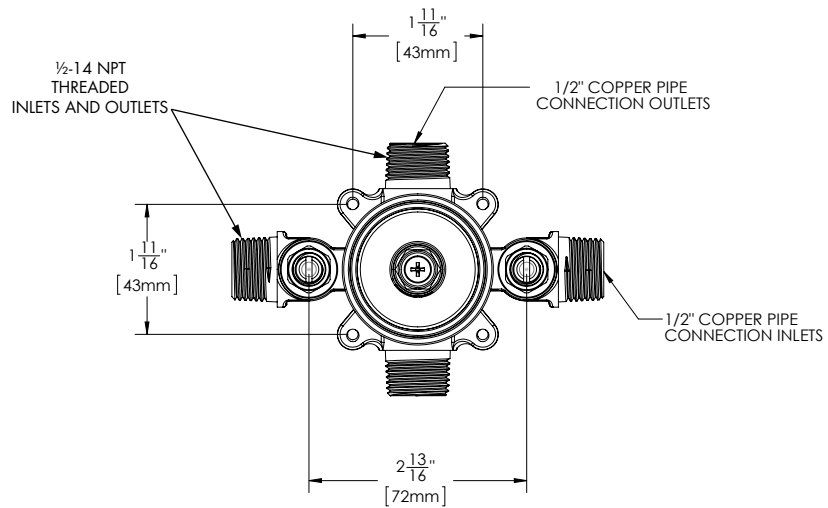
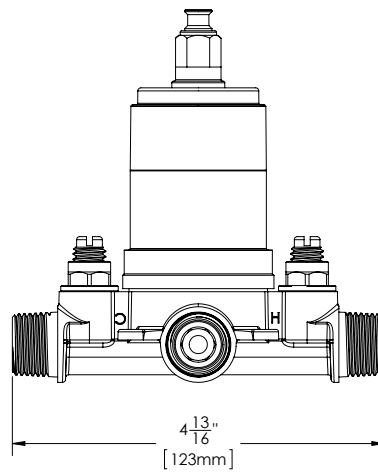
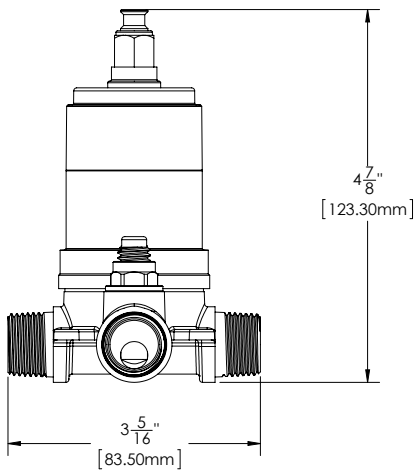
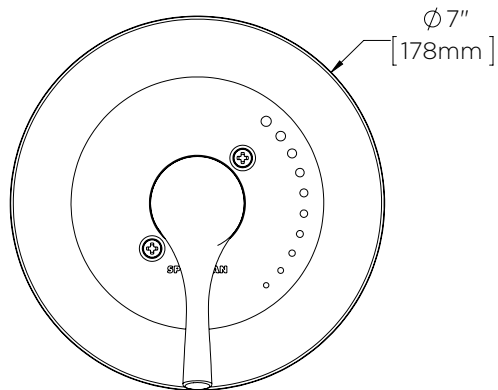
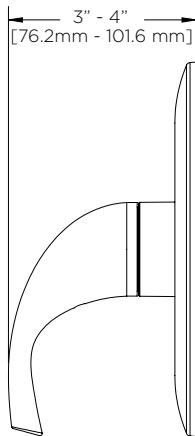
Information continues on next page

All dimensions are in inches (millimeters) unless otherwise specified and are subject to change without notice.

Architect/Engineer Approval Space:

P: 800-537-2107
F: 800-977-2747
W: WWW.SPEAKMAN.COM
R: 01-MAY 2022

Echo™ Shower Valve & Trim



All dimensions are in inches (millimeters) unless otherwise specified and are subject to change without notice.

Architect/Engineer Approval Space:

P: 800-537-2107
 F: 800-977-2747
 W: WWW.SPEAKMAN.COM
 R: 01-MAY 2022