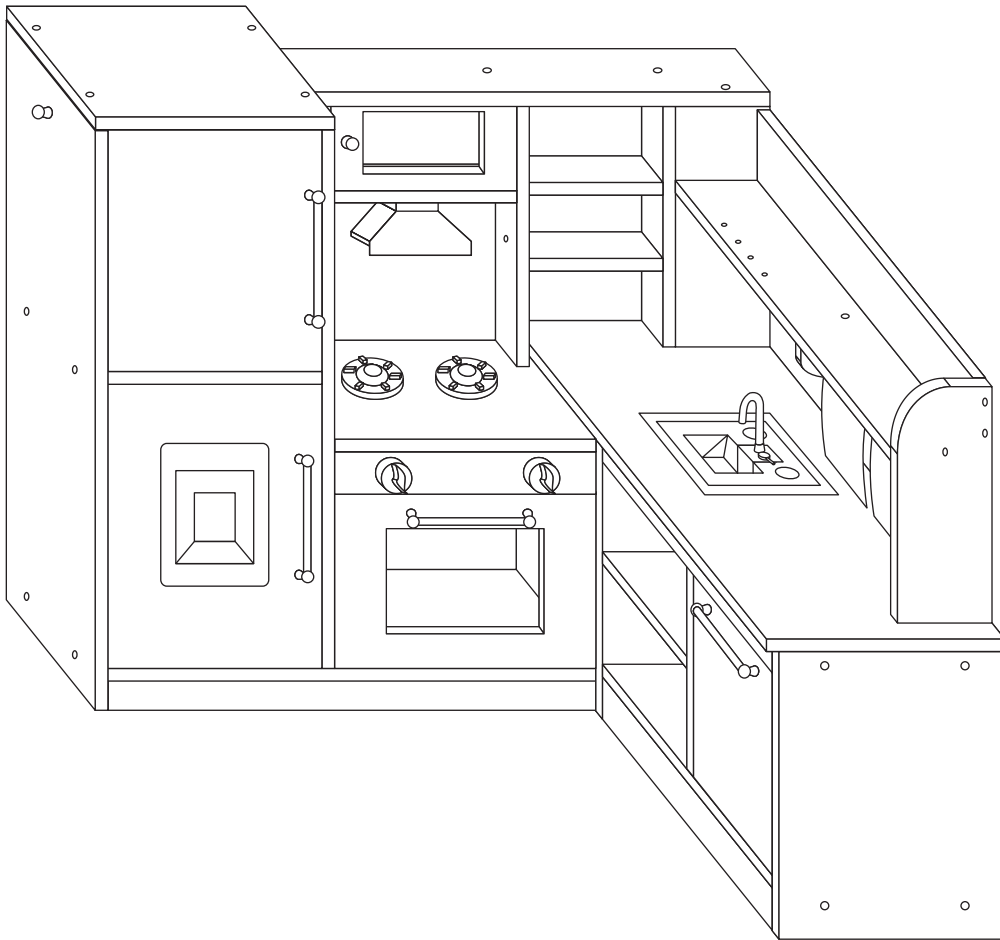





# SCRUMPTIOUS SOUNDS KITCHEN PLAYSET TZX-6421

Review all assembly and care information before using this product. Save this manual for future reference.  
**Assemble components on a soft, clean surface to avoid damaging the finish.**

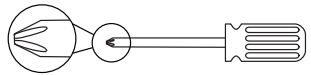


 Inspect packaging to ensure all parts are accounted for before disposing of packing materials.  
 Save the packing slip.

**REQUIRES (8) 'AAA' BATTERIES**  
(not included)



**TOOLS REQUIRED** (not included)



Phillips Screwdriver

**⚠ WARNING ⚠**

**CHOKING HAZARD** — This item contains small parts that can be swallowed. Keep children and pets away during assembly.

 **Not suitable for children under 3 years of age**

**IMPORTANT:** Read all use, care and safety information before allowing children to use this playset. Adult assembly required.

**⚠ WARNING:**  
Manufacturer and seller expressly disclaim any and all liability from personal injury, property damage or loss, whether direct or indirect, or incidental, resulting from the incorrect attachment, improper use, inadequate maintenance, or neglect of this product.

# COMPONENTS

<b>1</b> 	<b>2</b> 	<b>3</b> 	<b>4</b> 	<b>5</b> 	<b>6</b> 	<b>7</b> 						
<b>8</b> 	<b>9</b> 	<b>10</b> 	<b>11</b> 	<b>12</b> 	<b>13</b> 	<b>14</b> 						
<b>15</b> 	<b>16</b> 	<b>17</b> 	<b>18</b> 	<b>19</b> 	<b>20</b> 	<b>21</b> 						
<b>22</b> 	<b>23</b> 	<b>24</b> 	<b>25</b> 	<b>26</b> 	<b>27</b> 	<b>28</b> 						
<b>29</b> 	<b>30</b> 	<b>31</b> 	<b>32</b> 	<b>33</b> 	<b>34</b> 	<b>35</b> 						
<b>36</b> 	<b>37</b> 	<b>38</b> 	<b>39</b> 	<b>40</b> 	<b>41</b> 	<b>42</b> 						
<b>43</b> 	<b>44</b> 	<b>45</b> 	<b>46</b> 	<b>47</b> 								
<b>A: 63PCS</b> M4x35mm	<b>B: 19PCS</b> M4x16mm	<b>C: 47PCS</b> M3x8mm	<b>D: 4PCS</b> M4x8mm	<b>E: 4PCS</b> 	<b>F: 1PC</b> 	<b>G: 4PCS</b> M3x8mm	<b>H: 40PCS</b> M5x30mm	<b>I: 4PCS</b> 	<b>J: 8PCS</b> 	<b>K: 4PCS</b> 	<b>L: 2PCS</b> 	<b>M: 2PCS</b> 
<b>N: 2PCS</b> 	<b>O: 10PCS</b> 	<b>P1: 5PCS</b> 	<b>P2: 5PCS</b> 	<b>Q: 7PCS</b> 	<b>R: 4PCS</b> 	<b>S: 1PC</b> 	<b>T: 1PC</b> 	<b>U: 5PCS</b> M3x16mm	<b>V: 1SET</b> 			

# BATTERY INSTALLATION & OPERATION



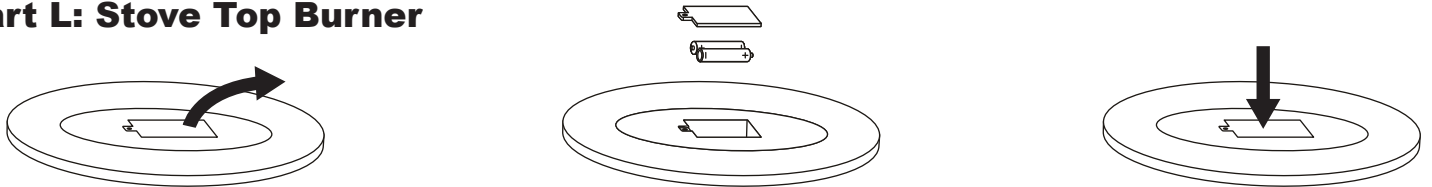
**RISK OF ELECTRIC SHOCK! NO USER-SERVICEABLE PARTS INSIDE!  
DO NOT ALLOW CHILDREN TO CHANGE BATTERIES.**

**ALWAYS** turn the range hood and faucet off while changing batteries. Failure to do so could result in electric shock. Do not change faucet batteries if the unit is wet.

***Install batteries (not included) and test operation before assembly.***

**TIP:** Use quality batteries for maximum operating time; low-quality batteries will need to be replaced more frequently.  
Do not mix new and old batteries. Do not mix alkaline, standard, or rechargeable batteries

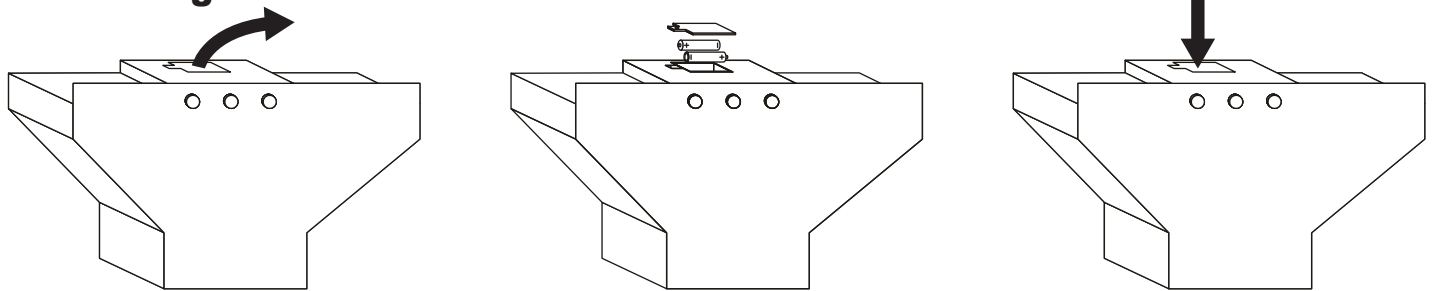
## Part L: Stove Top Burner



2 sounds: frying, boiling.

Set pot or pan accessory on the red button. Lights and sound will operate for a short time. Repeat to activate the next sound.

## Part S: Range Hood



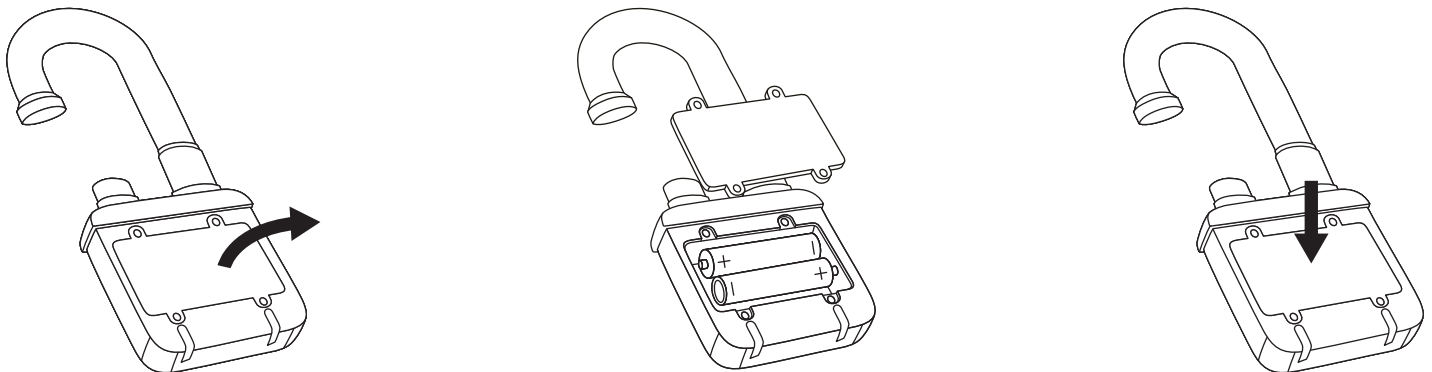
OPERATION:

Left Button: ON/OFF

Middle Button: Light

Right Button: Fan sound

**Part 47: Faucet** **IMPORTANT:** Ensure the battery cover is tightly secured. If it is loose, water could leak into the battery compartment and permanently damage the batteries and/or internal components.



Fill the sink with clean, room temperature water. Turn the handle on the faucet all the way to the left to activate the internal pump. **Ensure ONLY clean water is in the sink while the faucet is operating;** any food or debris in the water may enter the pump, which may cause it to clog and permanently damage the faucet.

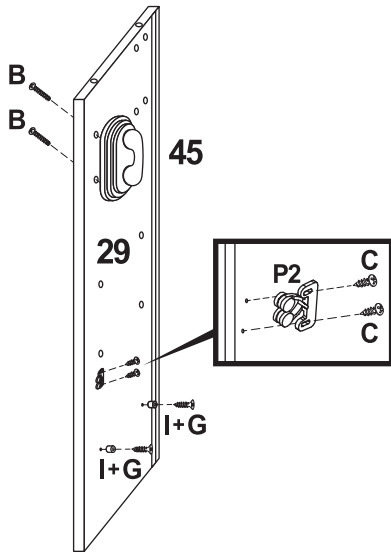
## **!**WARNING:

Manufacturer and seller expressly disclaim any and all liability from personal injury, property damage or loss, whether direct or indirect, or incidental, resulting from the incorrect attachment, improper use, inadequate maintenance, or neglect of this product.

# ASSEMBLY

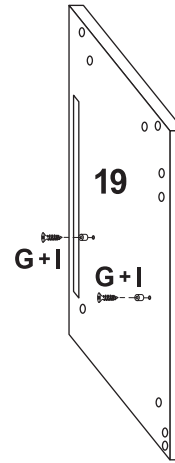
## STEP 1

- 29: 1
- 45: 1
- B: 2
- C: 2
- G: 2
- I: 2
- P2: 1



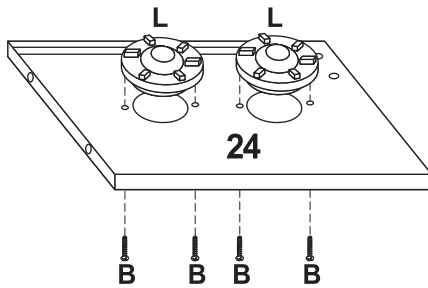
## STEP 2

- 19: 1
- G: 2
- I: 2



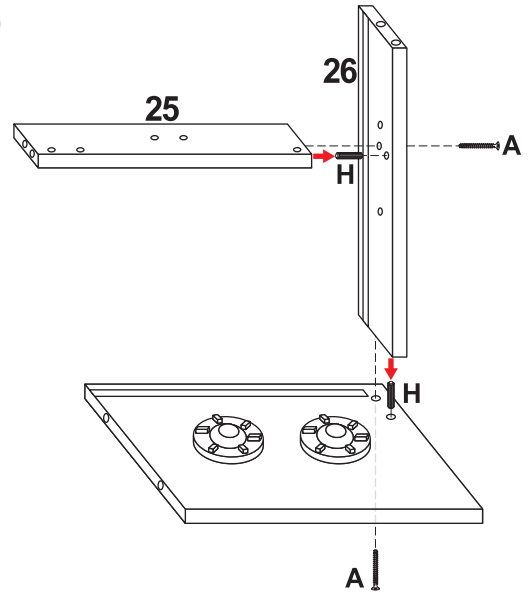
## STEP 3

- 24: 1
- B: 4
- L: 2



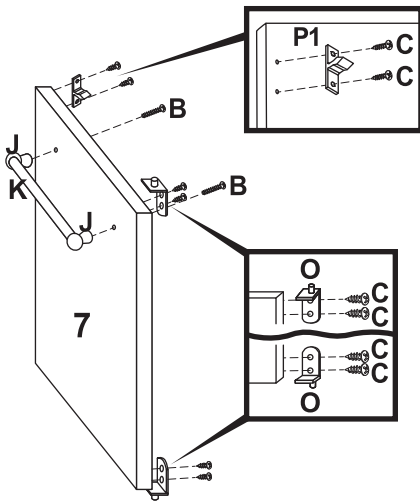
## STEP 4

- 25: 1
- 26: 1
- A: 2
- H: 2



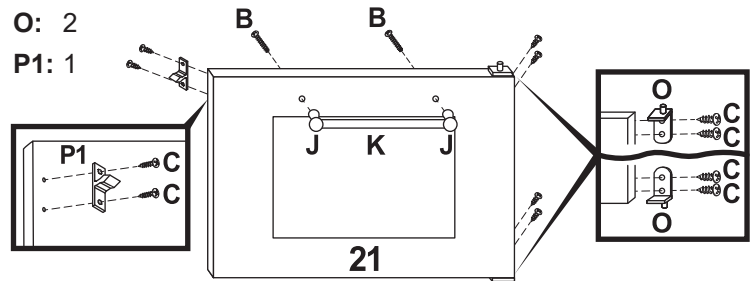
## STEP 5

- 7: 1
- B: 2
- C: 6
- J: 2
- K: 1
- O: 2
- P1: 1



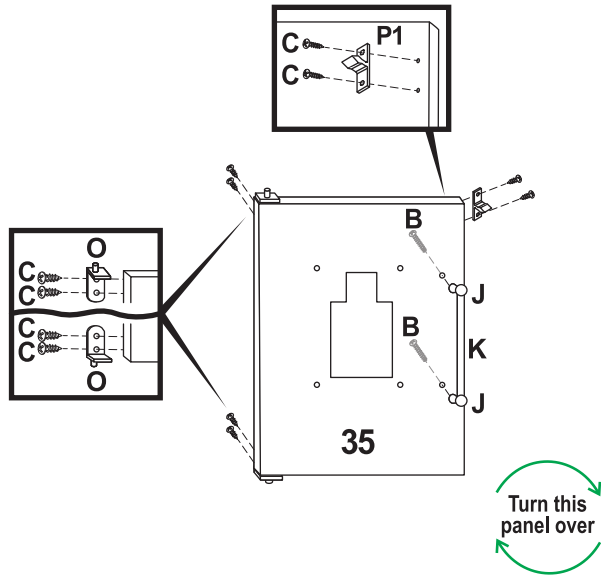
## STEP 6

- 21: 1
- B: 2
- C: 6
- J: 2
- K: 1
- O: 2
- P1: 1

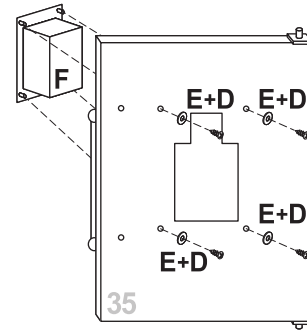


**STEP 7**

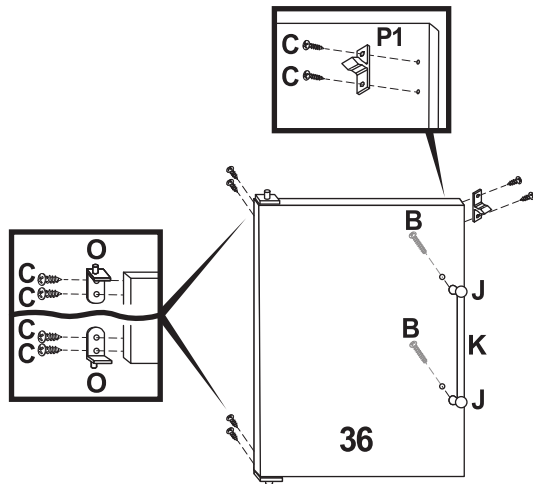
35: 1  
 B: 2  
 C: 6  
 J: 2  
 K: 1  
 O: 2  
 P1: 1

**STEP 8**

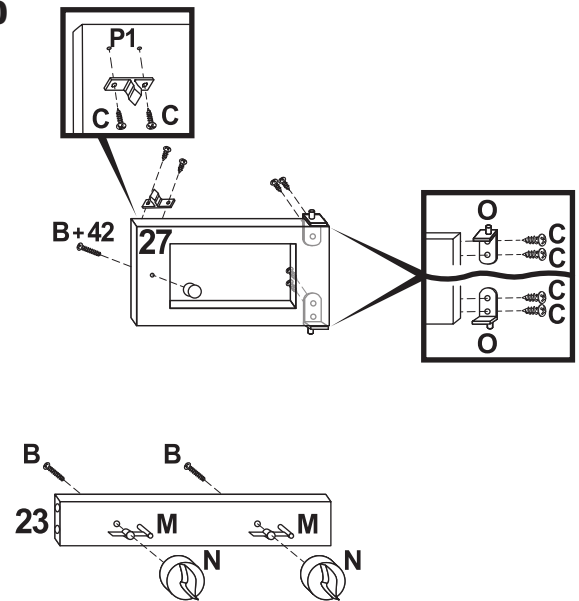
D: 4  
 E: 4  
 F: 1

**STEP 9**

36: 1  
 B: 2  
 C: 6  
 J: 2  
 K: 1  
 O: 2  
 P1: 1

**STEP 10**

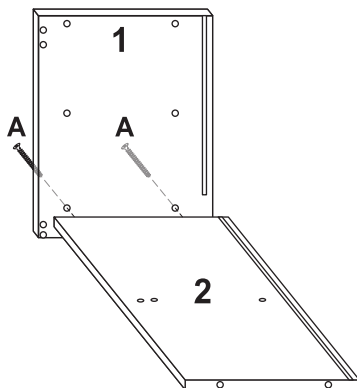
27: 1  
 42: 1  
 B: 1  
 C: 6  
 O: 2  
 P1: 1



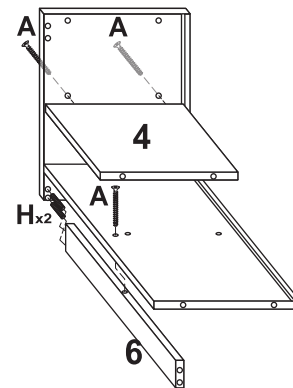
23: 1  
 B: 2  
 M: 2  
 N: 2

**STEP 11**

1: 1  
 2: 1  
 A: 2

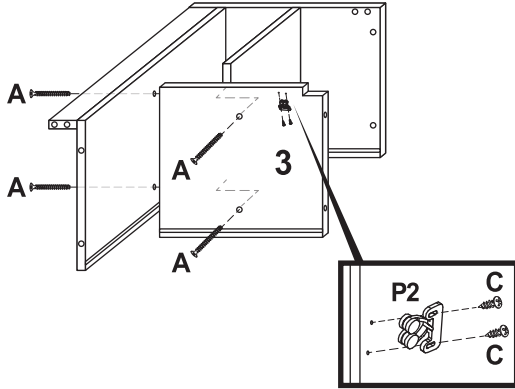
**STEP 12**

4: 1  
 6: 1  
 A: 3  
 H: 2

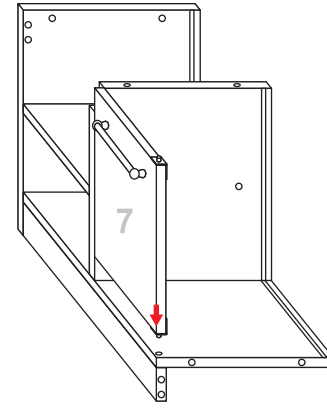


### STEP 13

3: 1  
A: 4  
C: 2  
P2: 1

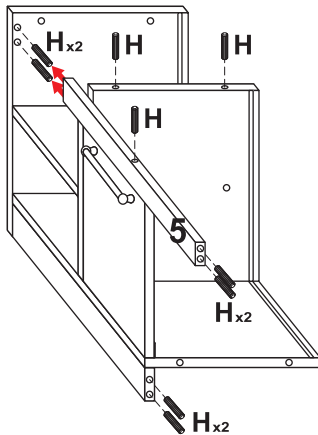


### STEP 14



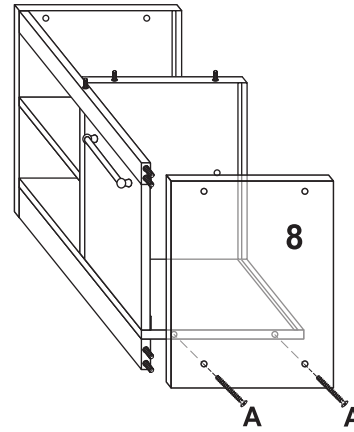
### STEP 15

5: 1  
H: 9



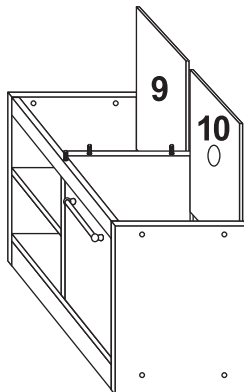
### STEP 16

8: 1  
A: 2



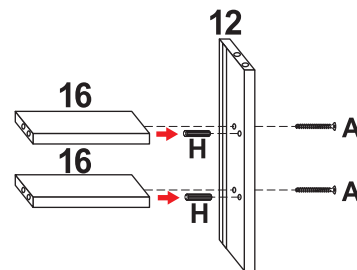
### STEP 17

9: 1  
10: 1



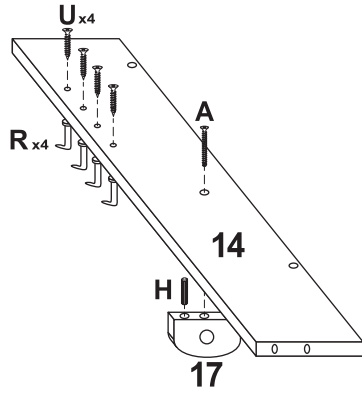
### STEP 18

12: 1  
16: 2  
A: 2  
H: 2



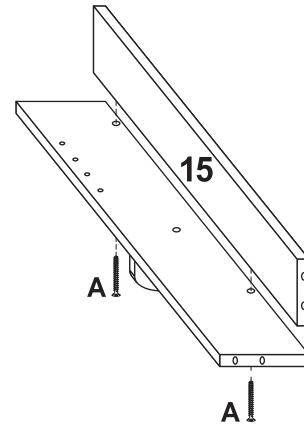
### STEP 19

14: 1  
17: 1  
A: 1  
H: 1  
R: 4  
U: 4



### STEP 20

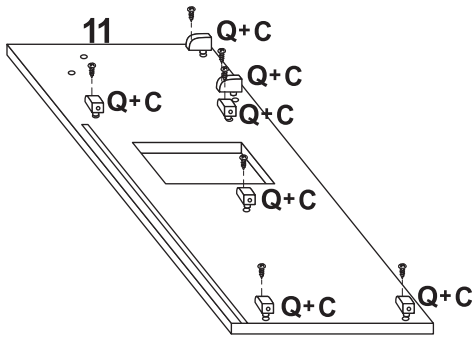
15: 1  
A: 2



### STEP 21

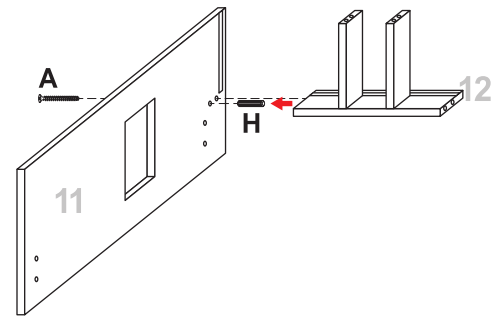
11: 1  
C: 7  
Q: 7

**IMPORTANT:** Ensure Part Q is fully inserted into the mounting hole.



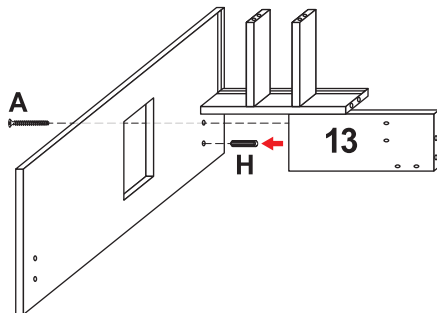
### STEP 22

A: 1  
H: 1



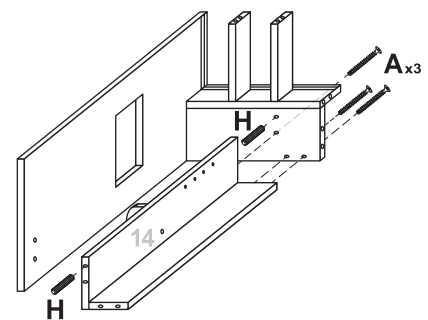
### STEP 23

13: 1  
A: 1  
H: 1



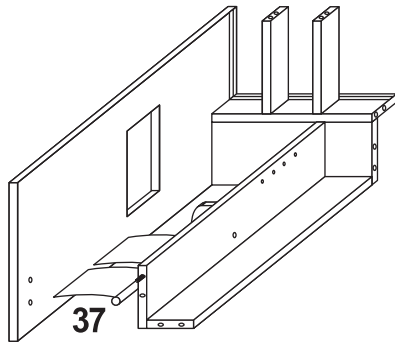
### STEP 24

A: 3  
H: 2



**STEP 25**

37: 1

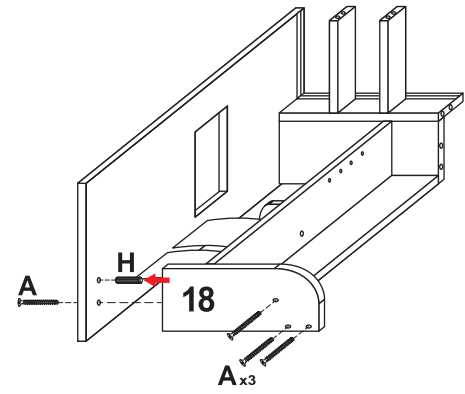


**STEP 26**

18: 1

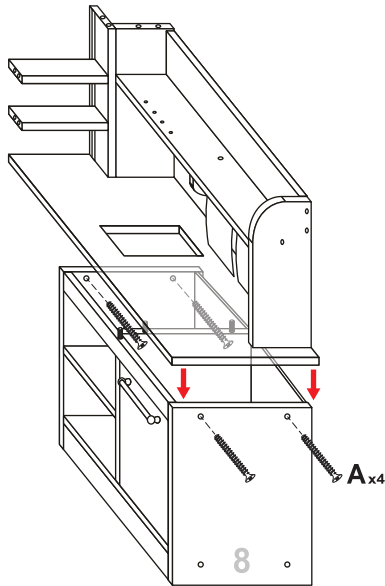
A: 4

H: 1



**STEP 27**

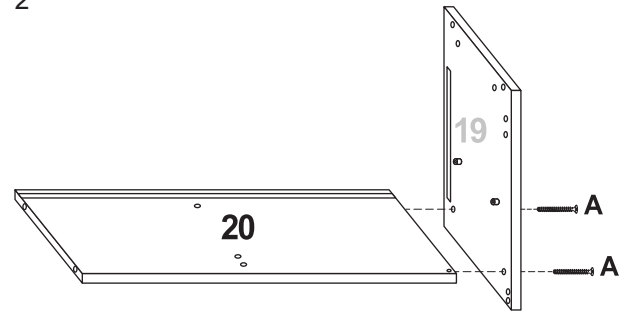
A: 4



**STEP 28**

20: 1

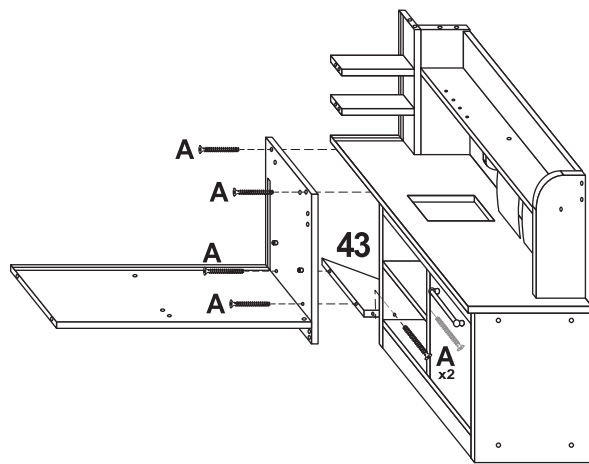
A: 2



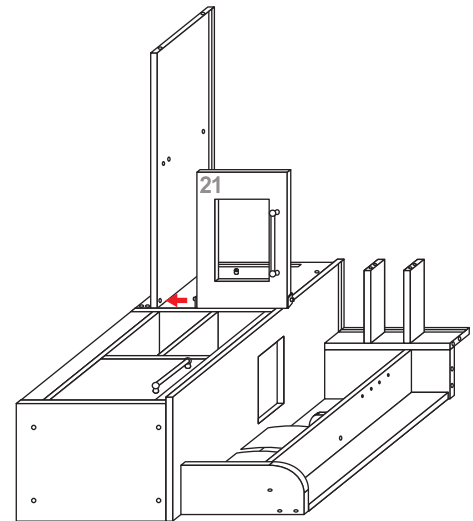
**STEP 29**

43: 1

A: 6



**STEP 30**

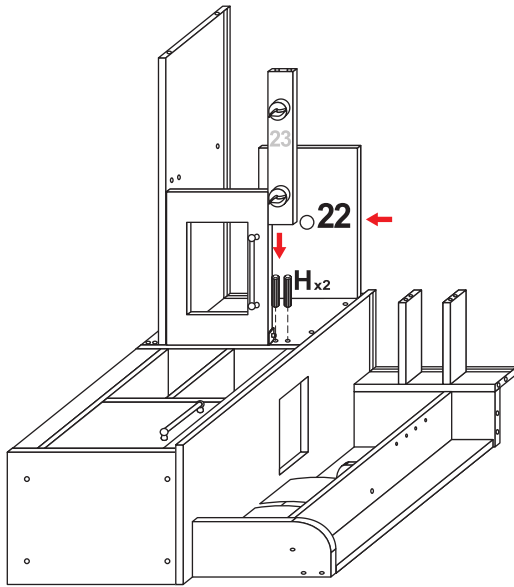




### STEP 31

22: 1

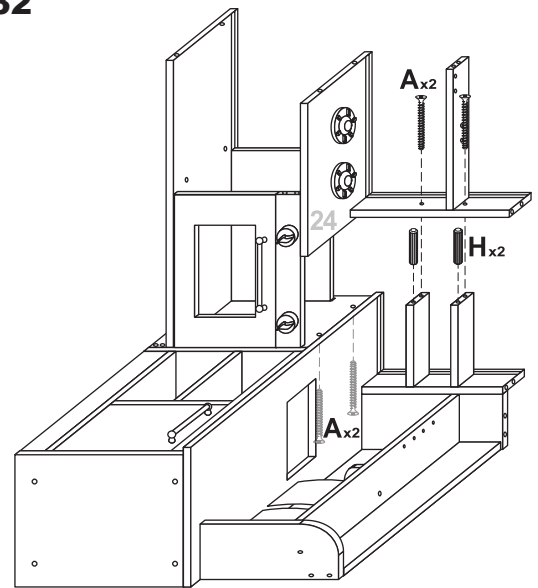
H: 2



### STEP 32

A: 4

H: 2

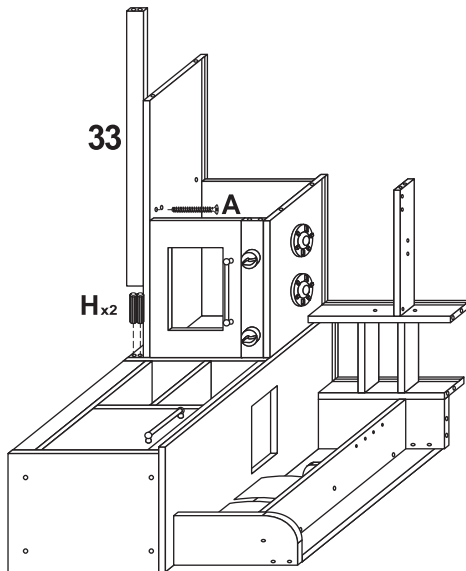


### STEP 33

33: 1

A: 1

H: 2



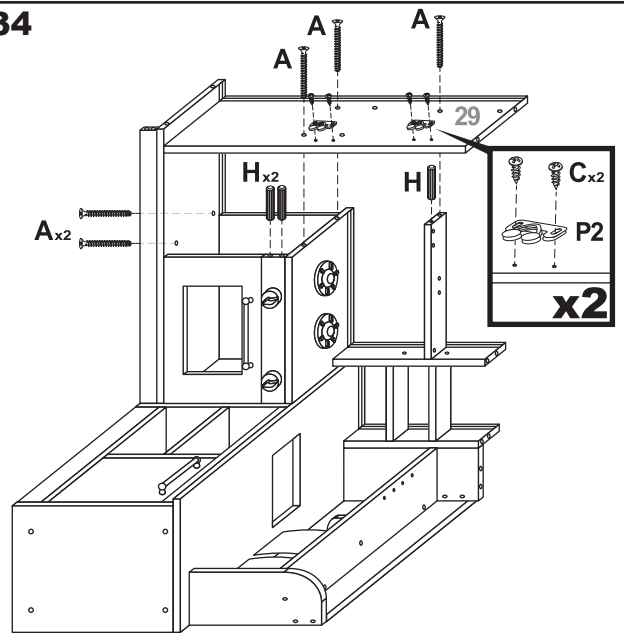
### STEP 34

A: 5

C: 4

H: 3

P2: 2

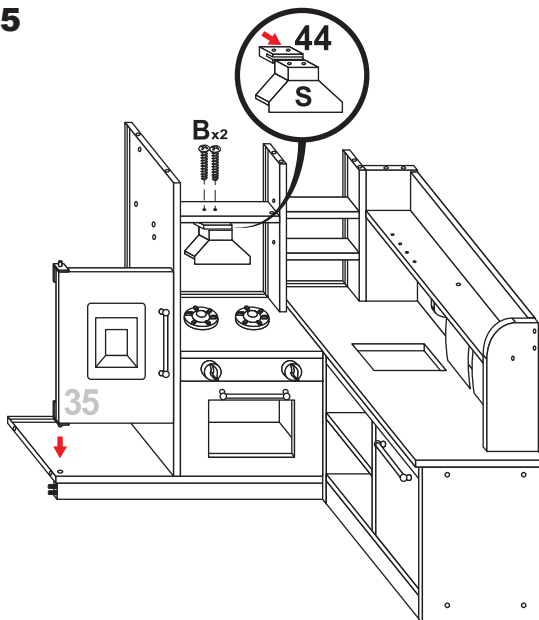


### STEP 35

44: 1

B: 2

S: 1

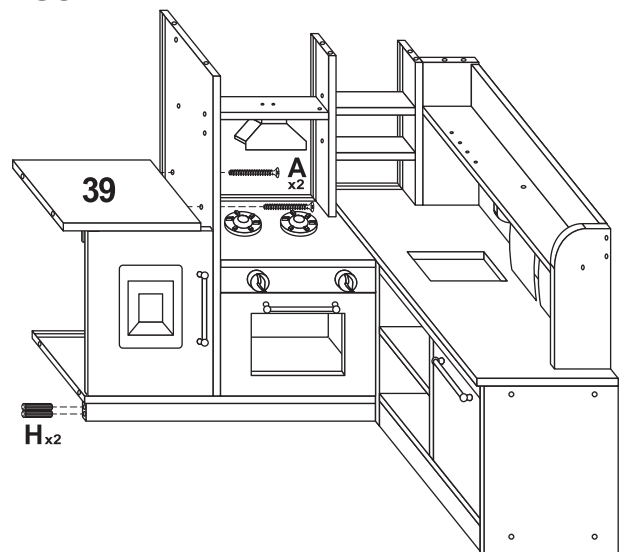


### STEP 36

39: 1

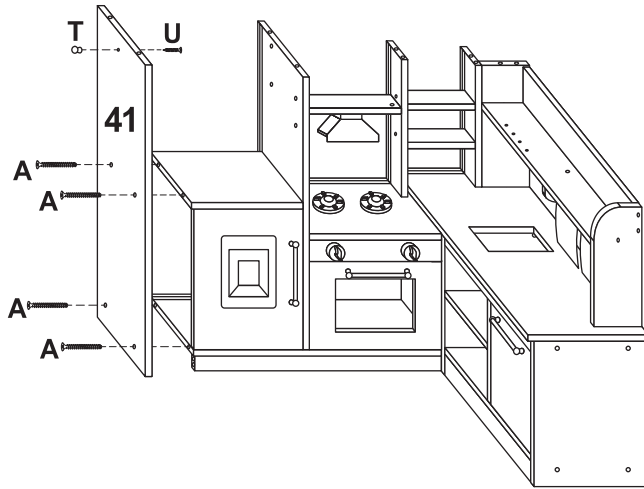
A: 2

H: 2



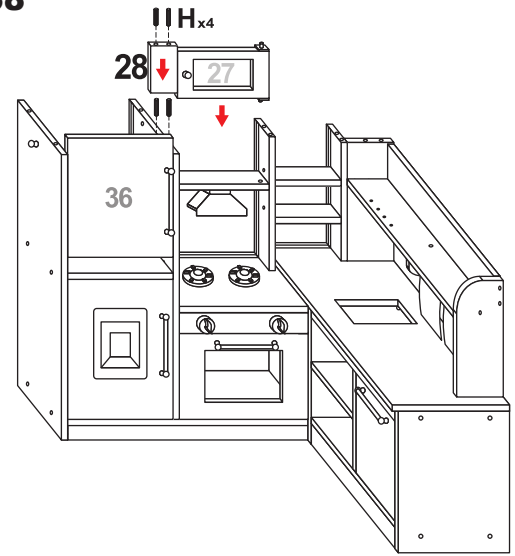
### STEP 37

41: 1  
A: 4  
T: 1  
U: 1



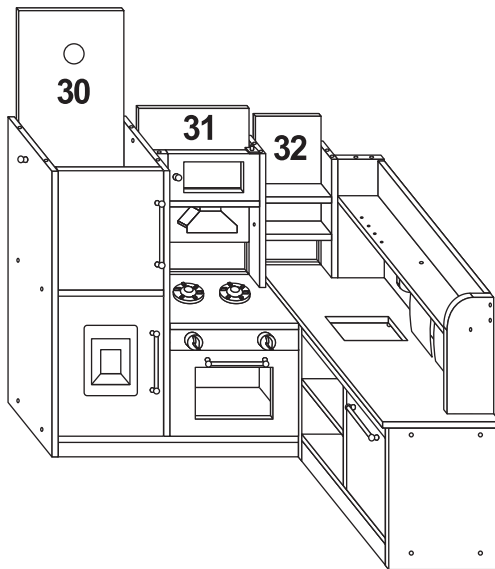
### STEP 38

28: 1  
H: 4



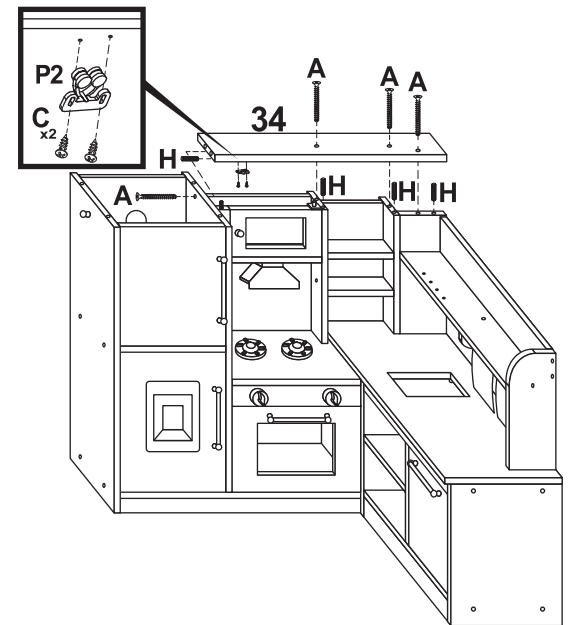
### STEP 39

30: 1  
31: 1  
32: 1



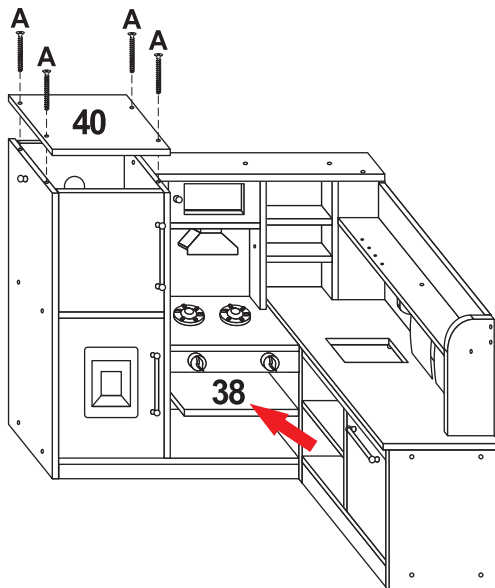
### STEP 40

34: 1  
A: 4  
C: 2  
H: 4  
P2: 1



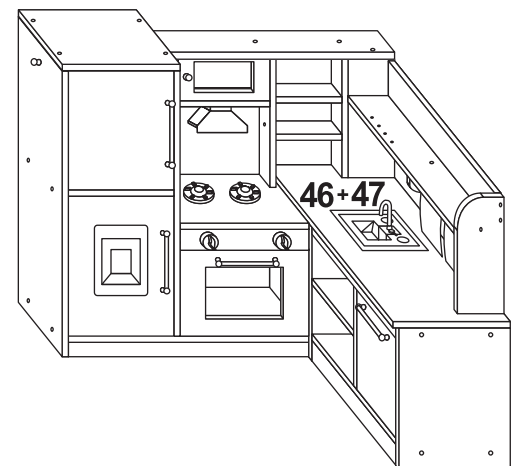
### STEP 41

38: 1  
40: 1  
A: 4



### STEP 42

46: 1  
47: 1



# Care & Maintenance



## **! WARNING: PREVENT TIP OVERS!**

- Do not allow children to pull, climb, sit, or stand on any part of the playset.
- Never place computers, televisions, or other heavy objects on the playset.
- The playset must be placed on a hard, flat, and level surface.
- If placing next to a wall, we recommend applying a stabilizing strap (not included).
- The playset must be assembled as instructed.

**SAFE USE:** Carefully review and follow all safety information.

**CARE:** Regular cleaning is recommended. Do not submerge battery-operated components in water. Frequently inspect the playset and accessories for damage; immediately dispose of damaged and broken components.

**CLEANING:** Wipe soiled surfaces with a damp cloth. Do not use harsh chemicals or abrasive materials to clean any part or accessory of this unit.

## **! SAFETY STATEMENTS & WARNINGS !**

- For indoor use only.
- Only use this unit on a hard, flat, and level surface.
- Not suitable for children under 3 years of age.
- Supervise children; do not allow children to pull, climb, sit, or stand on any part of the playset.
- Do not allow children to change the batteries.
- Frequently inspect assembly points to ensure components are properly connected. Do not allow children to play with damaged or broken equipment and/or accessories.
- Playset accessories not intended for use with real food.
- Do not place liquids or hot items directly on the unit.
- Never use chemicals or abrasive materials to clean the unit.
- Avoid long-term exposure to sunlight.
- Avoid placing the unit near heating or cooling vents, long-term exposure to forced air can damage the unit.
- Keep the unit a safe distance away from all heat sources such as, but not limited to, heat vents, gas or electric heaters, fireplaces, etc.
- Promptly remove expelled batteries. Do not mix old and new batteries. Mixing batteries could cause leakage of the acid inside batteries, damaging the unit.
- Remove batteries before the unit is stored or if it will not be used for a long period of time.
- Only use compatible batteries. Incompatible batteries may damage the unit and void the warranty.

**Any modification to the product or failure to follow recommended care will void the product warranty.**

*If you experience issues with assembly or the product was damaged during shipping, please contact our customer service team directly through one of the methods mentioned at the top of page 1.*

*Please have the item number and order information ready to expedite response time.*

## **! WARNING:**

**Manufacturer and seller expressly disclaim any and all liability from personal injury, property damage or loss, whether direct or indirect, or incidental, resulting from the incorrect attachment, improper use, inadequate maintenance, or neglect of this product.**