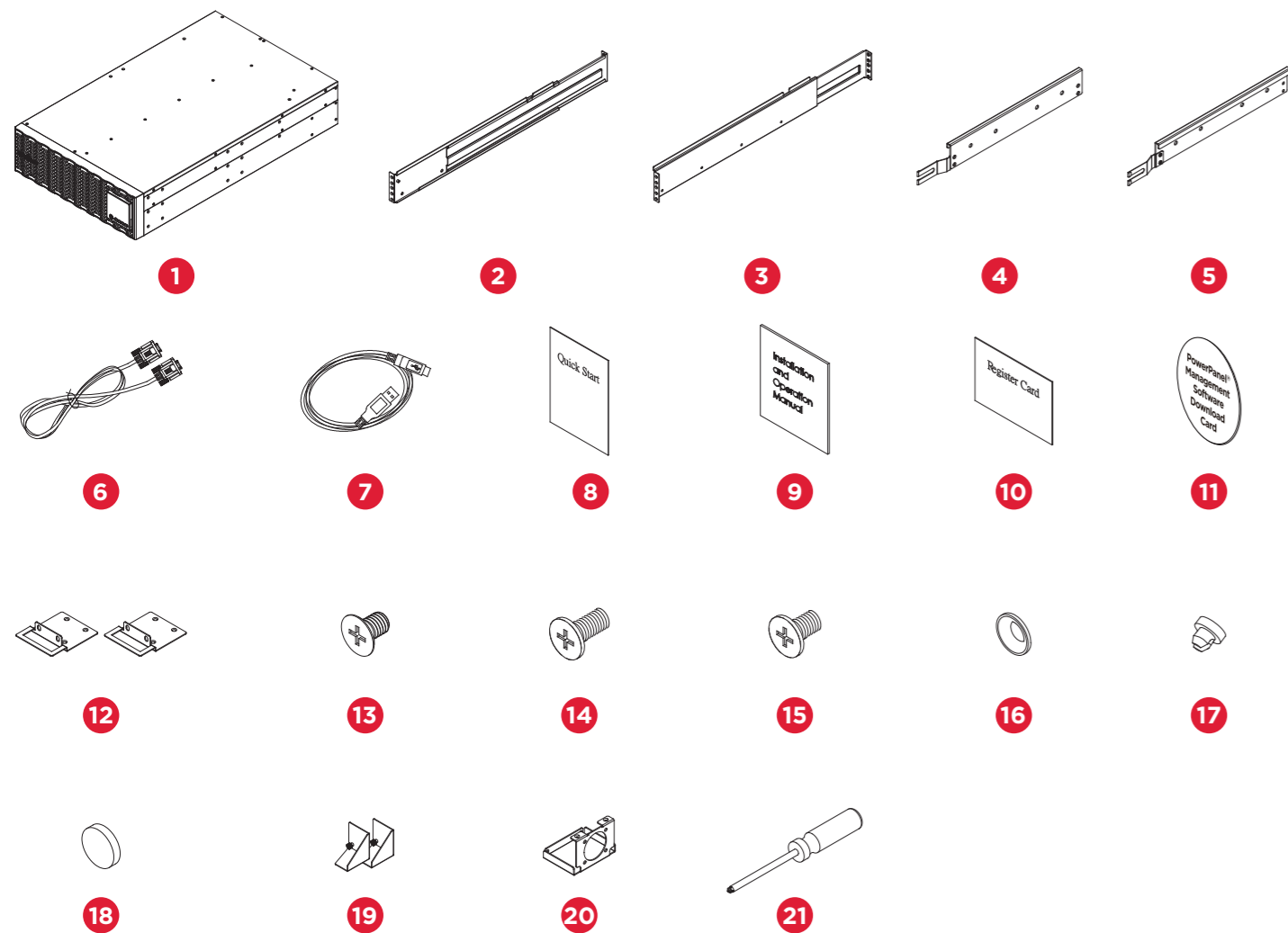


## OL5KRTHDL/OL6KRTHDL QUICK START GUIDE

### UNPACKING



ITEM	CONTENT	QTY	ITEM	CONTENT	QTY
1	UPS	1	12	Rackmount ears	2
2	Rackmount left rail	1	13	Black M5X7L Flat Head Screws	8
3	Rackmount right rail	1	14	Black M5X8L Pan Head Screws	12
4	Left hanging bracket	1	15	Silver M5X6L Pan Head Screws	6
5	Right hanging bracket	1	16	Plastic washers	8
6	Serial Interface Cable (RS-232)	1	17	Screw hole dust covers	18
7	USB communication cable	1	18	Rubber pads	12
8	Quick Start Guide	1	19	Stand	2
9	Installation and Operation Manual	1	20	Input bottom cover	1
10	Registration warranty card	1	21	Screwdriver	1
11	PowerPanel Management Software Download Card	1			

Need Additional Help? See Operation and Installation Manual provided and also available to download at [www.cyberpowersystems.com](http://www.cyberpowersystems.com).  
Still Need Help? Please contact our Tech Support department with installation, troubleshooting, or general product questions.

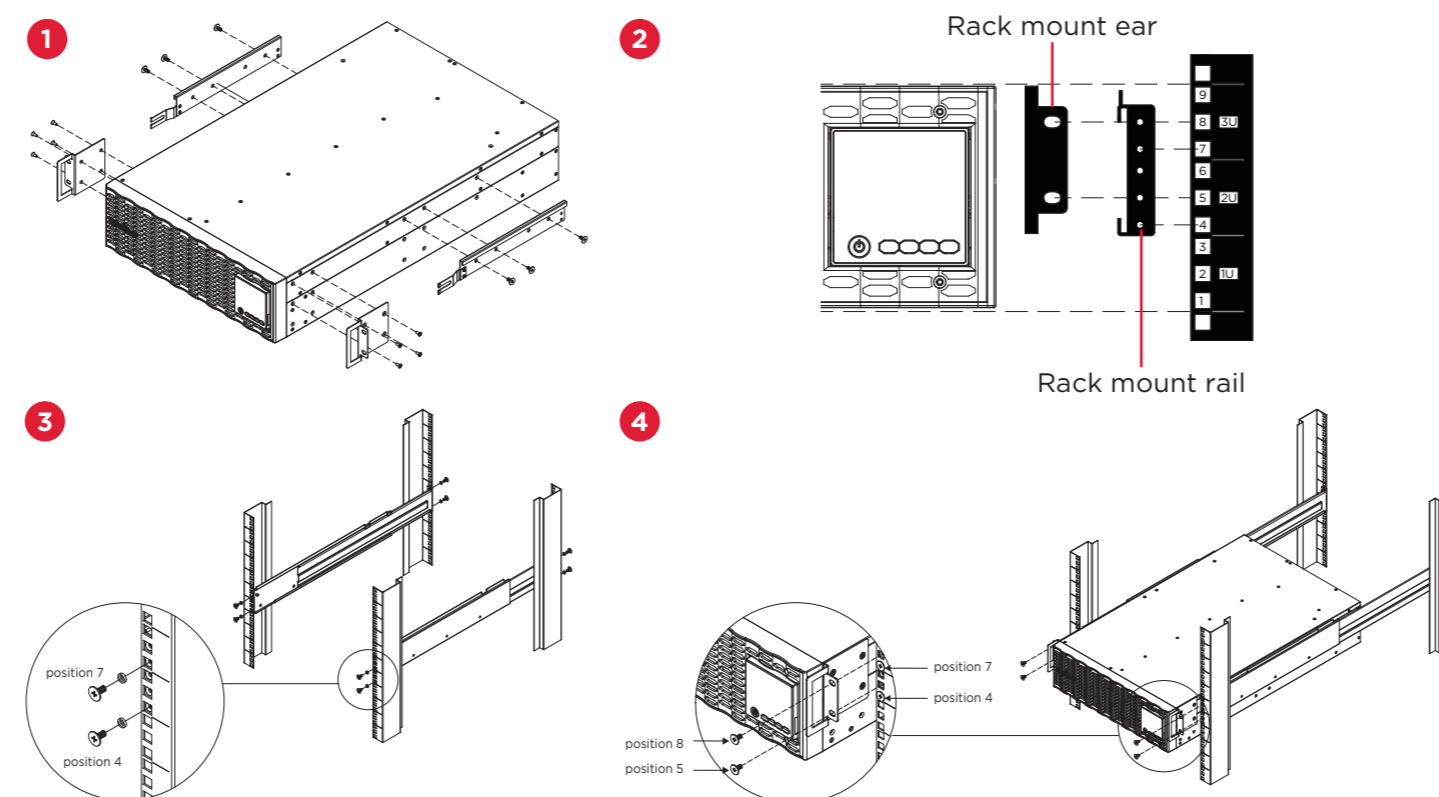
CyberPower Technical Support | 1-877-297-6937 | [tech@cpsww.com](mailto:tech@cpsww.com) | [cyberpowersystems.com](http://cyberpowersystems.com)  
4241 12th Avenue E, Suite 400, Shakopee, MN 55379, USA  
Hours of Operation: Monday - Friday, 7:00am - 6:00pm (CST)

This document is believed to be accurate, but CyberPower reserves the right to change or correct the contents and does not assume any responsibility for omissions or errors. Entire contents copyright © 2023 Cyber Power Systems, Inc. All rights reserved. Reproduction in whole or in part without permission is prohibited.

K01-0001041-00

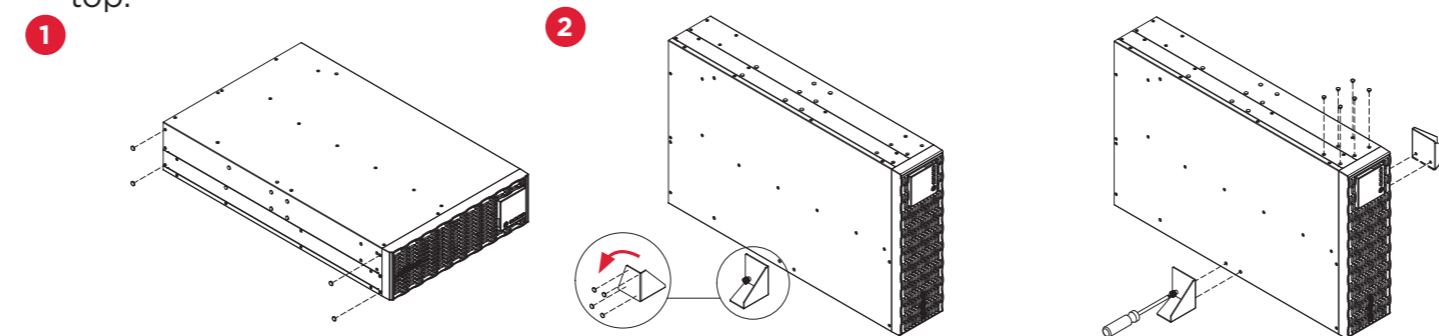
### RACKMOUNT INSTALLATION

1. Install rack mount ears using eight black M5X7L flat head screws and hanging brackets using six silver M5X6L pan head screws.
2. Locate space where the UPS will be installed in the rack.
3. Install rack mount rails using eight M5X8L pan head screws with plastic washers and adjust rails to necessary rack depth.
4. Place and secure the UPS on to the rack mount rails using four black M5X8L pan head screws.



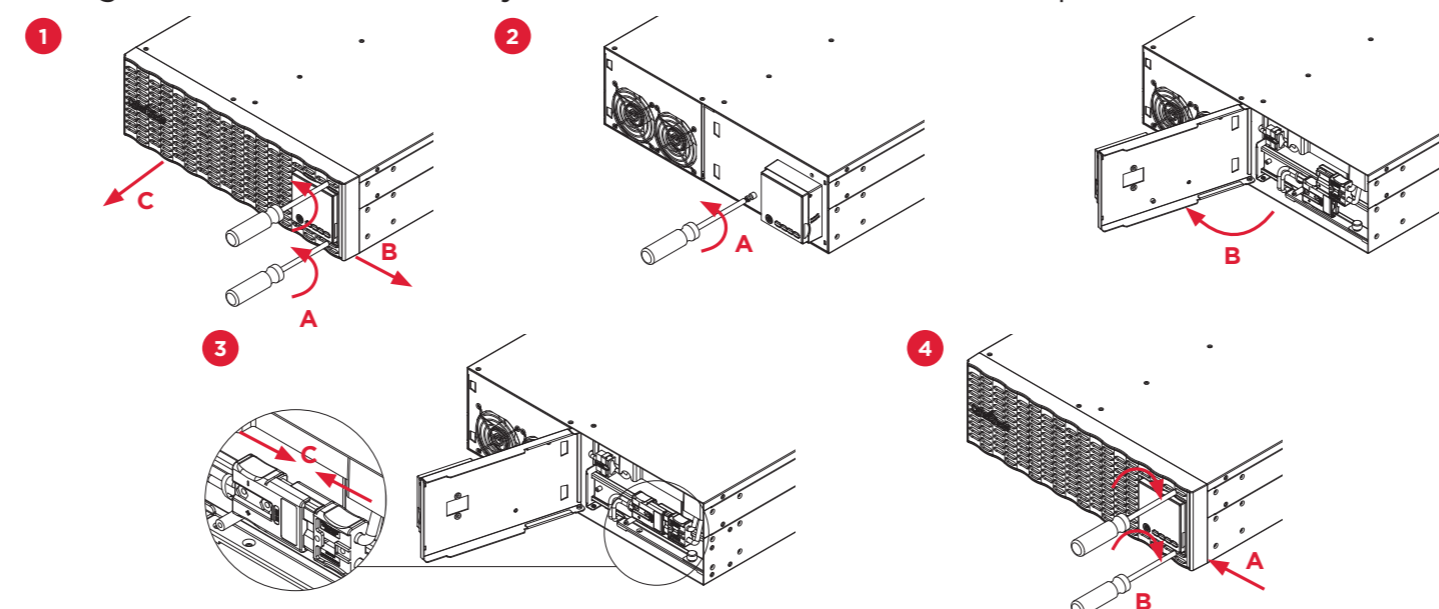
### TOWER INSTALLATION

1. Adhere twelve circular rubber pads to the stands and to the left hand side of the UPS as shown below. This will become the bottom of the UPS.
2. Stand the UPS system on its side and tighten the screws on the tower stands onto the bottom of the UPS as shown below. Insert the dust covers into the open screw holes on top.



### CONNECTING INTERNAL BATTERY

1. Unscrew and push the front panel to left side to remove it.
2. Unscrew and open the battery access door. This screw is designed to be fixed on the door, do not remove it from the metal cover.
3. Connect the internal battery connector. Ensure it is seated properly (connector will click into place).
4. Tighten the screw of battery access cover and install the front panel.

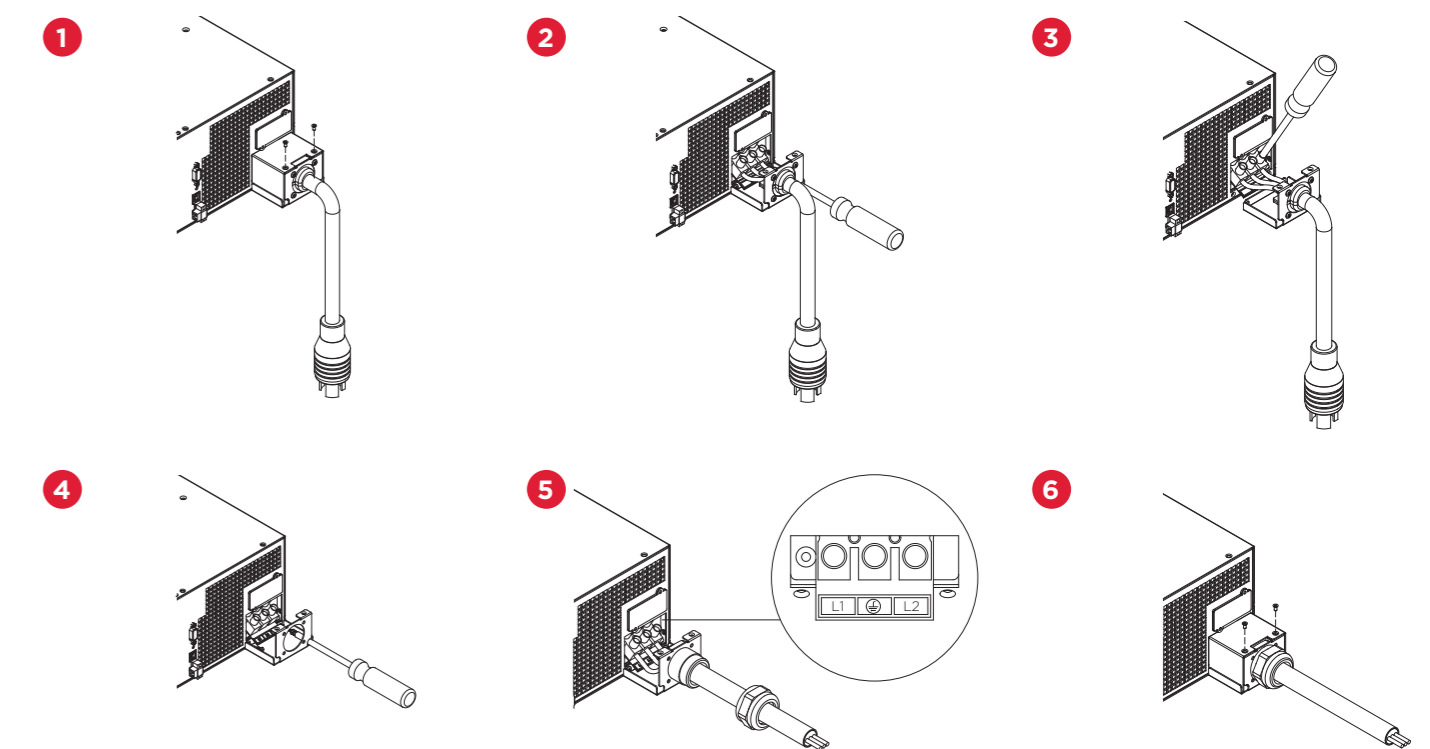


### UPS INPUT ELECTRICAL CONNECTION

**OL5KRTHDL and OL6KRTHDL PRE-INSTALLED L6-30P INPUT POWER CORD CONNECTION:**  
Connect the NEMA L6-30P input power cord directly to utility power.

**OL5KRTHDL and OL6KRTHDL INPUT TERMINAL BLOCK CONNECTION:**

1. Remove the top section of the input terminal cover by removing the top two screws.
2. Remove the bottom section of the input terminal cover by removing the bottom two screws.
3. Disconnect the three wires from input terminal block.
4. Fix the input bottom cover on the rear panel by tightening two screws.
5. Insert the input cable through the appropriate cable gland (not included). Connect the three wires to the input terminal block.
6. Fix the top cover on the bottom cover by tightening two screws.
7. After the unit is powered up, use the LCD to enter the Setup menu. Select "Main Menu" than "Set Up" and finally "With Power Cord" and change it to "Disable" and save the update.



**IMPORTANT!** Make sure the utility circuit breaker feeding the UPS input is in the OFF position.

**IMPORTANT!** OL5KRTHDL and OL6KRTHDL are pre-installed L6-30P INPUT POWER CORD, the UPS will be derated base on input voltage, UPS need to change to Hardwire connection to have full power rating.

**IMPORTANT!** Verify the input branch circuit breaker and wiring meet the recommended sizing:

UPS CAPACITY	BRANCH CIRCUIT BREAKER	WIRING AWG	WIRING mm <sup>2</sup>	SCREW TORQUE lbf-in	WIRING TYPE
5KVA	50A	8 AWG	8.0 mm <sup>2</sup>	18 lbf-in	Copper wire minimum 90°C
6KVA					

### POWER ON THE UPS SYSTEM

1. Switch the utility circuit breaker feeding the UPS to the ON position.
2. Turn the UPS ON - push and hold the ON/OFF power button for 3 seconds; you will hear continuous beeps.
3. UPS will perform a brief self-test lasting about 15 seconds then the UPS is operating in Battery Mode first then transfer to Line Mode if Input power is qualification and powering the output.
4. Customize UPS system configuration settings as needed. See User's Manual for complete details. User Manual is available to download on [www.cyberpowersystems.com](http://www.cyberpowersystems.com).
5. Connect equipment load to the UPS system.

