

88 5519 80 French Countryside Chair

IMPORTANT NOTE

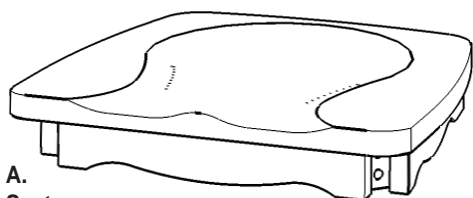
Carefully remove all the parts from the carton and put them individually on a soft cloth to prevent scratches or other damages occurring to the parts.

We have taken great care in the design of this product and request that you carefully and strictly follow our assembly instructions to ensure a completed product as it was designed.

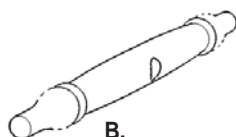
Home
Styles



Part List



**A.
Seat**
1 pc.



**B.
Side Stretcher**
2 pc.



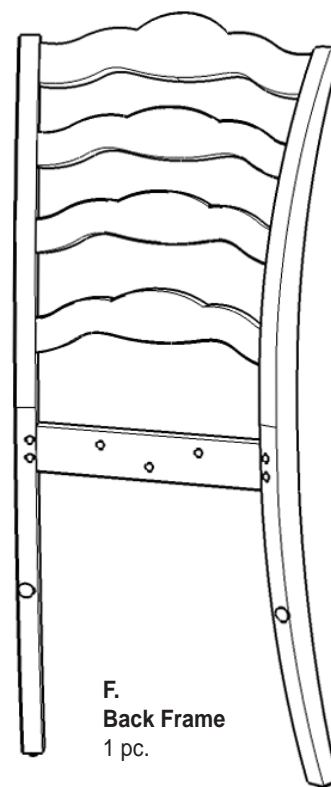
**C.
Center Stretcher**
1 pc.



**D.
Leg**
1 pc.



**E.
Leg**
1 pc.



**F.
Back Frame**
1 pc.

Hardware List



Key Wrench
1 pc.



**Small
Key Wrench**
1 pc.



Wood Screw
4 pcs. (+1 extra)



**Head Cap Bolt
(short)**
3 pcs. (+1 extra)



Head Cap Bolt
4 pcs. (+1 extra)



**Head Cap Bolt
(long)**
4 pcs. (+1 extra)



Spring Washer
11 pcs. (+1 extra)



Flat Washer
11 pcs. (+1 extra)

Tools required for assembly : Phillips screwdriver

Home Styles Consumer Assistance: www.homestyles-furniture.com,
servicedesk@homestyles-furniture.com, 888-680-7460, 877-831-0319

Assembly Instruction 2 / 2

IMPORTANT

* Do not tighten up all the screws until each part is properly assembled.

* You should keep Hex Wrench in a safe place as you may need to tighten up the Head Cap Bolts in the future.

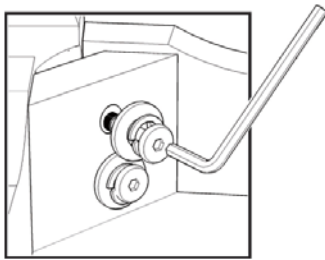


Figure 1

STEP 1

Attach Leg (D) and (E) to Seat (A) with Flat Washers, Spring Washers and Head Cap Bolts. Tighten Head Cap Bolts only half way. (see Figure 1)

Attach Side Stretcher (B) to Leg (D) with Wood Screw. (see Figure 2)

Slide the ends of Center Stretcher (C) into the pre-drilled holes in the middle of Side Stretchers (B). (see Figure 3)

Attach Side Stretcher (B) to Leg (E) with Wood Screw.

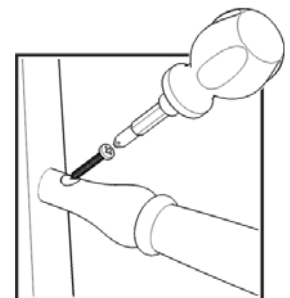
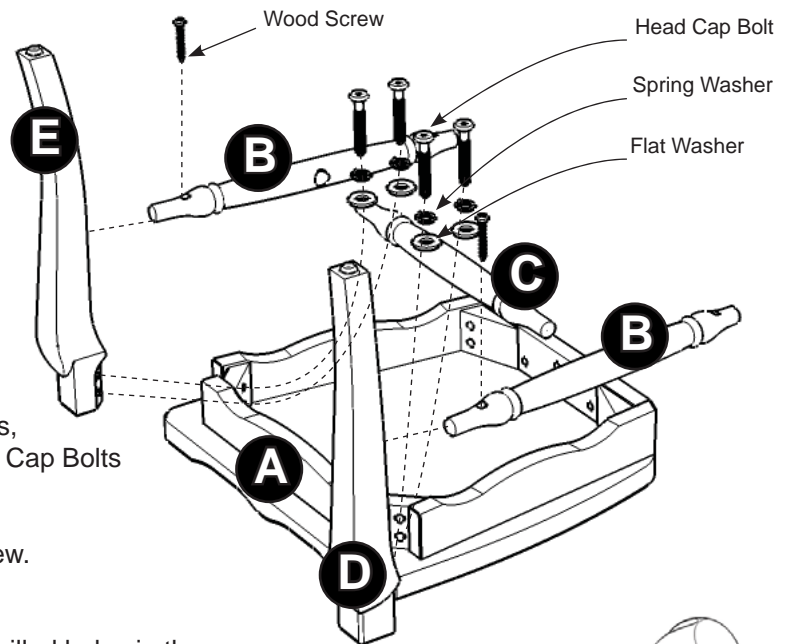


Figure 2

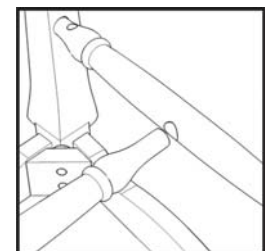
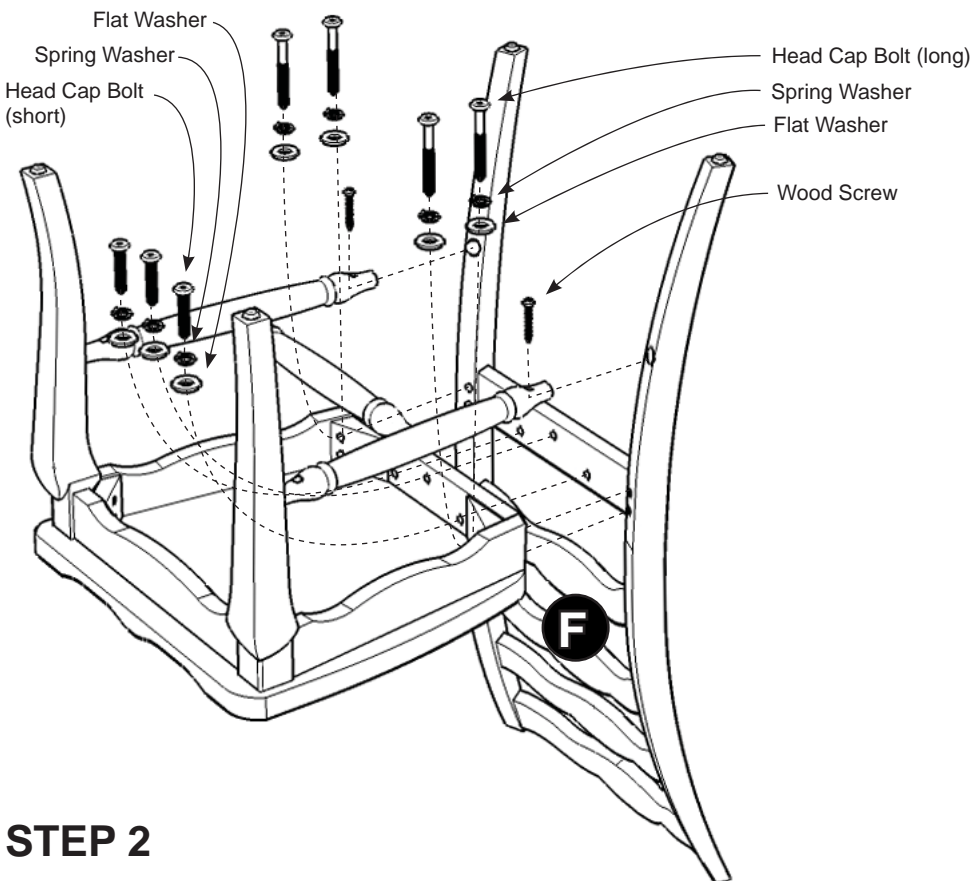


Figure 3

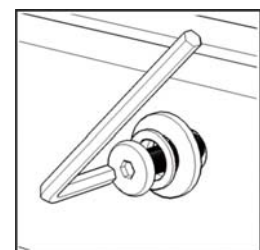


Figure 4

STEP 2

Attach Back Frame (F) to the unit with Flat Washers, Spring Washers, Head Cap Bolts (short), Head Cap Bolts (long) and Wood Screws. (see Figure 4), (see Figure 5)

Tighten up all Head Cap Bolts.

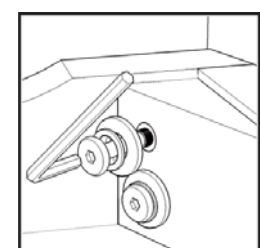


Figure 5