



STEVENSON 1 LT WALL LIGHT BRZ SKU#588970-BRZ

ASSEMBLY / INSTALLATION INSTRUCTIONS

Please read carefully and save these instructions, as you may need them at a later date.

CAUTION

Turn off the main power at the circuit breaker before installing the fixture, in order to prevent possible shock.

GENERAL

All electrical connections must be in accordance with local and National Electrical Code (N.E.C.) standards.

If you are unfamiliar with proper electrical wiring connections obtain the services of a qualified electrician. Remove the fixture and the mounting package from the box and make sure that no parts are missing by referencing the illustrations on the installation instructions. Tools are required when installing this fixture.

REQUIRED TOOLS

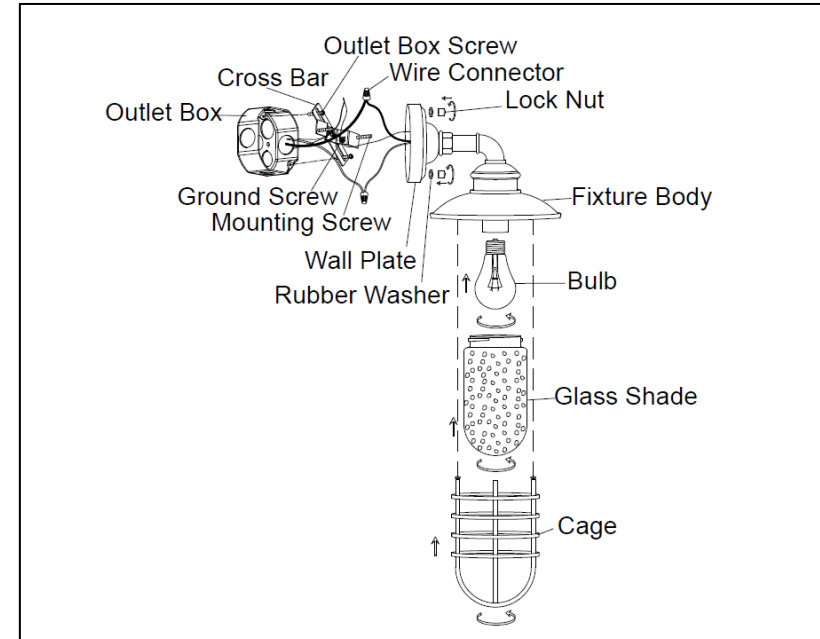
Phillips screwdriver, straight screwdriver

ASSEMBLY AND INSTALLATION

Turn off the power at fuse or circuit breaker

1. Carefully unpack the fixture, lay out all parts on a clean surface.
2. Fasten the CROSS BAR onto the OUTLET BOX by using 2 OUTLET BOX SCREWS provided.
3. Tie ground wire from OUTLET BOX and from fixture to the GROUND SCREW on the MOUNTING RING.
Connect white wire from fixture to white wire (neutral wire) from supply circuit. Connect black wire from fixture to black wire (live wire) from supply circuit. Cover connections using provided WIRE CONNECTORS.
4. Place the WALL PLATE over the MOUNTING SCREWS, then secure them with RUBBER WASHER and LOCK NUTS until tightened.
5. Install the BULB (not included).
6. Twist the GLASS SHADE onto the FIXTURE BODY tightly, then twist the CAGE onto the FIXTURE BODY tightly.
7. Use silicone caulking to seal between wall plate and wall. Leave bottom unsealed so moisture can drain out.

Turn on the power at fuse or circuit breaker.



ITEM#588970-BRZ

***IF IN DOUBT ABOUT ELECTRICAL INSTALLATION,
CONSULT A LICENSED ELECTRICIAN.***

Customer Service: 1-800-558-8700