









ITEM: 6750-80210-85 Rectangle Cocktail Table

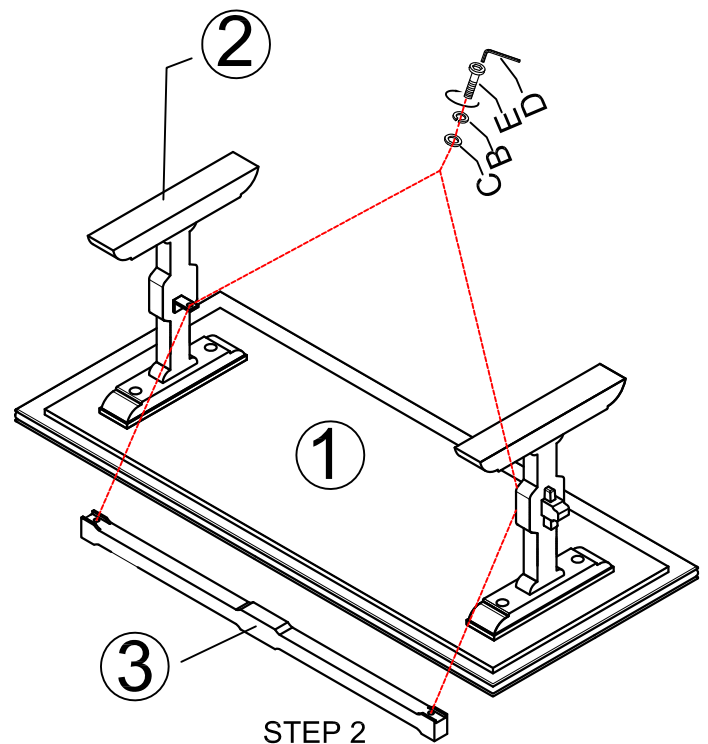
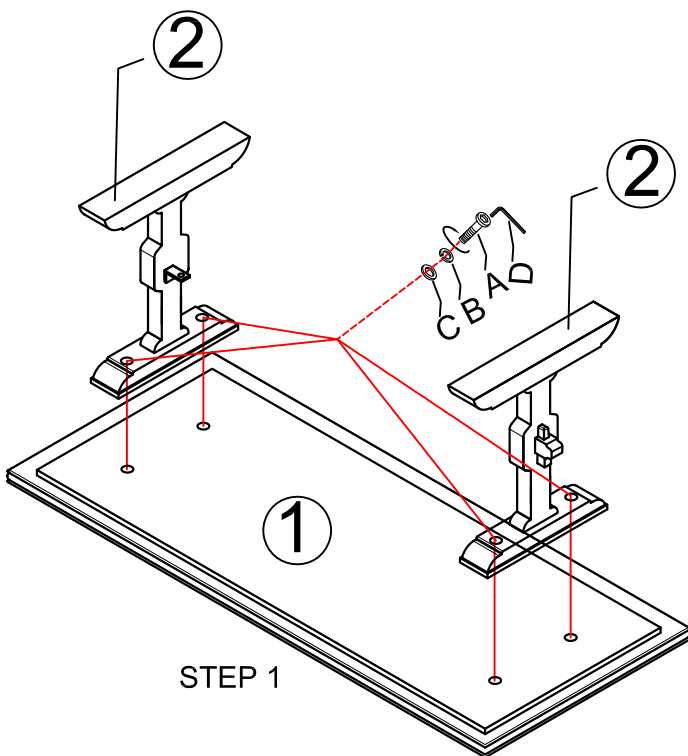
Thank you for purchasing this quality product. Be sure to unpack carefully looking for small parts which may have come loose during shipment. Read all instruction and study the drawing carefully before starting the assembly process.

HARDWARE PACK

NO.	DRAWING	DESCRIPTION	SIZE	Q'TY
A		Bolt	$\frac{5}{16}$ "*45MM	4PCS
B		Lock Washer	$\frac{5}{16}$ "	6PCS
C		Flat Washer	$\frac{5}{16}$ "	6PCS
D		Allen Wrench	73*29*5mm	1PC
E		Bolt	$\frac{5}{16}$ "*25MM	2PCS

PART LIST

NO.	DRAWING	DESCRIPTION	Q'TY
①		Top	1PC
②		Pedestal	2PCS
③		Stretcher	1PC



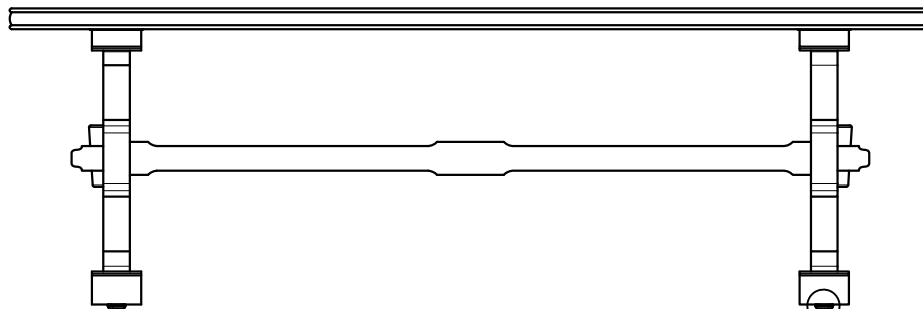
Step 1: Attach pedestals (2) to the top (1) by using bolts (A), lock washers (B) and flat washers (C). Do not fully tighten bolts at this step.

Step 2: Assemble stretcher (3) to pedestal (2) with bolts (E), lock washers (B) and flat washers (C), well tighten all bolts (E & A) by allen wrench (D).

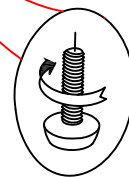
ASSEMBLY INSTRUCTION

ITEM: 6750-80210-85 Rectangle Cocktail Table

Thank you for purchasing this quality product. Be sure to unpack carefully looking for small parts which may have come loose during shipment.
Read all instruction and study the drawing carefully before starting the assembly process.



Adjust Leveler if needed
to level table on uneven
floor.



STEP 3