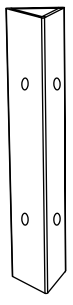
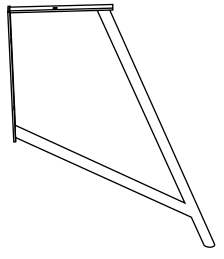
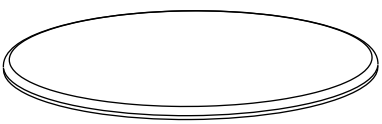
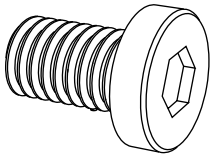
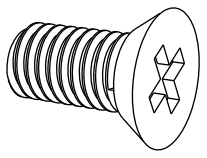

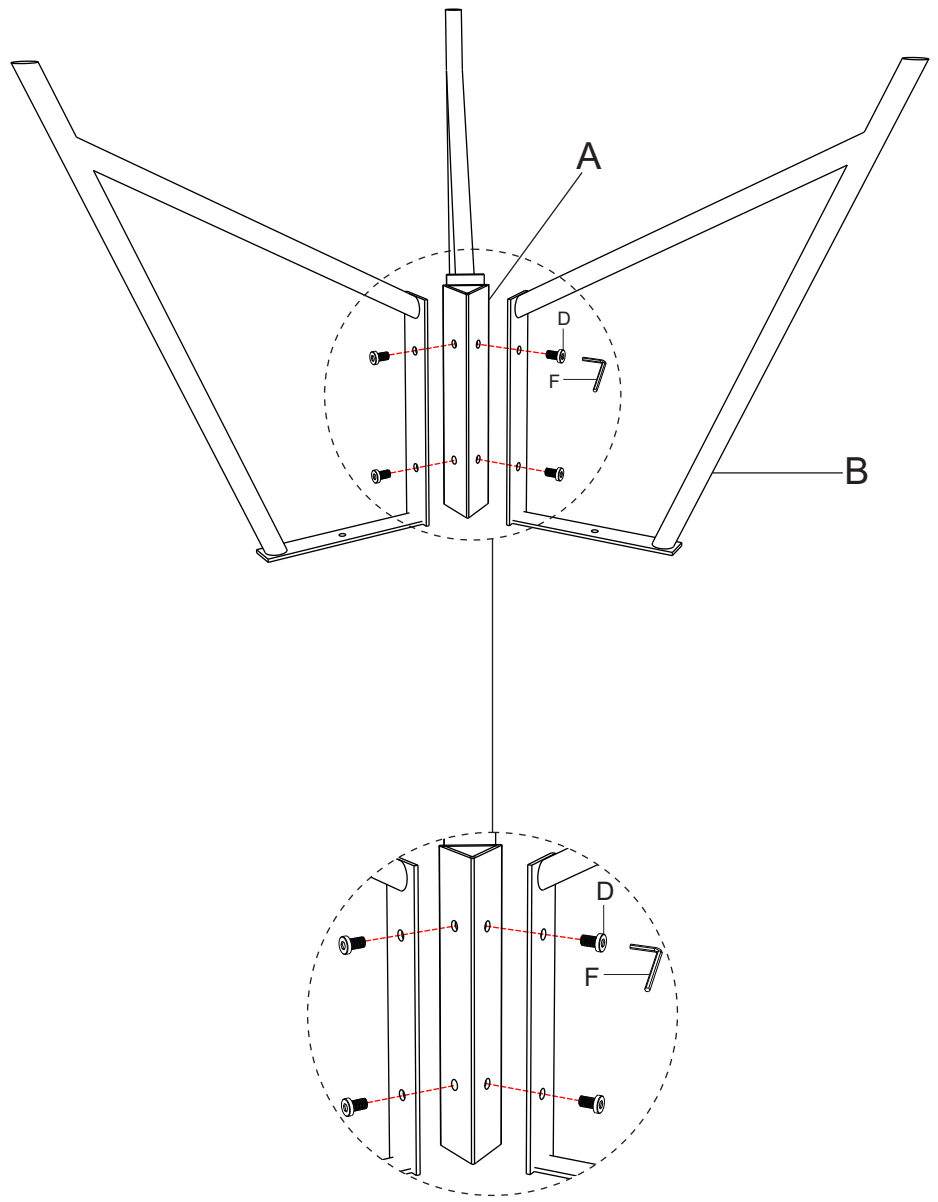
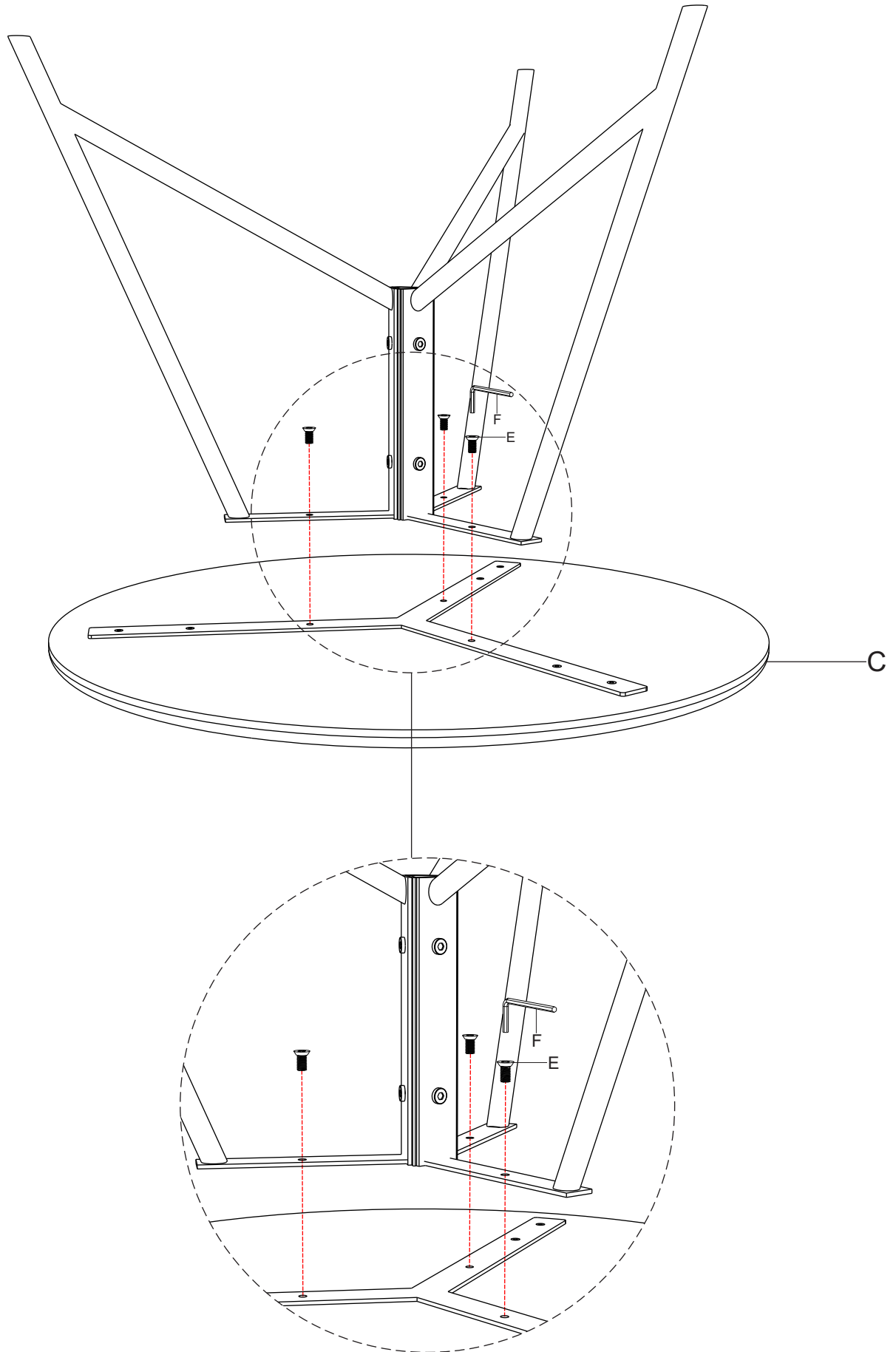


STEP 1

	Ax1
	Bx3
	Cx1
	Dx6
	Ex3
	Fx1



STEP 2



STEP 3

