

# MNT-IPMINIDOME-WALL-3

Wall Mount Bracket

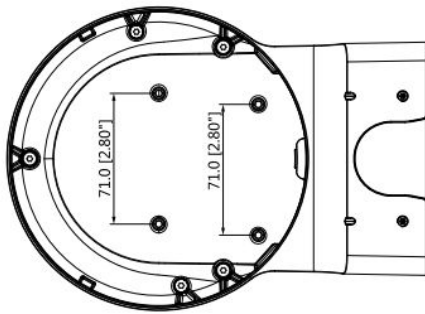
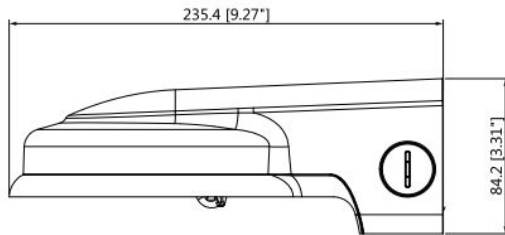
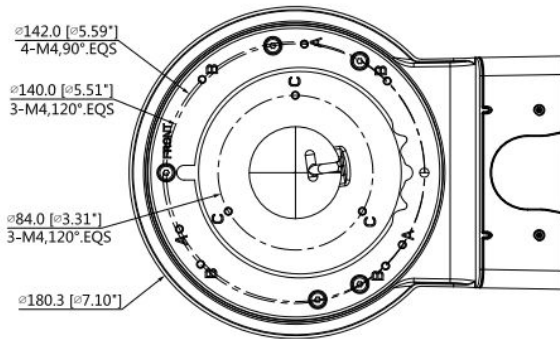


- Neat, Aesthetic design
- Material: Aluminum alloy
- Compatible with IPFX-E20V-IRW1, IPFX-E40V-IRW1 and IPEL-E80V-IRW1 cameras

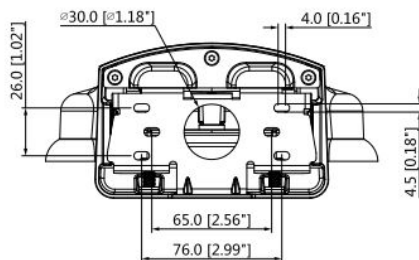
## Technical Specification

Model	MNT-IPMINIDOME-WALL-3
Material	Aluminum Alloy
Dimension(W xH xD)	9.27" × 7.09" × 3.31" (235.4 mm × 180.3 mm × 84.2 mm)
Weight	0.97 kg (2.14 lb)
Load Bearing	3.0 kg (6.61 lb)
Color	White
Operating Temperature	40°C~60°C(-40°F~140°F)
Humidity	0~90% RH
Applicable Models:	Compatible with IPFX-E20V-IRW1, IPFX-E40V-IRW1 and IPEL-E80V-IRW1 cameras.

Dimensions (mm/in)



INSIDE



Application

