

ITEM #81263

Chocolate Oak Mantel Height 3-Shelf
Corner Bookcase with Drawer

Leick
Home
SINCE 1910

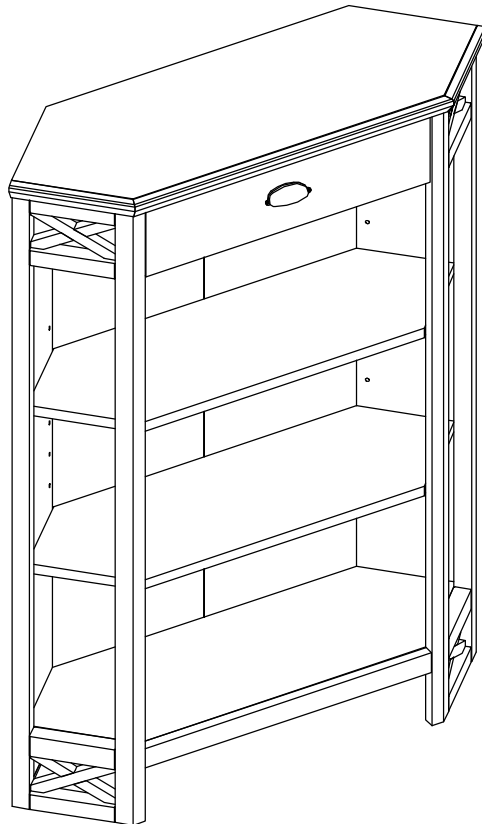
2219 S. 19th St.

Sheboygan, WI 53081


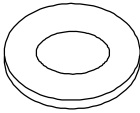
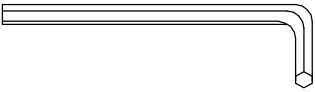
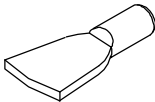
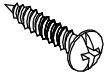
Ph: 920-451-4060

Fax: 920-451-4063

info@leickhome.com



Hardware List

	Item	Description	Qty
a		Bolt 1/4"x1-1/8"	8PCS
b		Flat Washer 1/4"x16mm	8PCS
c		Allen Wrench	1PC
d		Shelf Metal Clip	8PCS
e		Black Screw	2PCS

Parts List

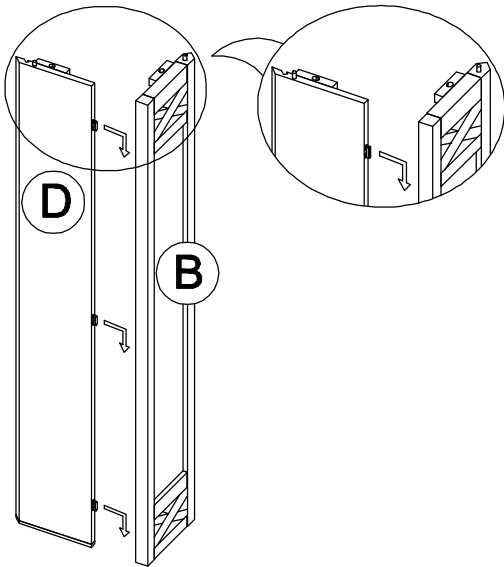
Item	Description	Qty
A	Top	1PC
B	Left Front Frame	1PC
C	Right Front Frame	1PC
D	Left Back Panel	1PC
E	Right Back Panel	1PC
F	Back Panel	1PC
G	Shelf Panel	2PCS
H	Bottom Panel	1PC

Assembly Instructions

Two person assembly recommended.

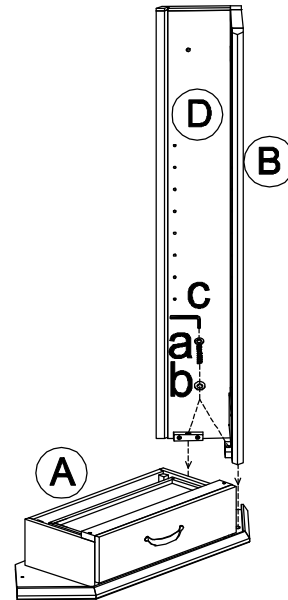
step 1

Insert left back panel (D) into left front frame (B) as per following sketch, push the left back panel down until flush to make it tight. Do the same assembly step on right back panel (E) and right front frame (C).



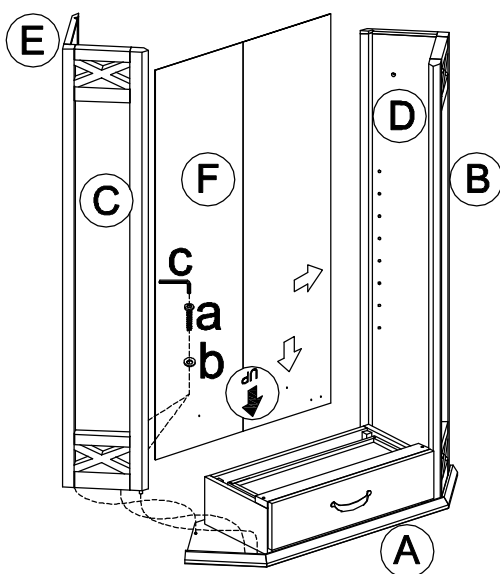
step 2

Place left side frame (D & B) upside down onto top assembly. Make sure the wooden dowels on left side frame go into the top holes first. Fasten the side frame and top with bolts when the front side frame rail is flush with drawer front.



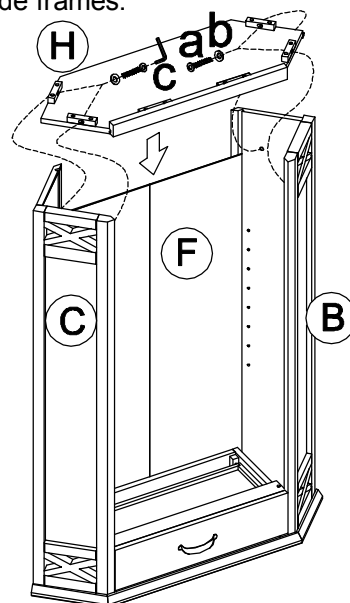
step 3

Open the back panel (F) and insert it into left side frame groove, place the right side frame on the top and the groove into the back panel. Tighten the bolts when the front side frame rail is flush with drawer front.



step 4

Place the bottom shelf (H) inside and make sure the back panel goes into the bottom shelf groove. Fasten the bottom shelf with four bolts, tighten all bolts when the shelf front rail is flush with the side frames.

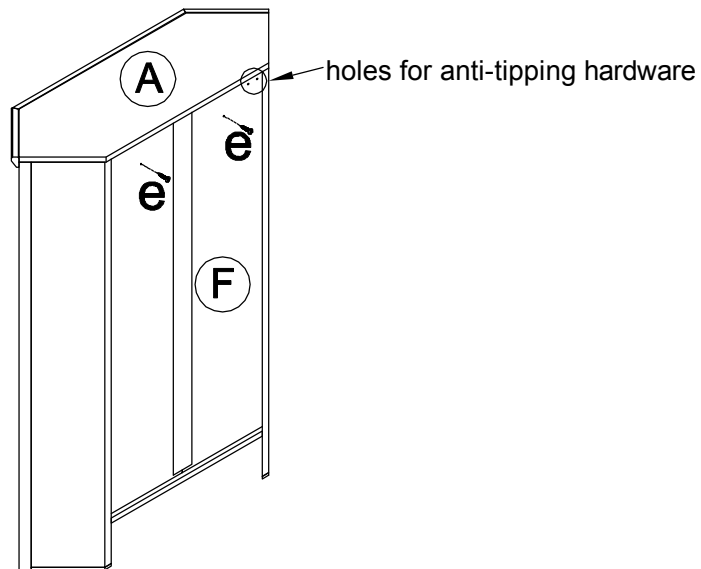


Assembly Instructions

Two person assembly recommended.

step 5

Place the bookcase right side up and fasten the back panel with two screws.



step 6

Insert shelf supports and place shelves on shelf supports when the front sticker on the bottom of shelf towards to outside. Fasten the anti-tipping hardware onto pre-drilled holes of back panel.

