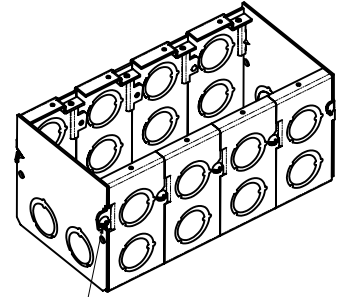
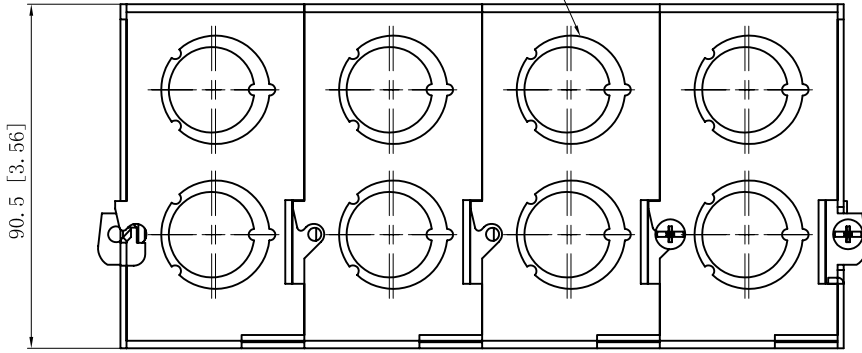


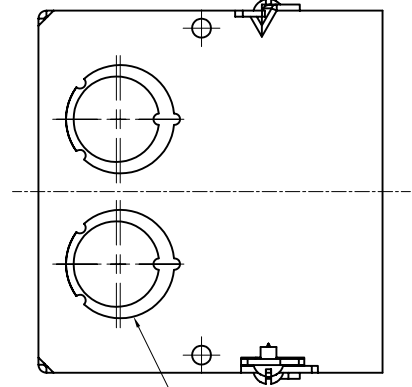
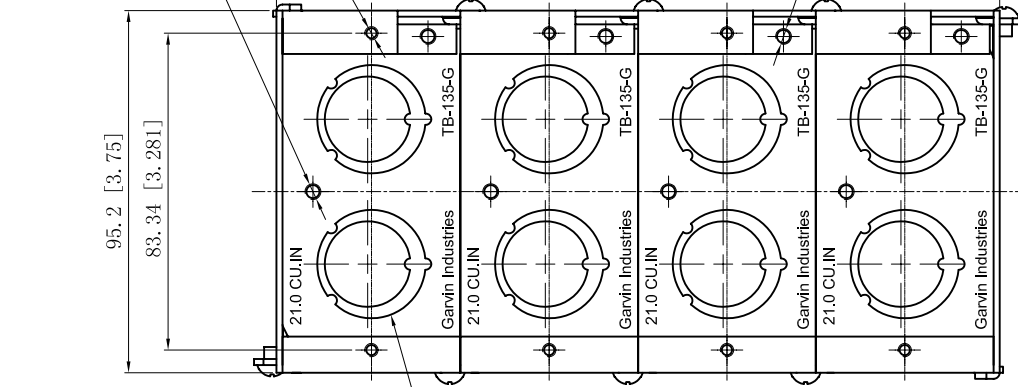
<b>SIDES</b>	<b>BOTTOM</b>
20 1/2"-3/4" MOON KNOCKOUTS	8 1/2"-3/4" MOON KNOCKOUTS
8 PCS 8-32x1/4 Screws Installed	
Material: Steel-0.0625"-G60 Galvanized	

16 1/2-3/4 MOON KNOCKOUTS  $\phi=22.5 [\phi=0.89]$   
 $\phi=28.5 [\phi=1.12]$  MIRROR



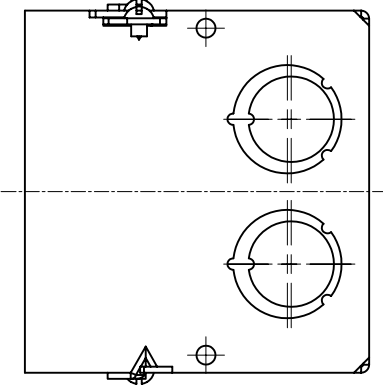
#8-32, x8

8-#6-32 UNC HOLE  
 4-#10-32 UNF HOLE  
 190.2 [7.49]



4 1/2-3/4 MOON KNOCKOUTS  $\phi=22.5 [\phi=0.89]$   
 $\phi=28.5 [\phi=1.12]$  MIRROR

8 1/2-3/4 MOON KNOCKOUTS  $\phi=22.5 [\phi=0.89]$   
 $\phi=28.5 [\phi=1.12]$



This data sheet is for reference only .GARVIN INDUSTRIES reserves the right to make changes to the design without prior notice.

<b>DESCRIPTION</b>
<b>TRADE REFERENCE TERMS</b>

<b>STANDARD PACKING</b>
5 PCS

<b>GARVIN INDUSTRIES</b>		
TITLE GANGABLE MASONRY BOX 3-1/2" DEEP		
SIZE A4	DWG NO. TB-435-G	REV A
DATA SHEET		