

HEAVY DUTY 50' AIR HOSE WITH AUTO REWIND REEL

Item Number M619

OWNER'S MANUAL



Performance Tool®

▲WARNING: READ, UNDERSTAND AND FOLLOW ALL INSTRUCTIONS AND WARNINGS BEFORE OPERATING THIS TOOL. FAILURE TO DO SO MAY RESULT IN PERSONAL INJURY AND/OR PROPERTY DAMAGE AND WILL VOID WARRANTY.

PT®
Performance Tool

TOOL FEATURES

This reel features spring driven, automatic rewind and locking ratchet to hold the hose at desired length(s).

This reel comes equipped with 50 ft. of 3/8 in. hose, but can also accommodate 50 ft. of 1/2 in. hose.

SPECIFICATIONS:

Maximum Working Pressure:	300 PSI
Bursting Pressure	750 PSI
Hose Outlet:.....	1/4 in. - Brass NPT included
Air Inlet:	1/4 in. - Brass NPT included
Hose Dimensions:	50 ft. X 3/8 in.
Reel Capacity:	50 ft. of 1/2 in. Hose

▲CAUTION: Use ear protection. Exposure to noise can lead to loss of hearing.

Specifications are subject to change without notice.

SAFETY, WARNINGS & PRECAUTIONS

▲WARNING. READ THE FOLLOWING PRECAUTIONS AND INSTRUCTIONS BEFORE ASSEMBLY OR USAGE. FAILURE TO COMPLY WITH INSTRUCTIONS COULD RESULT IN PERSONAL INJURY AND/OR PROPERTY DAMAGE. KEEP THIS MANUAL IN A SAFE PLACE FOR FUTURE REFERENCE.

1. Make sure incoming pressure does not exceed 300 PSI.
2. Assemble the hose reel on a clean workbench free of debris and moisture.
3. Use soap and water when checking for air leaks
4. Do not expose fingers or hands directly to a pressurized air hose, as it could result in severe bodily injury or even death.
5. Keep work area clean. Cluttered areas invite injuries.
6. Observe work area conditions. Don not expose to rain. Keep work area well lighted. Do not use electrically powered tools in the presence of flammable gases or liquids.
7. Keep children away. Children must never be allowed in the work area. Do not let them handle machines, tools, extension cords or air hoses.
8. Store idle equipment. When not in use, tools must be stored in a dry location to inhibit rust. Always lock up tools and keep out of reach of children.
9. Use the right tool for the job. Do not attempt to force a small tool or attachment to do the work of a larger industrial tool. There are certain applications for which this tool was designed. It will do the job better and more safely at the rate for which it was intended. Do not modify this tool and do not use this tool for a purpose for which it was not intended.
10. Dress properly. Do not wear loose clothing or jewelry as they can be caught in moving parts. Protective, electrically non-conductive clothes and non-skid footwear are recommended when working. Wear restrictive hair covering to contain long hair.
11. Use eye protection. Always wear ANSI approved impact safety goggles when working, when performing maintenance, and when replacing the hose.
12. Do not over reach. Keep proper footing and balance at all times. Do not reach over or across running machines or air hoses.
13. Maintain tools with care. Keep tools clean for better and safer performance. Follow instructions for lubricating and changing accessories. Inspect tool cords and air hoses periodically and if damaged have them repaired by an authorized technician. The handles must be kept clean, dry and free from oil and grease at all times.
14. Disconnect air supply and disconnect air hose when not in use.
15. Stay alert. Watch what you are doing. Use common sense. Do not operate any tool when you are tired.

SAFETY, WARNINGS & PRECAUTIONS CONTINUED

16. Check for damaged parts before using any tool. Any part that appears damaged should be carefully checked to determine that it will operate properly and perform its Intended function. Check for alignment and binding of moving parts; any broken parts or mounting fixtures; and any other condition that may affect proper operation. Any part that is damaged should be properly repaired or replaced by a qualified technician.
17. Guard against electric shock. Prevent body contact with grounded surfaces such as pipes, radiators, ranges, and refrigerator enclosures.
18. When servicing, use only identical replacement parts. Use of any other parts will void the warranty. Only use accessories intended for use with this tool. Approved accessories are available from Performance Tool.
19. Do not operate tool under the influence of alcohol or drugs. Read warning labels if taking prescription medicine to determine if your judgement or reflexes are impaired while taking the drug. If there is any doubt. Do not operate the hose reel.
20. For your safety, maintenance should be performed regularly by a qualified technician.
21. Compressed air only. Never use combustible gases as a power source.

▲WARNING: *The warnings, cautions, and instructions discussed in this instruction manual cannot cover all possible conditions and situations that may occur. It must be understood by the operator that common sense and caution are factors which can not be built into this product, but must be supplied by the operator.*

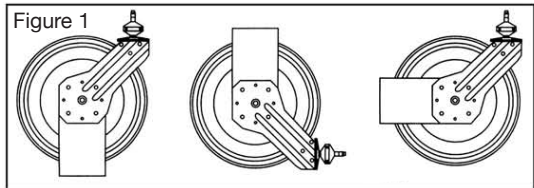
▲WARNING: *The brass components of this product contain lead, a chemical known to the State of California to cause birth defects (or other reproductive harm). (California Health & Safety code 25249.5. et seq.)*

INSTALLATION & OPERATION

INSTALLATION OF REEL:

Note:

1. Install reel at least 10 ft. from the floor when mounting on ceiling.
2. This reel does not include the hardware for mounting. Decide where you are going to mount your reel, and purchase the appropriate hardware for a safe and secure mount.



1. The reel Mounting Base has two 1/2 in. (12.7 mm) wide slots for easy installation, and two 1/2 in. (12.7 mm) drilled holes.
2. This reel comes with an adjustable Guide Arm which can be angled according to the location the reel is mounted (see Figure 1).
 - a. Pull out a length of hose and latch reel.
 - b. Remove the bolts (4) connecting the Guide Arm and Support Post.
 - c. Adjust the Guide Arm to the proper position, insert bolts (4) and tighten.
3. Place four bolts (1/2 in. or 12.7 mm) through the four holes in the Mounting Base and tighten to floor, ceiling or wall so that reel can be fastened into position.
4. Apply pipe seal tape or thread sealant to Inlet Hose threads and attach one end to Reel Inlet. Connect the other end to the outlet of air source.

Note:

1. You must have a FLEXIBLE inlet hose.
2. A swivel type connector is required on air compressor.
3. Apply pipe seal tape or thread sealant to Outlet Hose Fitting. Attach outlet to air tools. Check connections for leakage, and Hose Reel for correct operation (see Operation section).
4. If Hose Stopper adjustment is required, latch the Hose at the required length, loosen stopper bolts, move stopper to desired position and tighten stopper bolts. Unlatch the hose.

INSTALLATION & OPERATION CONTINUED

OPERATION:

1. Check reel for correct operation by slowly pulling out the hose. A "clicking" noise will be heard every half revolution of the drum.
2. **TO LATCH** the reel, pull out the hose and allow it to retract after hearing the first, second or third "click."
3. **TO UNLATCH** slowly pull out the hose until the "clicking" noise stops, then let the hose retract until the Hose Stopper rests against the Hose Guide.

Note: *Do not let the hose retract without restraining recoil speed. Never release the hose when rewinding.*

4. Periodically check the hose and swivel for wear and leakage.

ADJUSTMENT OF REEL TENSION:

1. Disconnect Inlet Hose.
2. Pull out approximately 6 ft. (or 2 m) of hose and latch the drum.
3. Add one wrap of hose to the drum to Increase tension or remove one wrap of hose to decrease tension.
4. Unlatch the drum and check tension.
5. Reconnect Inlet Hose.

REPLACEMENT OF SWIVEL SEAL:

1. Remove Inlet Hose from swivel.
2. Disconnect hose from swivel.
3. Unscrew swivel from shaft.
4. Remove circlip on swivel; pull out shaft from body.
5. Replace the seals and reassemble swivel.
6. Fit hose to swivel then fit swivel to reel properly.
7. Reattach Inlet Hose.

REPLACEMENT OF HOSE:

1. Securely stabilize the reel.
2. Pull out all the hose and lock the reel in that position.

▲CAUTION: *Make sure the reel is securely locked and will not rotate back.*

3. Remove hose clamps from hose.
4. Carefully disconnect hose from swivel joint on side of reel and remove old hose.
5. Remove hose guard and hose stopper from old hose and fit these parts to the new hose in the same position.
6. Feed the new hose MALE fitted end through the four-roller guide arm and through the cutout slot on the drum flange.
7. The MALE fitting should now be on the outside of the drum. Apply pipe seal tape or thread sealant and connect hose fitting to the swivel joint. Secure hose rigid with hose clamp.

Note: *The hose clamp restrains the hose when fully extended from pulling its fitting out at the swivel joint.*

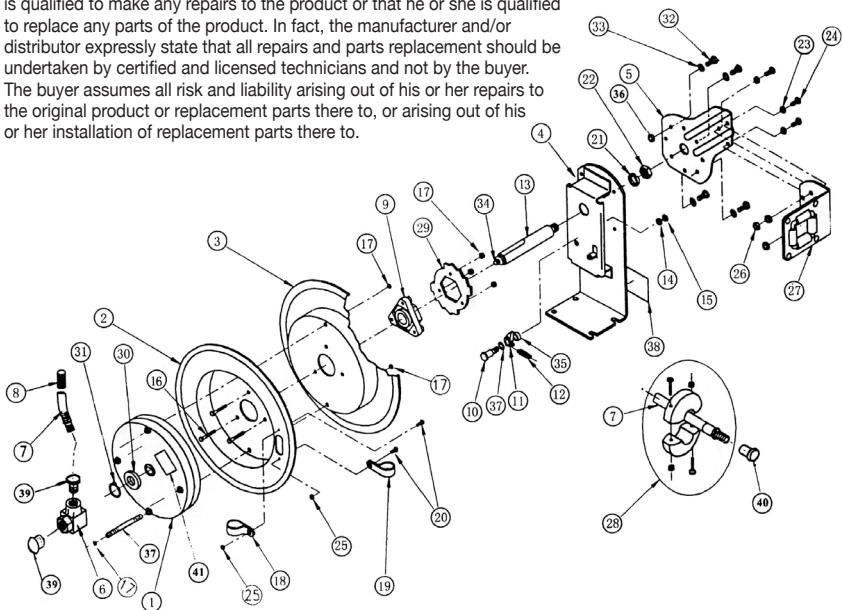
8. Carefully release the locking ratchet and slowly allow the hose to retract onto the reel.

EXPANDED PARTS LIST

No.	Description	Qty.	No.	Description	Qty.
1	Spring	1	22	Nut	3
2	Half Drum	1	23	Washer	3
3	Half Drum	1	24	Bolt.....	2
4	Drum Mount Base Arm	1	25	Keps Nut.....	3
5	Arm	1	26	Lock Nut	1
6	Swivel (swivel, rigid, 2 O-rings & label) 1	1	27	Assembly Roller Bracket for Hose.1	1
7	Hose (Attached to reel).....	1	28	Ball Stop	2
8	Guard H	1	29	Locking Ring	1
9	Assembly Hub Bearing	1	30	Washer Spacer	1
10	Bolt.....	1	31	Retaining Ring.....	4
11	Locking Cam.....	1	32	Bolt.....	4
12	Dog Spring.....	1	33	Lock Washer	1
13	Axle.....	1	34	Setscrew	4
14	Lock Washer	1	35	Spacer Washer	1
15	Jam Nut	1	36	Nut	1
16	Bolt.....	3	37	Spacer Washer	1
17	Nut	7	38	Label	1
18	Clamp	1	39	Cover	2
19	Clamp	1	40	Cover	1
20	Bolt.....	2	41	Label	1
21	Bolt Washer	1			

Please read the following carefully.

The manufacturer and/or distributor has provided the parts diagram in this manual as a reference tool only. Neither the manufacturer nor distributor makes any representation or warranty of any kind to the buyer that he or she is qualified to make any repairs to the product or that he or she is qualified to replace any parts of the product. In fact, the manufacturer and/or distributor expressly state that all repairs and parts replacement should be undertaken by certified and licensed technicians and not by the buyer. The buyer assumes all risk and liability arising out of his or her repairs to the original product or replacement parts there to, or arising out of his or her installation of replacement parts there to.



1 YEAR WARRANTY

PERFORMANCE TOOL® extends only the following warranties, and only to original retail purchasers. These warranties give specific legal rights. Except where prohibited by local law, the law of the State of Washington governs all warranties and all exclusions and limitations of warranties and remedies. There may be other rights which vary from state to state.

PERFORMANCE TOOL® warrants the product to be free from defects in materials and workmanship under normal use and service. A defective product may be returned for a free replacement within 90 days from the date of purchase, provided that product is returned to place of purchase immediately after discovery of defect. After 90 days and up to one year from date of purchase, PERFORMANCE TOOL® will replace at no charge any parts which our examination shall disclose to be defective and under warranty. These warranties shall be valid only when a sales receipt showing the date of purchase accompanies the defective product or defective part (s) being returned. For part (s) after 90 days, please remit your request, postage prepaid to:

PERFORMANCE TOOL, P.O. Box 88259 Tukwila, WA 98138

These warranties exclude blades, bits, punches, dies, bulbs, fuses, hoses, and other consumables which must be replaced under normal use and service. These warranties shall not apply to any product or part which is used for a purpose for which it is not designed, or which has been repaired or altered in any way so as to affect adversely its performance or reliability, nor shall these warranties apply to any product or part which has been subject to misuse, neglect, accident or wear and tear incident to normal use and service.

PERFORMANCE TOOL® does not authorize any other person to make any warranty or to assume any liability in connection with its products.

Except for warranties of title and the limited express warranties set forth above, PERFORMANCE TOOL® makes no express or implied warranties of any kind with respect to its products. In particular, PERFORMANCE TOOL® makes no implied warranty of merchantability and no implied warranty of fitness for any particular purpose, except that for goods purchased primarily for personal, family or household use and not for commercial or business use, PERFORMANCE TOOL® makes an implied warranty of merchantability (and, if otherwise applicable, an implied warranty of fitness for a particular purpose), but only for the particular qualities or characteristics, and for the duration, expressly warranted above.

The laws on limitation of implied warranties may differ from state to state, so the above limitations may not apply in all cases.

PERFORMANCE TOOL® shall not be liable for consequential, incidental or special damages resulting from or in any manner related to any product, or to the design, use, or any inability to use the product. The sole and exclusive remedy for a defective product or part shall be the repair, or replacement thereof as provided above. The laws on limitation of remedies or on consequential, incidental or special damages may vary from state to state, so the above limitations may not apply in all cases.

© Copyright 2023 WILMAR LLC., P.O. Box 88259 Tukwila, WA 98138