

15"

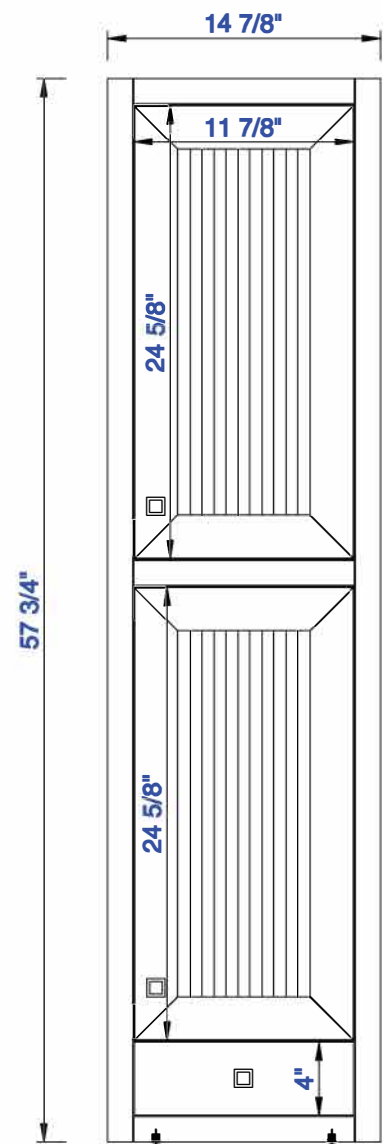
Item Number:
E645-H15R-MCA
E645-H15R-GW

JAMES MARTIN



VANITIES™

Athens 15" Tower Hutch - Right
Diagrams with Dimensions
page 01 of 03



15"

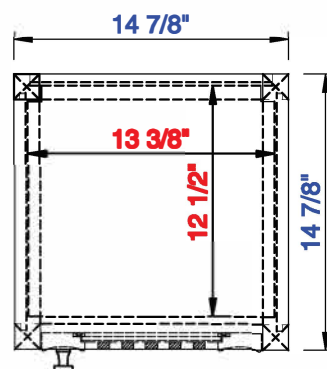
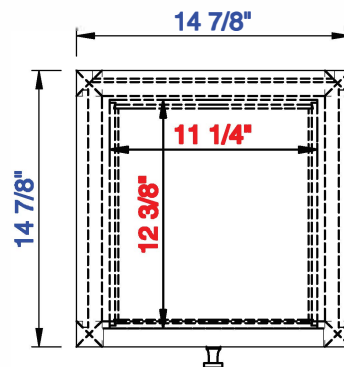
Item Number:
E645-H15R-MCA
E645-H15R-GW

JAMES MARTIN



VANITIES™

Athens 15" Tower Hutch - Right
Diagrams with Dimensions
page 02 of 03



15"

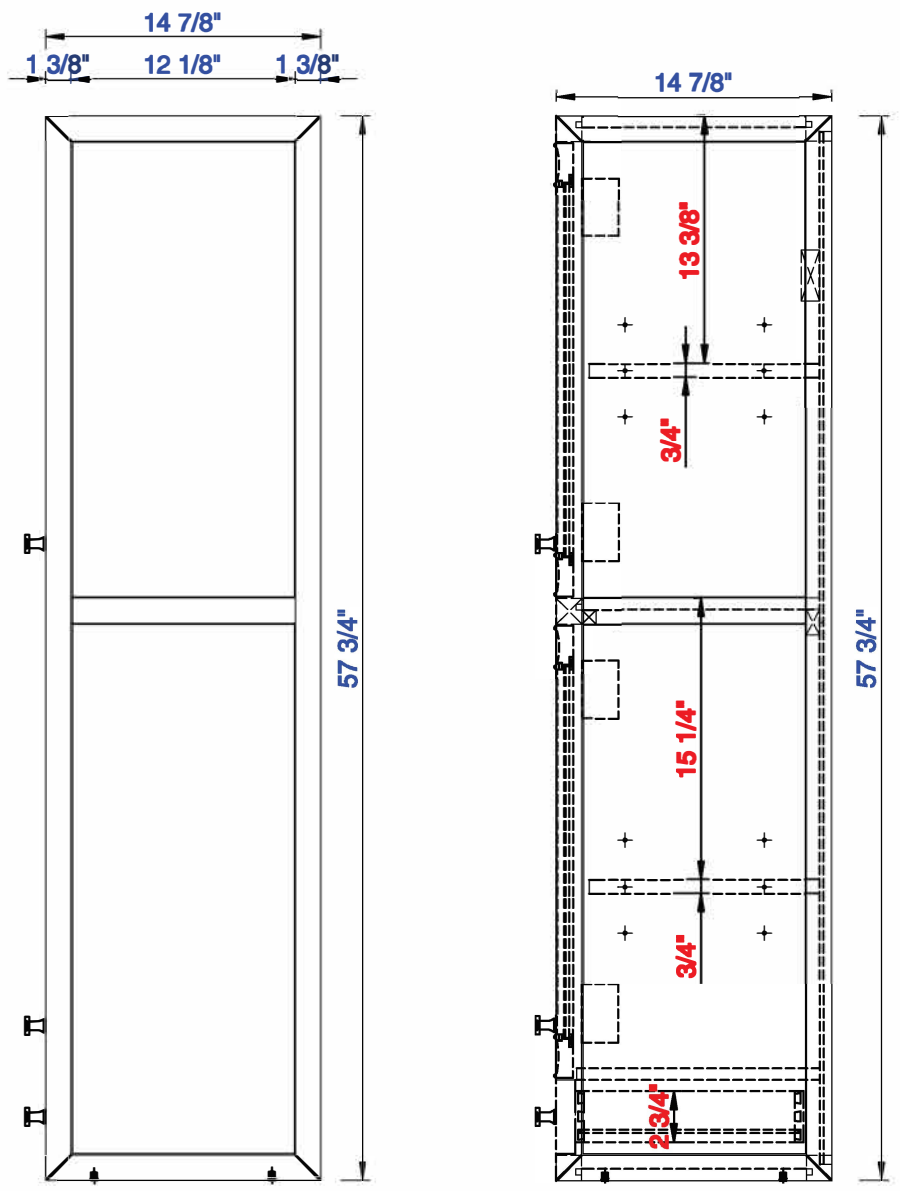
Item Number:
E645-H15R-MCA
E645-H15R-GW

JAMES MARTIN



VANITIES™

Athens 15" Tower Hutch - Right
Diagrams with Dimensions
page 03 of 03



381mm

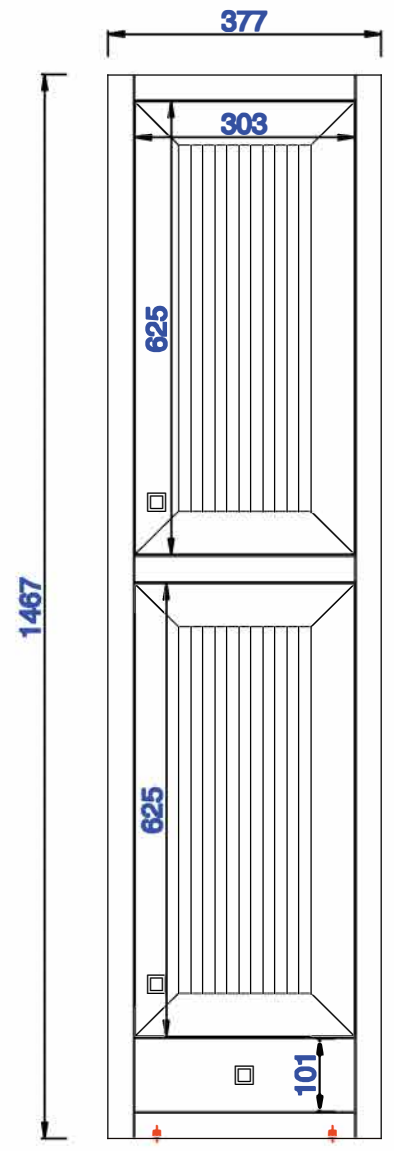
Item Number:
E645-H15R-MCA
E645-H15R-GW

JAMES MARTIN



VANITIES™

Athens 381mm Tower Hutch - Right
Diagrams with Dimensions
page 01 of 03



381mm

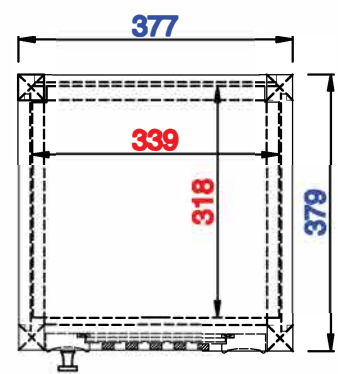
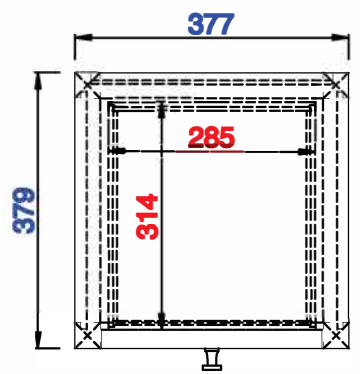
Item Number:
E645-H15R-MCA
E645-H15R-GW

JAMES MARTIN



VANITIES™

Athens 381mm Tower Hutch - Right
Diagrams with Dimensions
page 02 of 03



381mm

Item Number:
E645-H15R-MCA
E645-H15R-GW

JAMES MARTIN



VANITIES™

Athens 381mm Tower Hutch - Right
Diagrams with Dimensions
page 03 of 03

