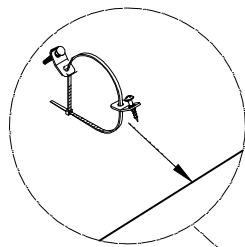


ITEM: 5066-10413 UTILITY FILE

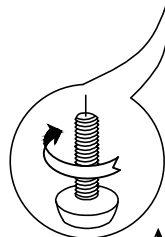
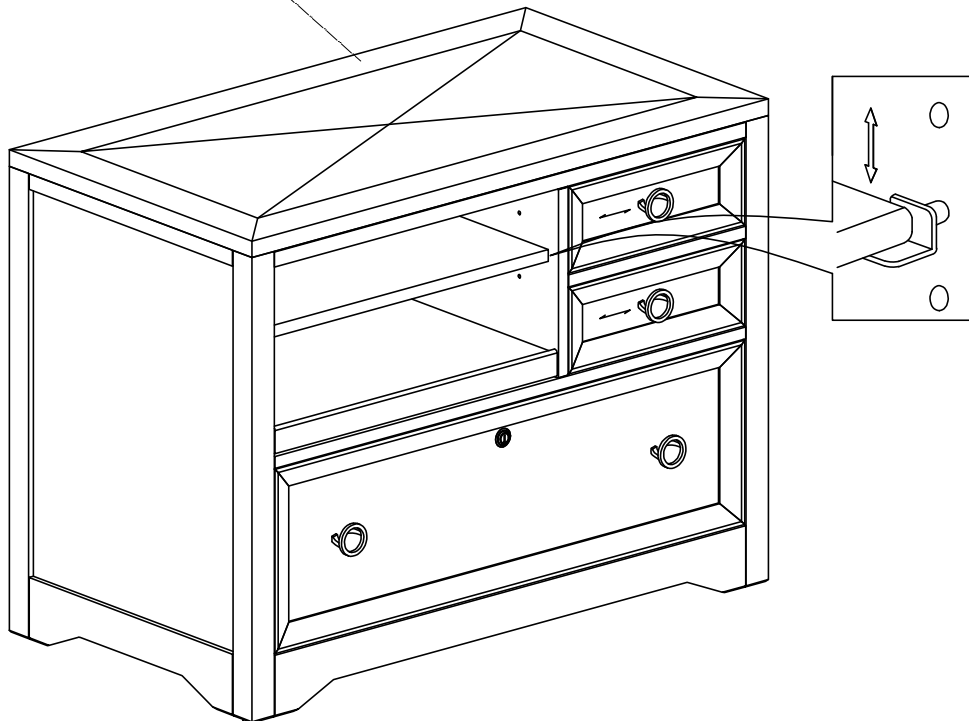
Thank you for purchasing this quality product. Be sure to unpack carefully looking for small parts which may have come loose during shipment. Read all instruction and study the drawing carefully before starting the assembly process.

NO	DRAWING	DESCRIPTION	SIZE	Q'TY
a		Shelf Pins	Ø5*29*14	4pcs



Anti - tip kit is included for use.
We recommend installing for
safety reason

Tipping Restraint



- [1] To place the Adjustable shelf, use [A] shelf at desired place.
- [2] Put Adjustable shelf on the shelf pins.

**Adjust levelers if needed,
to level case on uneven
floor**