

AXOR Montreux
Pressure Balance Trim
Finishes : **chrome** Part no. : **16508001**



Description

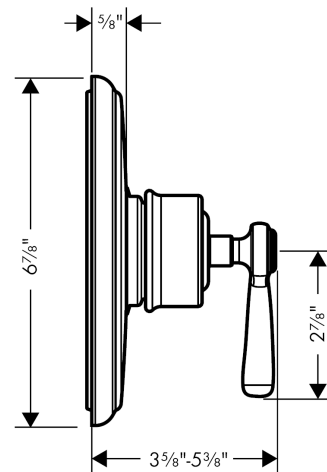
Features

- Flow: 5.44 GPM (20.6 L/Min)
- Integrated bypass for use with diverter tub spouts
- Temperature and on/off control for 1 outlet

Product image



Scale drawing

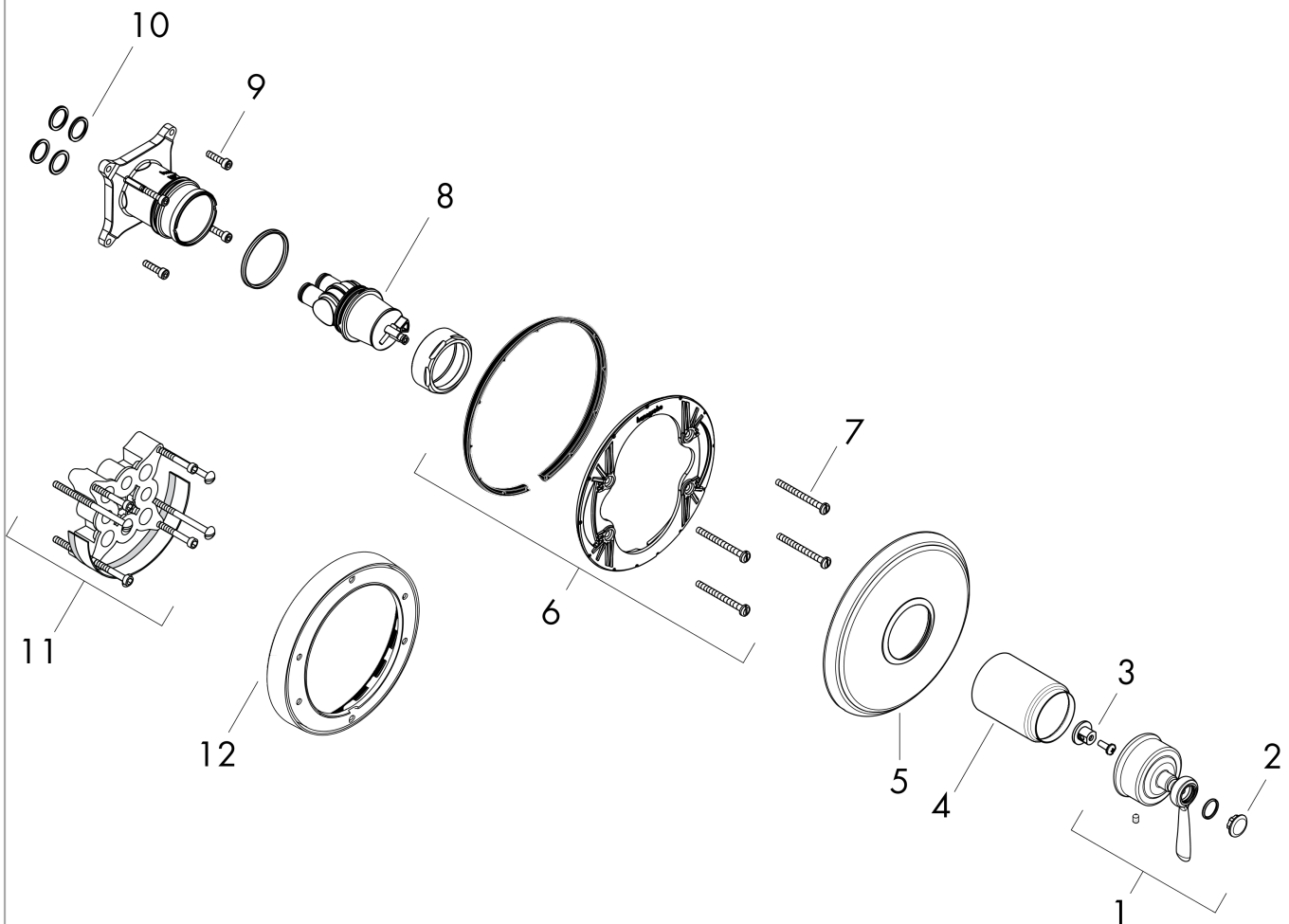


AXOR Montreux
Pressure Balance Trim
Finishes : **chrome** Part no. : **16508001**



Exploded drawing

Year of production: >04/09



AXOR Montreux
Pressure Balance Trim
 Finishes : **chrome** Part no. : **16508001**



Spare parts list

Year of production: >04/09

Pos.	Description	Part no.	PC	PU
1	handle	88776000	0	1
2	set of screw covers, cold / hot water / neutral	97987000	0	1
3	adapter for handle	92756000	0	1
4	sleeve	88765000	0	1
5	escutcheon	88777000	0	1
6	set of fixing screws	96454000	0	1
7	sub plate	96447000	0	1
8	cartridge, assy	88727000	0	1
9	set of screws	96525000	0	1
10	O-ring 16x2	98133000	0	1
a	base body	01850181	0	1