

**IMPORTANT**

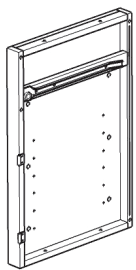
Carefully remove all the parts from the carton and place them individually on a soft cloth to prevent scratches or other damage.

Carefully and strictly follow these assembly instructions to ensure a completed product as designed.

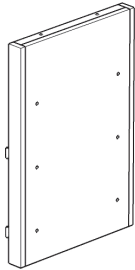
Do not use power tools above 8 volts to assemble.

Patent 8,584,600 B2

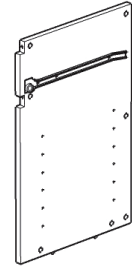
**Part List**



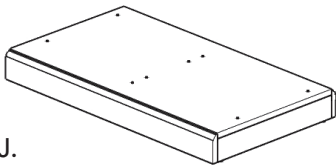
**B.**  
Side Panel  
1 pc.



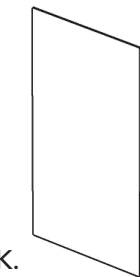
**C.**  
Side Panel  
1 pc.



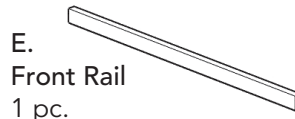
**D.**  
Middle Panel  
1 pc.



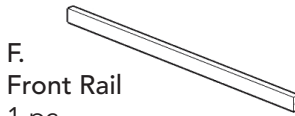
**J.**  
Base  
1 pc.



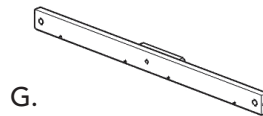
**K.**  
Back Panel  
2 pcs.



**E.**  
Front Rail  
1 pc.



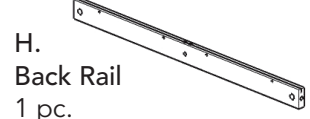
**F.**  
Front Rail  
1 pc.



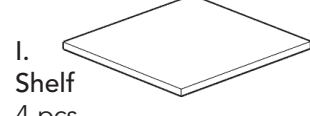
**G.**  
Back Rail  
1 pc.



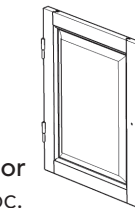
**L.**  
Back Upright  
1 pc.



**H.**  
Back Rail  
1 pc.



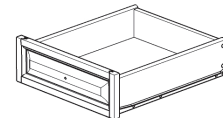
**I.**  
Shelf  
4 pcs.



**M.**  
Door  
1 pc.



**N.**  
Door  
1 pc.



**O.**  
Drawer  
2 pcs.

Refer to later page(s) of these instructions for drawer assembly.

**Hardware List**



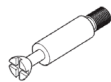
Hex Wrench  
1 pc.



Adjustable Pin  
16 pcs. (+1 extra)



Cam Lock  
15 pcs. (+2 extra)



Cam Lock Screw  
15 pcs. (+1 extra)



1/2" Round Head Screw  
4 pcs. (+1 extra)



3/4" Round Head Screw  
8 pcs. (+1 extra)



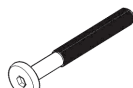
1" Round Head Screw  
16 pcs. (+1 extra)



Small Hex Wrench  
1 pc.



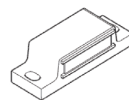
3/4" Flat Head Screw  
12 pcs. (+1 extra)



M6x35 Head Cap Bolt  
20 pcs. (+1 extra)



Flat Washer  
8 pcs. (+1 extra)



Magnet  
2 pcs.



M4x25 Machine Screw  
4 pcs.



Knob  
4 pcs.

Cartons 20 05020 0942 and 20 05008 0943 or 20 05009 0943 are also needed for assembly.

Tool(s) required for assembly: Phillips screwdriver, Level

Home Styles Customer Service: [www.homestyles-furniture.com](http://www.homestyles-furniture.com),  
 servicedesk@homestyles-furniture.com, 888-680-7460, 877-831-0319

## Assembly Instructions 2/9

### IMPORTANT

- Use a soft cloth between these parts and the floor.
- Do not use power tools above 8 volts to assemble.
- Do not tighten all the bolts until each part is properly assembled.
- The unit must be level to work properly. Use the included adjustable levelers to level.
- Keep Hex Wrench as the bolts may need to be tightened in the future.

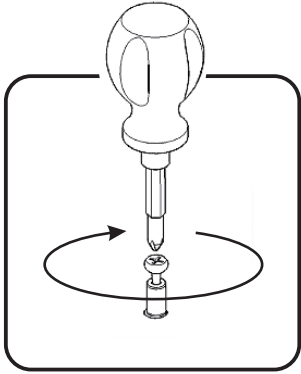
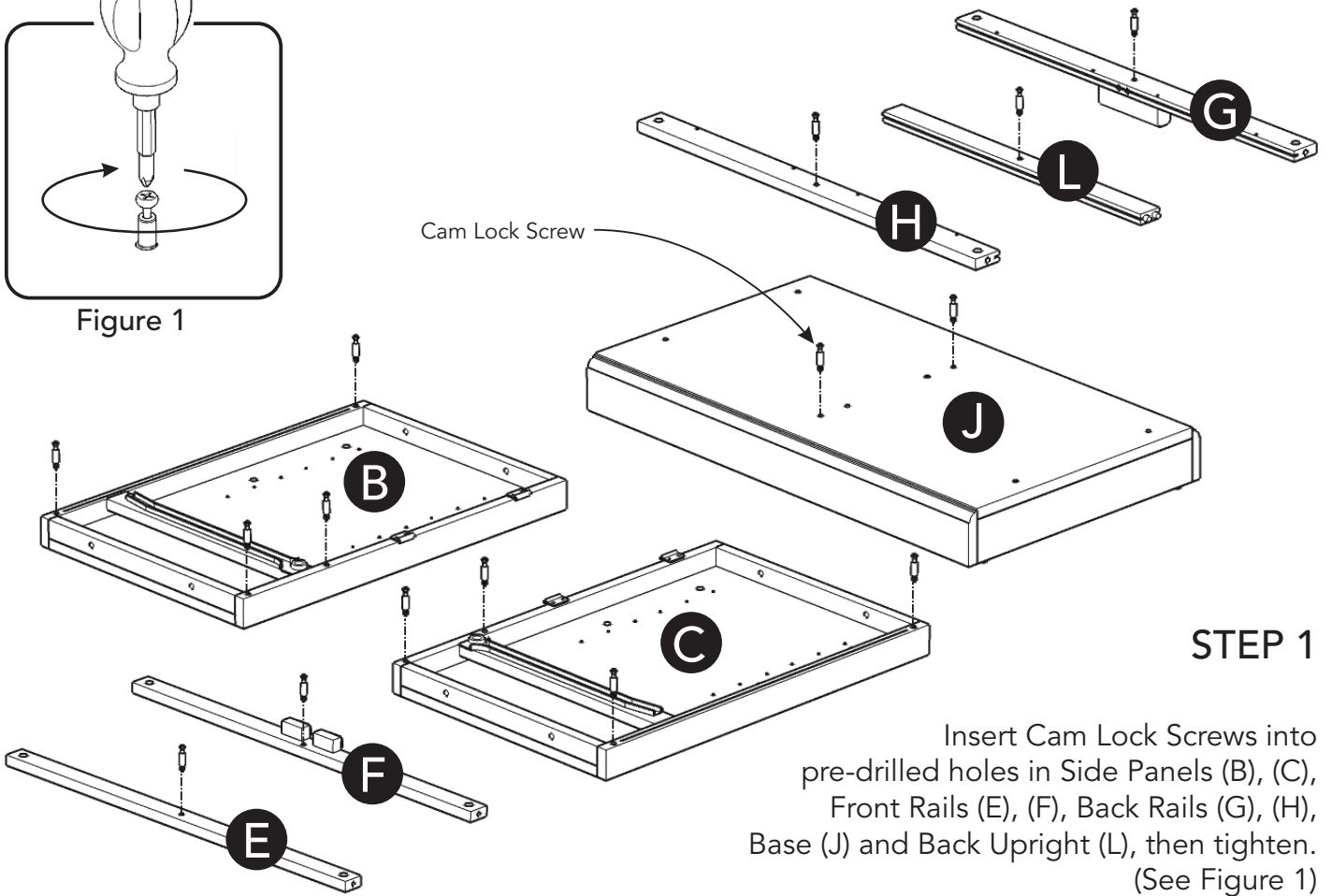


Figure 1



### STEP 1

Insert Cam Lock Screws into pre-drilled holes in Side Panels (B), (C), Front Rails (E), (F), Back Rails (G), (H), Base (J) and Back Upright (L), then tighten. (See Figure 1)

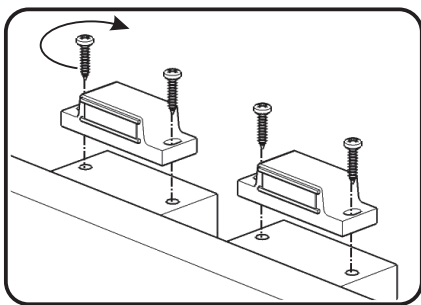
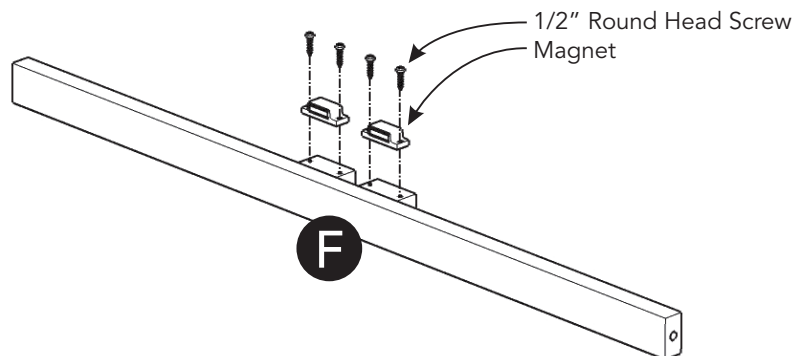


Figure 2



### STEP 2

Attach Magnets to Front Rail (F) with 1/2" Round Head Screws into pre-drilled holes. (See Figure 2)

**STEP 3**

Attach Middle Panel (D) to Back Rails (G), (H) and Back Upright (L) with Cam Locks.  
(See Figure 3)

Slide Back Panels (K) into position.

Attach Front Rails (E) and (F) to unit with Cam Locks.

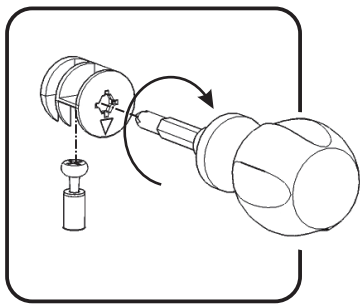
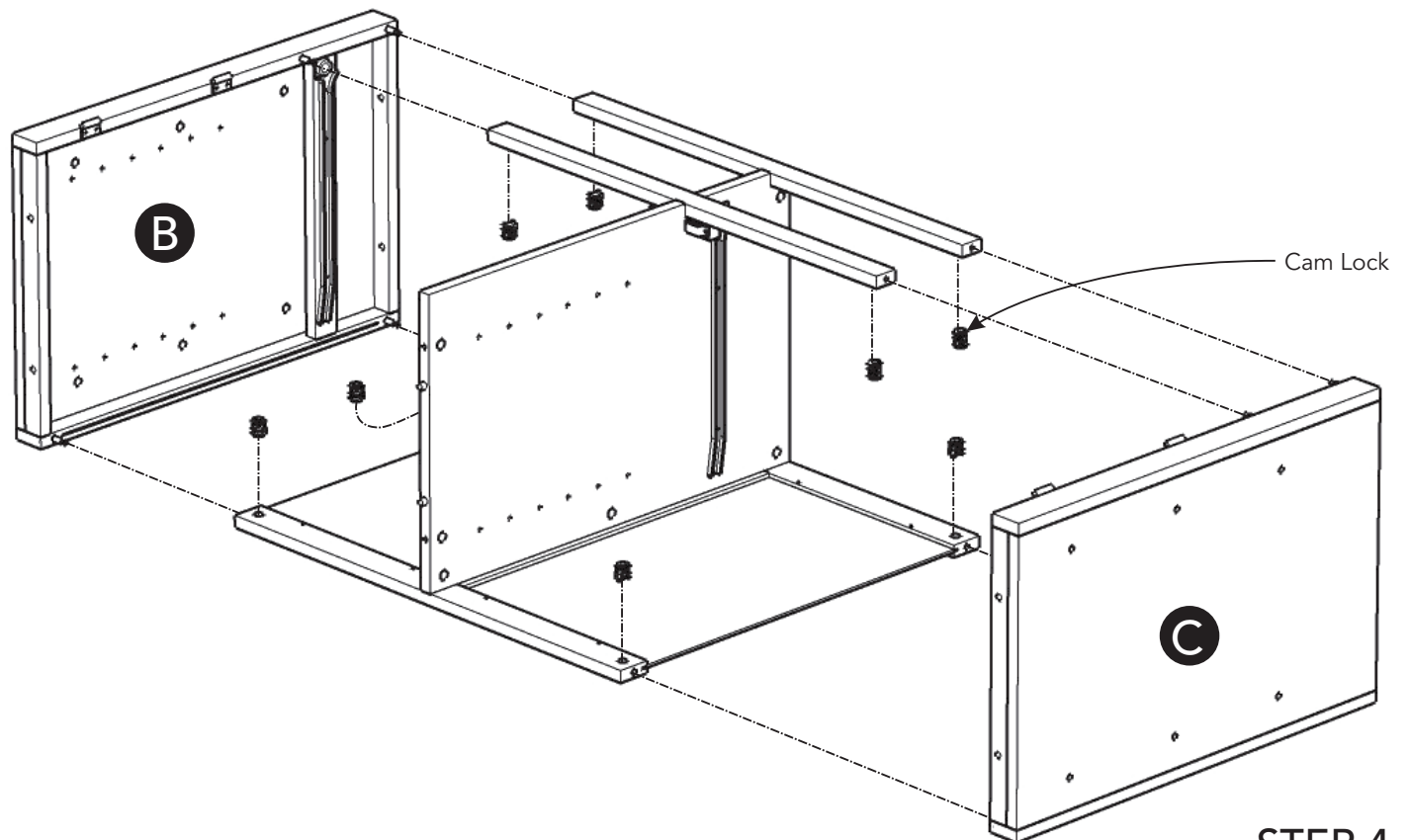
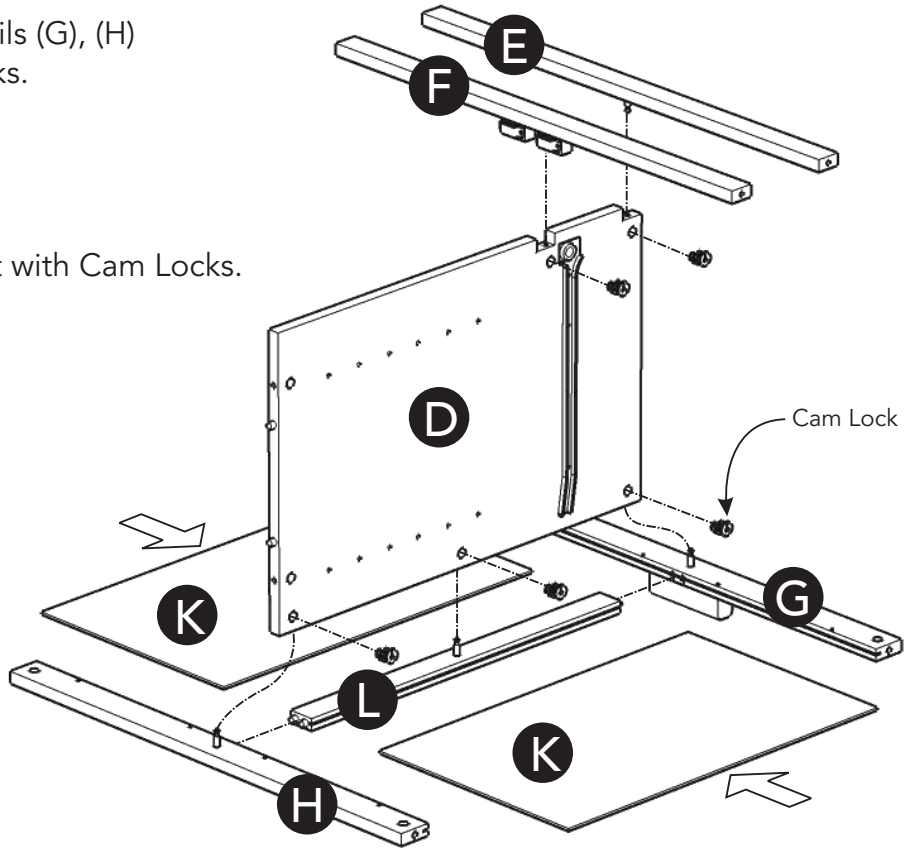


Figure 3



**STEP 4**

Attach Side Panels (B) and (C) to unit with Cam Locks.

## Assembly Instructions 4/9

### STEP 5

Attach Base (J) to unit with Cam Locks, Flat Washers and Head Cap Bolts.

Tighten bolts with Hex Wrench.  
(See Figure 4)

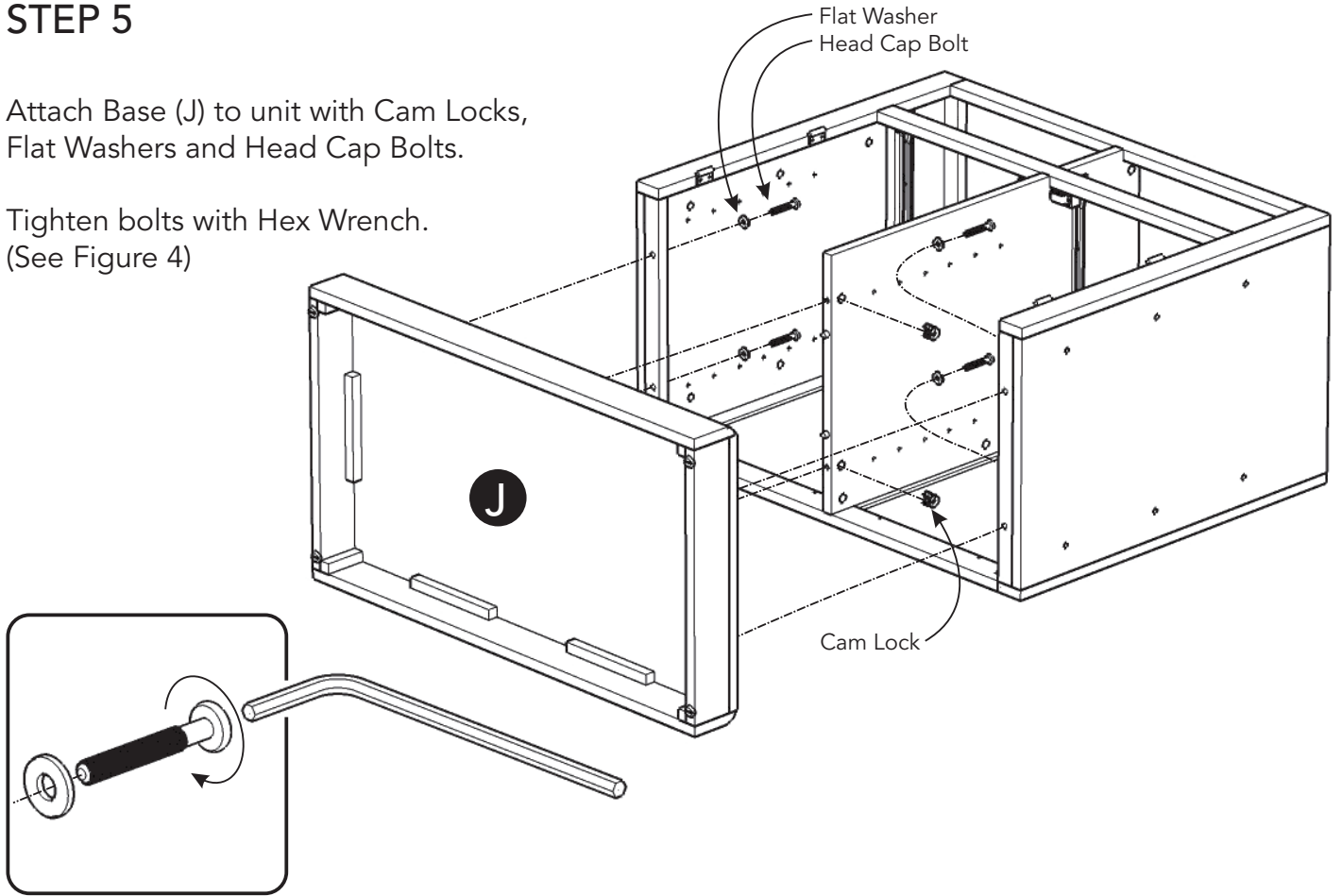


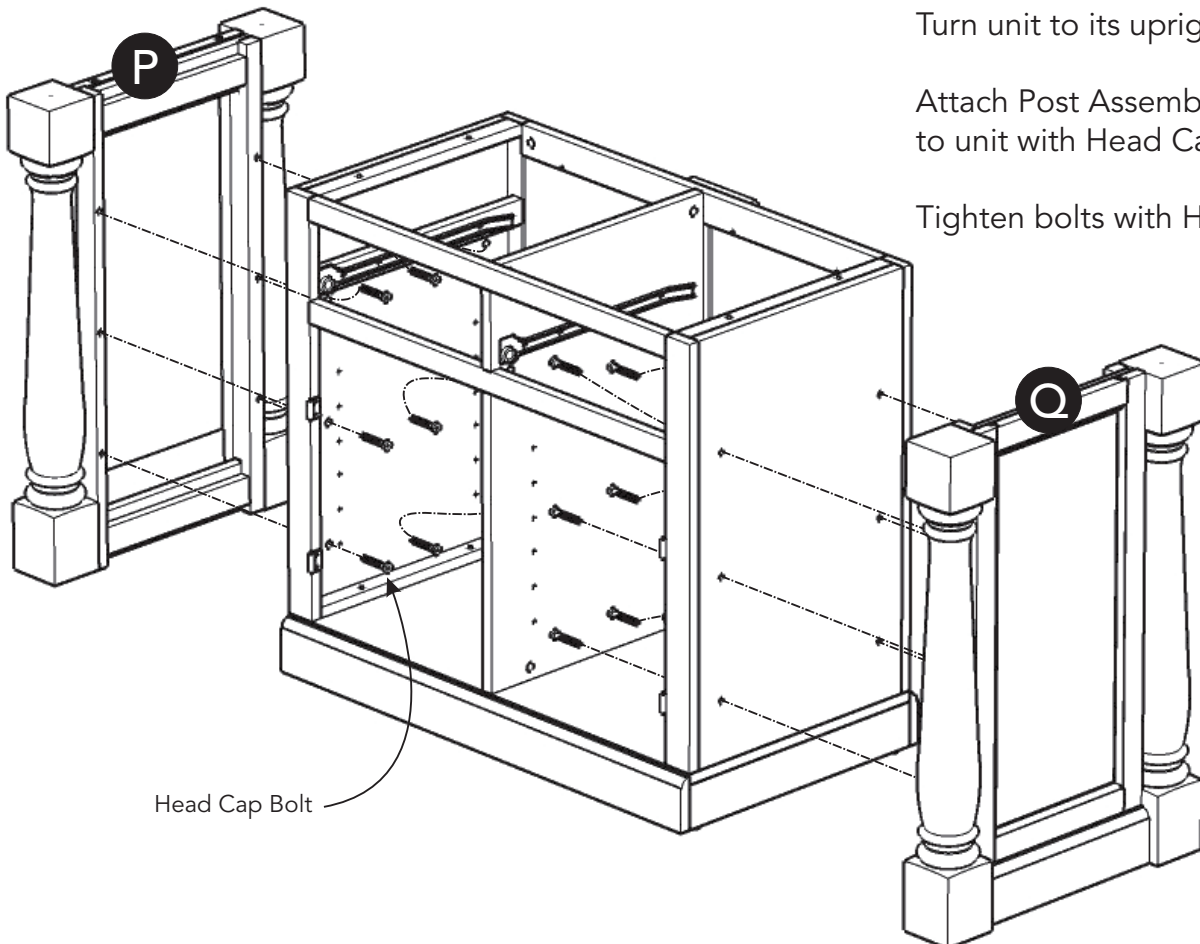
Figure 4

### STEP 6

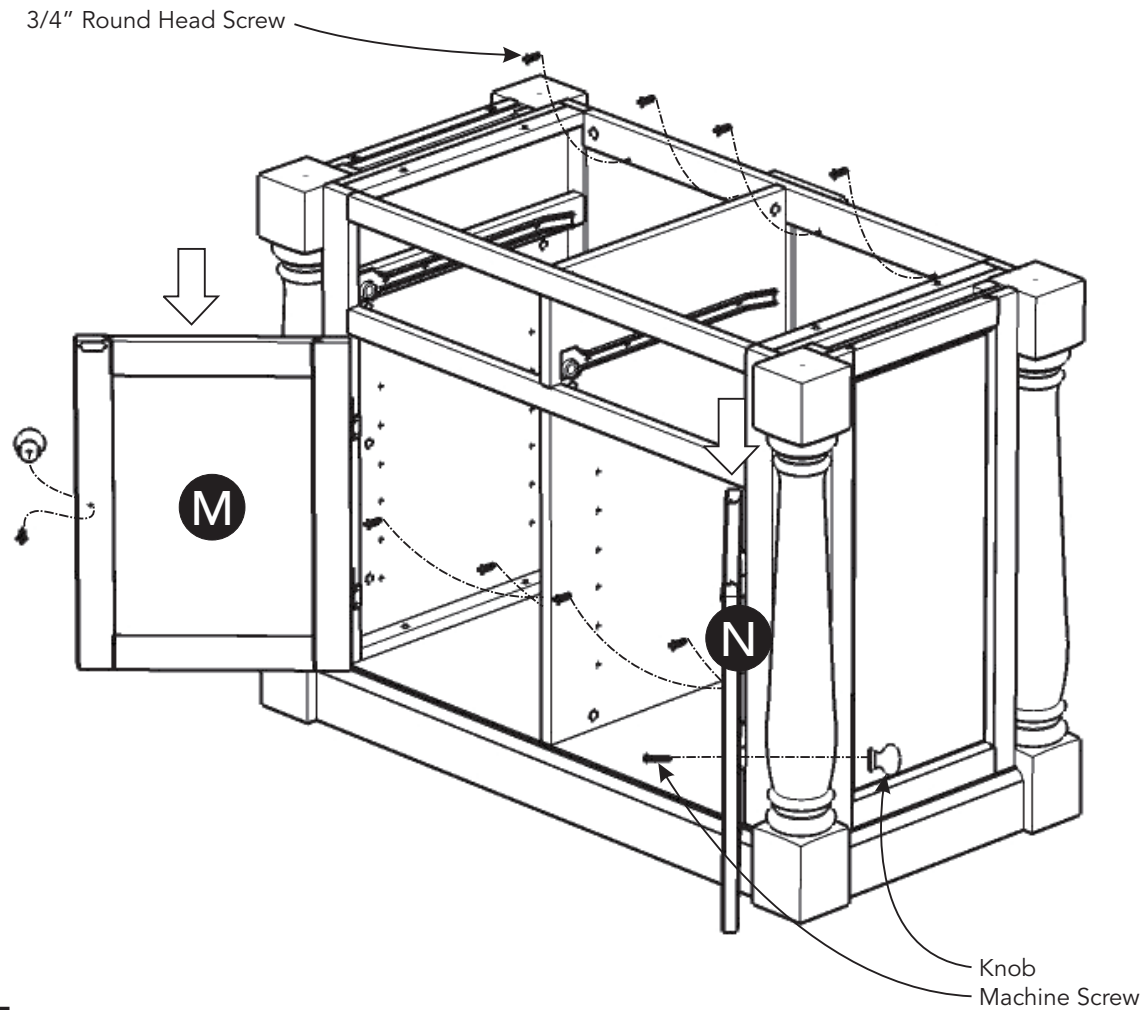
Turn unit to its upright position.

Attach Post Assemblies (P) and (Q) to unit with Head Cap Bolts.

Tighten bolts with Hex Wrench.



## Assembly Instructions 5/9



### STEP 7

Level unit by adjusting the adjustable levelers on bottom of unit. (See Figure 5)

Note: Unit must be level to proceed.

Insert 3/4" Round Head Screws into pre-drilled holes in back of unit, then tighten.

Note: Unit must be level before tightening these screws.

Attach Doors (M) and (N) to unit by sliding door hinges into side panel hinges. (See Figure 6)

Attach Knobs to Doors (M) and (N) with Machine Screws. (See Figure 7)

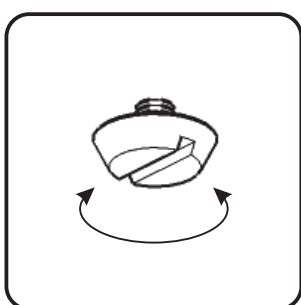


Figure 5

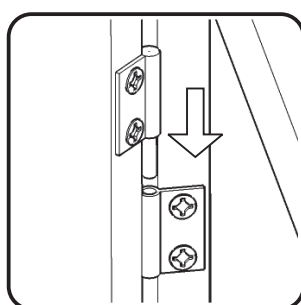


Figure 6

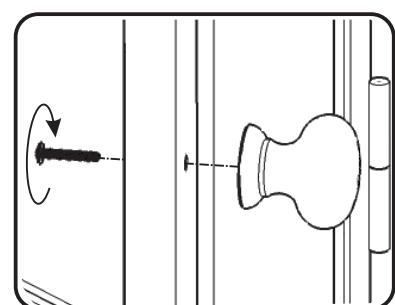
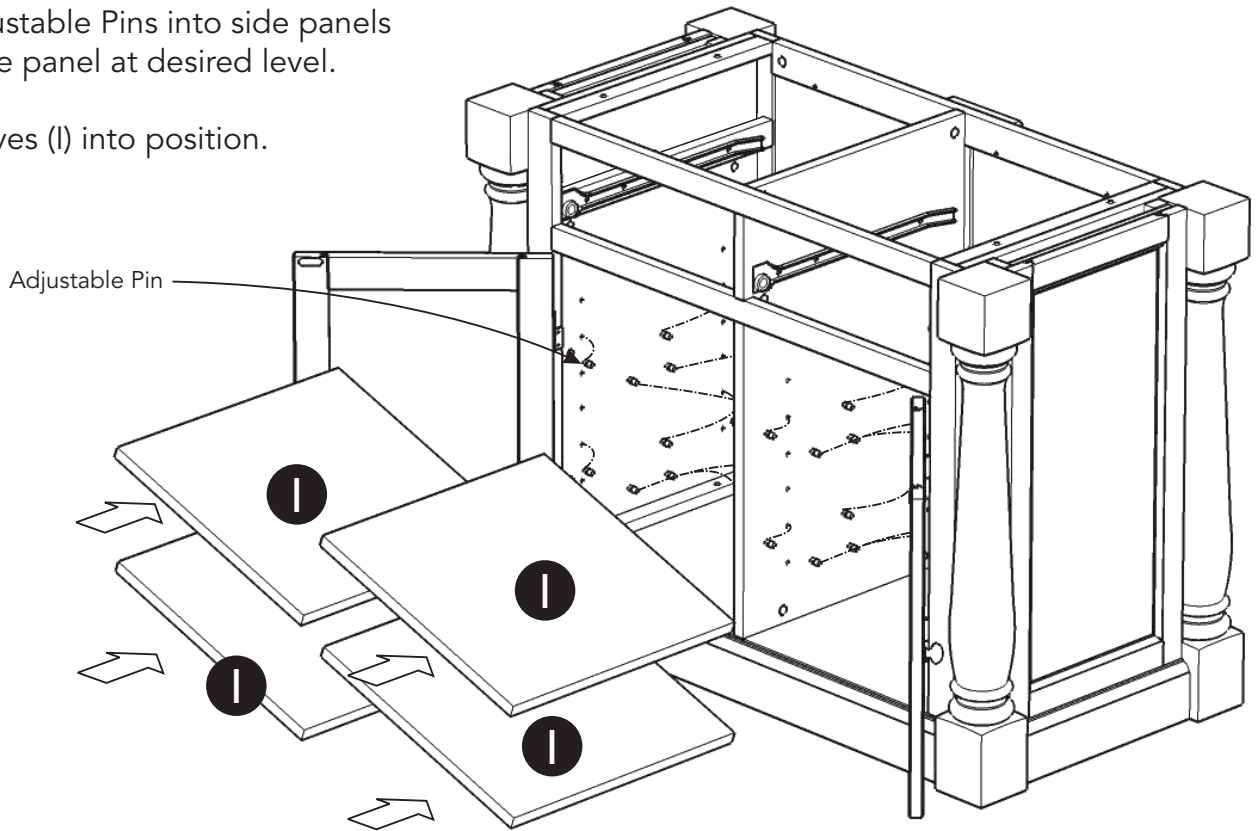


Figure 7

## STEP 8

Insert Adjustable Pins into side panels and middle panel at desired level.

Slide Shelves (I) into position.



## STEP 9

Place Top (A1) and Leaf Top (A2) upside down on a soft cloth.

Attach Leaf Top (A2) to Top (A1) with 3/4" Flat Head Screws into pre-drilled holes. (See Figure 8)

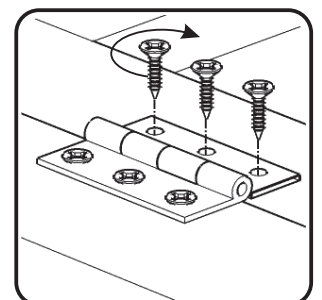
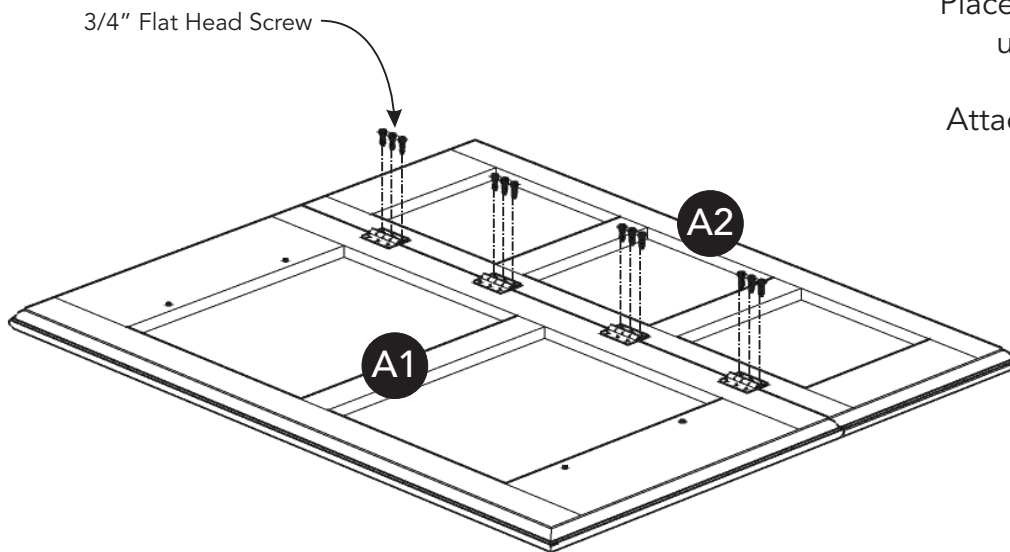
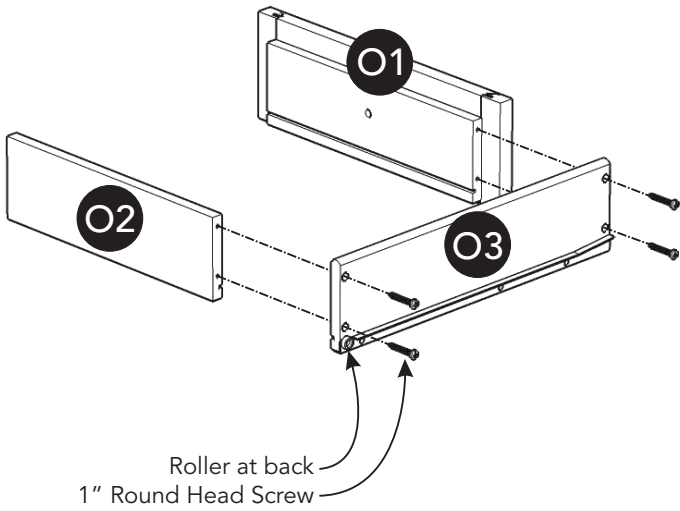


Figure 8

# Assembly Instructions 7/9

## Drawer (O)



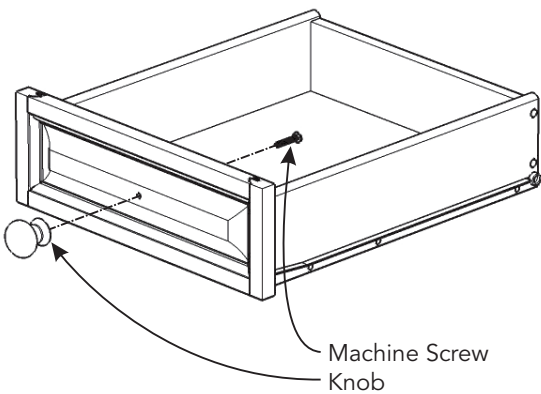
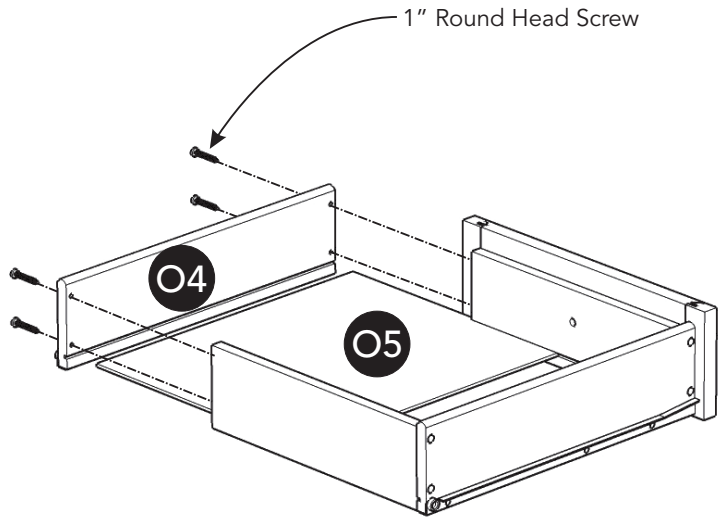
### STEP 10

Attach Drawer Front (O1) and Drawer Back (O2) to Drawer Side (O3) with 1" Round Head Screws.

### STEP 11

Slide Drawer Bottom (O5) into groove.

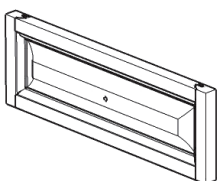
Attach Drawer Side (O4) to unit with 1" Round Head Screws.



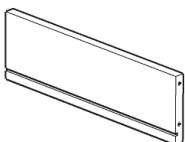
### STEP 12

Attach Knob with Machine Screw.

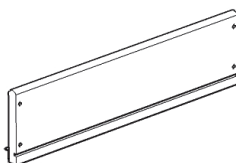
## Part List



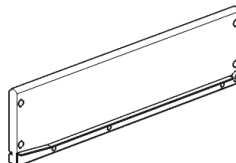
O1.  
Drawer Front  
2 pcs.



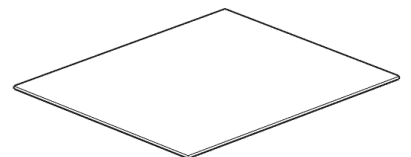
O2.  
Drawer Back  
2 pcs.



O3.  
Drawer Side  
2 pcs.



O4.  
Drawer Side  
2 pcs.



O5.  
Drawer Bottom  
2 pcs.

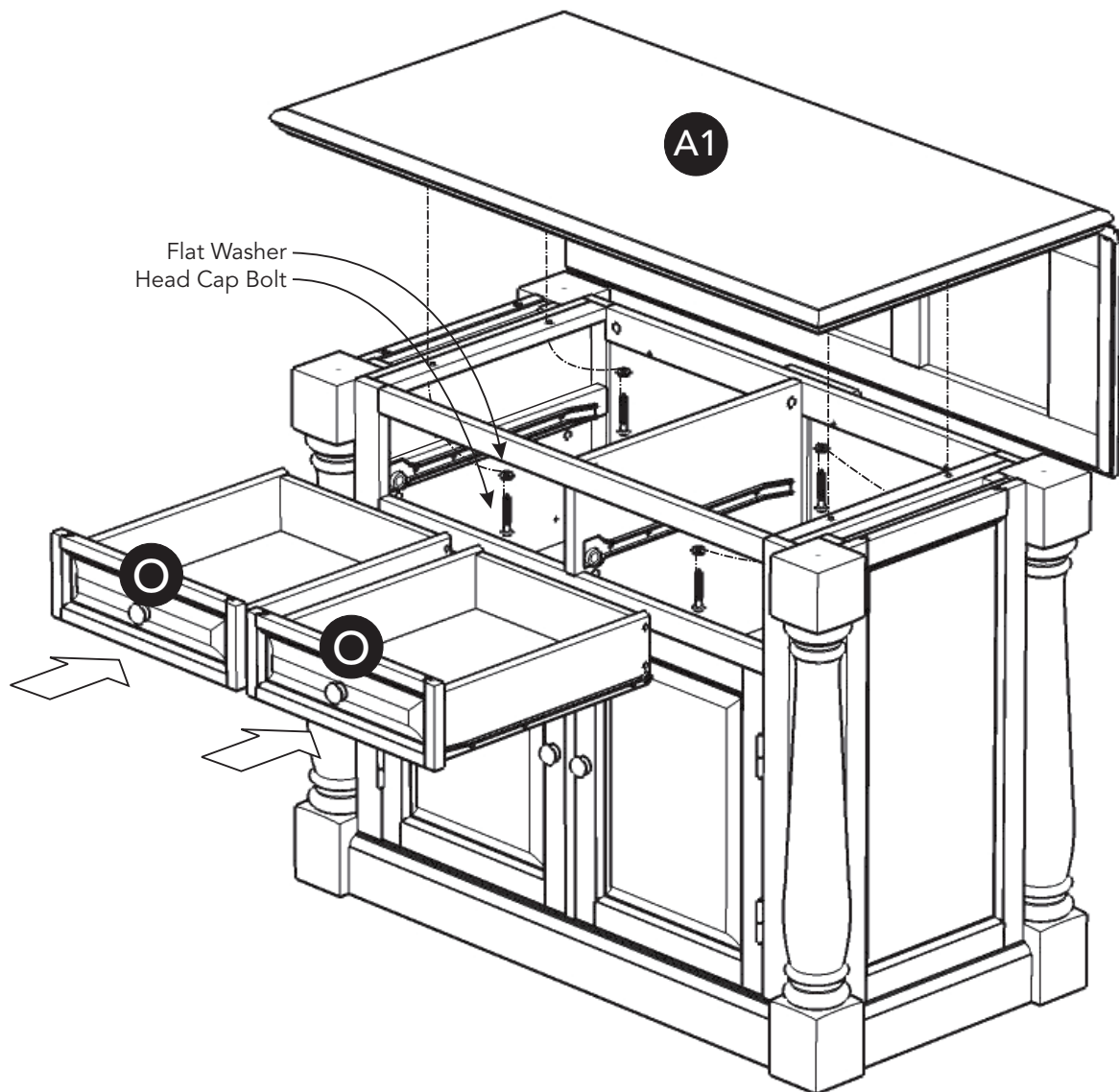
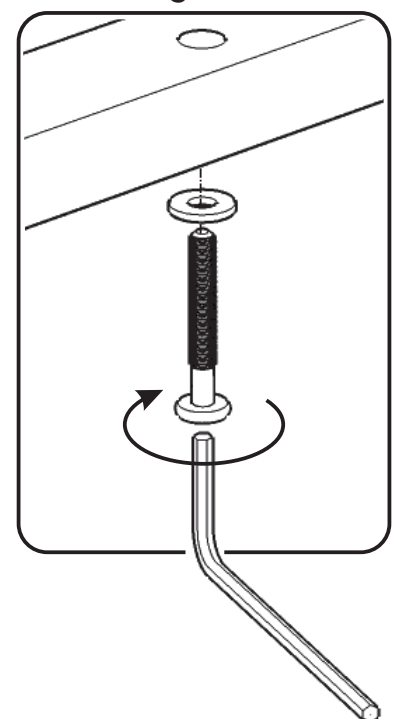


Figure 9

### STEP 13

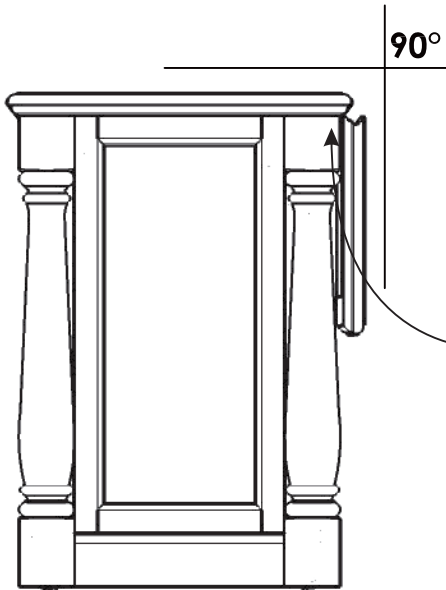
Attach Top (A1) to unit with Flat Washers and Head Cap Bolts.  
(See Figure 9)

Slide Drawers (O) into position.





**STEP 14**



When leaf top is down, it should be oriented vertically.

If it is not vertical and adjustment is desired, turn the adjuster on adjuster block on back rail. (See Figure 10)

Adjuster Block

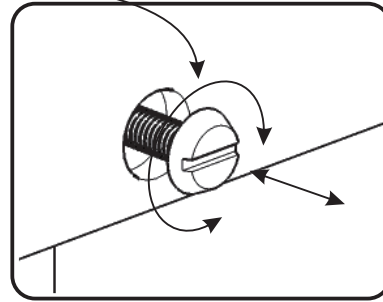
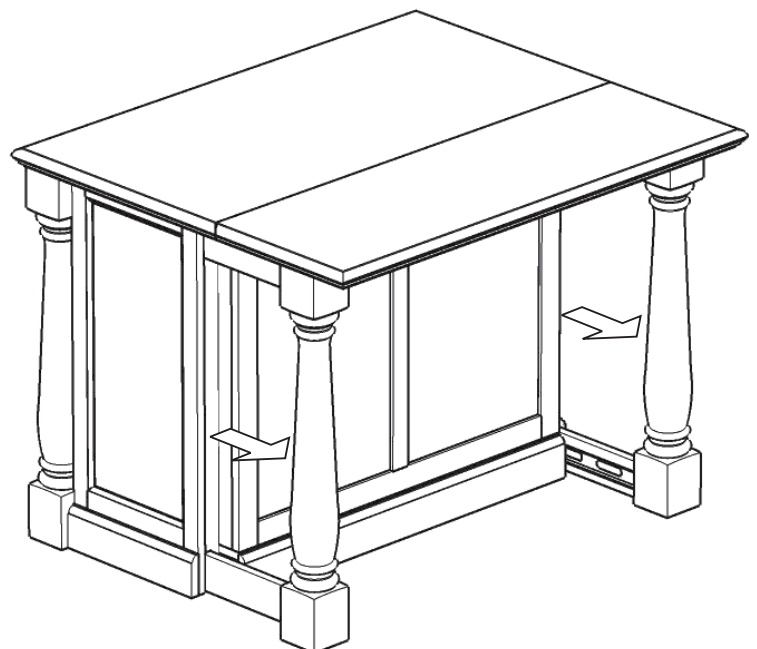
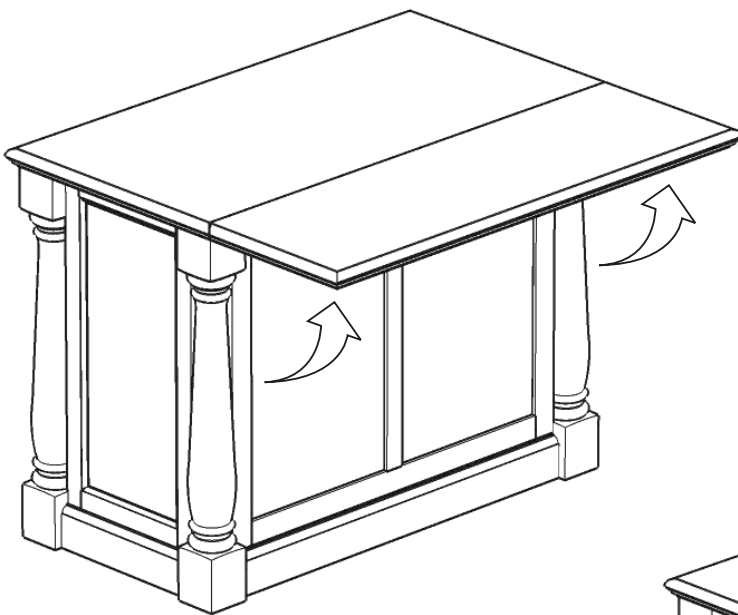


Figure 10

**Top Extension Instructions**

**STEP 15**

Lift up leaf top.



**STEP 16**

Holding leaf top up, pull out a back post from unit; then pull out other back post.

Note: Unit must be level to work properly.

# CARE INSTRUCTIONS

## NEVER

allow liquids to remain on furniture.  
Absorption causes parts to warp  
and split and finishes to delaminate.

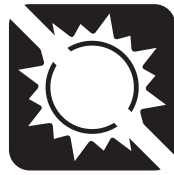
## NEVER

use glass cleaners on  
finished furniture. Ammonia  
chemically attacks the finish.



Do not use power tools  
above 8 volts to assemble.

**PREVENT  
CRACKING**



Do not place  
in direct sunlight.

**PREVENT  
FADING**



Do not write  
directly on surface.

**PREVENT  
MARKING**



Do not place hot  
objects on surface.

**PREVENT  
FINISH DAMAGE**



Do not use rubber  
based placemats.

**PREVENT  
DISCOLORING**



Do not use commercial  
waxes and polishes.

**PREVENT  
YELLOWING**

## CLEAN

with a soft cloth moistened  
in lukewarm soap and water.  
Buff with a dry clean cloth.



Home Styles will provide replacements free of charge for missing or damaged hardware or parts within 30 days of purchase. Digital images of the defective parts may be required. If the product was not purchased from an authorized retail affiliate, Home Styles is under no obligation to provide replacement parts. Parts are not available for fully assembled items nor are parts available for sale. Replacements for missing or damaged hardware or parts may be requested at:

[www.homestyles-furniture.com/customer-service/replacement-parts](http://www.homestyles-furniture.com/customer-service/replacement-parts)

Home Styles Customer Service: [www.homestyles-furniture.com](http://www.homestyles-furniture.com),  
[servicedesk@homestyles-furniture.com](mailto:servicedesk@homestyles-furniture.com), 888-680-7460, 877-831-0319