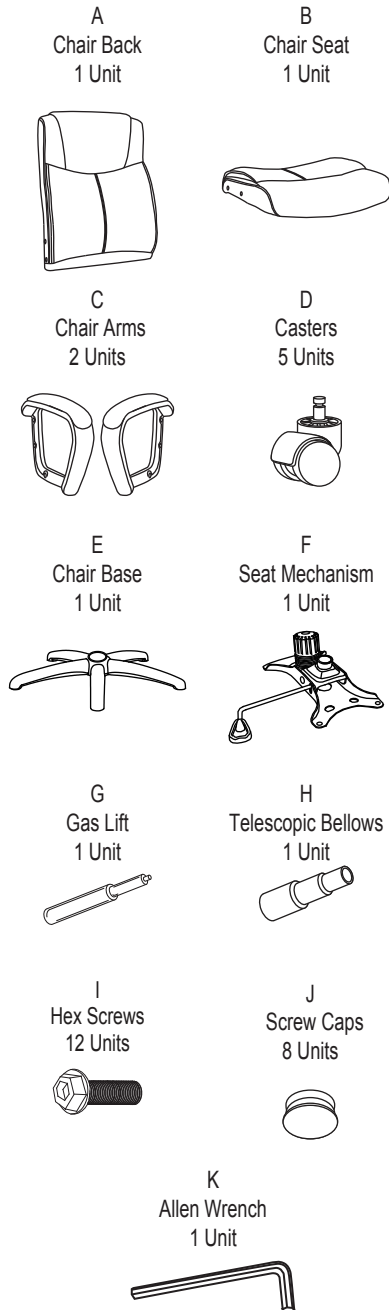


# Model ESS-103-BLK High Back Manager Chair (Black)

## Parts Listing

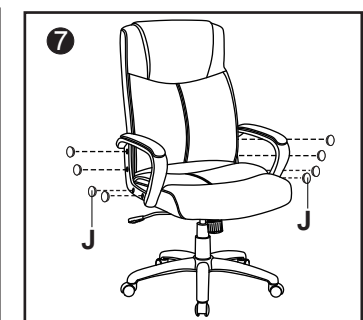
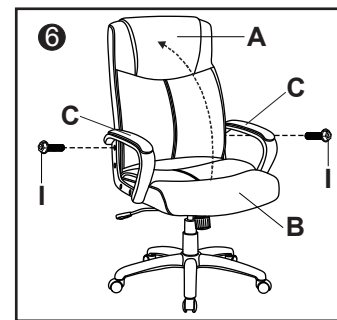
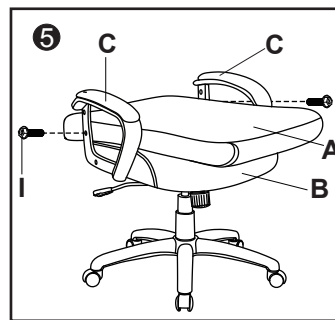
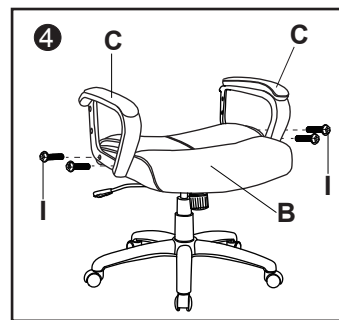
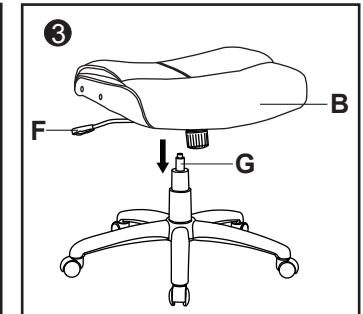
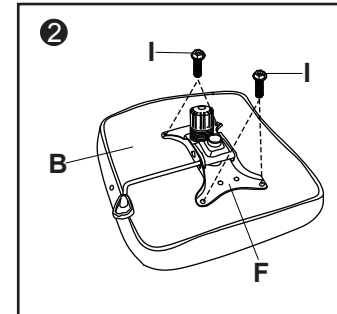
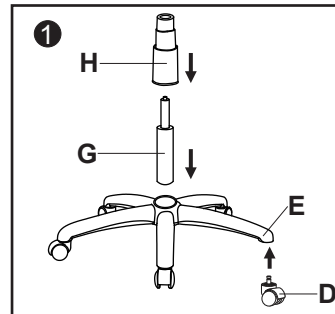


## Assembly Instructions

**Tools Needed: Allen Wrench - Supplied**

**Please read all instructions before assembly.**

- Step 1:** Insert Casters (D) into Chair Base (E). Insert Gas Lift (G) into Chair Base (E). Cover Gas Lift (G) with Telescopic Bellows (H).
- Step 2:** Attach Seat Mechanism (F) to bottom of Chair Seat (B) using Screws (I). Tighten with Allen Wrench (K).
- Step 3:** Attach Chair Seat (B) by inserting top of Gas Lift (G) into the hole in the center of the Seat Mechanism (F). Press down firmly on Chair Seat (B) to secure.
- Step 4:** Attach Chair Arms (C) to Chair Seat (B) using Screws (I). Tighten with Allen Wrench (K).
- Step 5:** Place Chair Back (A) on the Chair Seat (B) as shown. Attach Screws (I) to lower holes.
- Step 6:** Pivot the Chair Back (A) *up*, then attach using remaining Screws (I) for the upper holes. Tighten all Screws (I) on both sides to secure Chair Back (A) in upright position.
- Step 7:** Attach Screw Caps (J) to cover exposed Screws on Chair Arms (C).



**WEIGHT CAPACITY: 250 lbs.**

### Assembly Notes:

During assembly, hand tighten screws only. When all screws are in place, you may then tighten all screws completely.

### CAUTION:

1. Do not use this chair as a step ladder.
2. Check for loose screws and tighten them every 6 months.

