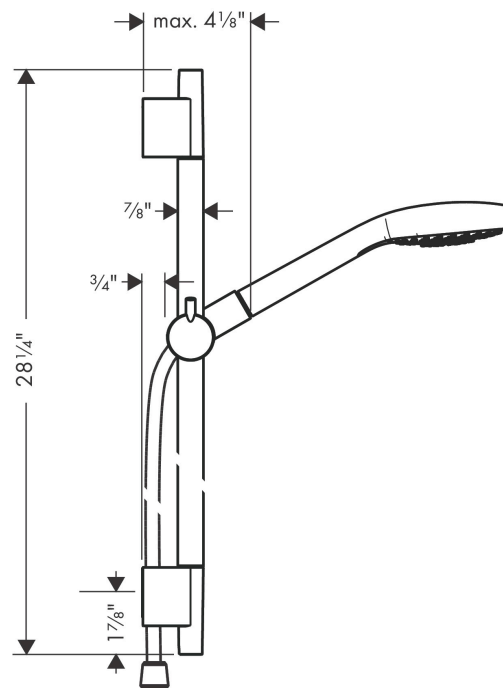


Brand	hansgrohe
Art. Name	Croma Select E Wallbar Set 110 3-Jet 24", 2.5 GPM
Art. Nr.	04941820
Surface	brushed nickel
Pos.	1

Product Picture



Drawing



Technology



Features

- Consists of: Handshower, Wallbar, Handshower hose
- Spray modes: SoftRain, IntenseRain, Pulsating Massage
- Select button for comfortable alternation of spray modes
- Angle-adjustable holder pivots left and right, slides easily and locks in place
- Flow: 2.5 GPM (9.5 L/Min)
- Shower bar diameter: 22 mm
- wall mounted: Fastens with screws