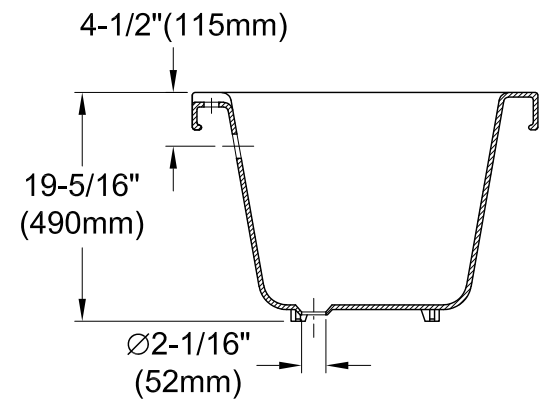
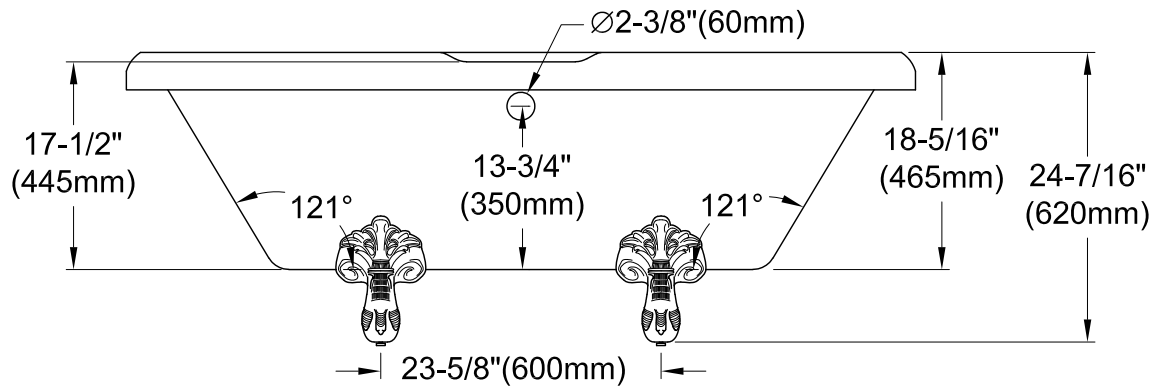
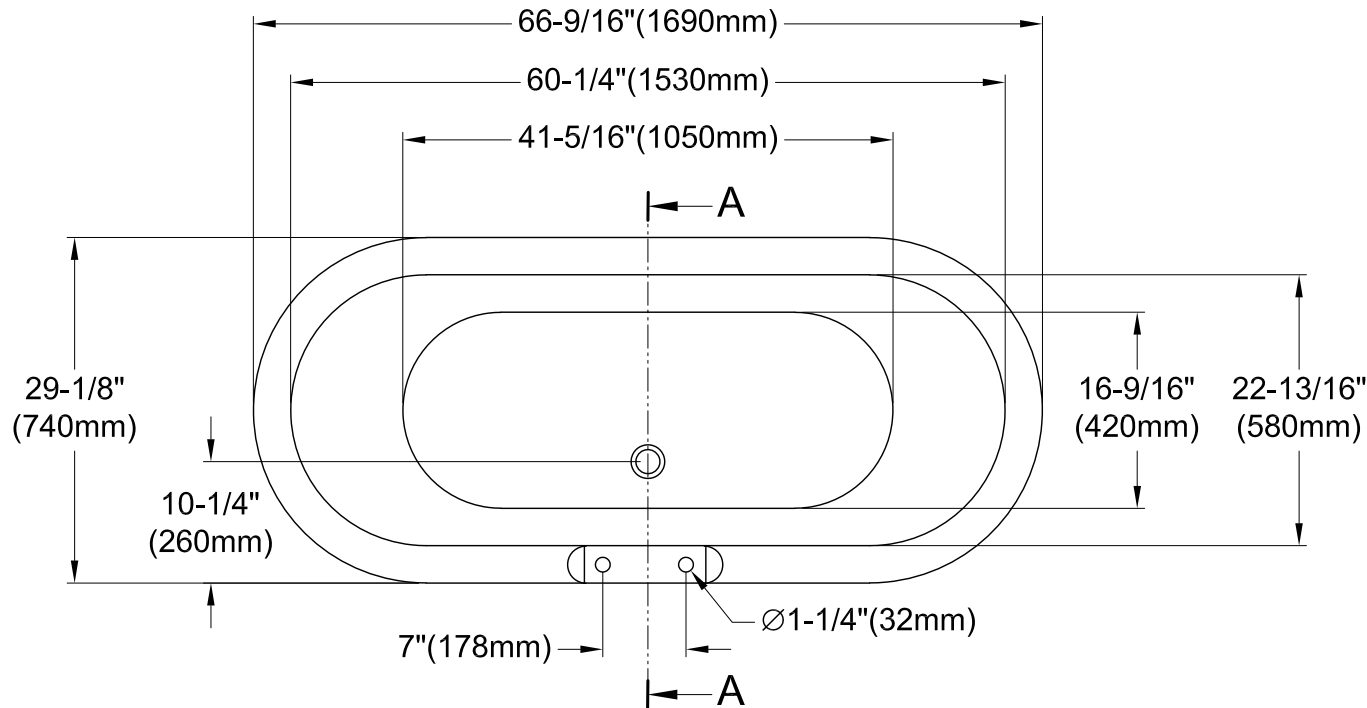


VT7DS673023H1,2,5,8

67" Acrylic Bathtub With 7" Faucet Drillings



Section A-A