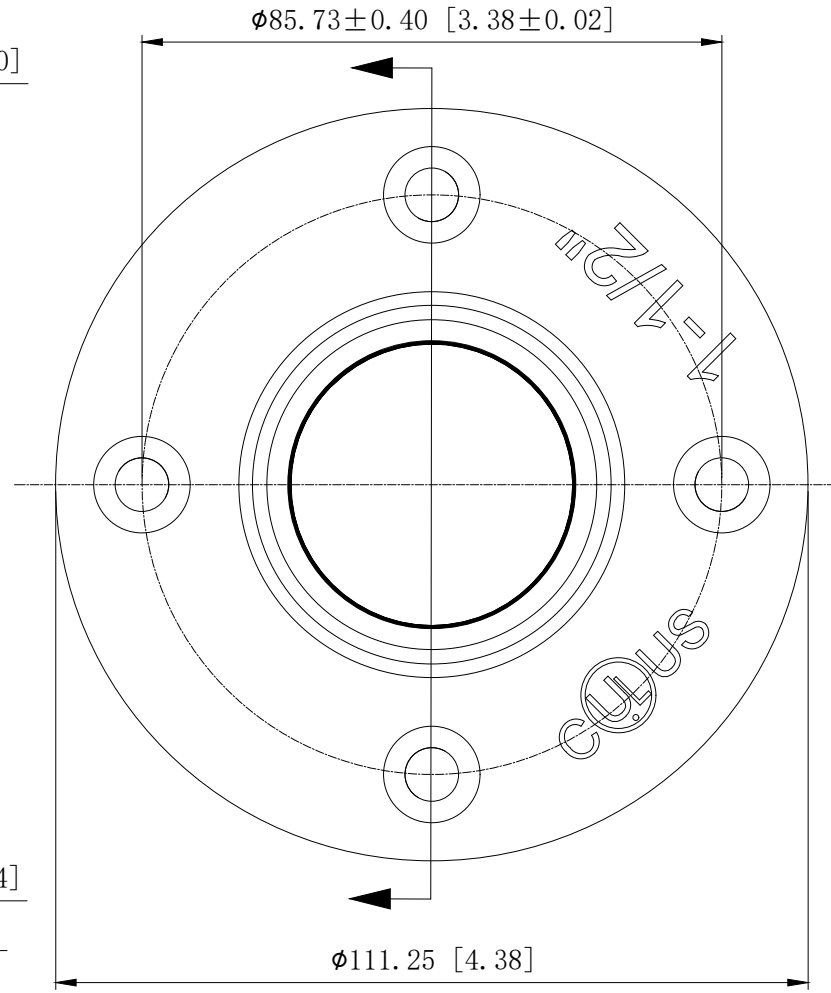
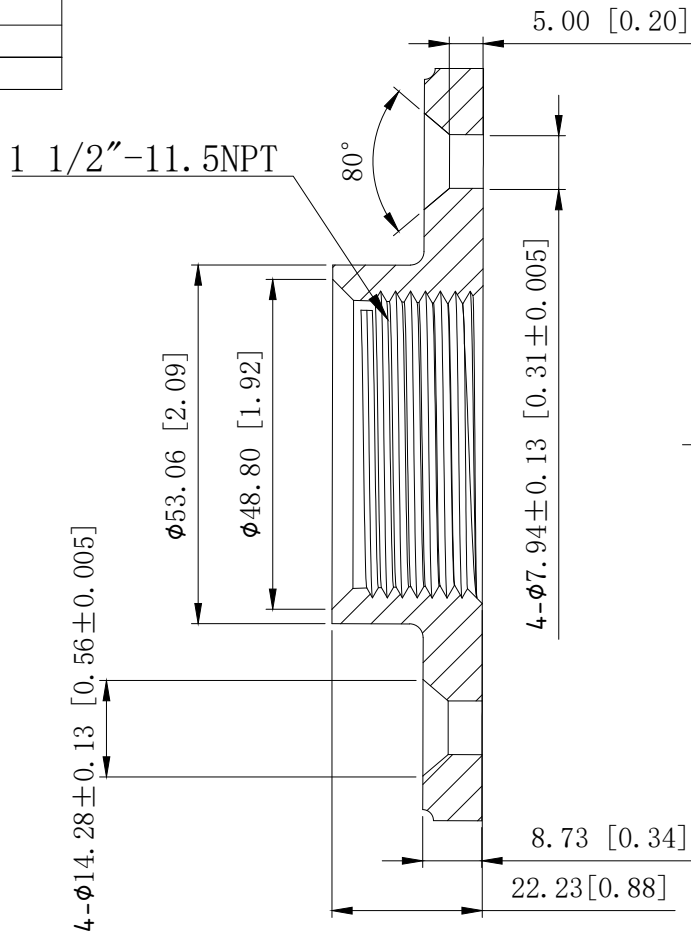


SIDES	BOTTOM
Material: Malleable, zinc plated	



This data sheet is for reference only .GARVIN INDUSTRIES reserves the right to make changes to the design without prior notice.

DESCRIPTION
TRADE REFERENCE TERMS

STANDARD PACKING	GARVIN INDUSTRIES		
25 PCS			
	TITLE		
	SIZE	DWG NO.	REV
	A4	FF150	B
DATA SHEET			