

# SCHOOLHOUSE

## Teig Lamp



**Application:** Table Lamp

**Product Origin:** Processed and assembled in Portland, Oregon using ethically-sourced domestic and global components.

**UL Listed:** Yes

**Max Wattage:** 7 W

**Voltage:** 120/220 V

**Location Rating:** Damp

**Dimensions:**

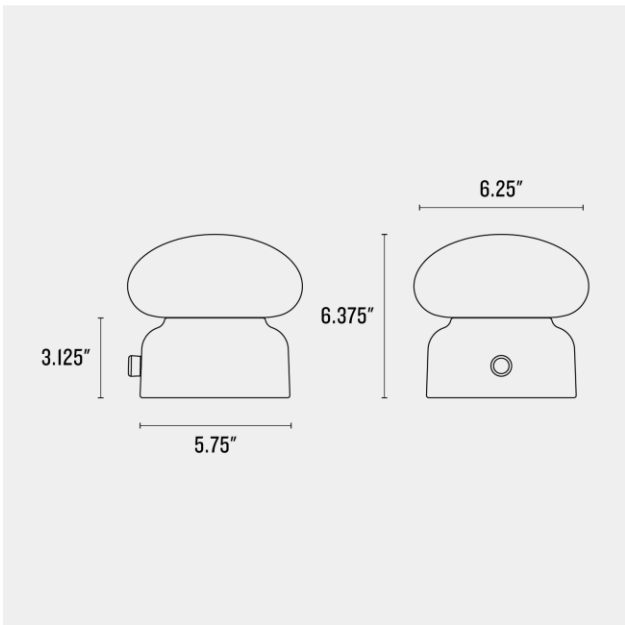
Height: 6.37"

Diameter: 6.25" Dia

**Materials:** Steel / Glass

**Details:** Features a dimming power knob. Includes a dimmable G16 Clear LED Bulb (5W, 3000K, 400 lm, CRI 95)

One year guarantee



Industrial Yellow (YE)



Ash (ASH)



Alder Green (AGR)

### Cord Options



Black Cloth Covered Vinyl (BCV)