

Lasko®

1700 Meacham Boulevard
Fort Worth, Texas 76106

ASSEMBLY OF 12" and 16" OSCILLATING FANS

This Fan is for residential use only.
It is not intended to be used in commercial or industrial settings.



READ AND SAVE THESE INSTRUCTIONS
READ CAREFULLY BEFORE ATTEMPTING TO ASSEMBLE,
INSTALL, OPERATE OR MAINTAIN THE PRODUCT DESCRIBED.
PROTECT YOURSELF AND OTHERS BY OBSERVING ALL SAFETY
INFORMATION. FAILURE TO COMPLY WITH INSTRUCTIONS COULD
RESULT IN PERSONAL INJURY AND/OR PROPERTY DAMAGE!

**Have a Question? Need a Part?
Please Do Not Return Product to Store!
Contact Lasko Customer Service:
1-800-233-0268 Monday-Friday 8AM - 5PM EST.**



WARNING



IMPORTANT SAFETY INFORMATION

When using electrical appliances, basic precautions should always be followed to reduce the risk of fire, electrical shock and injury to persons, including the following:



Read all instructions before using this Fan.



WARNING

TO REDUCE THE RISK OF FIRE, ELECTRICAL SHOCK OR PERSONAL INJURY, ALWAYS FOLLOW THESE IMPORTANT SAFETY INSTRUCTIONS AND WARNINGS:

DO NOT use this fan to ventilate areas where flammable liquids or vapors are used, stored or are present, including paints, gasoline, varnishes, floor refinishing products or solvents. ALWAYS read and follow all warnings and instructions on the containers for these products!

ALWAYS be sure the plug fits tightly into the outlet. When plugs fit loosely into outlets, they may slip partially out of the outlet and create a poor connection. This may cause outlets to overheat and create a potential fire hazard. Outlets in this condition should be replaced by a qualified electrician.

ALWAYS unplug the power cord when servicing, cleaning or moving the Fan. **DO NOT** use the ON/OFF switch as the sole means of disconnecting power. **NEVER** leave children unattended when the Fan is on or plugged in. **ALWAYS** turn off and unplug the Fan when not in use.

BE CERTAIN that the power source for the Fan is 120V AC. **DO NOT** plug the Fan into 240V or other power source.

The **Blue Plug™** on your Lasko fan is a safety feature. It contains a non-replaceable safety device (fuse) that should not be removed or tampered with. To reduce the risk of fire, electric shock and personal injury, **DO NOT** attempt to remove, replace, repair or tamper with the originally supplied plug. If the Fan has stopped functioning, it may be due to the safety device incorporated in this plug.

THIS FAN HAS A POLARIZED PLUG (one blade is wider than the other). This plug is designed to fit into the outlet only one way. Match the wide blade to wide slot in outlet and **FULLY INSERT**. **DO NOT** attempt to bypass or defeat this safety feature. If the plug does not fit in the outlet, consult a qualified electrician. The outlet may need to be replaced.

CAUTION

- **AVOID** the use of extension cords, power strips, power taps, outlet style air fresheners or other cord connected device, as these devices may overheat and cause a fire hazard.
- **DO NOT** route power cord under rugs, carpets, runners or furniture. This may damage the cord or cause it to overheat creating a fire hazard.
- **ALWAYS** place the Fan on a stable, flat, level surface while in operation to prevent the Fan from overturning.
- **NEVER** insert or allow fingers or objects to enter grill openings while Fan is in operation or injury and/or damage to the Fan may occur.
- **DO NOT** block, cover or obstruct air flow to or from the fan while in operation.
- **DO NOT** use this Fan outdoors or near water or wet locations such as a bath tub, pool or hot tub. Use of this Fan in a wet location may create a shock hazard.
- **DO NOT** run cord under carpeting. Do not cover cord with throw rugs, runners, or similar coverings. Do not route cord under furniture or appliances. Arrange cord away from traffic area and where it will not be tripped over.
- **NEVER** use a single extension cord to operate more than one Fan or other electrical device.
- **DO NOT** use this Fan if it has been damaged or is not functioning properly.
- Remote controls for other appliances or electronic equipment can sometimes interfere with the operation of this Fan. If this occurs, move the Fan to another location.
- Keep Fan remote control unit away from chairs and your bed where it may be sat or laid upon and inadvertently turn on the Fan.
- **THIS FAN DOES NOT MEET THE REQUIREMENTS OF NEC ARTICLE 547-7 (2008).** This Fan is not suitable for use in agricultural facilities including areas where livestock, poultry or other animals are confined. Please refer to National Electric Code (NEC) Article 547-7 (2008), or applicable state or local codes or standards relating to electrical requirements for agricultural buildings.
- **THIS FAN DOES NOT MEET THE REQUIREMENTS OF NEC ARTICLE 500 (2008).** This Fan is not suitable for use in hazardous locations. Please refer to National Electric Code (NEC) Article 500 or applicable state or local codes or standards relating to electrical requirements for hazardous locations.

SAVE THESE INSTRUCTIONS

TROUBLE SHOOTING TIPS

If your Fan fails to operate, see below for a list of probable causes and solutions:

1. Be sure the power cord is plugged into a working electrical outlet.

MAINTENANCE

WARNING To reduce the risk of electrical shock and fire please observe the following instructions:

- Always unplug the cord before moving, servicing or cleaning.
- **NEVER** place the Fan in or near water.
- Disassembled grills may be immersed to be cleaned with a mild detergent and water. Wipe all other parts with soft cloth moistened with water and mild detergent only. **DRY ALL PARTS COMPLETELY BEFORE REASSEMBLING.** After any maintenance or servicing, completely reassemble unit as described in this instruction manual before reconnecting to the power supply.
- **NEVER** use ALCOHOL or SOLVENTS such as gasoline, benzene, paint thinner, or other harsh cleaners.

SERVICING: All other servicing, with the exception of general user maintenance, should be performed by an authorized service representative. Call 1-800-233-0268, Monday through Friday, between the hours of 8:00 a.m. and 5:00 p.m. EST for the location of your nearest service center.

LUBRICATION: Motor is permanently lubricated.

STORAGE: Store the Fan with these instructions, in the original carton in a cool, dry place.

DISPOSITION: Corrugated packaging materials are recyclable. For environmentally responsible disposal of this product, contact your local waste service provider or visit www.1800recycling.com.

LASKO PRODUCTS, LLC LIMITED WARRANTY (VALID IN THE USA, ITS TERRITORIES, AND CANADA ONLY)

WHAT THIS WARRANTY COVERS: This product is warranted against defects in workmanship and/or materials.

HOW LONG THIS WARRANTY LASTS: This warranty extends only to the original purchaser of the product and lasts for one (1) year from the date of original purchase or until the original purchaser of the product sells or transfers the product, whichever first occurs.

WHAT LASKO WILL DO: Lasko will, at its sole option, repair or replace any part or parts that prove to be defective or replace the whole product with the same or comparable model. For all warranty claims, the product must be returned to Lasko Products, LLC at customer expense with proof of purchase within the warranty period. Contact the Lasko customer service department to obtain a Return Authorization ("RA"). **DO NOT** return products without an RA or the warranty claim will not be processed.

WHAT THIS WARRANTY DOES NOT COVER: This warranty does not apply if the product was damaged or failed because of accident, improper handling or operation, shipping damage, abuse, misuse, unauthorized repairs made or attempted. This warranty does not cover shipping costs for the return of products to Lasko for repair or replacement. Lasko will pay return shipping charges from Lasko following warranty repairs or replacement.

ANY AND ALL WARRANTIES, EXPRESSED OR IMPLIED (INCLUDING, WITHOUT LIMITATION, ANY IMPLIED WARRANTY OF MERCHANTABILITY), LAST ONE YEAR FROM THE DATE OF ORIGINAL PURCHASE OR UNTIL THE ORIGINAL PURCHASER OF THE PRODUCT SELLS OR TRANSFERS THE PRODUCT, WHICHEVER FIRST OCCURS AND IN NO EVENT SHALL LASKO'S LIABILITY UNDER ANY EXPRESS OR IMPLIED WARRANTY INCLUDE (I) INCIDENTAL OR CONSEQUENTIAL DAMAGES FROM ANY CAUSE WHATSOEVER, OR (II) REPLACEMENT OR REPAIR OF ANY HOUSE FUSES, CIRCUIT BREAKERS OR RECEPTACLES. NOTWITHSTANDING ANYTHING TO THE CONTRARY, IN NO EVENT SHALL LASKO'S LIABILITY UNDER ANY EXPRESS OR IMPLIED WARRANTY EXCEED THE PURCHASE PRICE OF THE PRODUCT AND ANY SUCH LIABILITY SHALL TERMINATE UPON THE EXPIRATION OF THE WARRANTY PERIOD.

Some states and provinces do not allow limitations on how long an implied warranty lasts, or the exclusion or limitation of incidental or consequential damages, so these exclusions or limitations may not apply to you. This warranty gives you specific legal rights. You may also have other rights which vary from state to state and province to province. Proof of purchase is required before a warranty claim will be accepted.

CUSTOMER SERVICE:

Toll-Free (800) 233-0268. Email: producthelp@laskoproducts.com

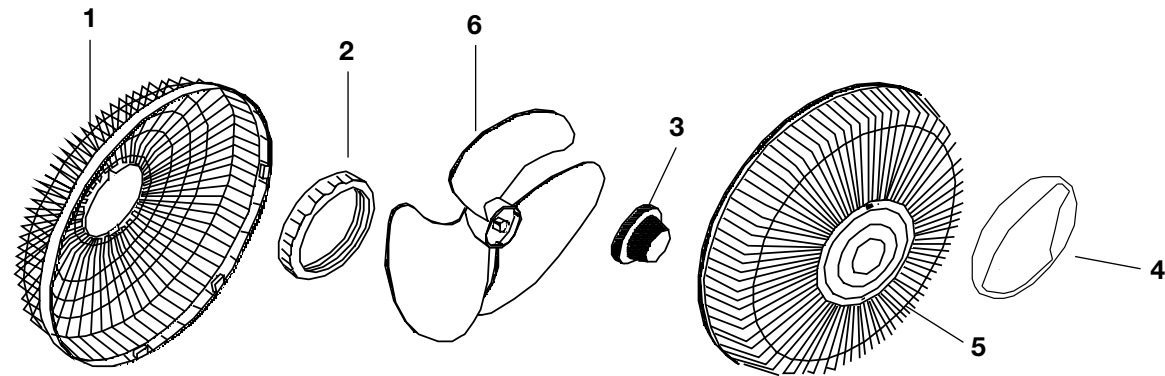
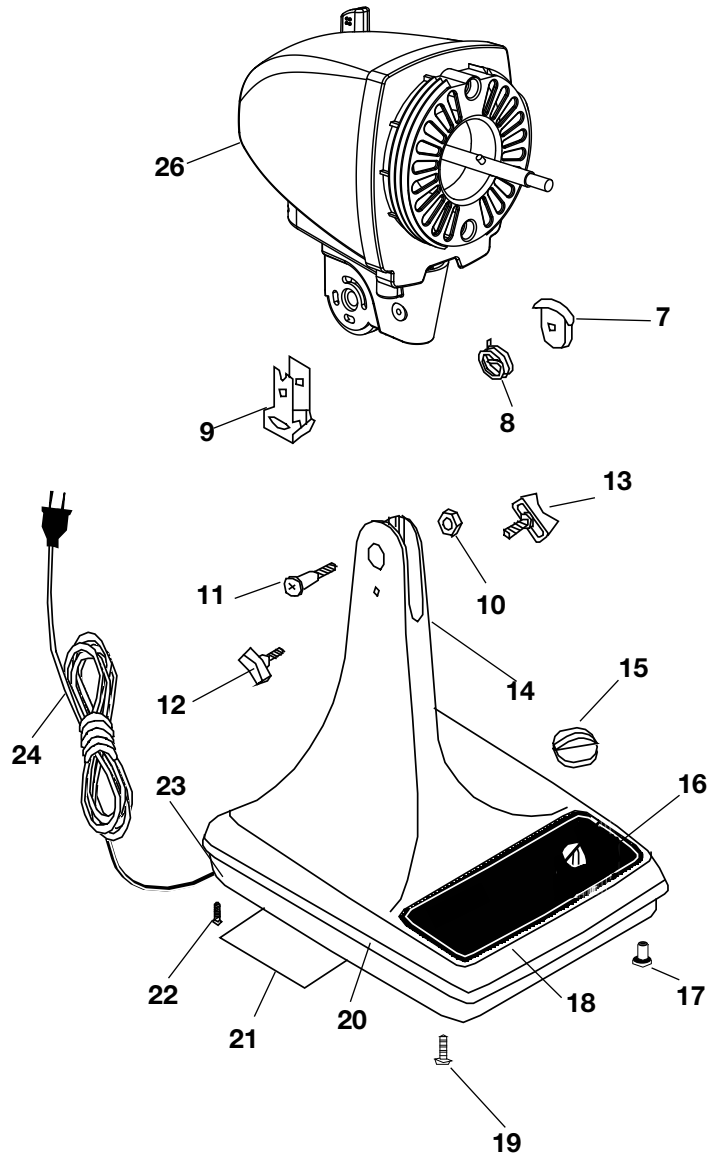
Our Customer Service team is available to assist you with product questions, service center locations, and replacement parts. They can be reached Monday through Friday, 8am-5pm Eastern. Please have your model number available, as well as the type and style (located on the underside of your product). Please do not return product to place of purchase.

Customer Service Dept., 820 Lincoln Ave., West Chester, PA 19380
(Please do not send product to this location) www.laskoproducts.com

REPLACEMENT PARTS LIST

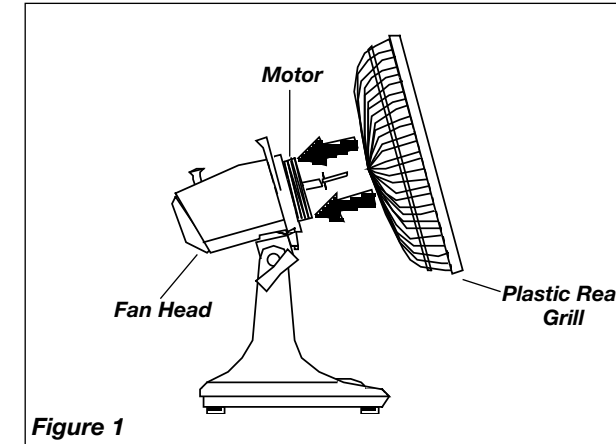
KEY	12" OSC	16" OSC	DESCRIPTION
1	2011212	2011200M	Rear Grill
2	2010361P	2010361P	Plastic Nut (Large)
3	2010093	2010093	Spinner
4	2010380L	N/A	Ornament
5	02096217	02096222	Front Grill
6	2010008	2011013	Blade
7	2060090	2060090	Elevation Washer
8	02090585	02090585	Elevation Spring
9	2060071	2060071	Elevation Range Plate
10	02090033	02090033	Hex Nut
11	02090521	02090521	Elevation Shaft
12	02010110A	02010110A	Small Adjustment Knob
13	02010109A	02010109A	Large Adjustment Knob
14	2010533	2010533	Stand
15	2009224	2009224	Knob
16	02055087	02055087	Switch
17	2010415	2010415	Rubber Feet (4)
18	02065457	02065458	Stand Ornament
19	02090038	02090038	Screw #8 x 9/16 PPH Type 25
20	2010343	2010343	Bottom Plate (Plastic)
21	2060012	2060012	Bottom Plate (Metal)
22	2091145	2091145	Screw #8 x 1.5 Type A POH
23	7091854	7091854	Crimp Connect
24	02050104	02050104	Power Supply Cord w/Plug
25	2084537	2084537	Instruction Sheet (Not Shown)
26	02035057	02035058	Motor Head Assembly

- * Parts described in the Replacement Parts List may not reflect the exact part supplied with your product.
- * The ornament may already be attached to the grill.
- * Parts 2-4 ordered as a Bagged Assembly

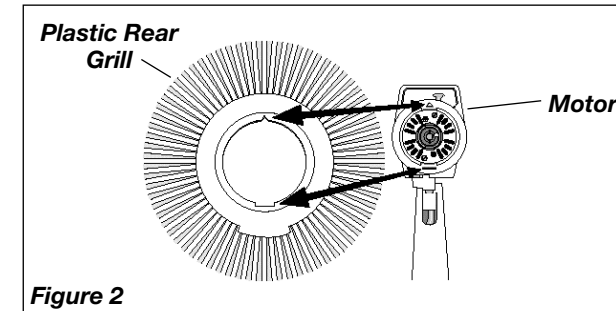


ASSEMBLY

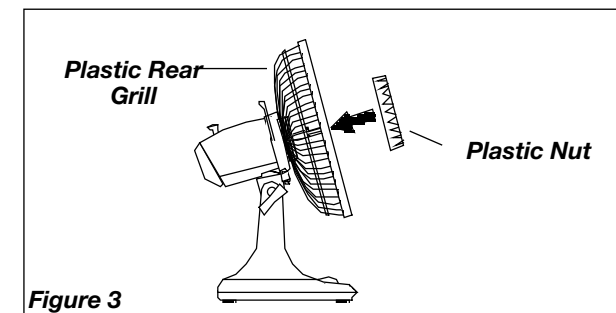
1. Tilt **Fan Head** back. Place **Plastic Rear Grill** on **Motor**. (**Figure 1**)



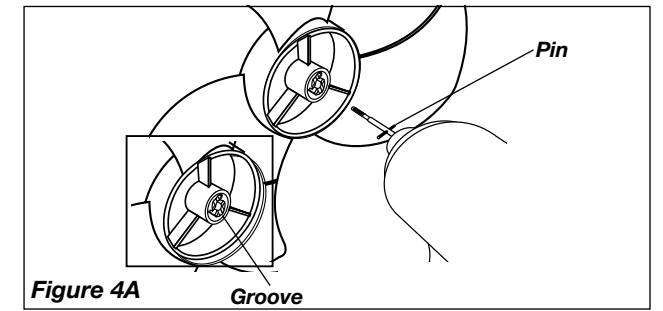
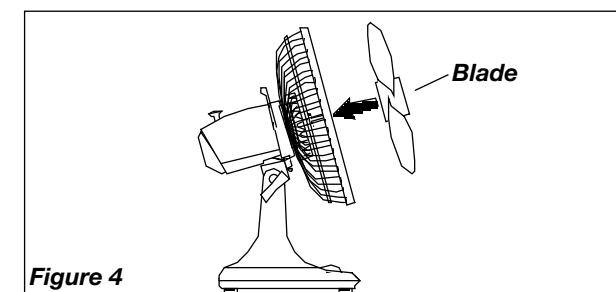
2. Align tab of **Plastic Rear Grill** with groove on top of front **Motor** cover. (**Figure 2**)



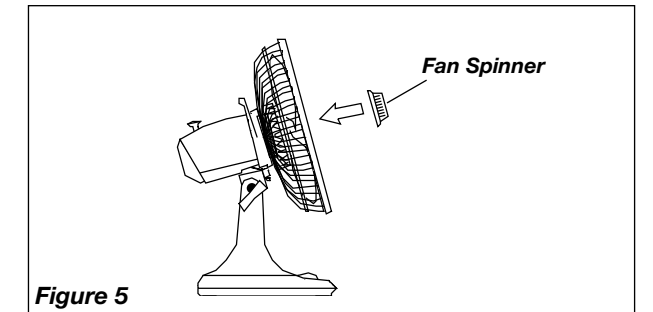
3. Fully seat **Plastic Rear Grill** and secure with **Plastic Nut** turning **CLOCKWISE**. (**Figure 3**)



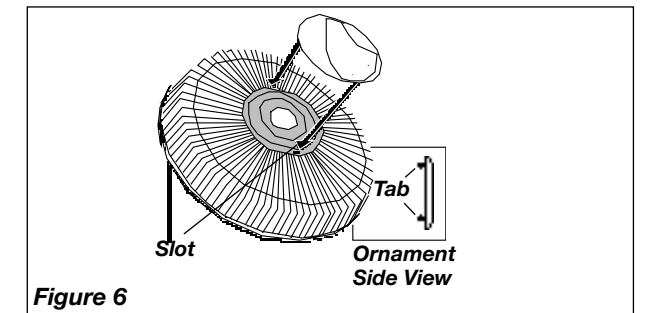
4. Slide **Blade** onto motor shaft. (**Figure 4**) (Align **Groove** on blade hub with **Pin** on motor shaft. **Figure 4A**)



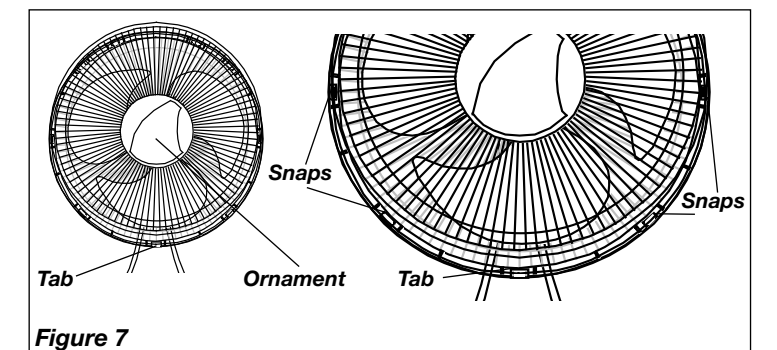
5. To secure **Blade**, screw **Spinner** onto **Shaft** Counter Clockwise until tight on **Blade** hub. (**Figure 5**)



6. Install **Ornament** into **Metal Front Grill** if not already attached to the **Grill**. Insert **Tabs** into rectangular **Slots**. Snap into place. (**Figure 6**)

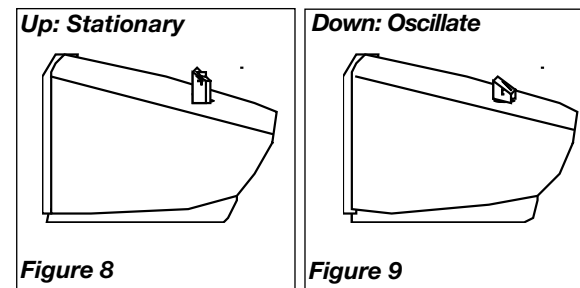


7. With **Fan Head** tilted back and centered, align **Ornament** of **Front Grill** so it is horizontal. Insert bottom of **Front Grill** into **Rear Grill**. **Tabs** at the bottom of **Rear Grill** should be between two wires of **Front Grill**. Snap **Front Grill** into the **Rear Grill** beginning at the top and working down both sides. (**Figure 7**)



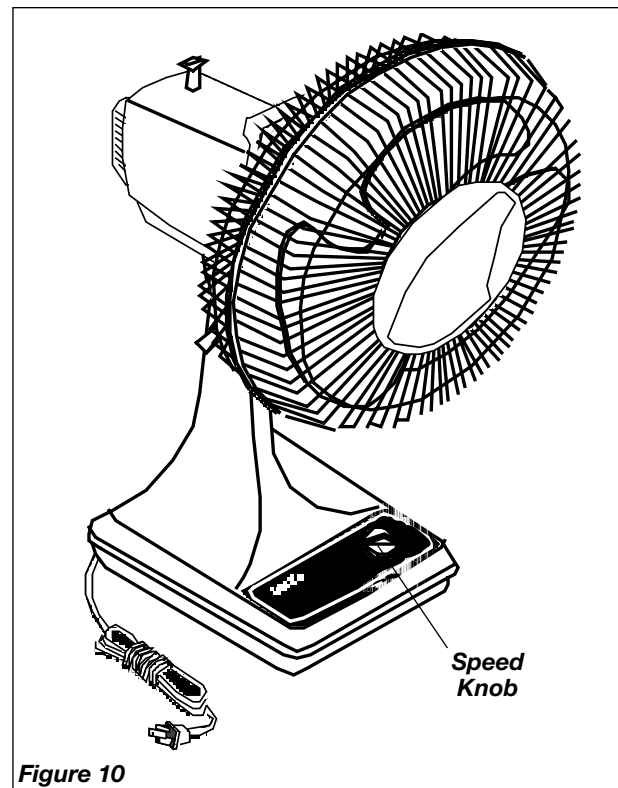
OPERATION

OSCILLATION: Push down oscillation knob on motor housing to make fan head move from side to side. (Figures 8 and 9)



SPEED: Control fan speed with Speed Knob. (Figure 10)

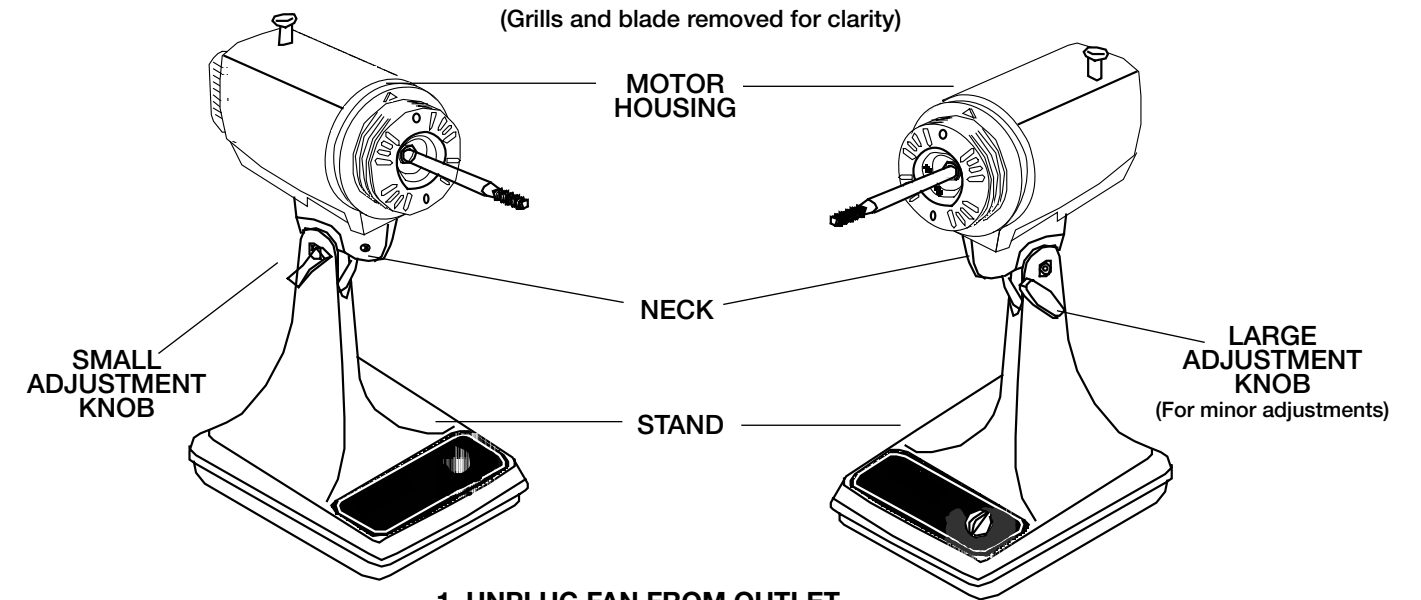
- 3 - High Speed
- 2 - Medium Speed
- 1 - Low Speed



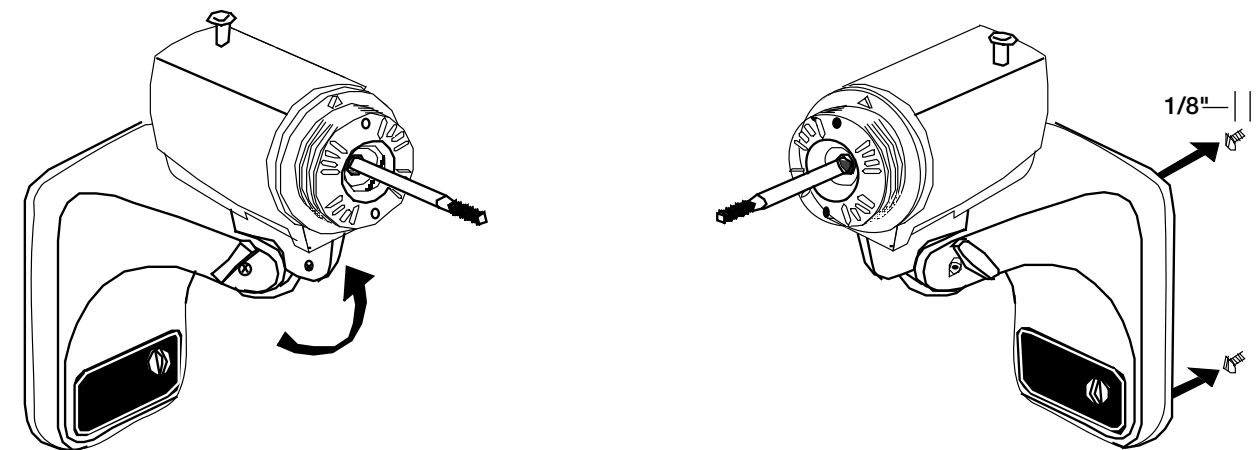
TILTING: This Fan is equipped with a multi-angle Fan Head for Whole-Room Air Circulation. Follow the steps below to properly adjust the "tilt angle" of your Fan.

1. Place one hand just under the Fan Neck.
2. Place your other hand on top of Fan.
3. Gently push or pull the Fan Head until it is in the desired position.

CONVERTING FROM TABLE FAN TO WALL MOUNTED FAN



1. UNPLUG FAN FROM OUTLET.
2. Remove the Small and Large Adjustment Knobs.



3. Tilt Motor Housing all the way back.
4. Reinstall Small Adjustment Knob and tighten.
5. Reinstall Large Adjustment Knob.
6. Install two #8 x 1 1/4" Wood Screws (not provided), using Template below, leaving 1/8" between Screwheads and wall.
7. Mount Fan over Screws using Slotted Holes on Bottom Plate.

NOTE: TO ADJUST HEAD VERTICALLY - Loosen Large Adjustment Knob, set Motor Housing, retighten Knob.

CAUTION: FAN IS UNSTABLE IN THIS POSITION AND CANNOT BE USED AS A TABLE FAN.

TEMPLATE - DETACH TEMPLATE AND TURN 90° for use...

NOT SUPPLIED - Two #8x1-1/4" Wood Screws (Must be purchased separately)

NOTE: BE SURE THAT THE MOUNTING SCREWS ARE INSTALLED IN A WALL STUD FOR MAXIMUM SUPPORT.

