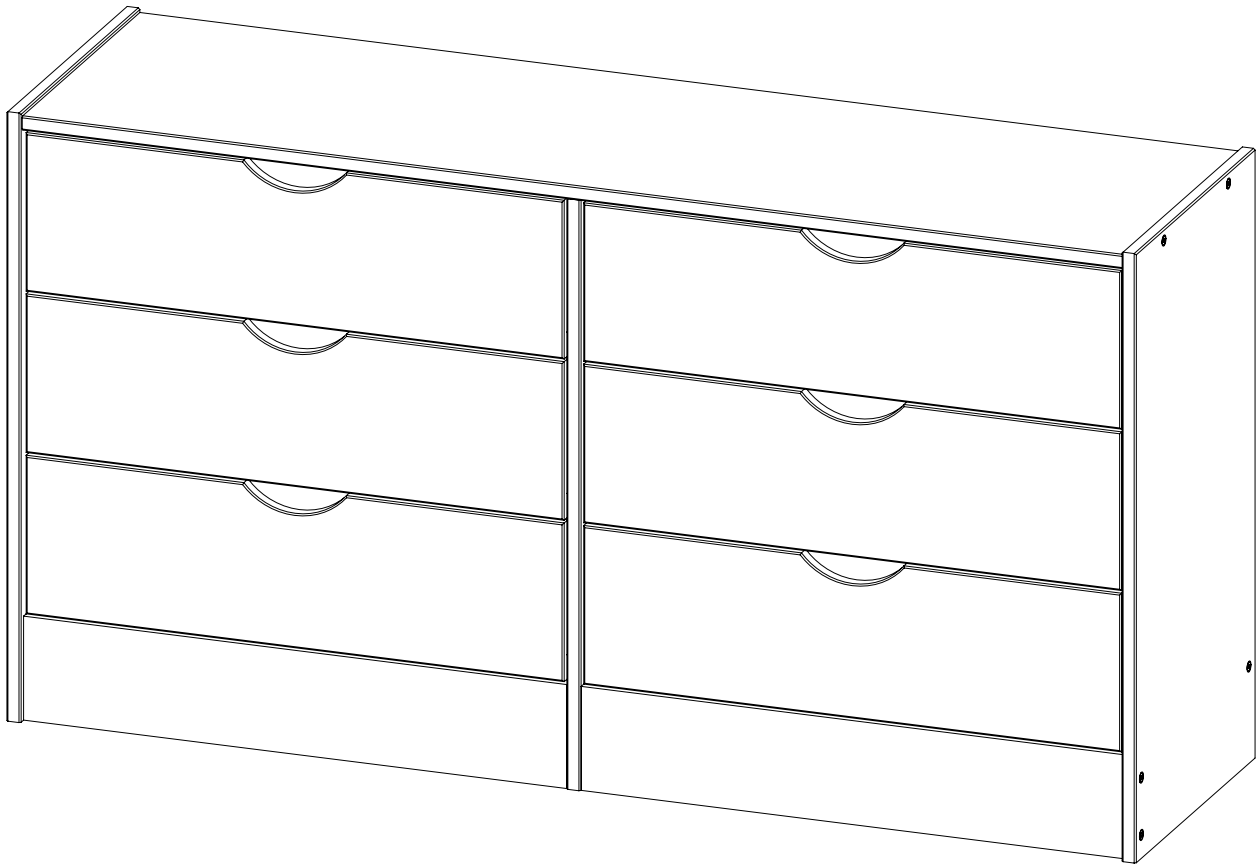


**WALKER EDISON**  
TM

# Declan 6-Drawer Solid Wood Dresser

SKU# WMDCL026D4



**For Residential Use Only**

Please visit our website for the most current instructions, assembly tips, report damage, or request parts. [www.walker-edison.com](http://www.walker-edison.com)

# WE Time to get started

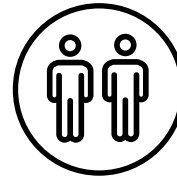
Set up a clean and soft workplace to get started and avoid damage during the assembly. It also helps to double-check you've got all the pieces and parts before diving in to assembly.

## Estimated time for assembly



## People recommended for assembly

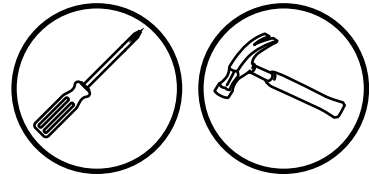
Make it a team effort! Grab a friend for quicker, easier assembly.



2 People Build

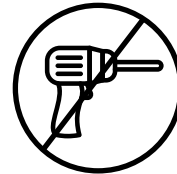
## Tools Needed

Grab a Phillips head screwdriver to conquer this assembly. We will also need a hammer to help.



## Use power tools with caution

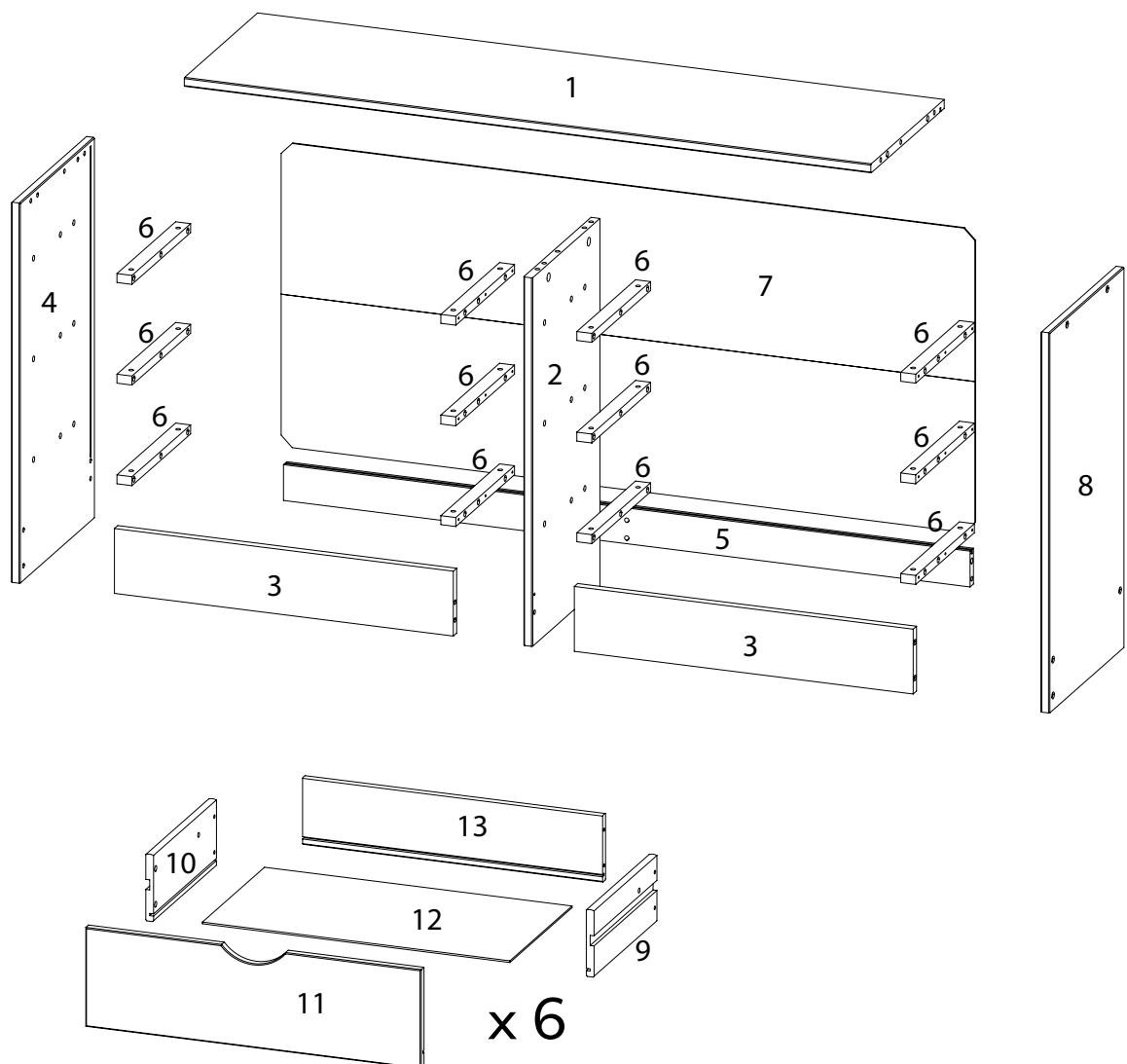
You can cause cracking or damage to the material and easily strip the hardware. If you choose to use a power tool, your product will no longer be covered under Walker Edison's warranty.



**Scan to get assembly tips and help!**

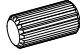
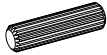
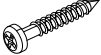
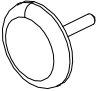
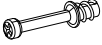
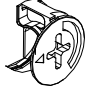
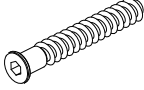

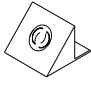
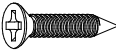
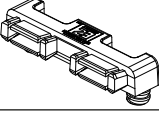
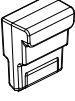

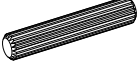
# WE Parts List

Part Number	Description	Quantity
1	Top panel	1
2	Division	1
3	Foot front rail	2
4	Left side panel	1
5	Back rail	1
6	Wood slider	12
7	Back panel	1
8	Right side panel	1
9	Right drawer side	6
10	Left drawer side	6
11	Drawer front	6
12	Drawer bottom	6
13	Drawer back	6





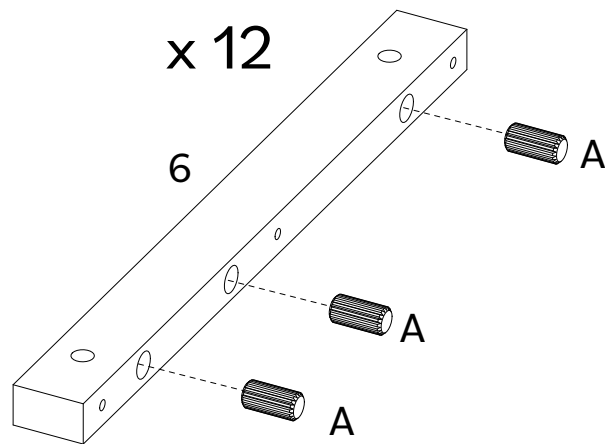
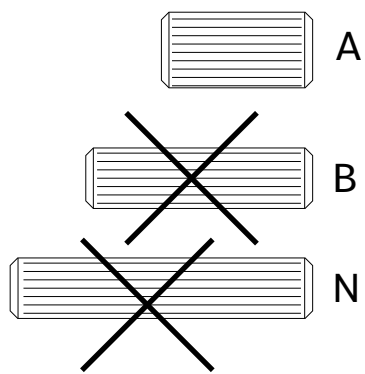
# Hardware List

Part	Size	Name	Quantity
A	 10x20mm	Wooden dowel	36
B	 8x30mm	Wooden dowel	26
C	 4x25mm	Screw	36
D	 15mm	Plastic foot	6
E	 8x30mm	Cam bolt	4
F	 15x10mm	Cam lock	4
G	 7x50mm	Screw	11
H		Hex key	1
I	 14x14mm	Support	16
J	 3,5x16mm	Screw	16
K		Dovetail	12
L		Dovetail lock	24
M		Plastic screw	24
N	 8x40mm	Wooden dowel	12

*The hardware quantities listed above are required for proper assembly.  
Extra hardware pieces may be included.*

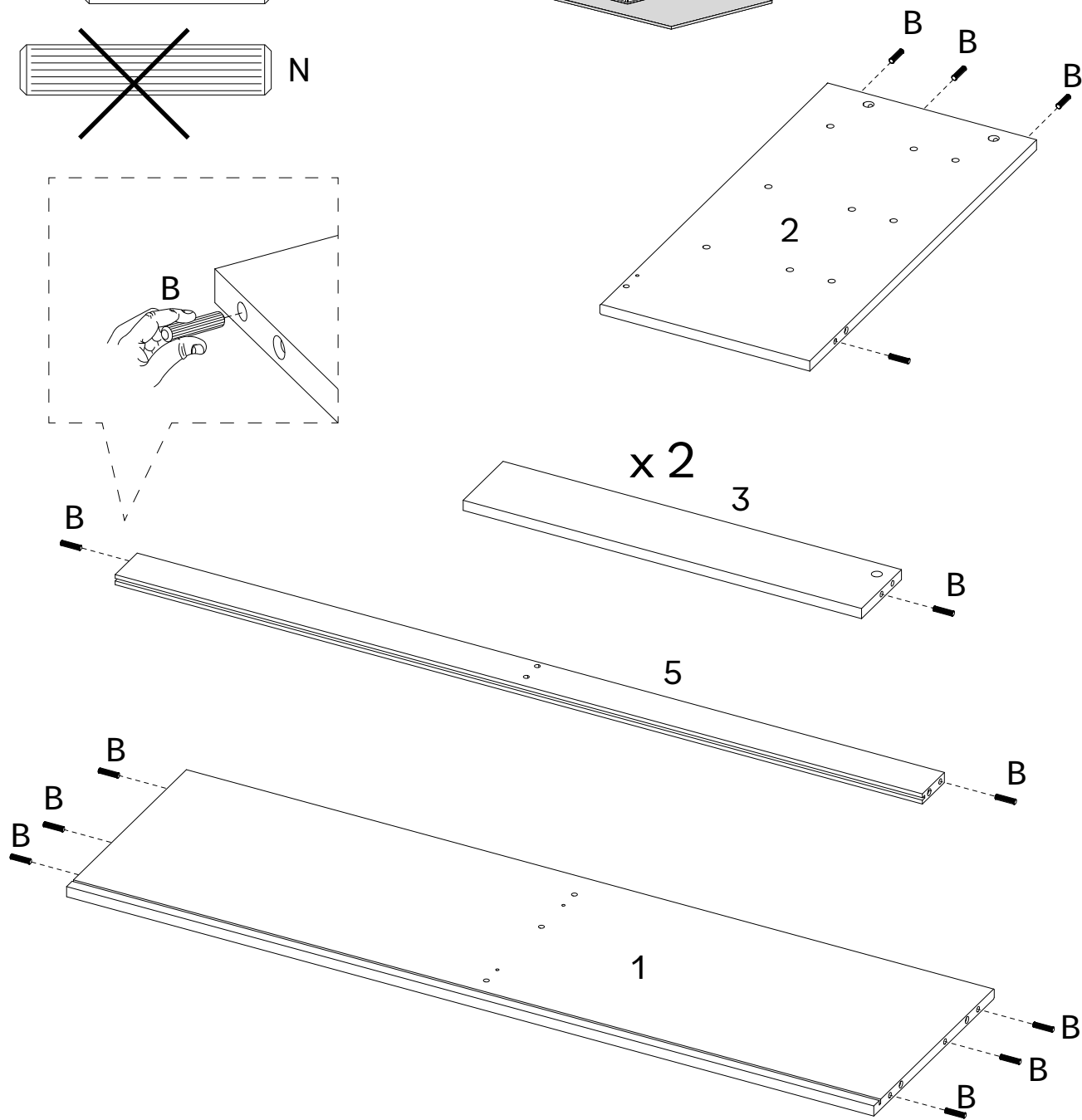
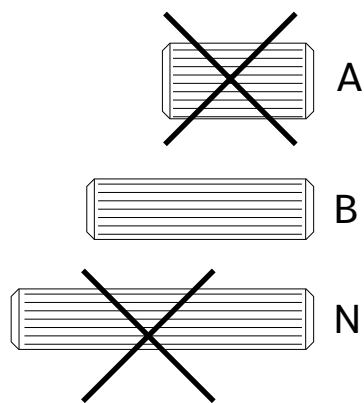
# Step 1

Let's get started, shall we? Start by inserting all Wooden dowels (A) 20mm into the Wood sliders (6) x 12.



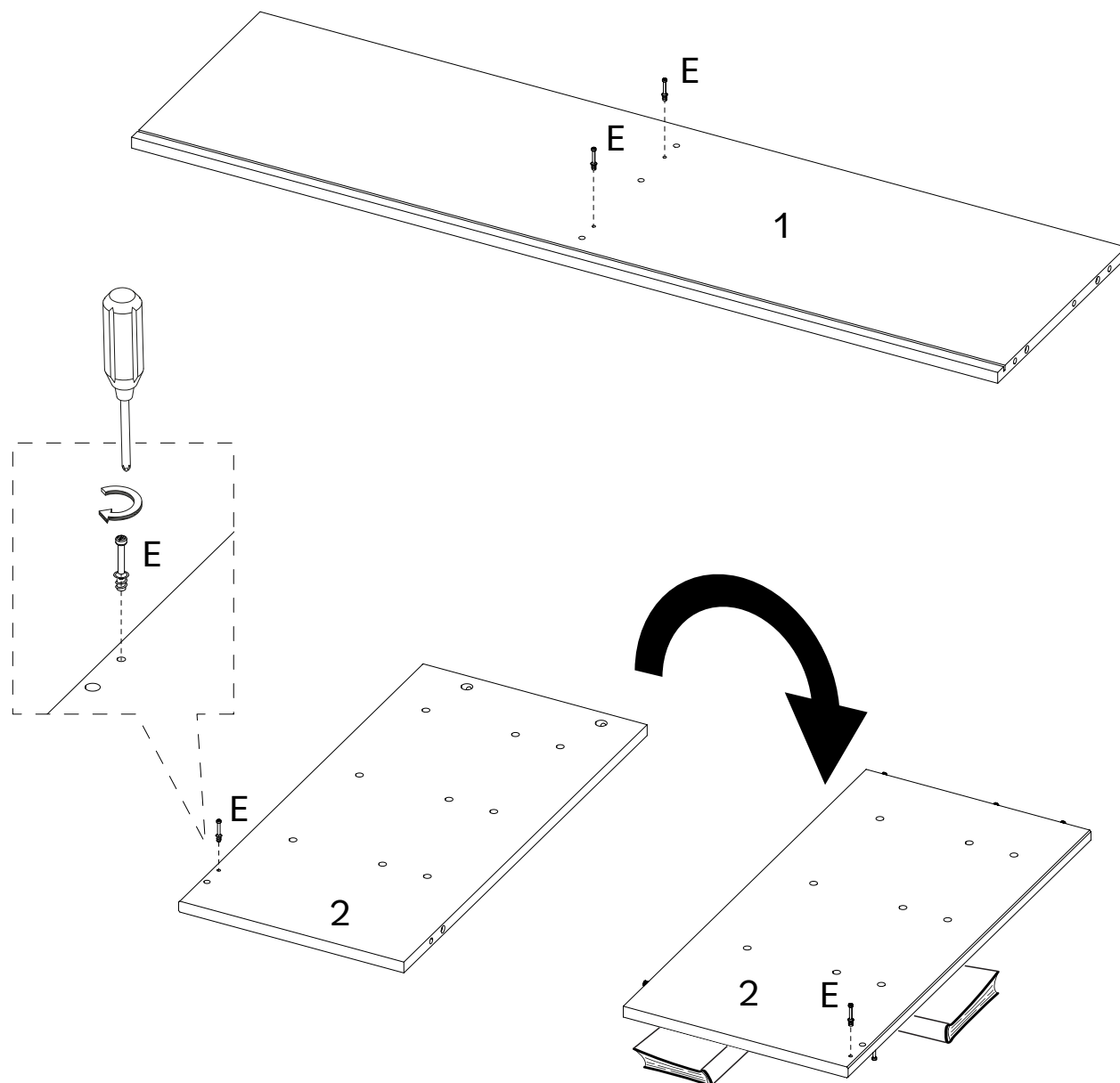
# Step 2

Then insert 14 Wooden dowels (B) 30mm into the Top panel (1), Division (2), Foot front rails (3) and Back rail (5).



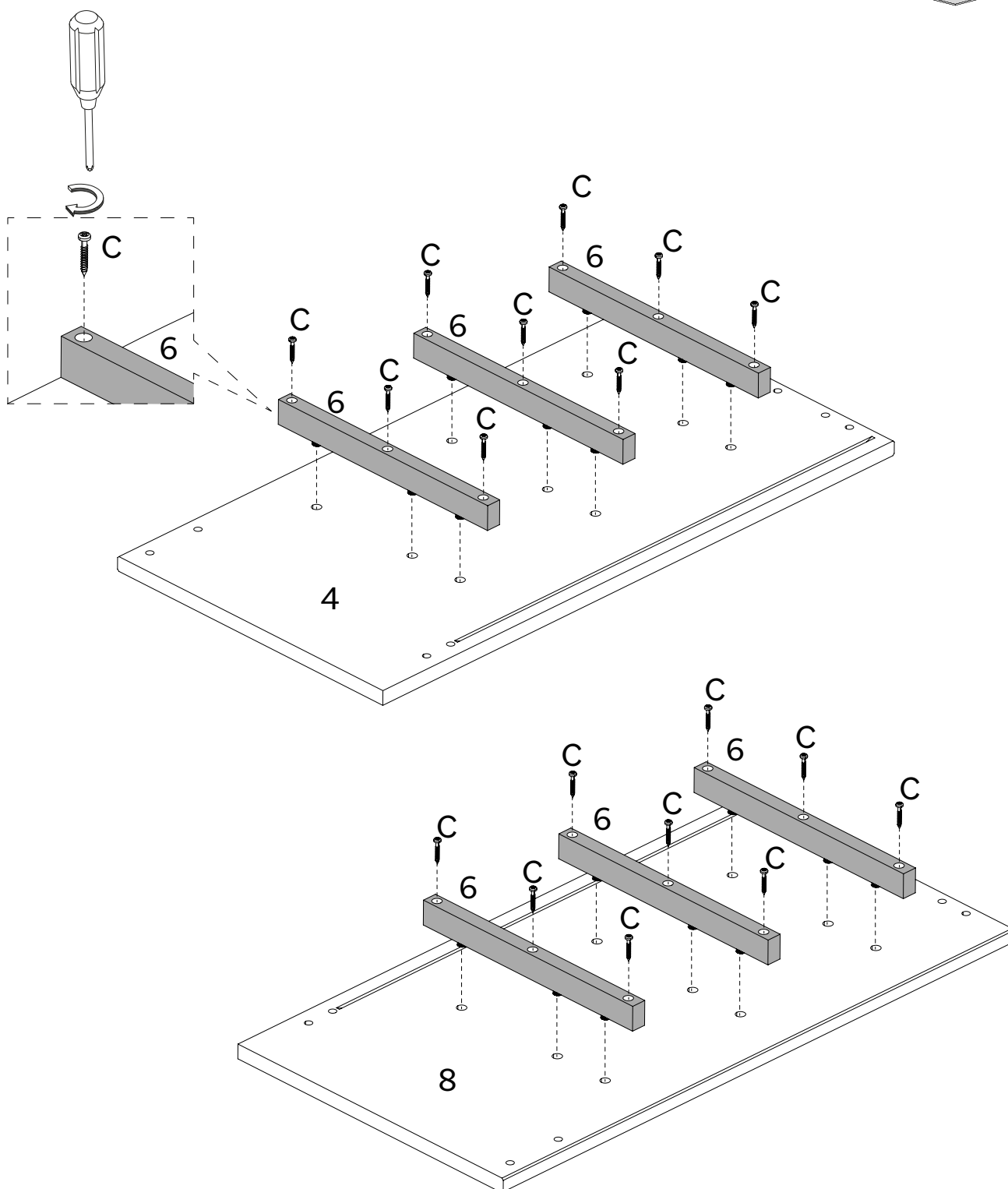
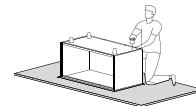
# Step 3

Using a Phillips head screwdriver, screw the all Cam bolts (E) into the Top panel (1) and on both sides of Division (2). Use a object like a book to support a division(2) to fix the second cam bolt.



# Step 4

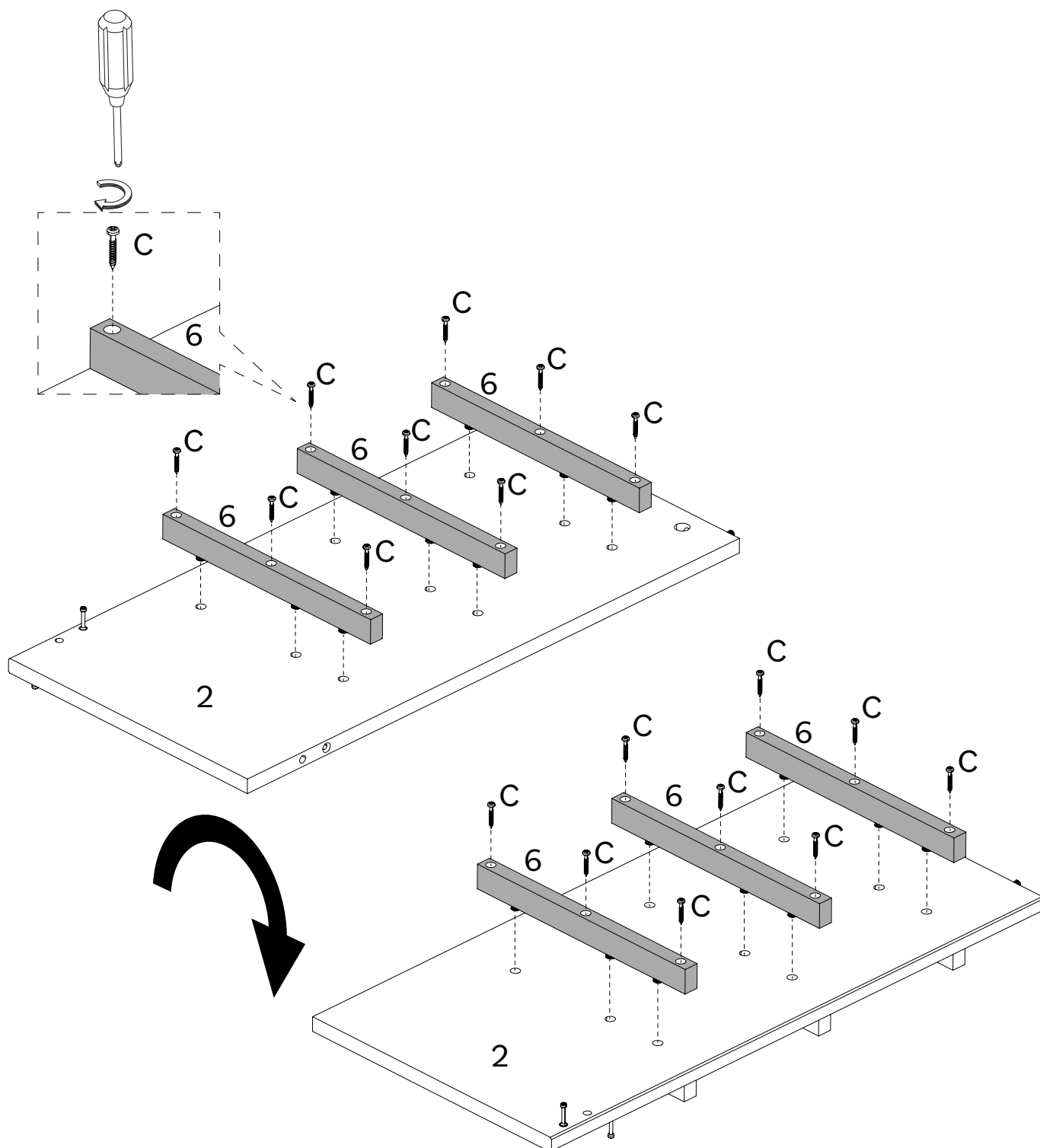
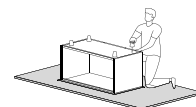
Now we will fix the Wood sliders (6) x 6 on the Left side panel (4) and Right side panel (8) with 18 Screws (C) 25mm and Phillips head screwdriver.





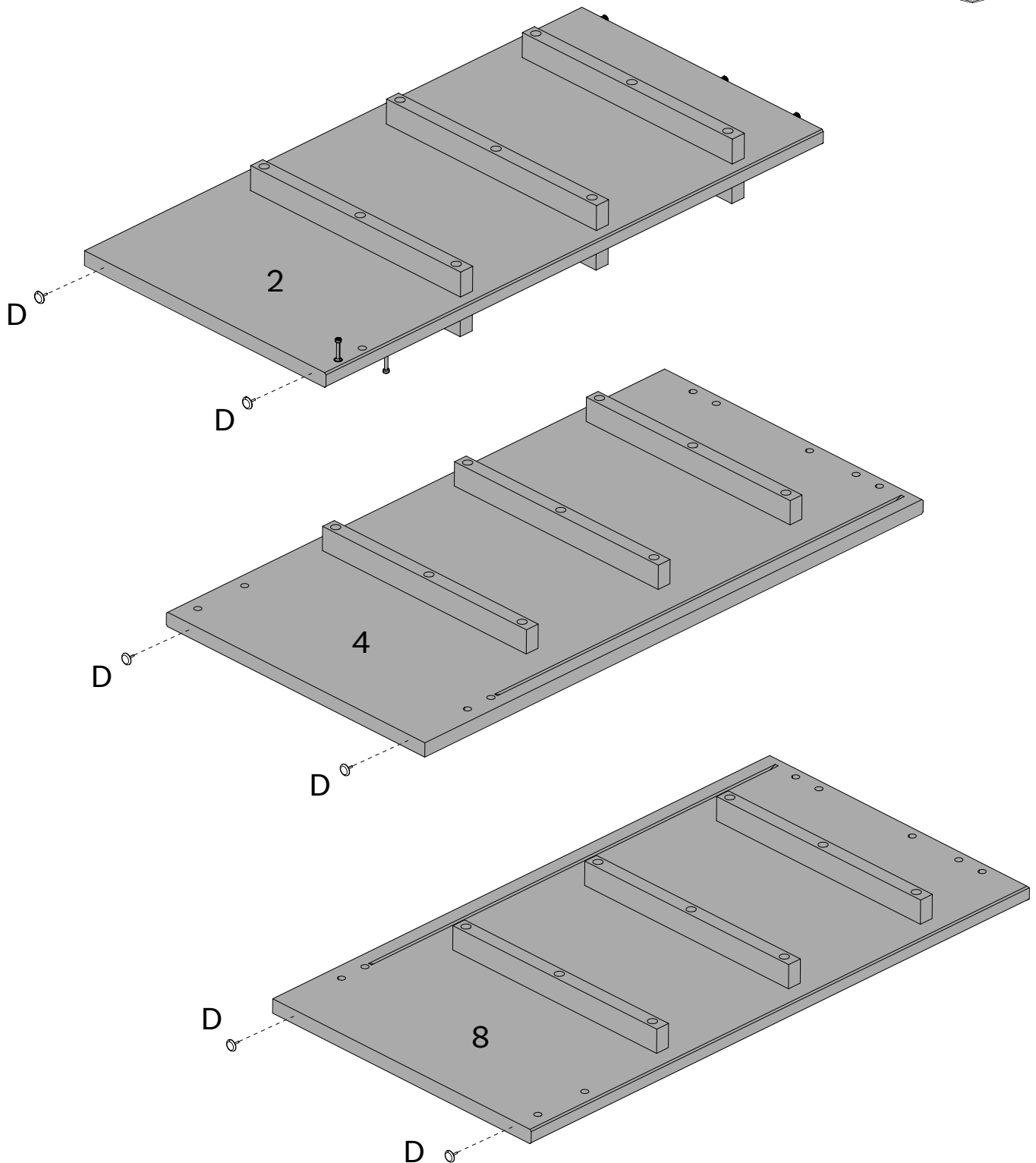
# Step 5

We will also assemble the Wood sliders (6) x 6 on both sides of the Division (2) with 18 Screws (C) 25mm and Phillips head screwdriver.



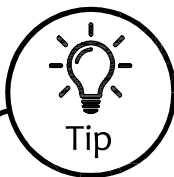
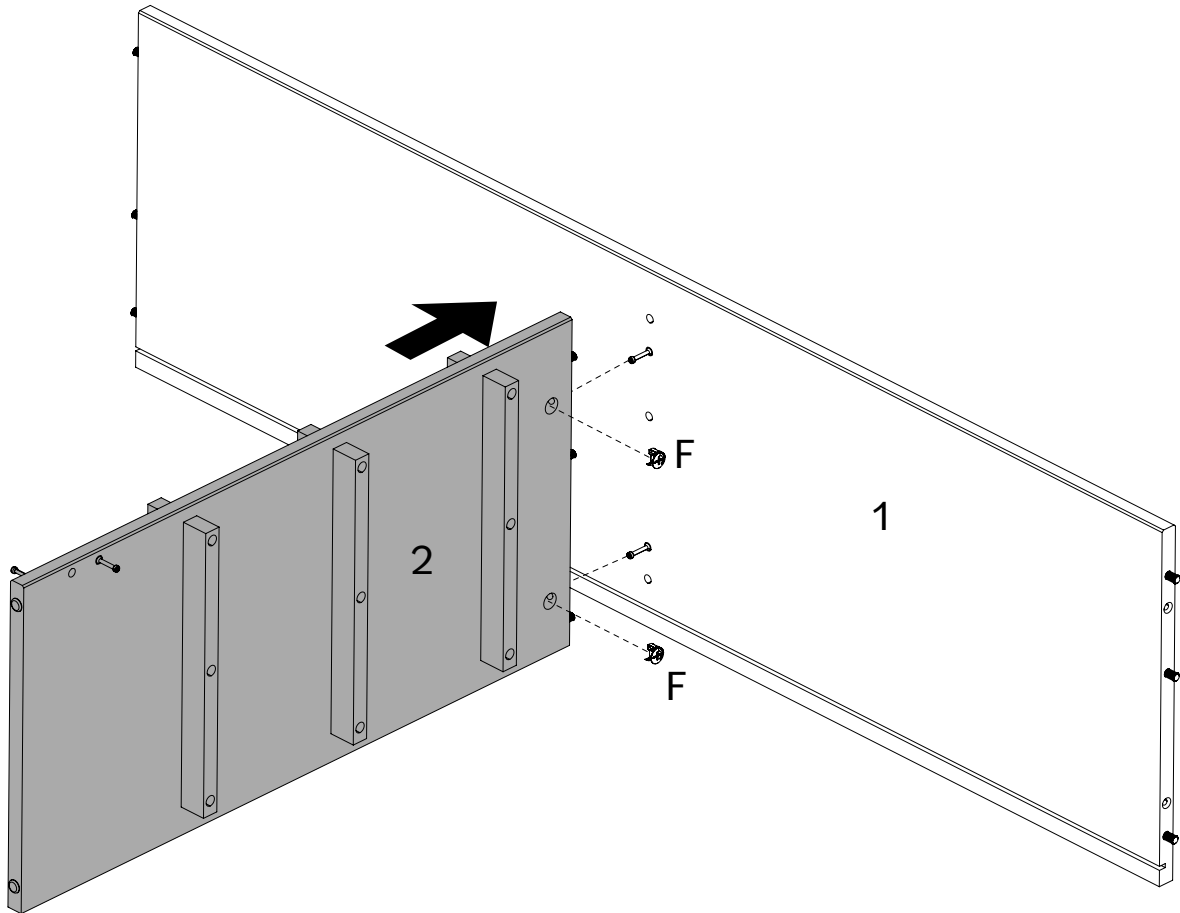
# Step 6

It is important to secure the all Plastic foots (D) x 6 on the Division (2), Left side panel (4) and Right side panel (8). Use a hammer if necessary.



# Step 7

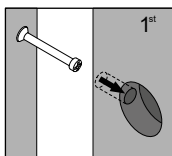
Attach the Division (2) to Top panel (1) and tighten Cam locks (F) x 2 with Phillips head screwdriver.



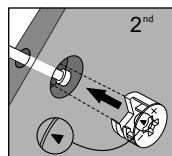
Tip

## Cam Locks

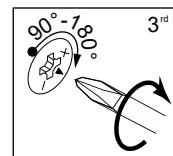
Cam Locks help securely join two pieces together.  
Follow these easy steps.



1: Insert Cam Bolt into bolt holes on the flat side. Don't over tighten!



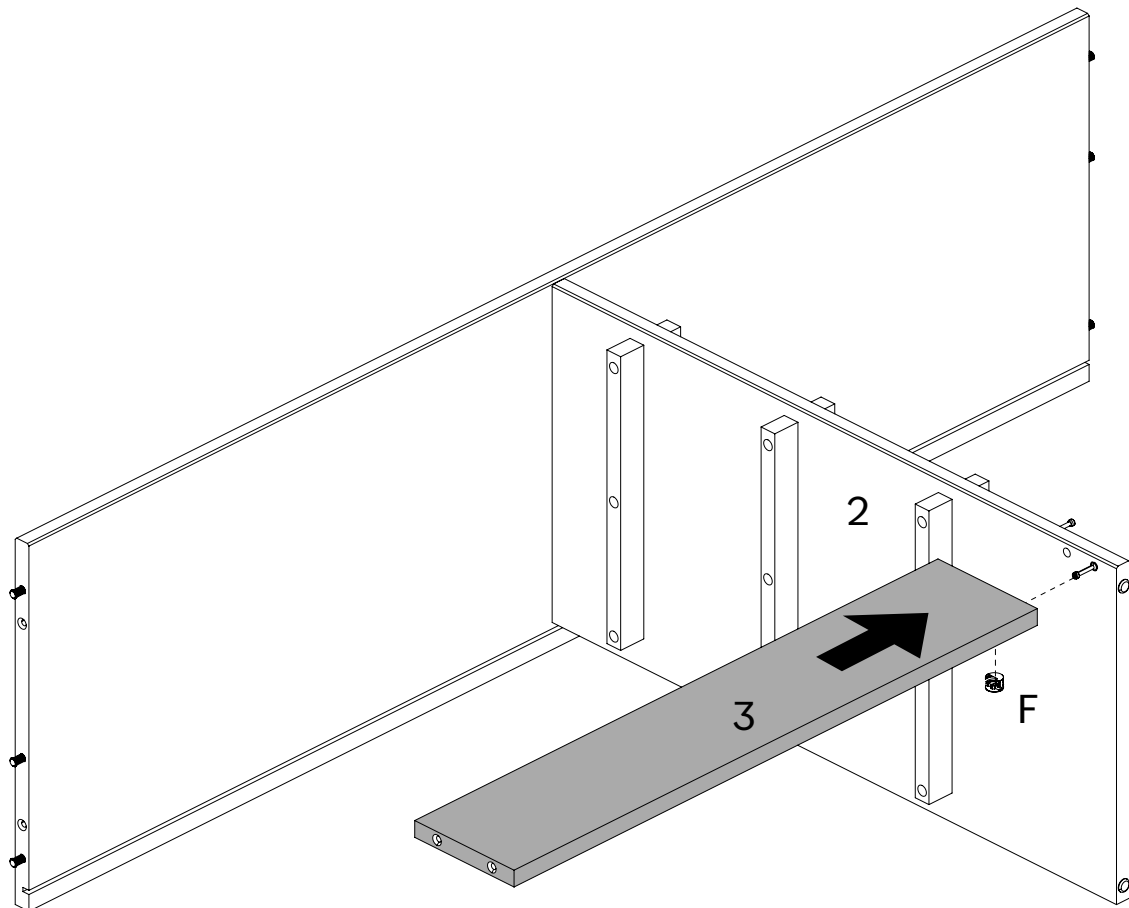
2: Fit the proper holes on the edge of the other part over the Cam Bolts. You should be able to see the cam bolts through the larger hole on the side.



3: On the back of the Cam Lock will be a "C" shape. Insert the Cam Lock so the opening of the "C" fits over the Cam Bolt. Tighten with the screwdriver.

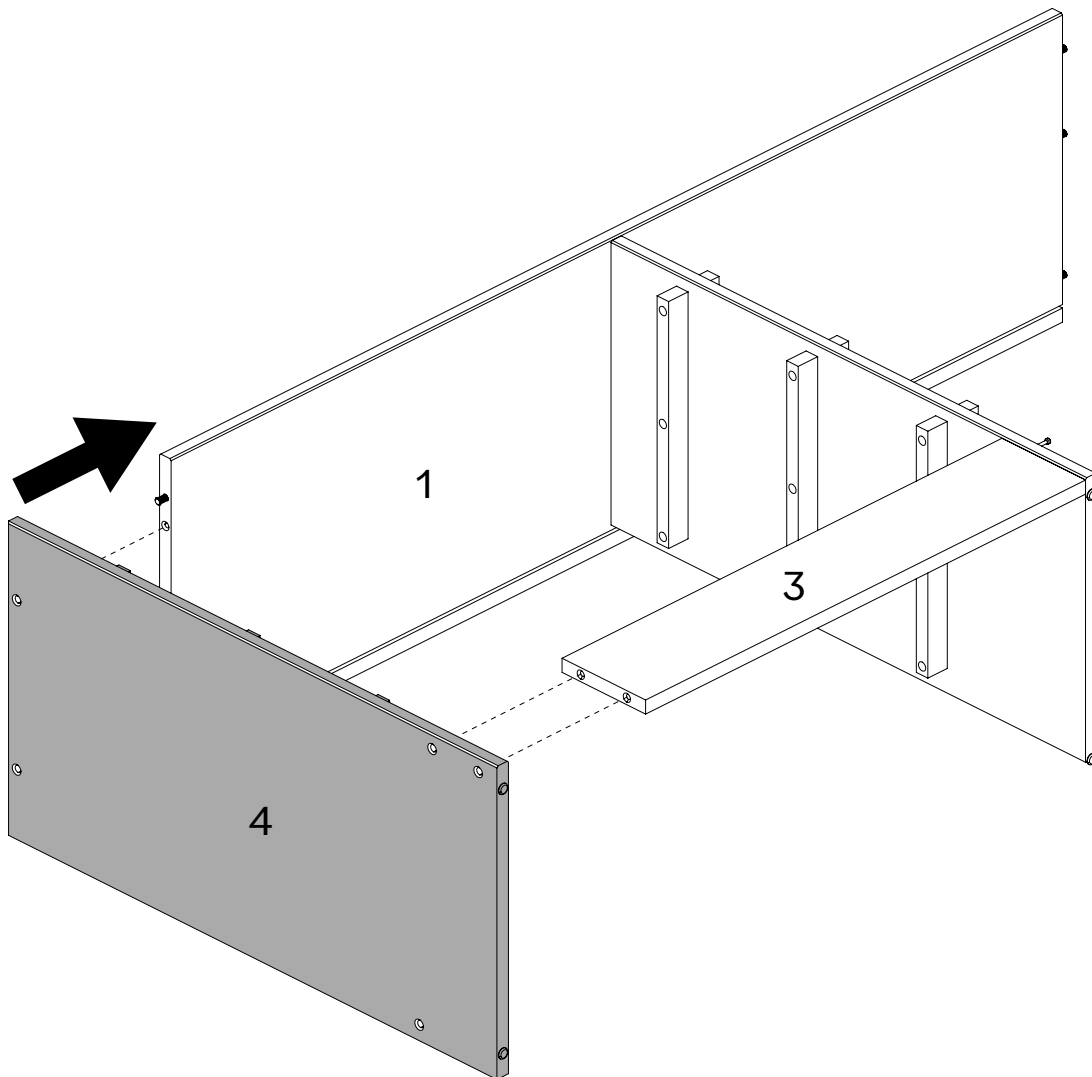
## Step 8

Attach the Foot front rail (3) x 1 to Division (2) and tighten Cam lock (F) x 1 with Phillips head screwdriver.



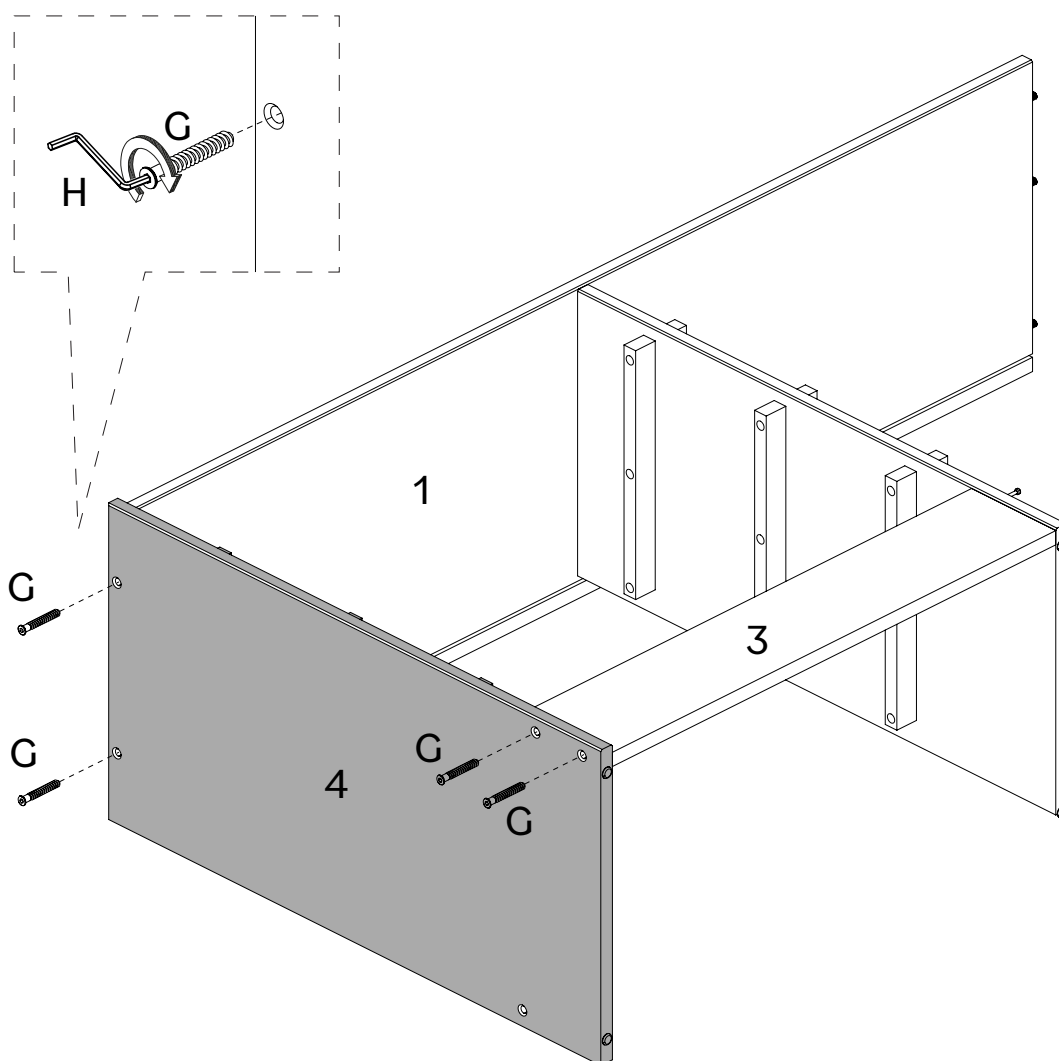
# Step 9

Fit the Left side panel(4) into Top panel (1) and Foot front rail (3).



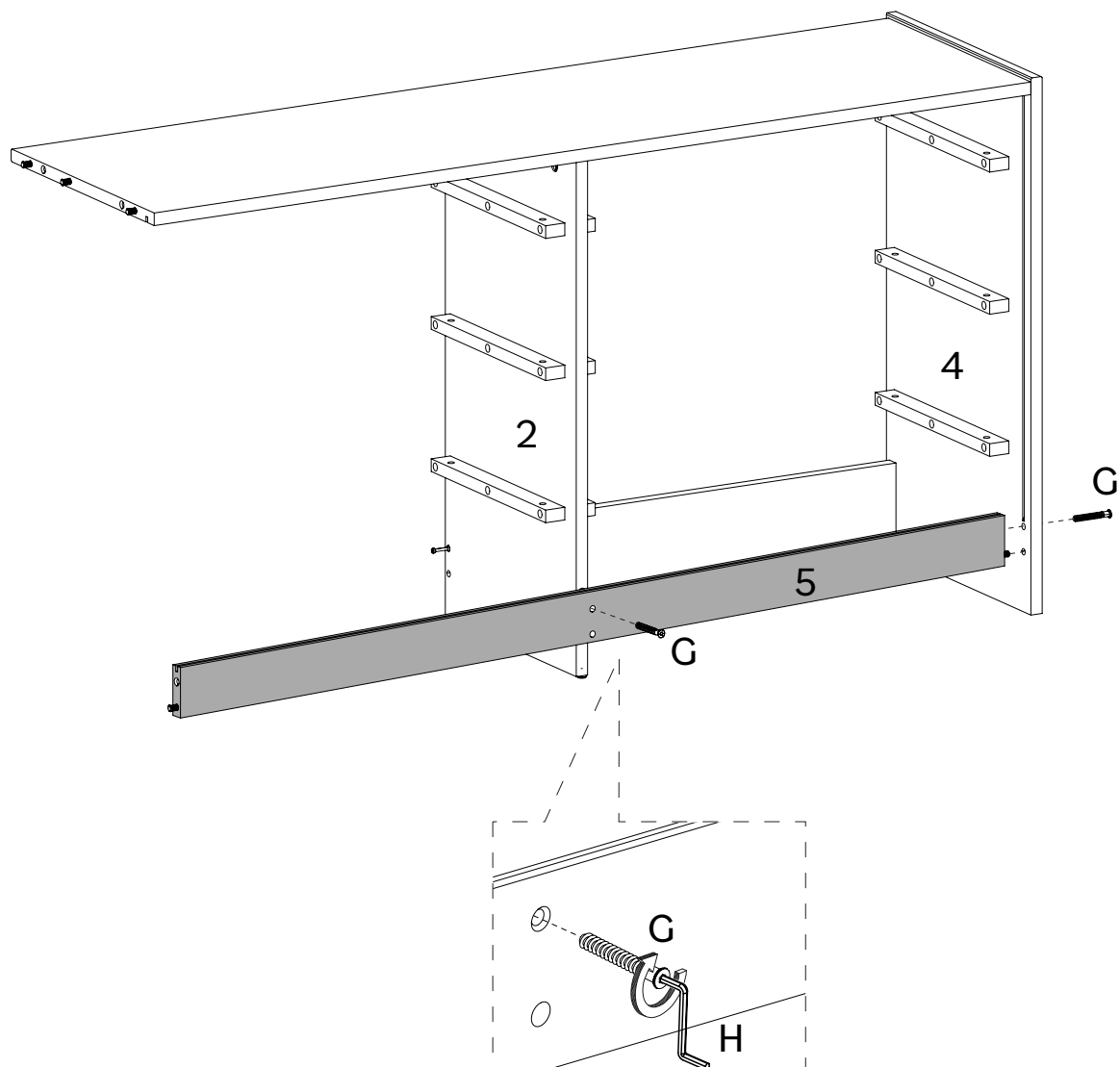
# Step 10

Now fix Top panel (1) and Foot front rail (3) into Left side panel (4) with Screws (G) x 4 and Hex key (H).



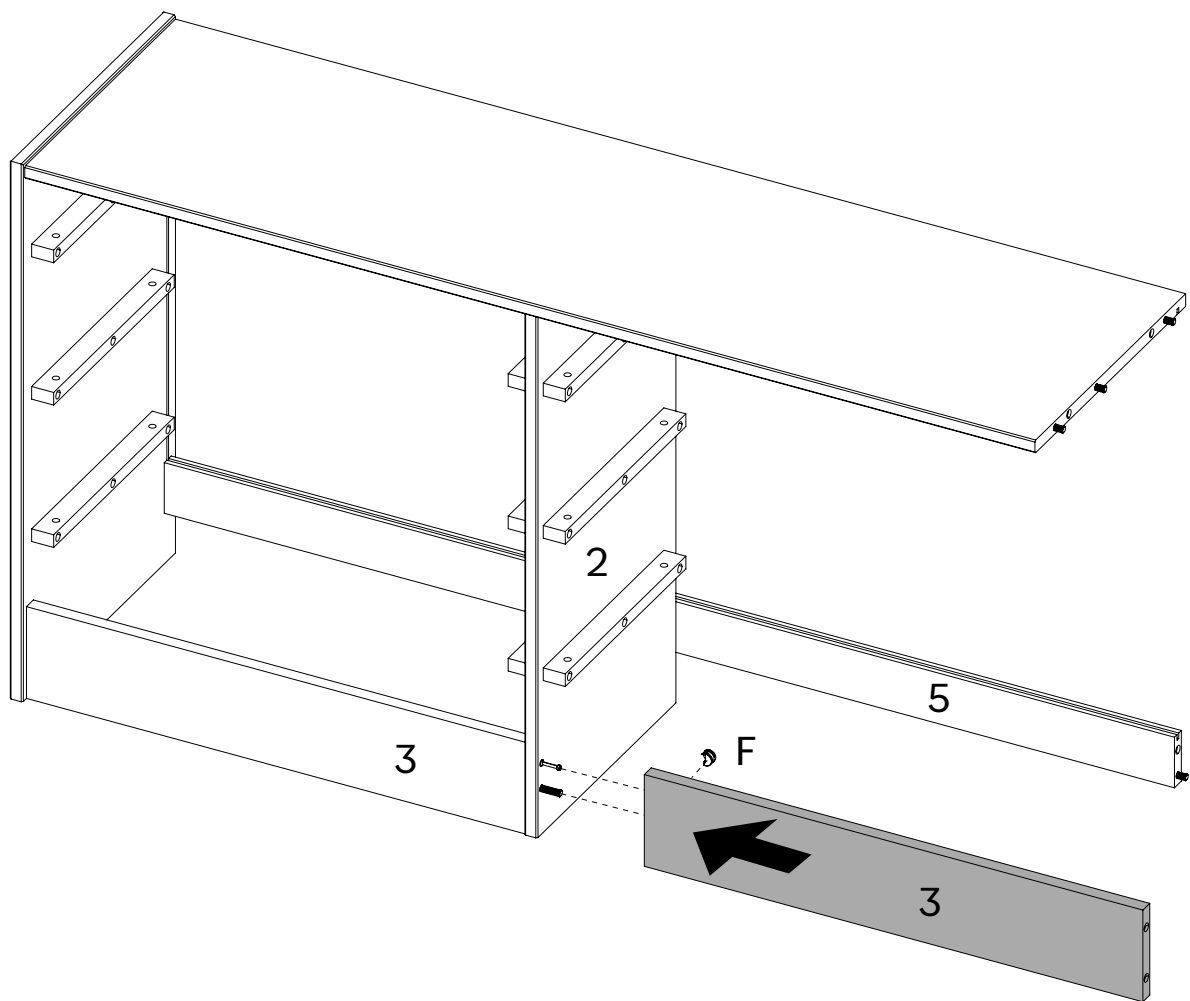
# Step 11

Now we will leave the furniture standing and attach the Back rail (5) to Left side panel (4) and division (2) with Screws (G) x 2 and Hex key (H).



# Step 12

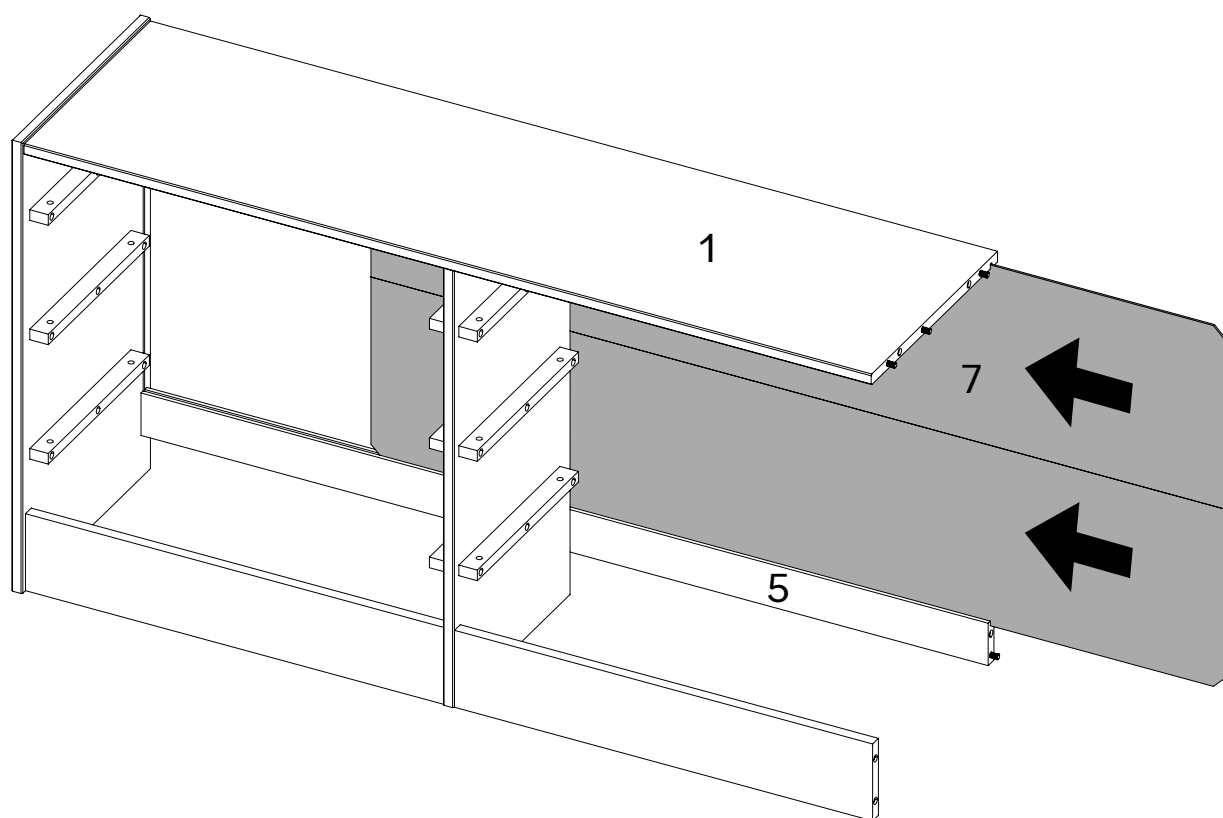
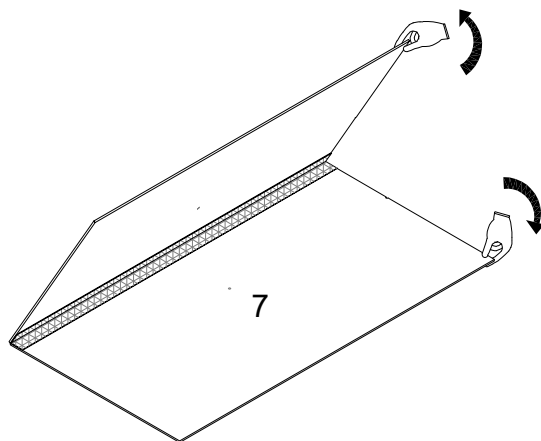
Attach the other Foot front rail (3) to Division (2) and tighten Cam lock (F) with Phillips head screwdriver.





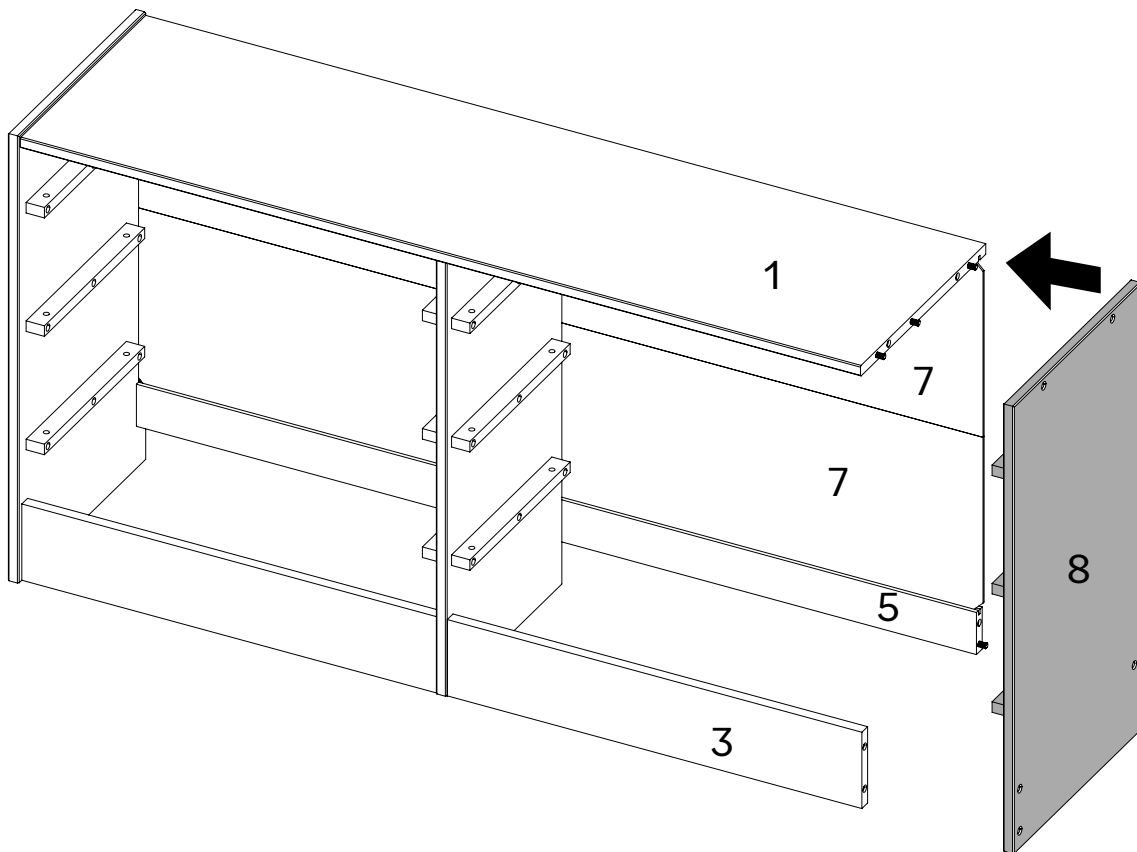
# Step 13

Unfold the Back panel (7) and insert between the grooves of Top panel (1) and Back rail (5).



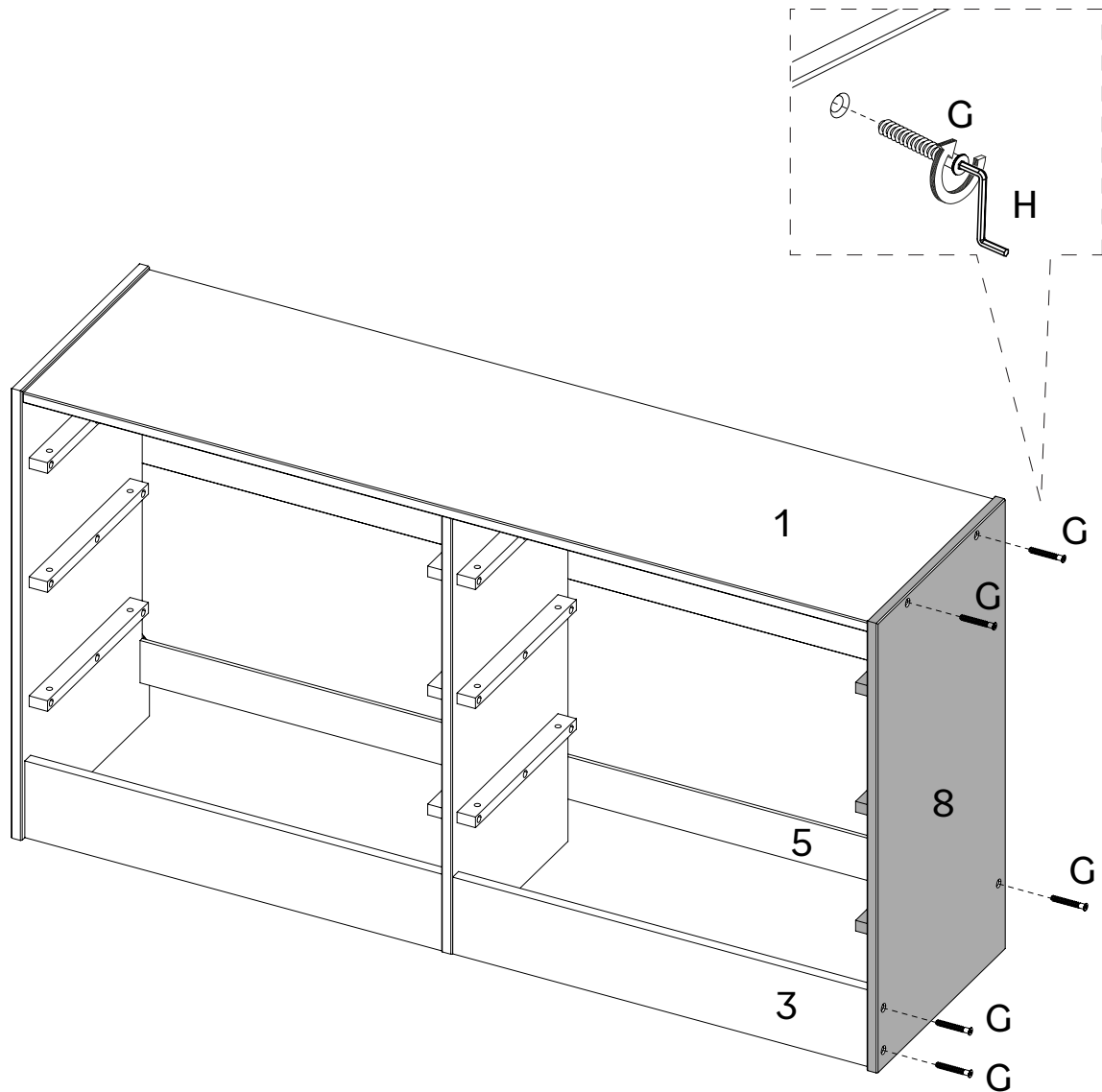
# Step 14

Fit the Right side panel(8) into Top panel(1), Foot front rail (3), Back panel (7) and Back rail (5).



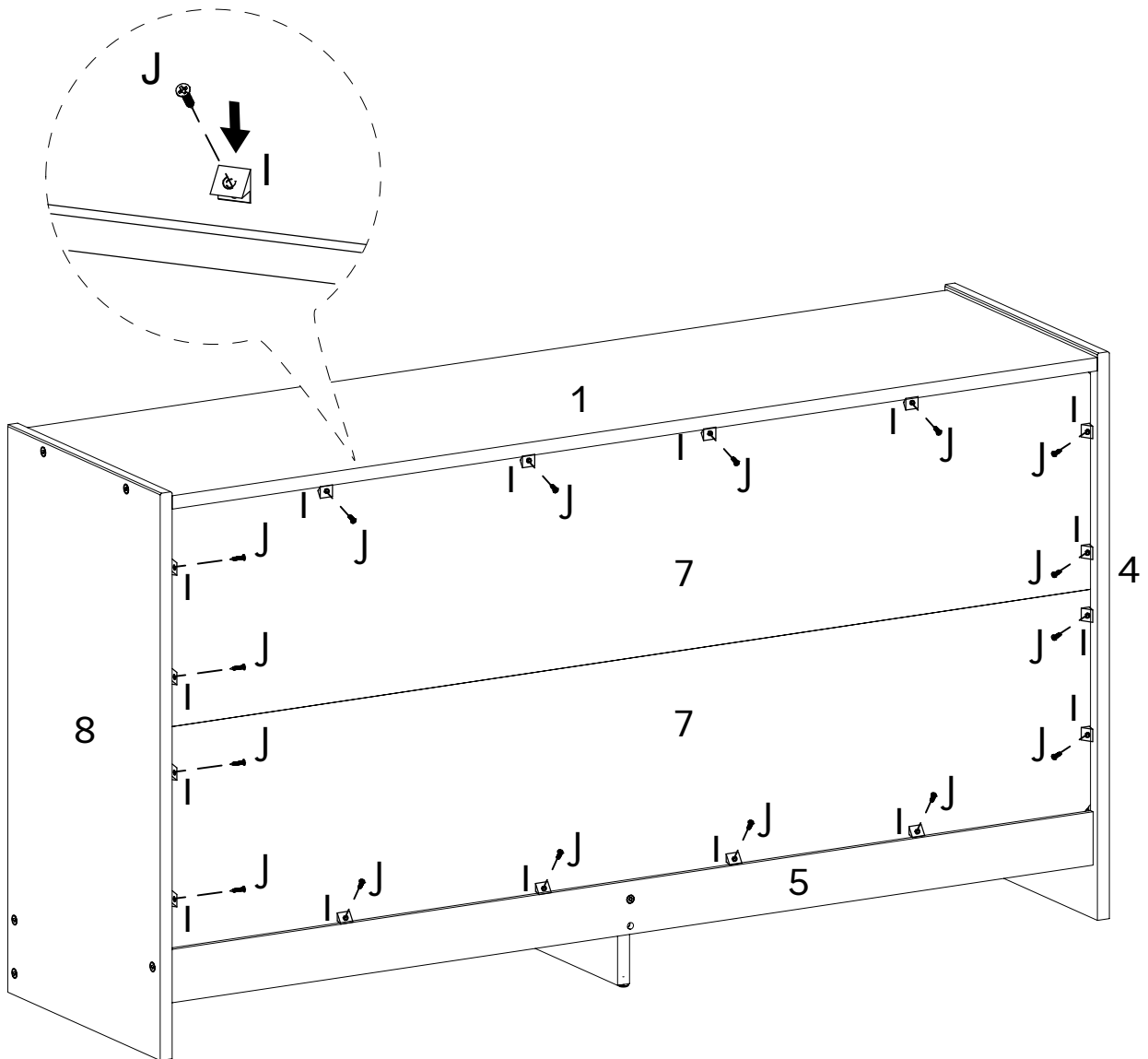
# Step 15

Fix the Right side panel (8) to Foot front rail (3), Back rail (5) and Top panel (1) using Screws (G) x 5 and Hex key(H).



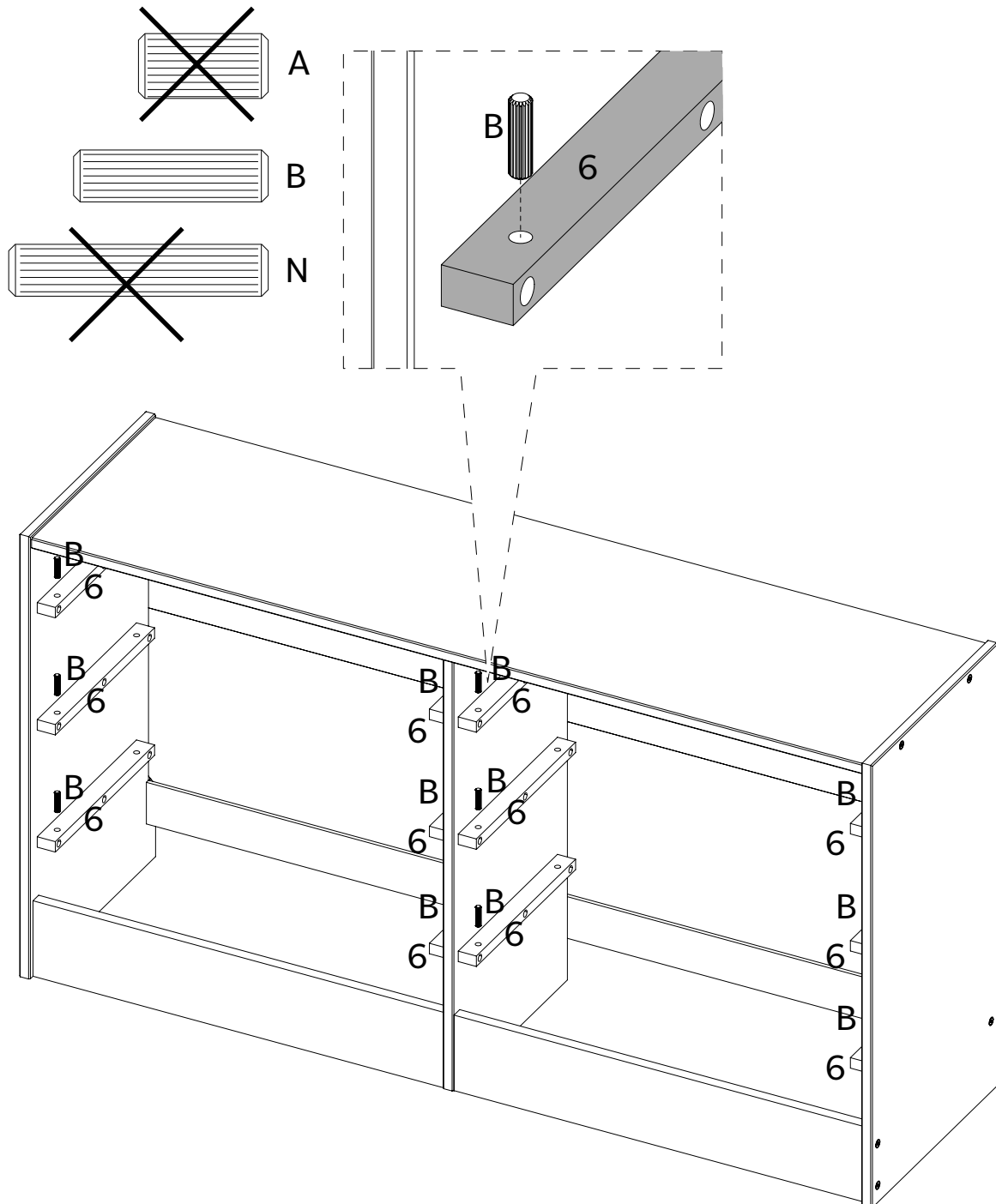
# Step 16

Fit all Supports (I) with all Screws (J) 16mm in the grooves on the Top panel (1), Left side panel (4), Back rail (5) and Right side panel (8) to keep Back panel (7) fixed. Use a Phillips head screwdriver.



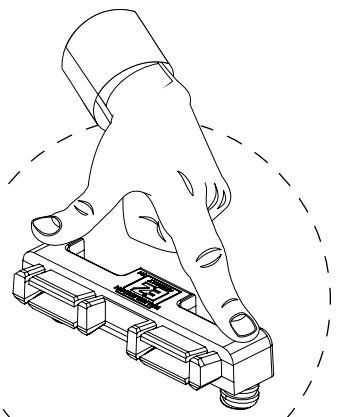
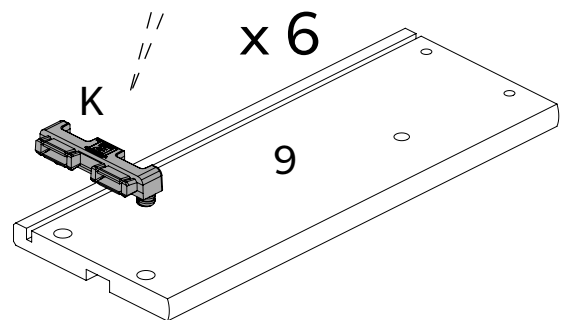
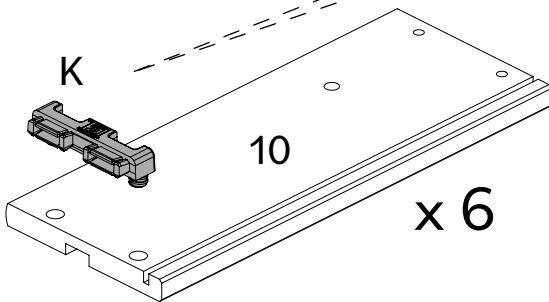
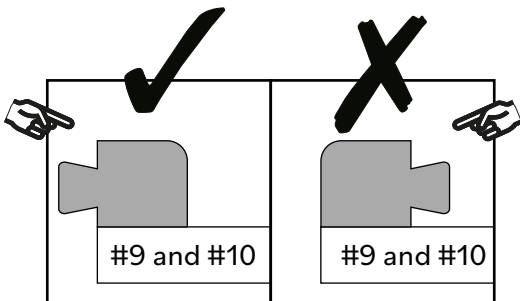
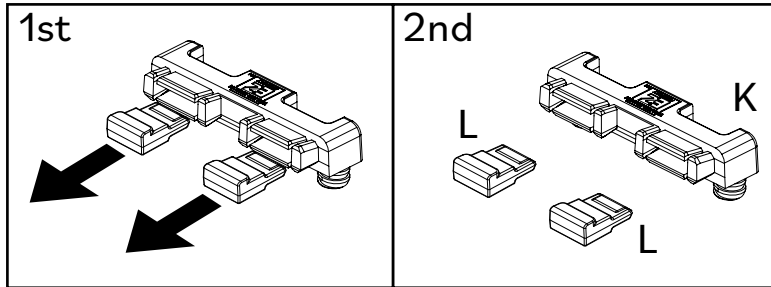
# Step 17

Insert 12 Wood dowels (B) 30mm into the front hole in the Wood sliders (6). This is necessary to stop the drawer from falling.



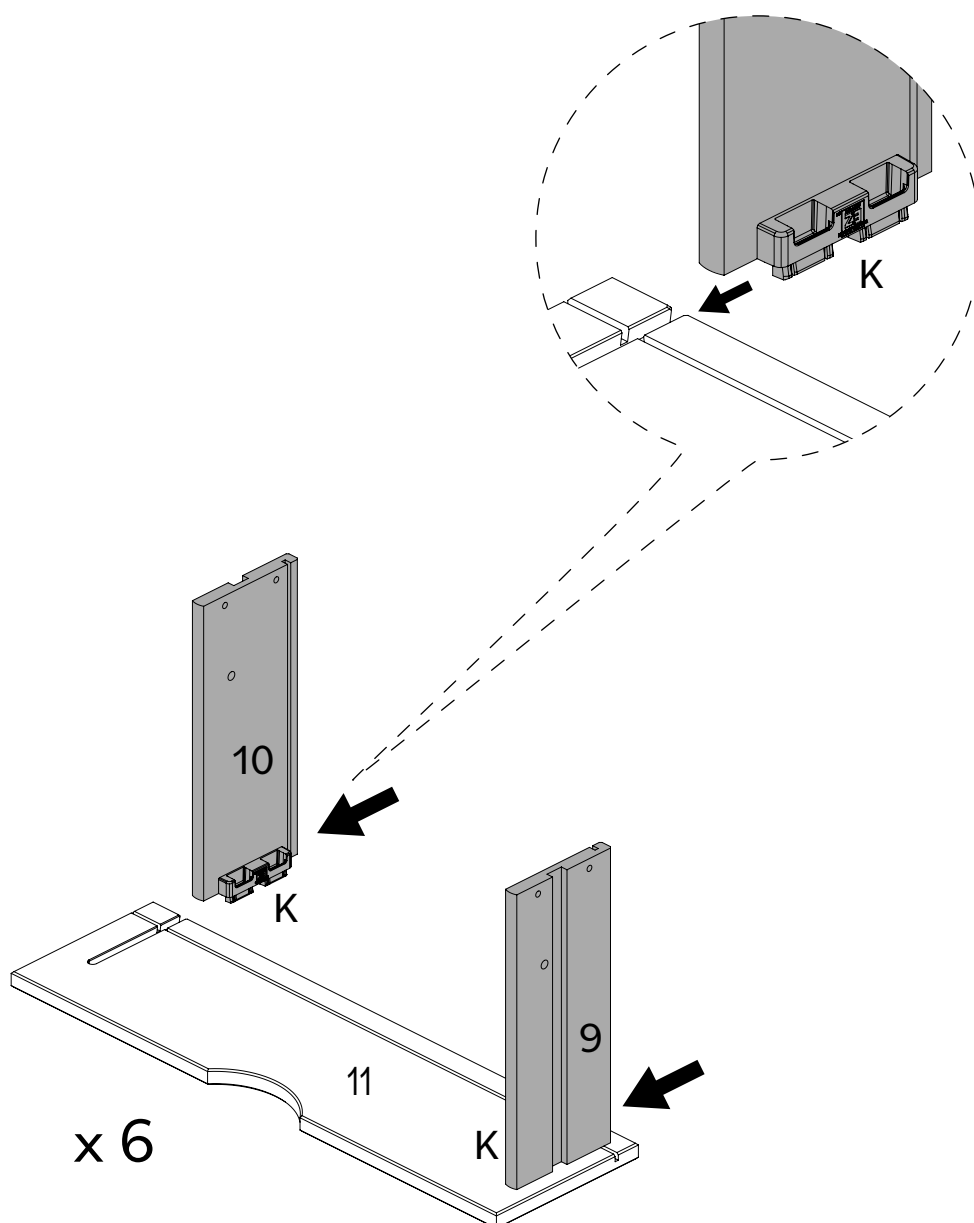
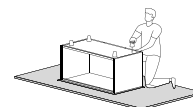
# Step 18

Firstly, detach the all Dovetail locks (L) of the Dovetails (K). Fix the Dovetails (K) to the Right drawer side (9) x6 and Left drawer side (10) x 6. Use a hammer if necessary.



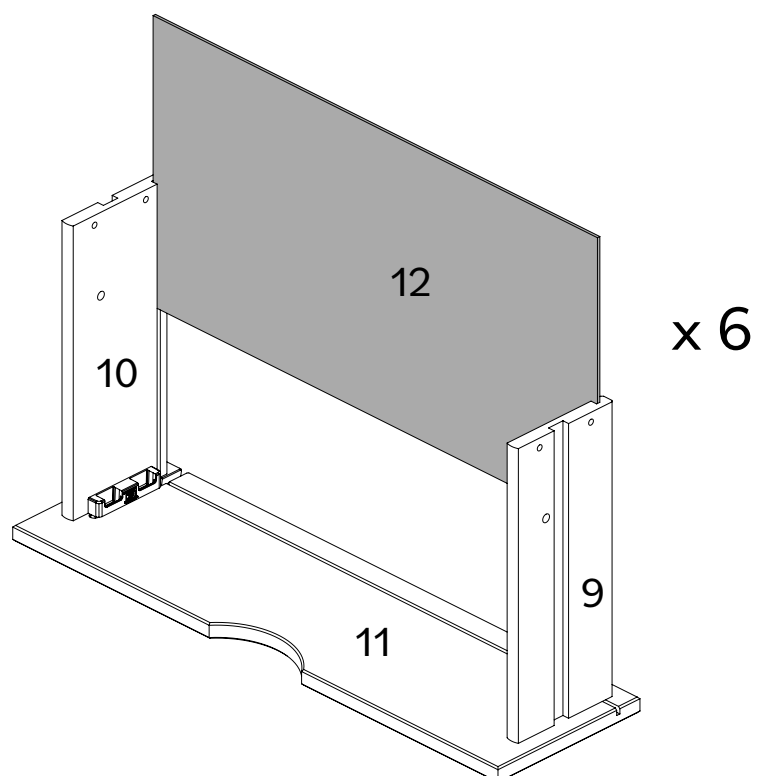
# Step 19

Slide the dovetails (K) on the grooves in the Drawer fronts (11) x 6.



# Step 20

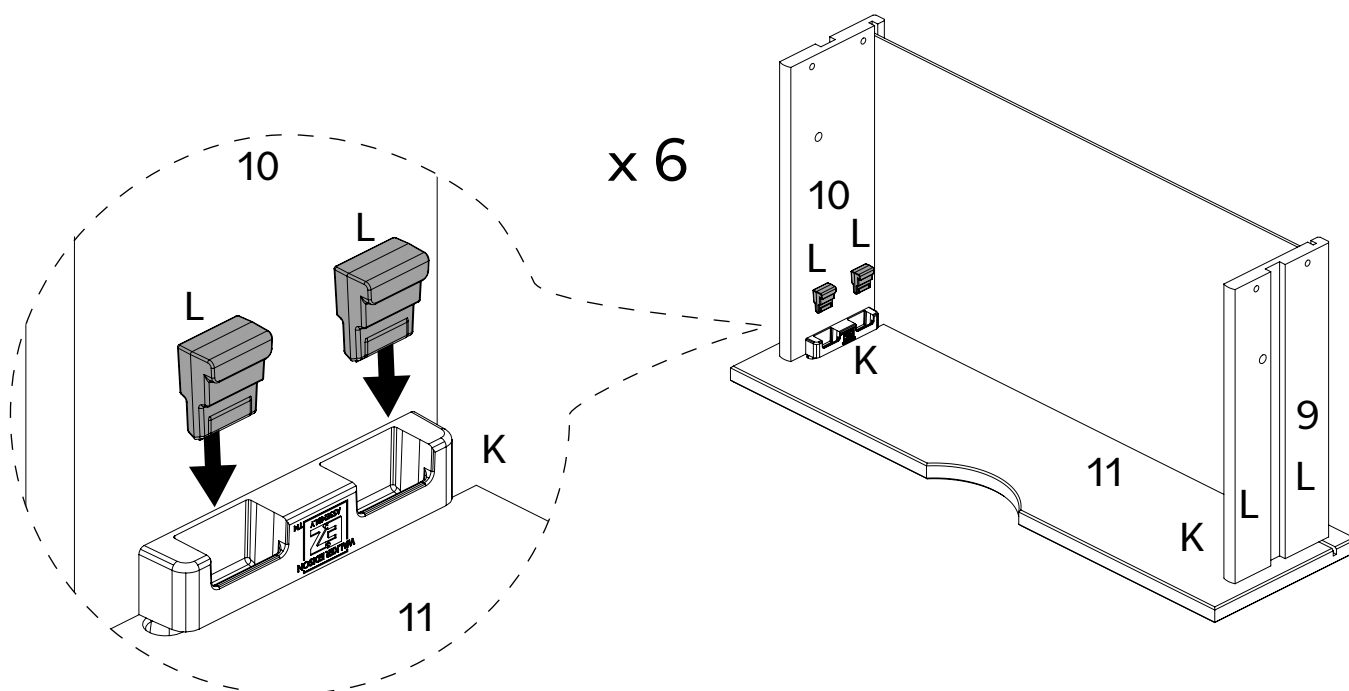
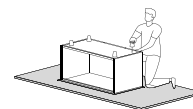
Insert the Drawer bottoms (12) x 6 into grooves on the Right drawer side(9), Left drawer side(10) and Drawer front (11).





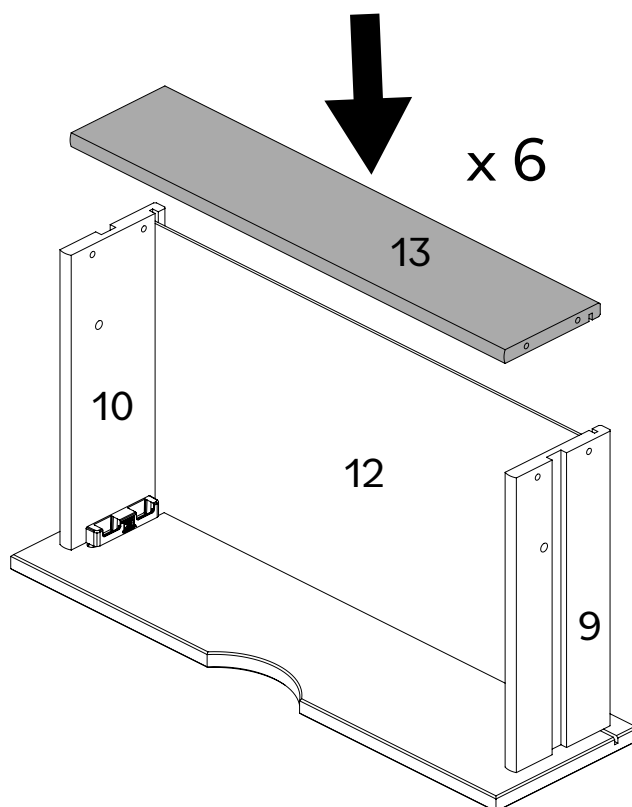
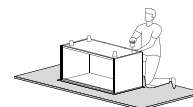
# Step 21

Insert the Dovetail lockers (K) x 12 in the Dovetails (J) to lock the Drawer front (11) x 6. Use a hammer if necessary.



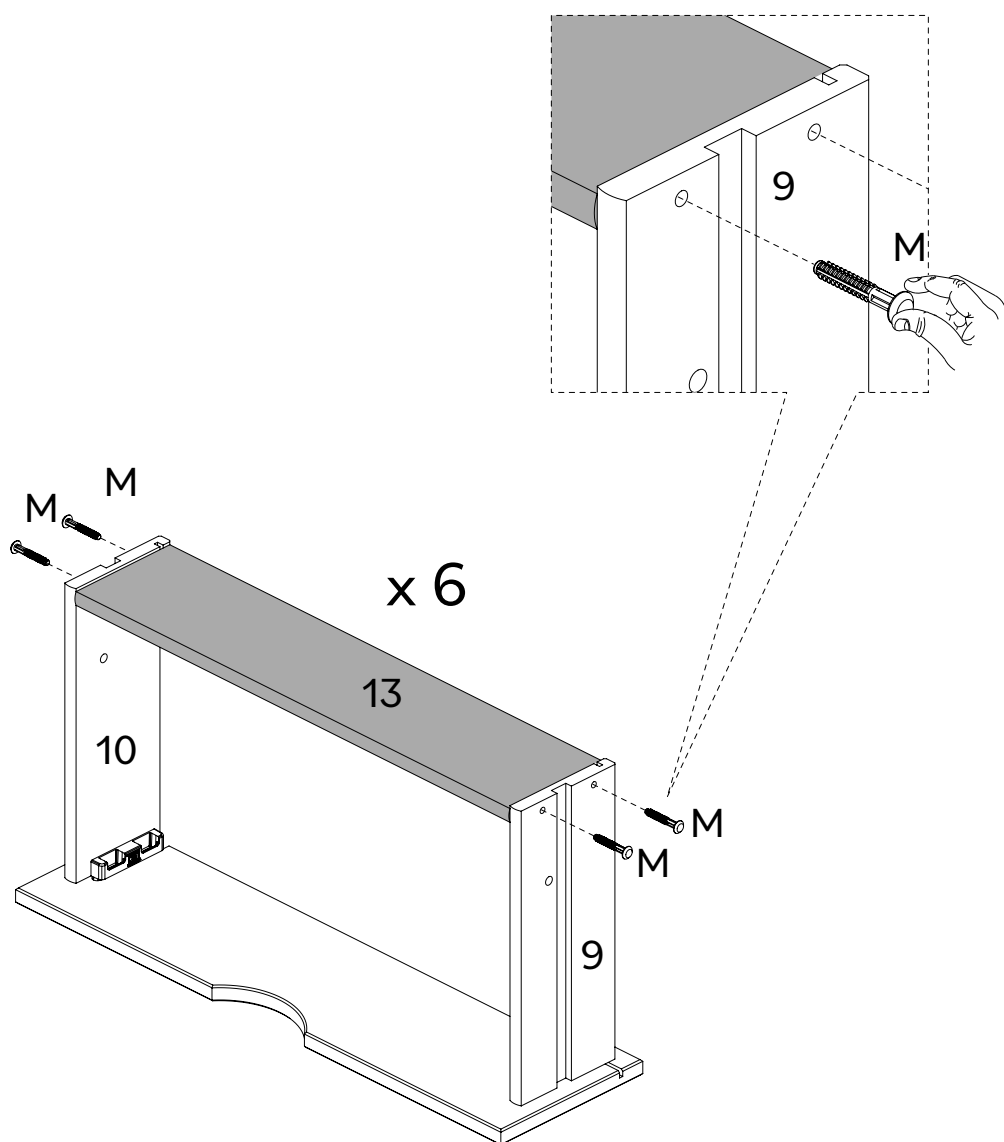
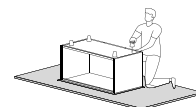
# Step 22

Insert Drawer backs (13) x 6 between Right drawer sides (9) and Left drawer sides (10).



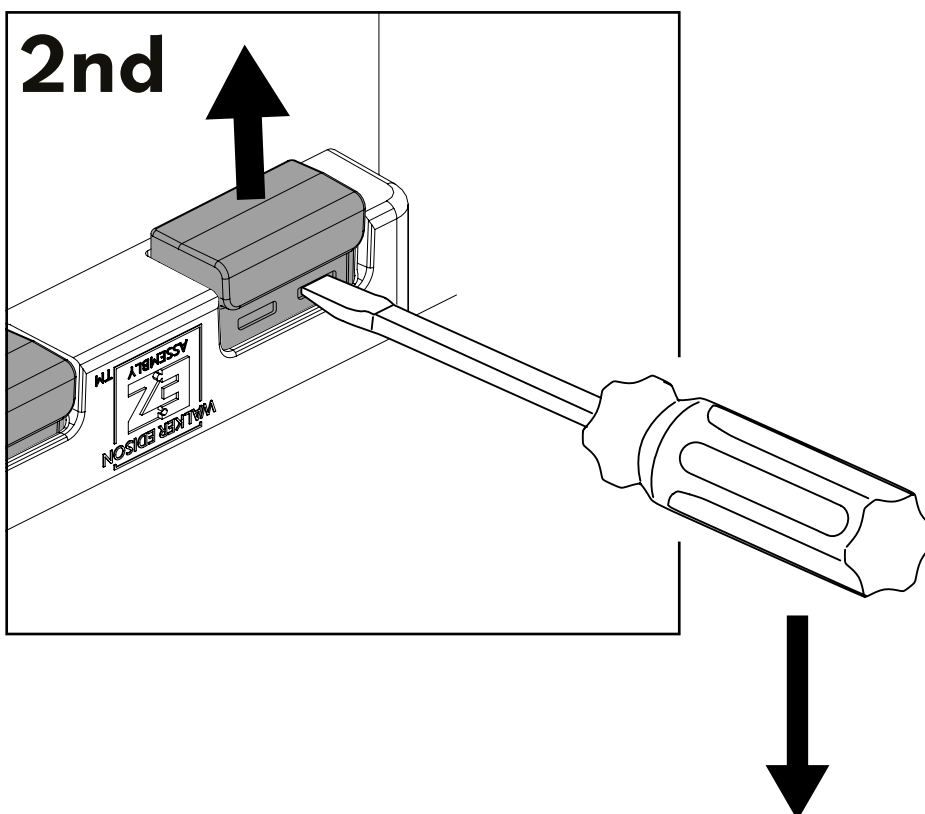
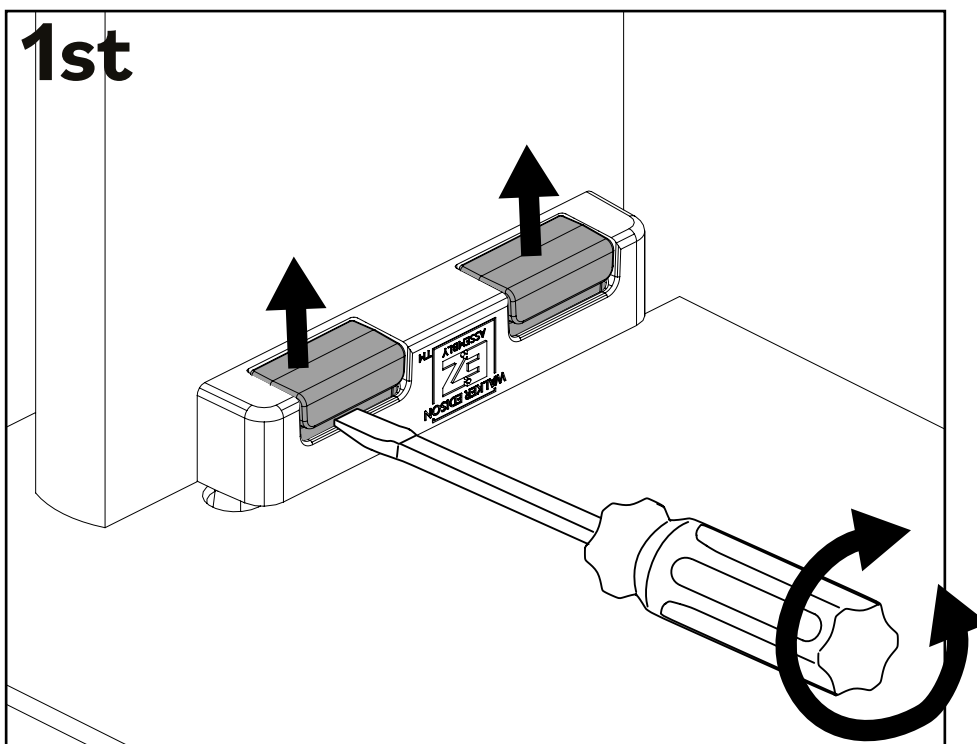
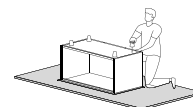
# Step 23

Secure the Drawer back (13) inserting Plastic screws (M) x 24 in the holes on the Right drawer sides (9) and Left drawer sides (10). Use a hammer if necessary.



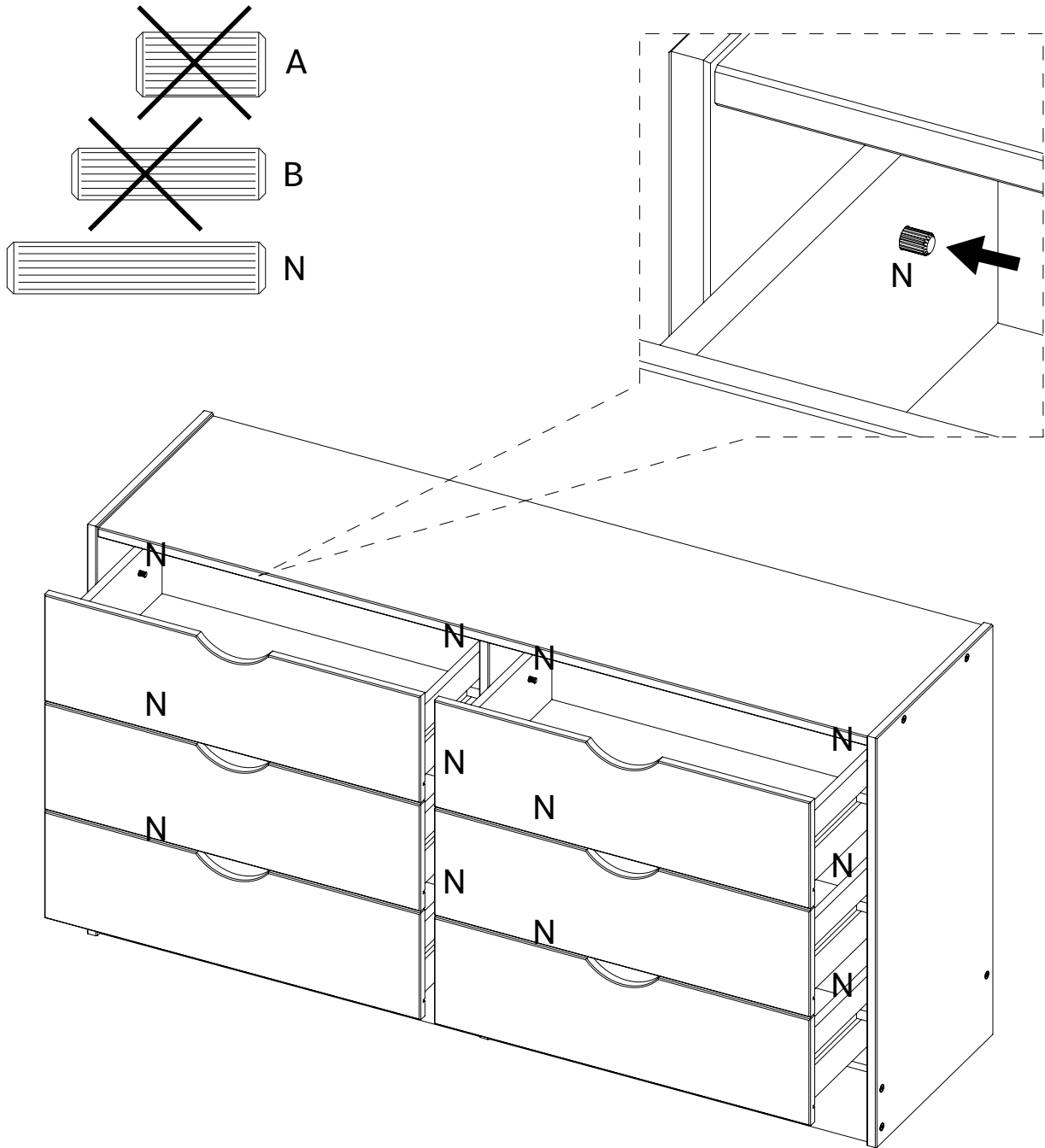
# Step 24

If it is necessary to disassemble, remove the Dovetail locker(L) with a Slotted head screwdriver.

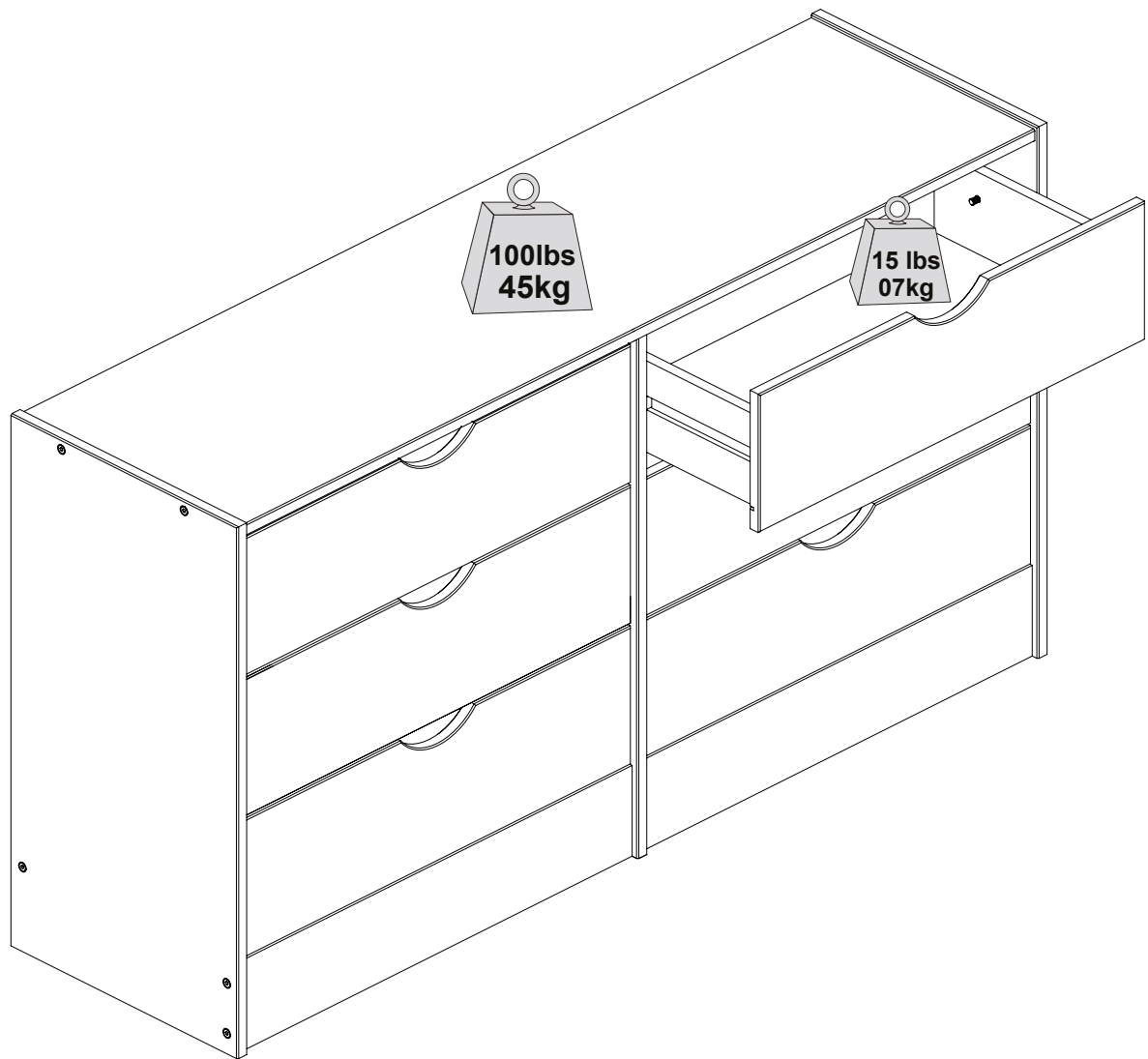


# Step 25

Insert all Wooden dowels (N) 40mm on the inside of all drawers, with the drawer inside the unit, after having passed the wooden dowel that is in the drawer side. The dowel is not aligned with the panel, it is a little inside the drawer to help when you need to remove the lock dowel to remove the drawer.



# Final Assembly



Congratulations on your new piece of furniture!  
We would love to hear about it and see it.  
Please leave us a review or post a picture with  
[#mywalkerredisonhome](https://www.instagram.com/mywalkerredisonhome)

# Assembling furniture can be tricky sometimes.

Our customer service team, located in Utah, is here for product information, help assembling a product, or for any other customer support issue

Call us at **801-433-3008**

Email us at [service@walkeredison.com](mailto:service@walkeredison.com)

Visit our Customer Service website at [walkeredison.com/pages/customer-service](http://walkeredison.com/pages/customer-service)

We are available to help Monday -Thursday 8am-5pm, Friday 8am-3pm MST

For details on Assembly Videos, Assembly Instructions, Replacement Parts, and Customer service,

**SCAN HERE**

