



ISLAND CONCEPT INSPIRATION AND PLANNING

FEATURING THE BUILT-IN 700 SERIES 32" GRILL

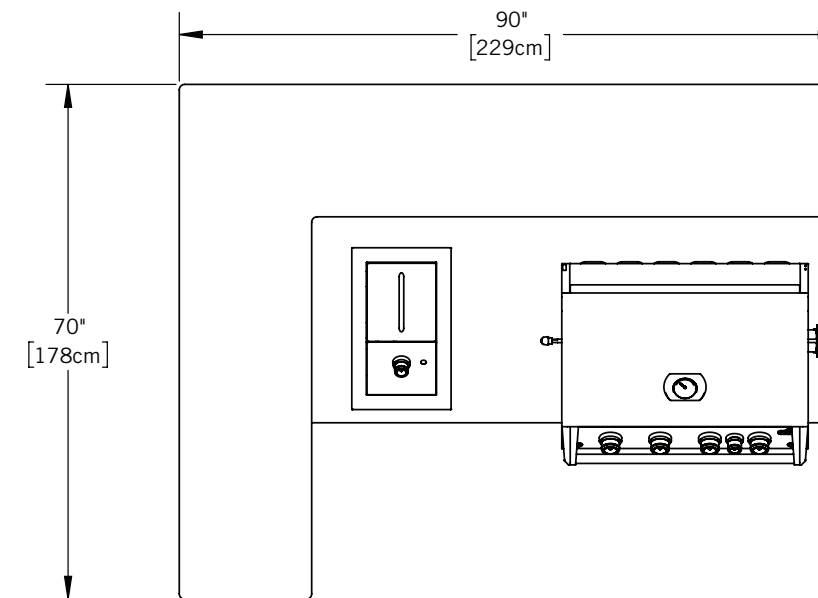
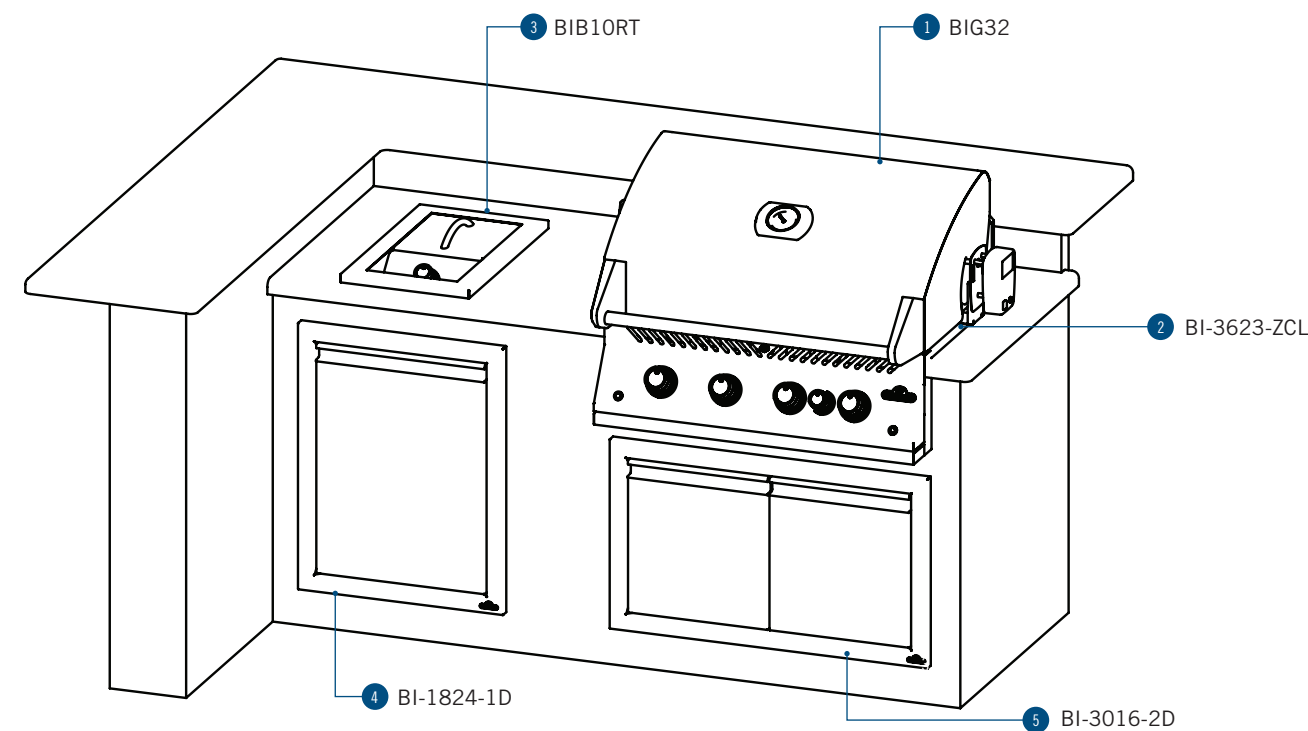
MODEL: **BIG32** FILE PART # **N415-0659**



Dark Fine Coat Stucco



Concrete Counter Top

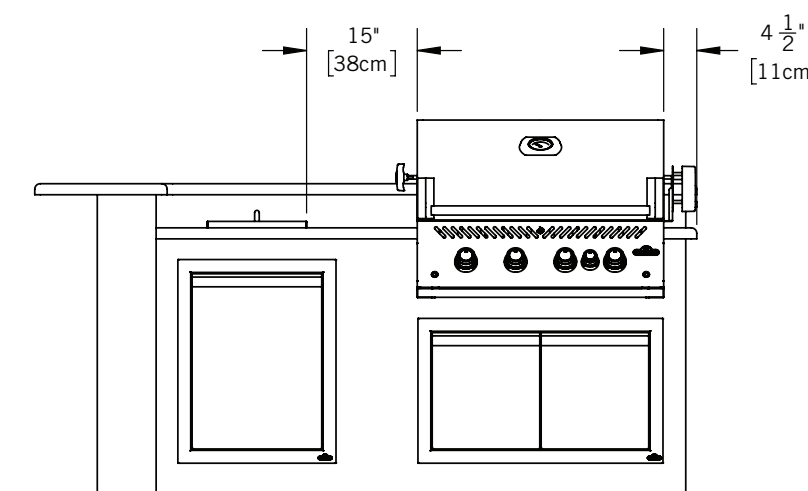
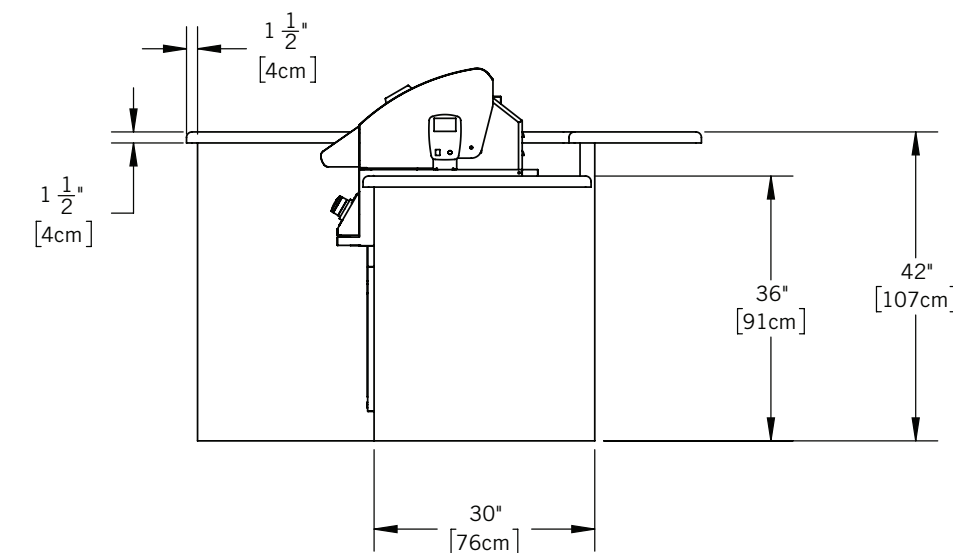


CUT-OUT DIMENSIONS

		W	D	H
1 BIG32	MIN	30"	19.4"	10.25"
	MAX	76.2 cm	49.3 cm	26 cm
2 BI-3623-ZCL	MIN	32"	19.75"	-
	MAX	81.3 cm	50.2 cm	-
3 BIB10IR / BIB10RT	MIN	36"	22.25"	11.25"
	MAX	91.4 cm	56.5 cm	28.6 cm
4 BI-1824-1D	MIN	10"	18.75"	6"
	MAX	25.4 cm	47.6 cm	15.2 cm
5 BI-3016-2D	MIN	12"	20.75"	-
	MAX	30.5 cm	52.7 cm	-

		W	D	H
4 BI-1824-1D	MIN	18.63"	3"	24.75"
	MAX	47.3 cm	7.6 cm	62.9 cm
5 BI-3016-2D	MIN	30.5"	3"	16.75"
	MAX	77.5 cm	7.6 cm	42.5 cm

NOTE: * CLEARANCES ARE MEASURED FROM APPLIANCE, NOT ACCESSORY. REFERENCE OWNER'S MANUAL FOR INSTALLATION INSTRUCTIONS AND DEFINITIONS





ISLAND CONCEPT INSPIRATION AND PLANNING

FEATURING THE BUILT-IN 700 SERIES 38" GRILL

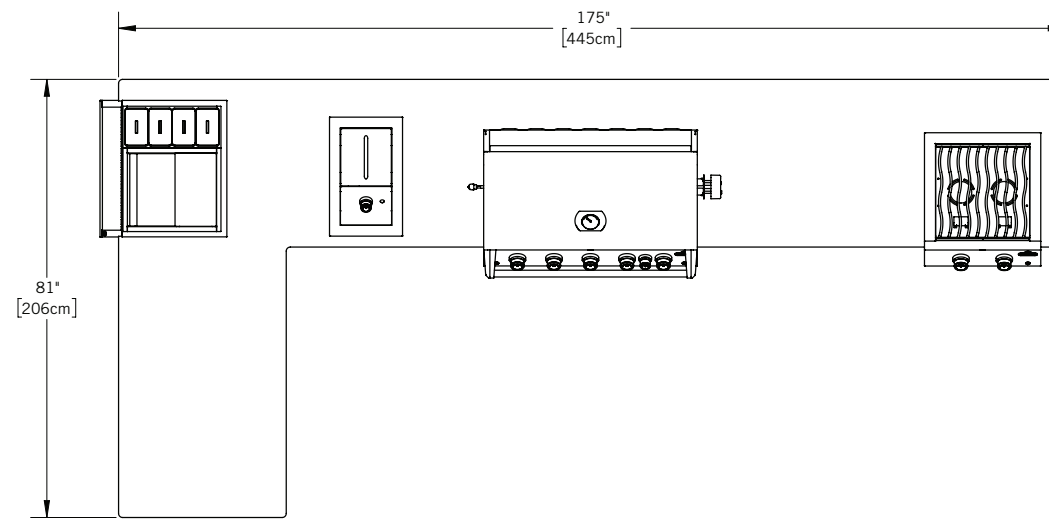
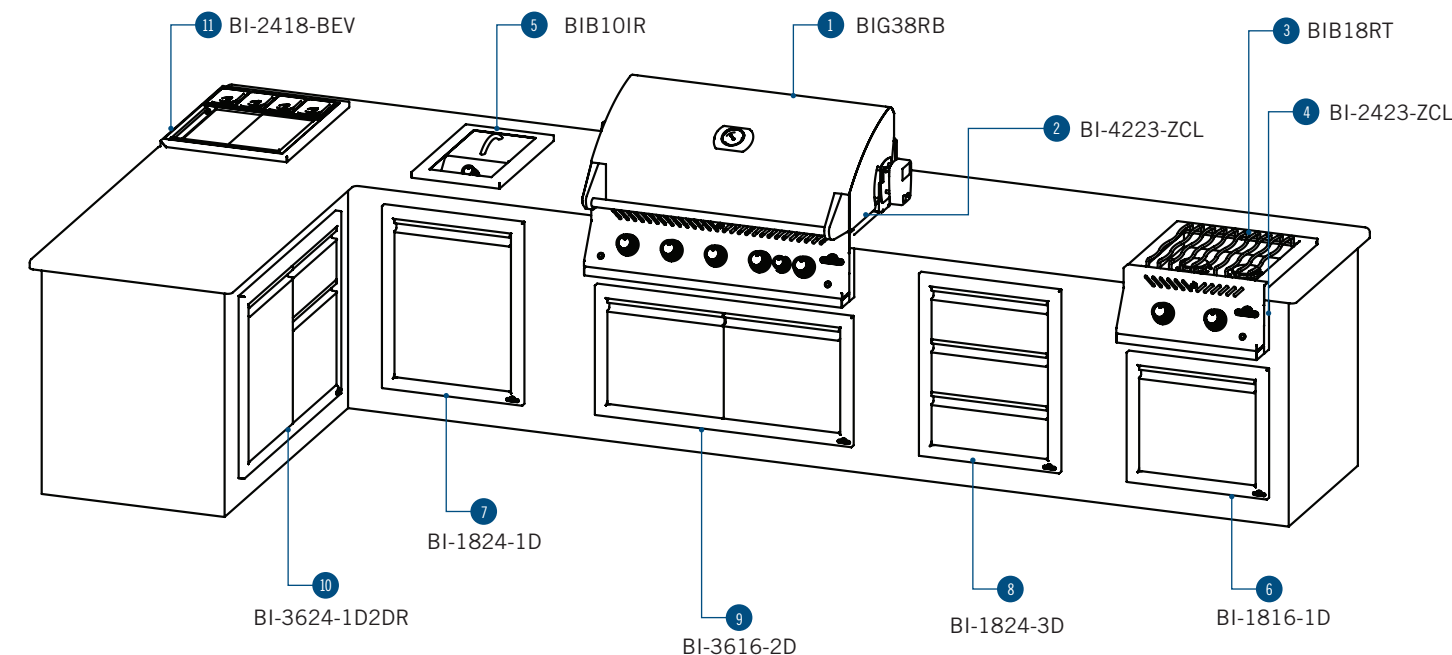
MODEL: **BIG38** FILE PART # **N415-0660**



White Smooth Stucco



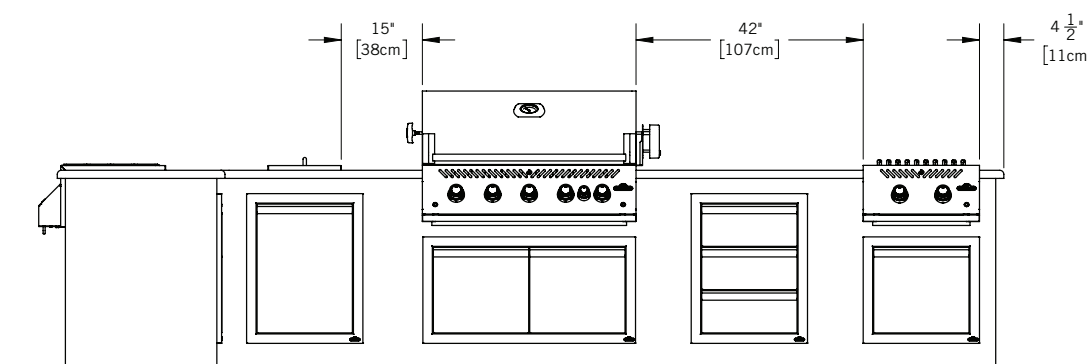
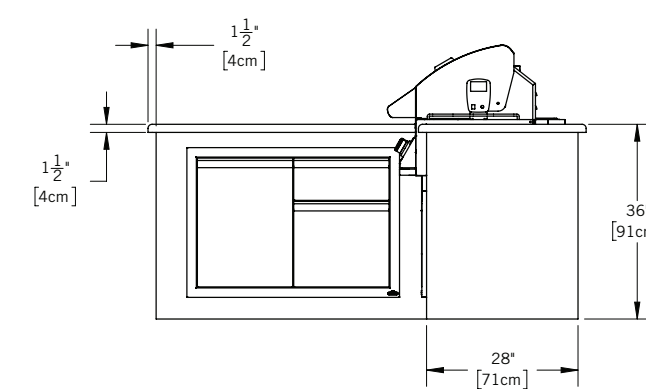
Black Slate Counter Top



CUT-OUT DIMENSIONS		W	D	H
1 BIG38	MIN	36"	19.4"	10.25"
	MAX	91.4 vcm	49.3 cm	26 cm
2 BI-4223-ZCL	MIN	38"	19.75"	-
	MAX	96.5 cm	50.2 cm	-
3 BIB18IR / BIB18RT	MIN	18"	19.4"	10.25"
	MAX	45.7 cm	49.3 cm	26 cm
4 BI-2423-ZCL	MIN	24"	22.5"	11.5"
	MAX	61 cm	56.5 cm	28.6 cm
5 BIB10IR / BIB10RT	MIN	10"	18.75"	6"
	MAX	25.4 cm	47.6 cm	15.2 cm
6 BI-1816-1D	MIN	12"	20.75"	-
	MAX	30.5 cm	52.7 cm	-

CUT-OUT DIMENSIONS		W	D	H
7 BI-1824-1D	MIN	18.63"	3"	16.75"
	MAX	47.3 cm	7.6 cm	42.5 cm
8 BI-1824-3D	MIN	18.63"	22.75"	24.75"
	MAX	47.3 cm	57.8 cm	62.9 cm
9 BI-3616-2D	MIN	36.5"	3"	16.75"
	MAX	92.7 cm	7.6 cm	42.5 cm
10 BI-3624-1D2D	MIN	36.5"	22.75"	24.75"
	MAX	92.7 cm	57.8 cm	62.9 cm
11 BI-2418-BEV	MIN	-	-	-
	MAX	-	-	-

NOTE: * CLEARANCES ARE MEASURED FROM APPLIANCE, NOT ACCESSORY. REFERENCE OWNER'S MANUAL FOR INSTALLATION INSTRUCTIONS AND DEFINITIONS

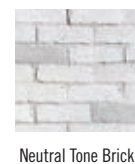




ISLAND CONCEPT INSPIRATION AND PLANNING

FEATURING THE BUILT-IN 700 SERIES 44" GRILL

MODEL: **BIG44** FILE PART # **N415-0661**



Neutral Tone Brick



Light Concrete Counter Top

CUT-OUT DIMENSIONS		W	D	H
1 BIG44	MIN	42"	19.4"	10.25"
	MAX	106.7 cm	49.3 cm	26 cm
2 BI-4823-ZCL	MIN	42"	22.25"	11.25"
	MAX	96.5 cm	50.2 cm	28.6 cm
3 BIB18IR / BIB18RT	MIN	18"	19.4"	10.25"
	MAX	45.7 cm	49.3 cm	26 cm
4 BI-2423-ZCL	MIN	24"	22.25"	11.25"
	MAX	61 cm	56.5 cm	28.6 cm

CUT-OUT DIMENSIONS		W	D	H
5	NFR0550USS	24"	24"	34"
6	BI-1816-1D	18.63"	3"	16.75"
7	BI-1824-1D	47.3 cm	7.6 cm	42.5 cm
8	BI-1824-3DR	18.63"	3"	24.75"
9	BI-3616-2D	47.3 cm	7.6 cm	62.9 cm
10	BI-3624-1D2D	18.63"	22.75"	24.75"
9	BI-3616-2D	47.3 cm	7.6 cm	62.9 cm
10	BI-3624-1D2D	36.5"	3"	16.75"
9	BI-3616-2D	92.7 cm	7.6 cm	42.5 cm
10	BI-3624-1D2D	36.5"	22.75"	24.75"
11	BI-2418-BEV	92.7 cm	57.8 cm	62.9 cm

NOTE: * CLEARANCES ARE MEASURED FROM APPLIANCE, NOT ACCESSORY. REFERENCE OWNER'S MANUAL FOR INSTALLATION INSTRUCTIONS AND DEFINITIONS

