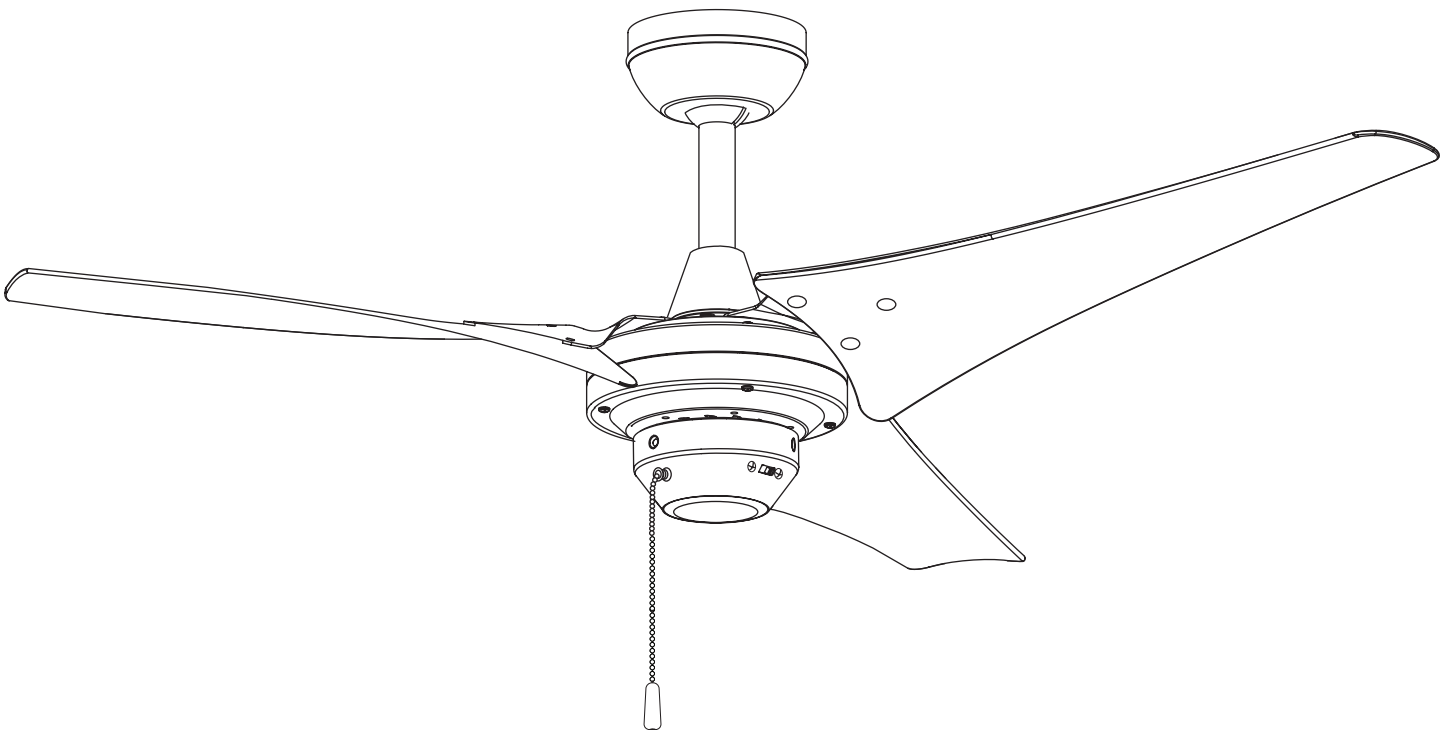


56" CEILING FAN

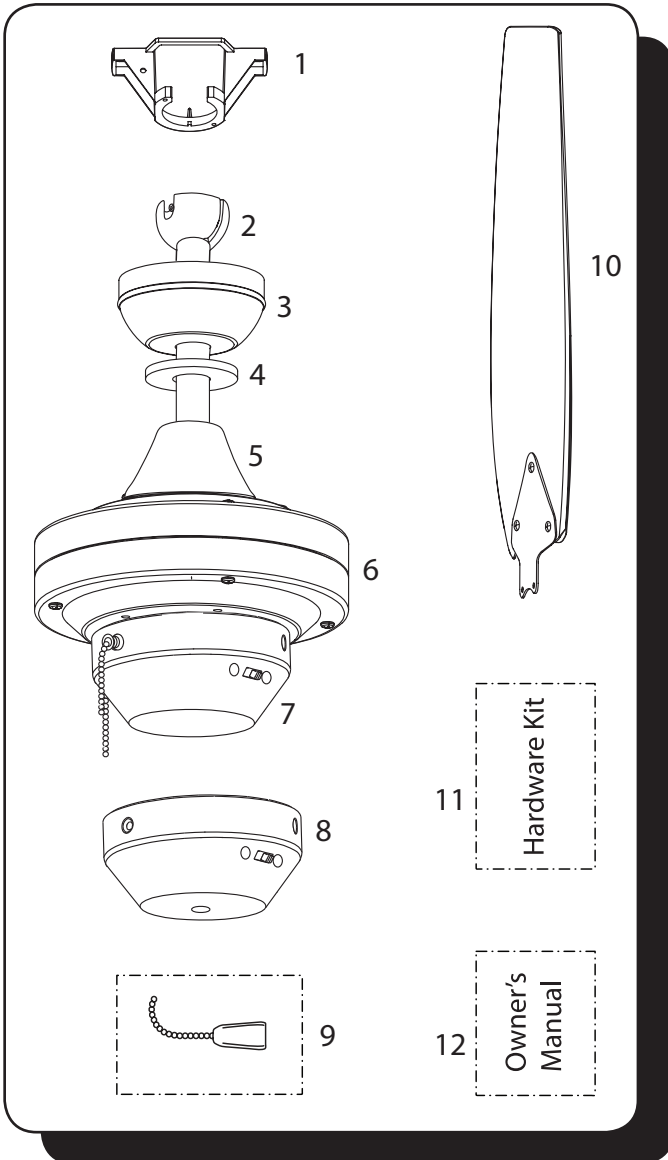
Owner's Manual
Model #50330



If a problem cannot be remedied or you are experiencing difficulty in installation, please contact the Service Department: 1-877-706-3267, 9 a.m.- 5 p.m. Central time.



PACKAGE CONTENTS



Unpack your fan and check the contents. You should have the following items:

PACKAGE CONTENTS

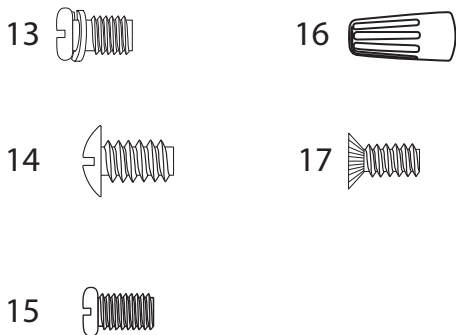
- | | |
|---------------------|-------------------------------|
| 1. Mounting Bracket | 8. Optional Light Kit Housing |
| 2. Downrod | 9. Pull Chain Extension |
| 3. Canopy | 10. Blades (x 3) |
| 4. Canopy Cover | 11. Hardware Kit |
| 5. Yoke Cover | 12. Owner's Manual |
| 6. Motor Assembly | |
| 7. Switch Housing | |

HARDWARE CONTENTS

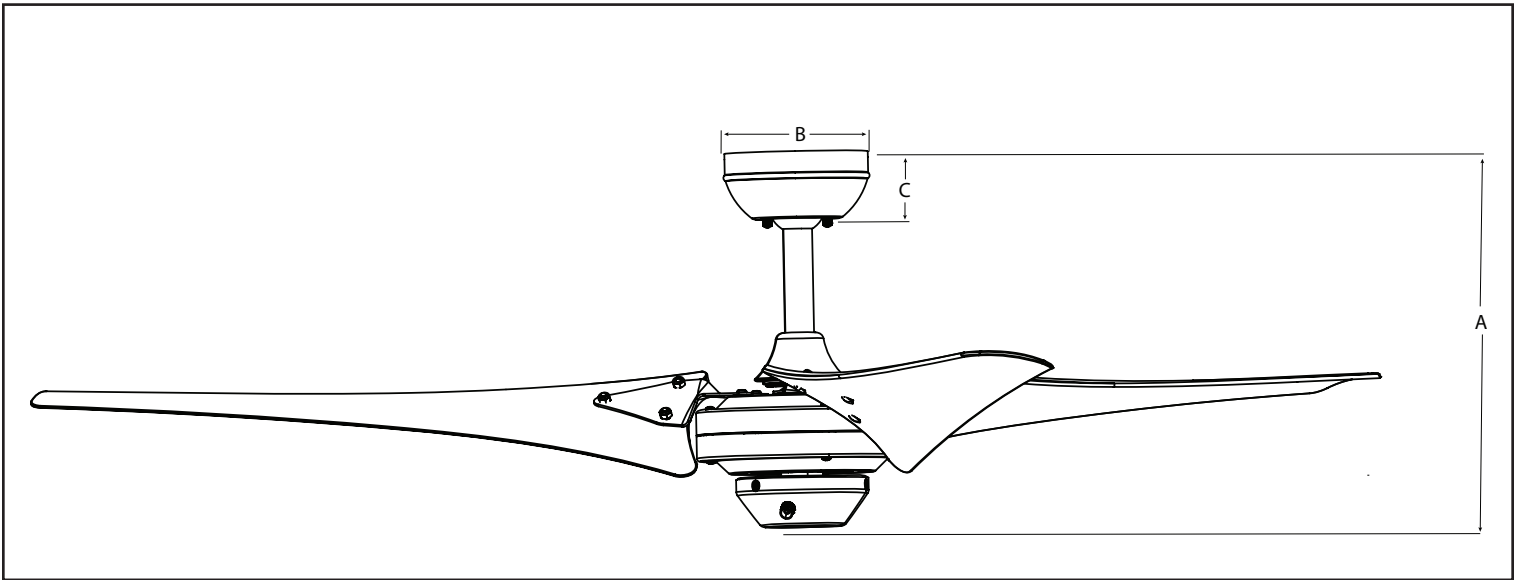
- | | |
|----------------------------------|--------------------------------|
| 13. Motor Screw (x 6) | 16. Wire Connector (x 3) |
| 14. Mounting Bracket Screw (x 4) | 17. Switch Housing Screw (x 3) |
| 15. Downrod Set Screw (x 2) | |

Note: Some extra hardware has been included. The quantity listed above is the number required for installation.

HARDWARE CONTENTS



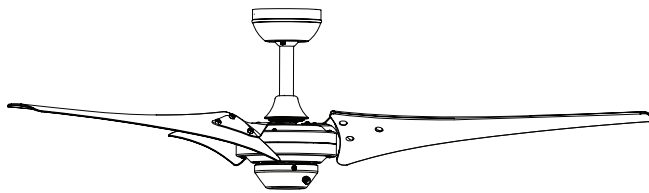
DIMENSION REFERENCE



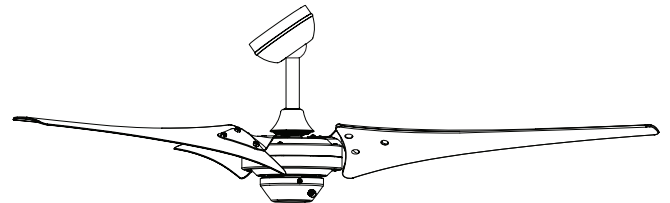
A. 13.75 in. B. 5.19 in. C. 2.40 in.

MOUNTING OPTIONS

Dual Mounting Options



Downrod Mount



Slope Ceiling Mount (Up to 16 degrees)

Choose one of the following mounting options:

Downrod Mount is best suited for ceilings 8 ft. or higher. For taller ceilings you may want to use a longer downrod (not included).

Angled Ceiling Mount is best suited for angled or vaulted ceilings. A longer downrod is sometimes necessary to ensure proper blade clearance from the ceiling. If using the angle mount, check to ensure the ceiling angle is not steeper than 16°.

SAFETY INSTRUCTIONS

READ ALL SAFETY INFORMATION AND INSTALLATION INSTRUCTIONS BEFORE YOU BEGIN INSTALLING THE FAN AND SAVE INSTRUCTIONS.

- All set screws of the fan must be checked and retightened where necessary before installation.
- To reduce the risk of personal injury, do not bend the blade brackets when installing the brackets, balancing the blades or cleaning fan. Do not insert foreign objects in between rotating fan blades.
- Before changing the fan direction, turn off the fan and wait for the fan blades to stop completely.
- If a stationary appliance is not provided with a supply cord and a plug, or with other means for disconnection from the main supply having a contact separation of at least 3 mm in all poles, that means for disconnection must be incorporated in the fixed wiring in accordance with the wiring rules.
- NOTE: The safeguards provided by these safety instructions and by the separate installation instructions are not meant to cover all possible conditions and situations that may occur. It must be understood that common sense, caution and care are factors which can not be built into this product. These factors must be supplied by the person(s) installing, caring for and operating the fan.

WARNING

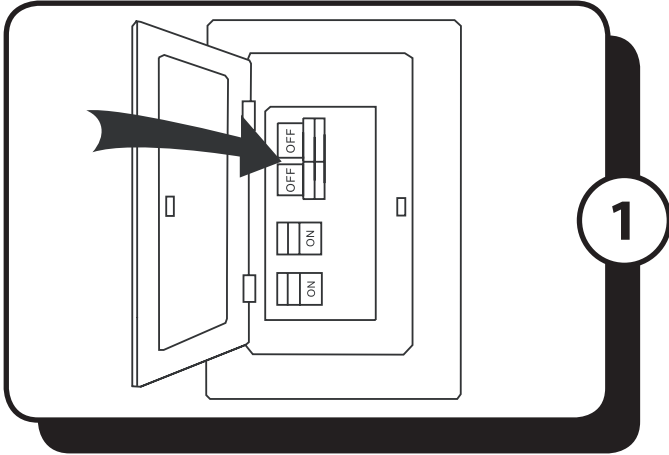
- TO AVOID RISK OF ELECTRIC SHOCK, BE SURE TO SHUT OFF POWER AT THE MAIN FUSE OR CIRCUIT BREAKER BOX BEFORE INSTALLING OR SERVICING THIS FIXTURE. TURNING OFF THE ELECTRICAL POWER BY USING THE LIGHT SWITCH IS NOT SUFFICIENT TO PREVENT ELECTRICAL SHOCK.
TO REDUCE THE RISK OF INJURY, INSTALL THE FAN SO THAT THE BLADES ARE AT LEAST 7 FEET (2.1 METERS) ABOVE THE FLOOR AND AT LEAST 18 INCHES (0.5 METERS) FROM THE TIP OF THE BLADES TO THE WALL.
- TO REDUCE THE RISK OF FIRE, ELECTRIC SHOCK, OR PERSONAL INJURY, MOUNT TO OUTLET BOX MARKED "ACCEPTABLE FOR FAN SUPPORT" AND USE MOUNTING SCREWS PROVIDED WITH THE OUTLET BOX.
THE INSTALLATION HAS TO BE IN ACCORDANCE WITH THE NATIONAL ELECTRICAL CODE, ANSI/NFPA 70-1999 AND LOCAL CODES. IF YOU ARE UNFAMILIAR WITH THE METHODS OF INSTALLING ELECTRICAL WIRING, SEEK THE SERVICES OF A QUALIFIED LICENSED ELECTRICIAN.

IMPORTANT:

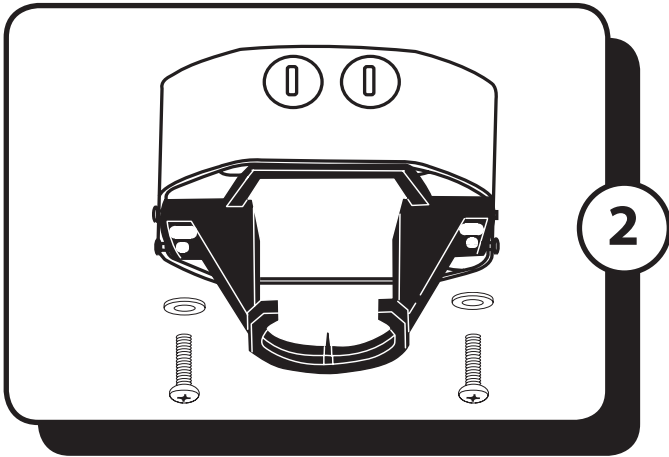
- Before you begin installing or using the fan, carefully read the entire manual. If unsure about any part of the installation, contact a qualified electrician.
- Save all instructions.

NOTE: The fan weight is net weight: 13.34 lb (6,35 kg). Be sure the outlet box (not included) is securely attached to the building structure and is marked "Acceptable For Fan Support". Failure to do so can result in serious injury.

ASSEMBLY INSTRUCTIONS

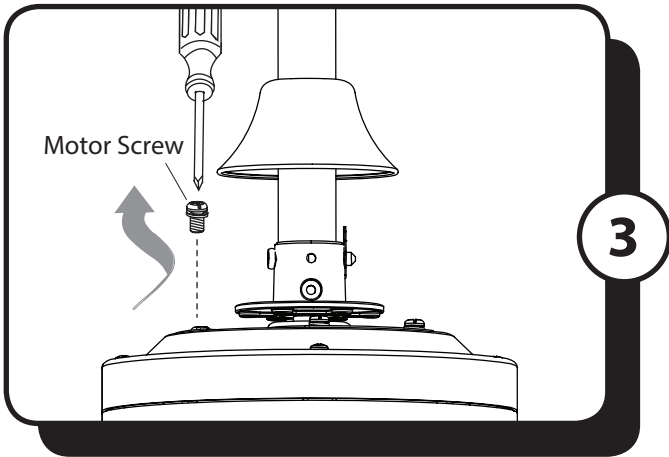


1. Turn OFF the electrical power at the main fuse or circuit breaker.

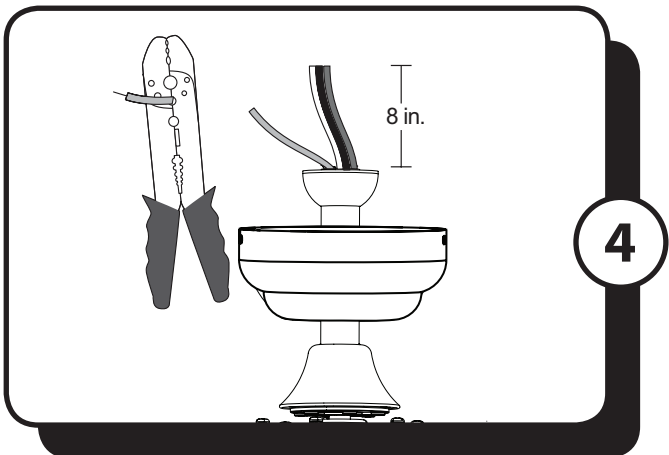


2. Install the mounting bracket to the outlet box (not included) using the screws and washers provided with the outlet box.

Warning: To reduce the risk of fire electric shock, or personal injury, mount to the outlet box marked "acceptable for fan support" and use the mounting screws and washers provided with the outlet box.

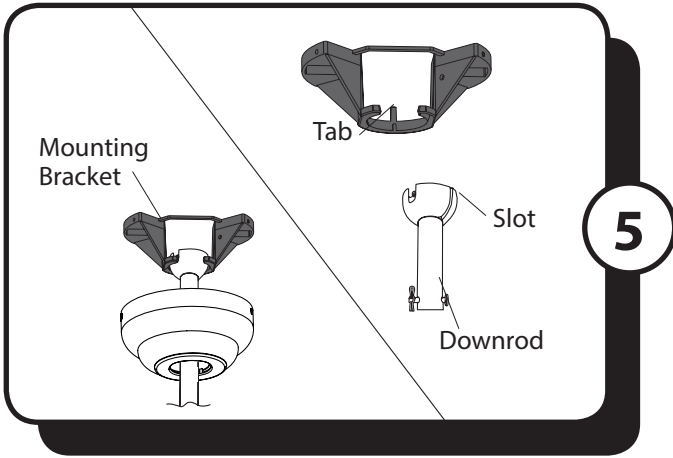


3. Remove the six motor screws from the top of the motor assembly and save for blade installation.



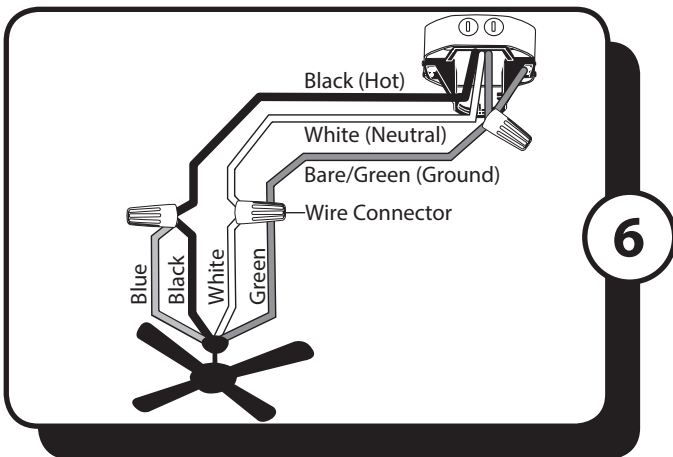
4. Depending on the length of the downrod you choose, you may want to cut the lead wires back to simplify wiring. If you decide to cut back the lead wires, do so in the following manner: Pull the lead wires completely through the top of the downrod on the motor assembly. Measure 8 inches of lead wire and cut off the excess with wire cutters. Then, strip 1/2 inch of insulation from the end of each wire and twist the ends.

ASSEMBLY INSTRUCTIONS



5. Install the ball end of the downrod into opening in the mounting bracket. Align one of the slots in the downrod with the tab in the mounting bracket. The downrod should not rotate in the mounting bracket if installed properly.

DANGER: Failure to align the slot in the ball with tab may cause the fan to fall, resulting in serious injury or death.

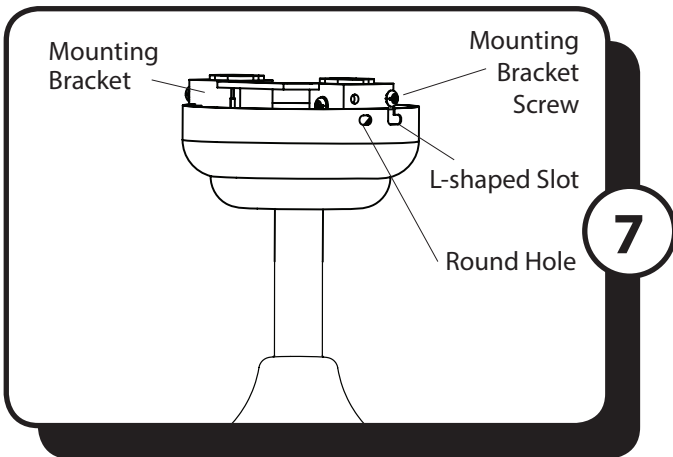


6. Connect household supply and fan wires according to the diagram and these steps:

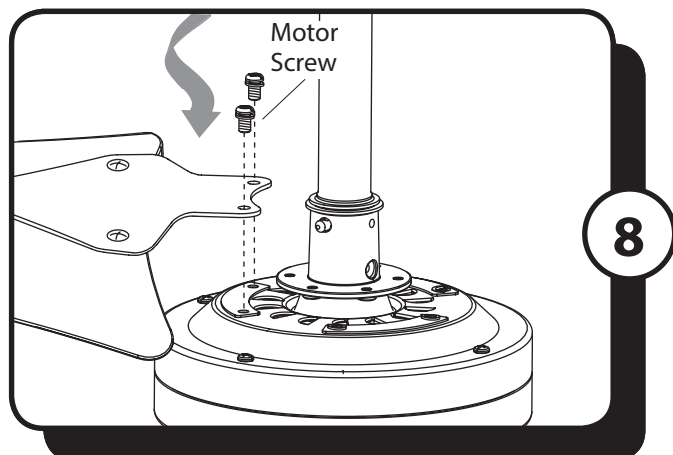
- Connect the Green wire from the downrod and mounting bracket to the Bare/Green supply wire.
- Connect the White wire from the fan to the White supply wire.
- Connect the Black and Blue wires from the fan to the Black supply wire.
- Secure all wiring connections together with wire connectors.

Note: If a second hot power wire is available from the outlet box, connect it to the blue (light power) fan wire for separate fan and light switches.

Important: After the connections have been made, the wires should be turned upward and pushed carefully up into the outlet box. Place the black and white wire connections on opposite sides of the outlet box.



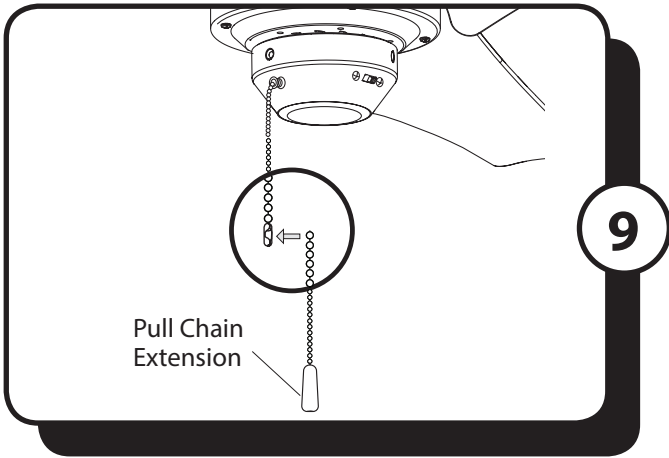
7. Raise the canopy, ensuring that the two mounting bracket screws are aligned with the L-shaped slots in the canopy. Then turn the canopy clockwise until the mounting bracket screws are completely engaged in the L-shaped slots. Install the two previously removed mounting bracket screws and star washers in the round holes. Securely tighten all mounting bracket screws.



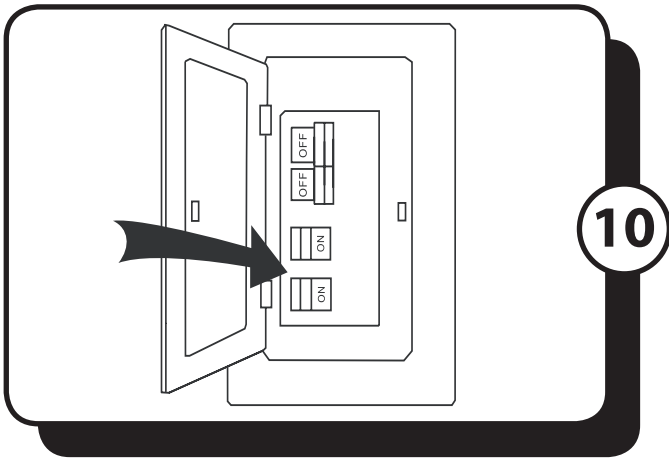
8. Align the two holes of the blade assembly over two holes on the motor assembly. Insert two of the previously removed motor screws through the holes in the blade assembly and tighten the motor screws securely. Repeat with the other two blade assemblies, making sure to completely secure each blade assembly before moving to the next.

To install an optional light kit with this fan, proceed to page 8.

ASSEMBLY INSTRUCTIONS

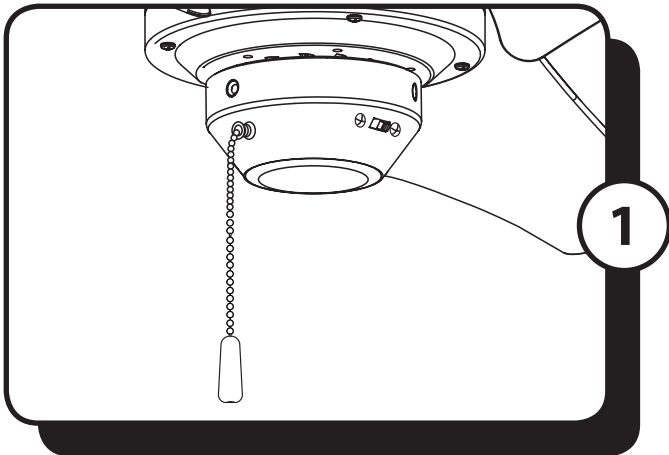


9. Attach the pull chain extension to the pull chain.



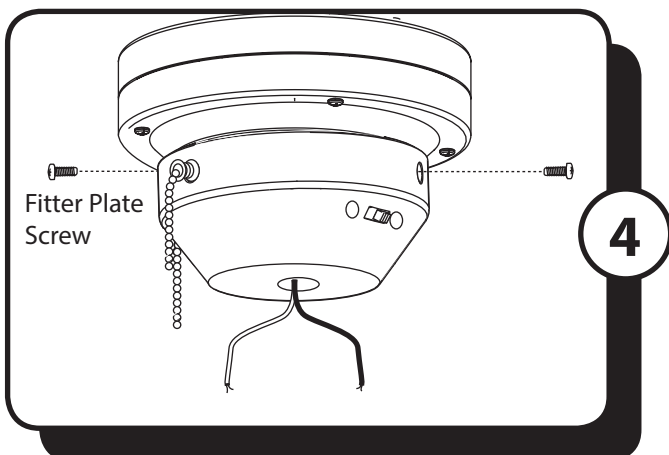
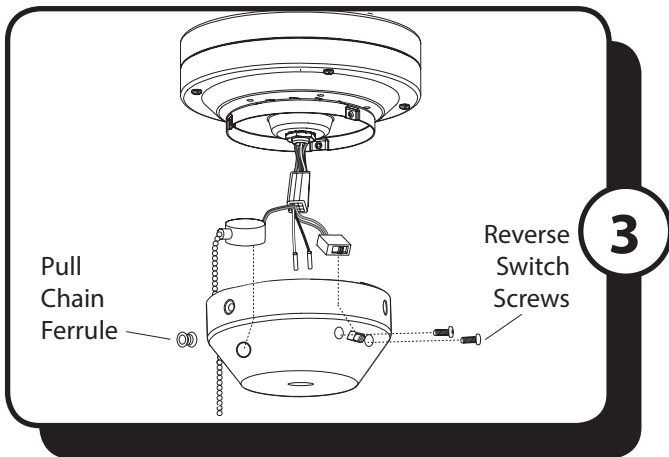
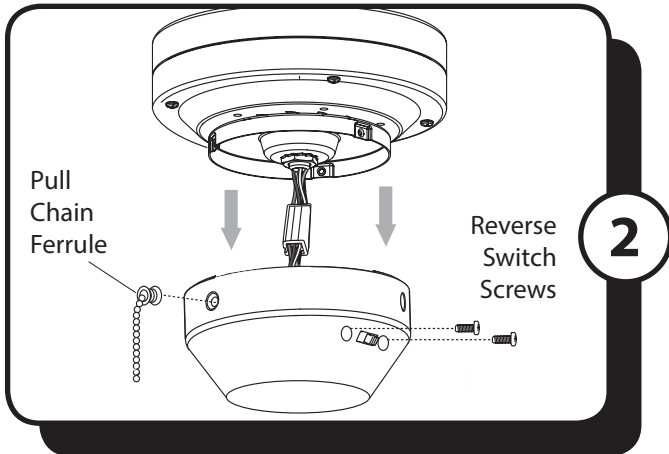
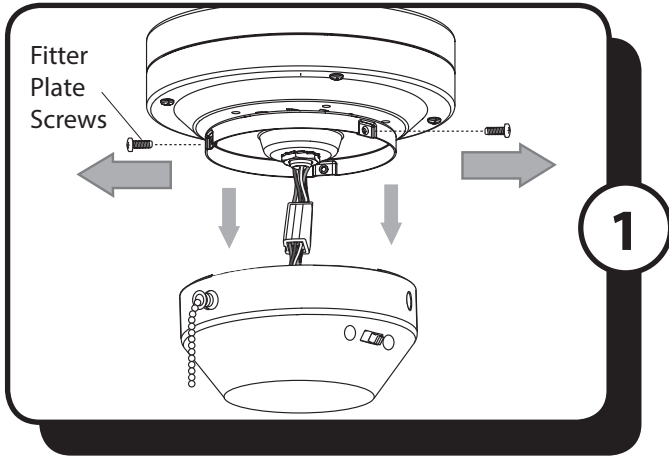
17. Restore the power at the main fuse or circuit breaker.

OPERATING INSTRUCTIONS



1. The pull chain has four positions to control the fan speed. One pull is HIGH, two is MEDIUM, three is LOW and four turns OFF the fan.

OPTIONAL LIGHT KIT INSTRUCTIONS



1. To install the fan with an optional light kit, remove the three fitter plate screws from the sides of the switch housing and set aside for later.

2. Remove the pull chain assembly by twisting the pull chain ferrule counter clockwise. Remove the reverse switch by removing the two small screws holding it in place.

3. Connect the pull chain ferrule and the reverse switch to the optional light kit housing.

4. Attach the light kit (sold separately) to the optional light kit housing according to the manufacturer's instructions. Then, reinstall the fitter plate screws to secure the optional light kit housing to the fitter plate.

TROUBLESHOOTING

If you have difficulty operating your new ceiling fan, it may be the result of incorrect assembly, installation or wiring. In some cases, these installation errors may be mistaken for defects. If you experience any faults, please check the Troubleshooting section below. If a problem cannot be remedied or you are experiencing difficulty in installation, please contact customer service: 1-877-706-3267, 9 a.m.- 5 p.m. Central time.

PROBLEM	SUGGESTED REMEDY
1. Fan does not start	<ol style="list-style-type: none">1. Check main and branch circuit fuses or circuit breakers.2. Check power supply wire connections to fan and switch wire connections in switch housing. CAUTION: Make sure main power is turned off.3. Make sure the reverse switch pushed completely left or right. Fan will not operate when switch is in the middle.4. Make sure that the wall control is turned ON.
2. Fan is noisy	<ol style="list-style-type: none">1. Make sure all screws in motor housing are snug, but not overtightened.2. Make sure the screws which attach the blade arm to the motor are tight.3. Make sure wire connectors in switch housing are not rattling against each other or against the interior wall of the switch housing. CAUTION: Make sure main power is turned off before entering switch housing.4. If using a light kit, be sure the glass shades are finger tight. Check to be sure light bulb are snug in sockets and not touching glass shade(s). If vibration persists from glass, remove glass and install a 1/4 in. wide rubber band on glass neck to act as an insulator. Replace glass and tighten screws against rubber band.5. Some fan motors are sensitive to signals from Solid State variable speed controls. DO NOT USE a Solid State variable speed control.
3. Fan wobbles	<ol style="list-style-type: none">1. Ensure all blades are screwed firmly into blade arms.2. Ensure all blade arms are tightened securely to motor.3. Ensure canopy and mounting bracket are tightened securely to outlet box and outlet box is mounted firmly to ceiling joist.4. Switch one blade with a blade from the opposite side. Or balance the fan using a balancing kit.5. If blade wobble is still noticeable, interchanging two adjacent (side by side) blades can redistribute the weight and possibly result in smoother operation.
5. Weak airflow:	<ol style="list-style-type: none">1. Make sure the reverse switch is in the left position.2. Change to higher fan speed by pulling the fan pull chain.

LIMITED LIFETIME WARRANTY

To obtain Service, please contact the Service Department:
1-877-706-3267, 9 a.m.- 5 p.m. central time.

Model Name: 56" Ceiling Fan

Model No: 50330 - Brushed Nickel

Subject to the limitations set forth below, Hong Kong China Electric appliance Company (HKC) warrants the fan motor for this ceiling fan to be free from defects in workmanship and material for the life of the product. Also, subject to the limitations below, HKC warrants all ceiling fan parts ("ceiling fan parts" excludes the motor and parts made in whole or in part with glass) to be free from defects in workmanship and material for a period of one year after the date of purchase by the original purchaser at retail.

All claims must be made by the original purchaser, whether such purchaser purchased the product through a store or contractor. Ceiling fan part defects must be reported within the first year from the date of purchase. Parts made in whole or in part with glass and the finishes of metal and other surfaces are not warranted.

Purchasers are responsible for all costs of removing and reinstalling the product. Any damage to any part caused by ordinary wear and tear, accident, misuse, or improper installation, is not covered by this warranty. HKC assumes no responsibility whatsoever for fan installation. Any service performed by a non-licensed electrician will render the warranty invalid.

HKC's sole responsibility shall be to repair or replace the motor, parts, or product within the terms stated above. HKC shall not be liable for any loss or damage of any kind, including any incidental or consequential damages resulting directly or indirectly, from any breach of warranty, express or implied, or any other failure of this product. Some states do not allow the exclusion or limitation of incidental or consequential damages so this limitation may not apply to you.

If the original purchaser ceases to own the fan, this warranty is voided.

Should the purchaser encounter a problem with your fan related to defects in workmanship or materials within the warranty period associated with the defective part, HKC agrees to replace the defective part without charge, or at its option, to replace the ceiling fan with a comparable or superior model.

HKC's warranties are limited to the written warranties set out in this HKC ceiling fan limited lifetime warranty. All other express and implied warranties, including, without limitation, the implied warranty of fitness for a particular purpose and the implied warranty of merchantability are disclaimed. Some states do not allow the disclaimer of implied warranties, so this disclaimer may not apply to you.

To obtain warranty service, please write down your model number and call Customer Service at 1-877-706-3267. Please have a copy of the receipt as proof of purchase.