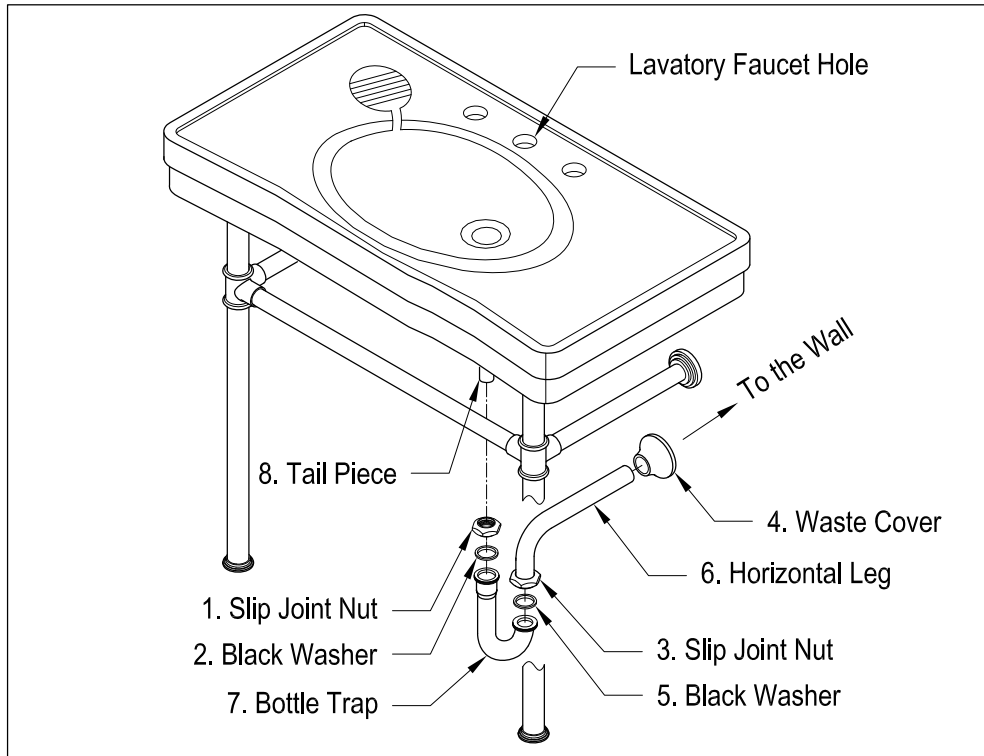


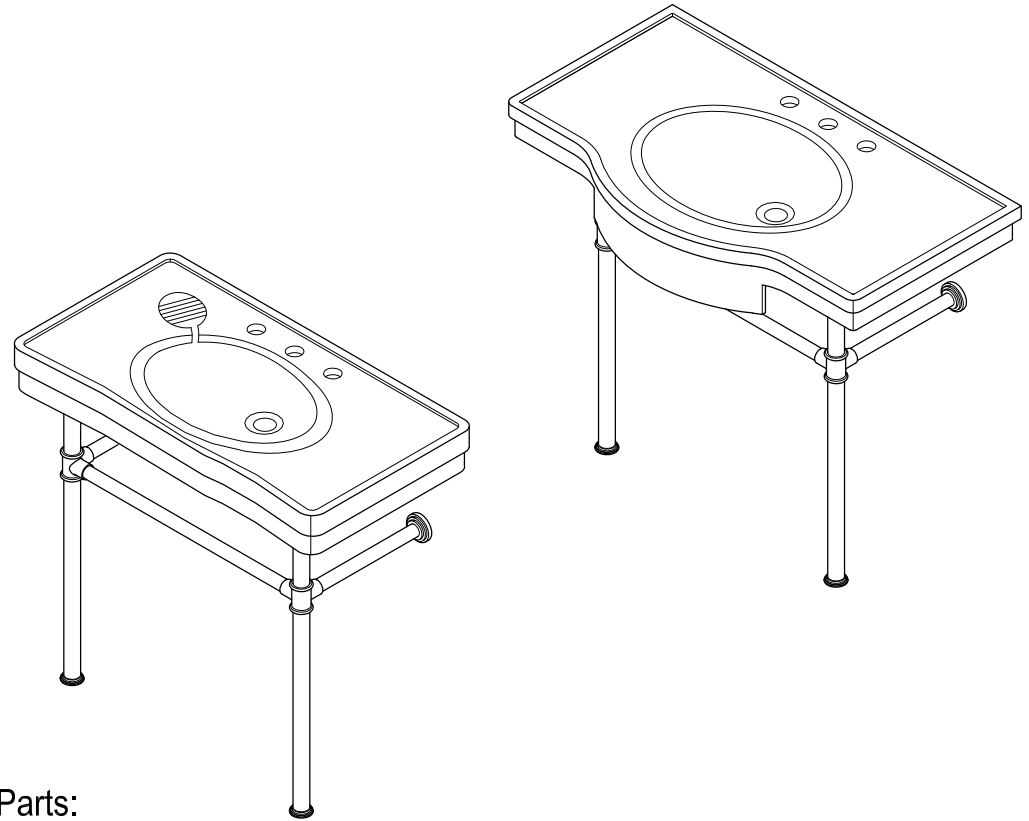
## P-Trap Installation:



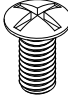


1. Remove horizontal leg and slip joint nut from bottle trap.
2. Apply Teflon tape to all exposed threads.
3. Insert slip joint nut (3) and waste cover (4) onto horizontal leg (6).
4. Insert horizontal leg into wall waste opening, do not tighten.
5. Insert black washer (2) and slip joint nut (1) onto tail piece (8).
6. Attach bottle trap (7) to tail piece and hand tighten slip joint nut (1).
7. Align bottle trap with horizontal leg and tail piece, at this point it may be necessary to cut part of tail piece or part of horizontal leg to obtain proper alignment.
8. After all components have been properly aligned, insert horizontal leg making sure to insert black washer (5) before tightening slip joint nut (3).
9. Thread both slip joint nuts onto bottle trap and tighten along with slip joint securing horizontal leg to wall waste opening.
10. Check for leakage by opening faucet and letting water run for at least 45 seconds.

**Cleaning Instructions:** Wipe this whole set off with warm water and a soft cloth. Do not use soaps, cleansers, or brass cleaners as they will disintegrate the protective coating and leave the brass exposed therefore causing tarnishing.

# FAUCETURE



## Parts:

Screw	Mounting Screw	Floor Pin
		
4 Pcs	8 Pcs	2 Pcs

**CAUTION**

Failure to follow all installation directions may cause product to detach from the wall and cause serious injury

www.kingstonbrass.com  
TOLL-FREE CUSTOMER SERVICE: 1-877-2-KBRASS  
TECHNICAL SUPPORT E-mail: service@kingstonbrass.com  
12775 Reservoir Street, Chino, CA 91710

# FAUCETURE

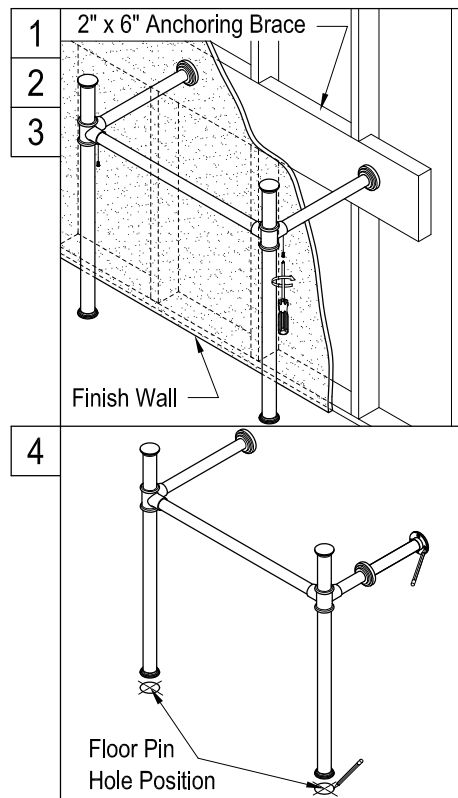
## INSTALLATION INSTRUCTIONS

### Console Sink Legs

#### Before Installation :

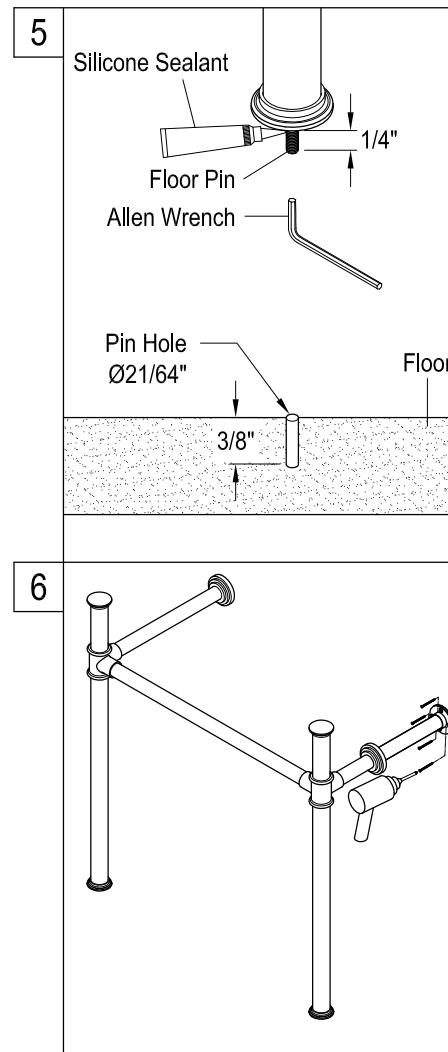
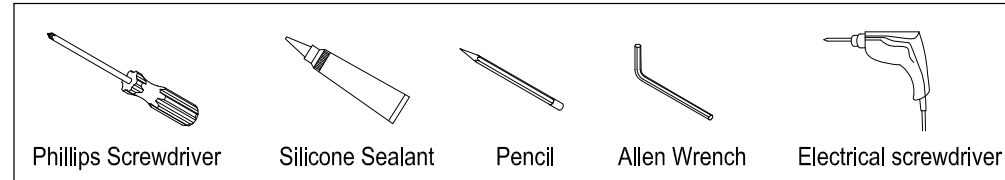
1. Before beginning the installation of your console pedestal basin, it is important to identify the type of wall where the pedestal will be installed and prepare the installation location accordingly.
2. Install an anchoring brace in the wall prior to installing the drywall, this can be a 2" x 6" piece of wood that will fit between the two studs, then install drywall and finish as usual. Due to the excessive weight of this pedestal it should not be mounted on drywall unless it is properly secured to the anchoring brace.
3. For safety concern, make sure your sink has proper wall mounting parts or brackets to fix the sink on wall.
4. For maximum weight capacity, we recommend that you can use our bracket # VSPLBRKT as shown in the last page.
5. For higher installation height (34" & 36"), we recommend that you can use our extension-leg parts # VPBL31488\* (3.5") or # VPBL51488\* (5.5").

#### Installation Step :



1. Join the two vertical leg supports by inserting the horizontal crossbar into the leg support tees, and secure by tightening screw from underneath.
2. Insert the two horizontal short arms (wall support arm) into the leg support tees, and secure by tightening screw from underneath.
3. Place the leg support assembly at the location where the console basin will be installed. Adjust to make sure the vertical legs are plumb and horizontal arms are level.
4. Use pencil to mark the locations of wall support flanges and floor pin holes. Remove the leg support assembly. If you want to fix the legs on the floor, drill pin holes  $\text{Ø}21/64"$  X  $3/8"$  deep on the floor.

#### Need Tools:



5. If you choose to fix the legs on the floor, apply silicone sealant on the threaded end of the floor pin and secure it into the bottom of legs with an Allen wrench. Make sure the floor pin protrude  $1/4"$  from the bottom surface.
6. Move and adjust the position of the leg support assembly, so the two floor pins can completely go into the drilled holes on the floor. Then secure the leg support assembly to the wall by tightening all the wood screws on the wall flanges.

# FAUCETURE

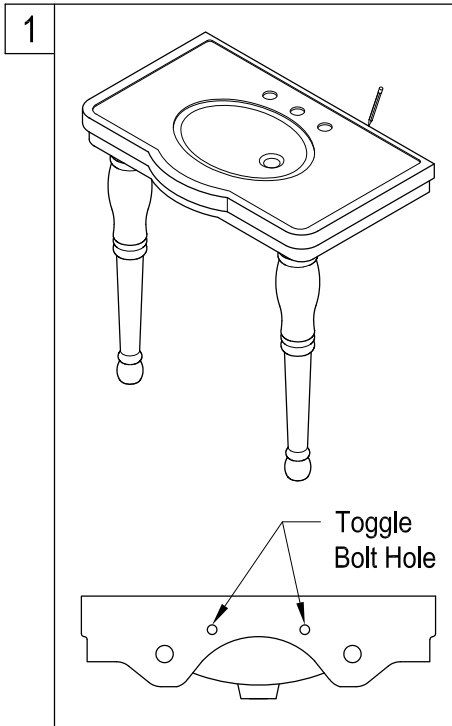
## INSTALLATION INSTRUCTIONS

### WALL MOUNT BASIN

#### Before Installation :

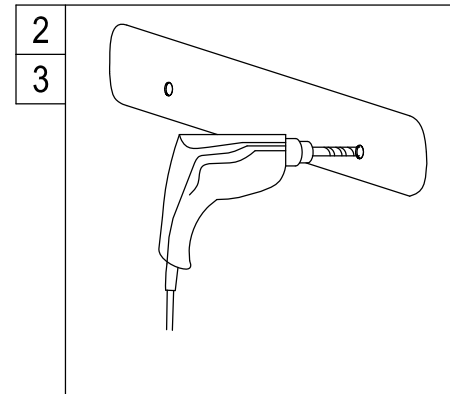
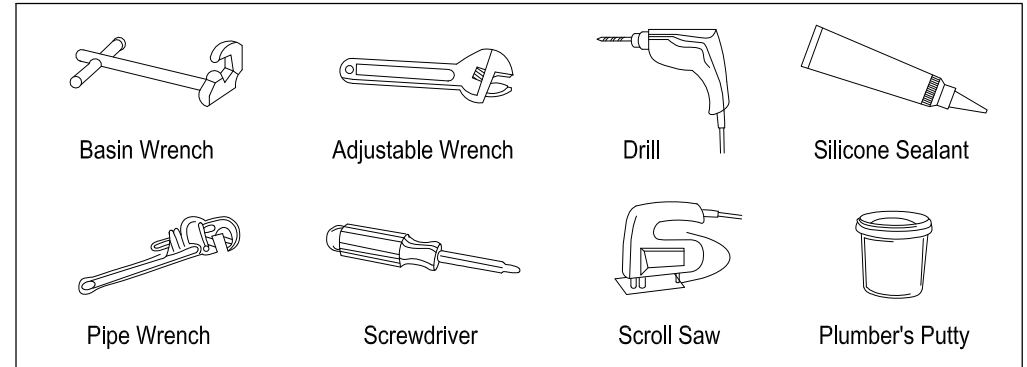
1. Before beginning the installation of your console pedestal sink, it is important to identify the type of wall where the pedestal will be installed and prepare the installation location accordingly.
2. Install an anchoring brace in the wall prior to installing the drywall, this can be a 2" x 6" piece of wood that will fit between the two studs, then install drywall and finish as usual. Due to the excessive weight of this pedestal it should not be mounted on drywall unless it is properly secured to the anchoring brace.

#### Installation Step :

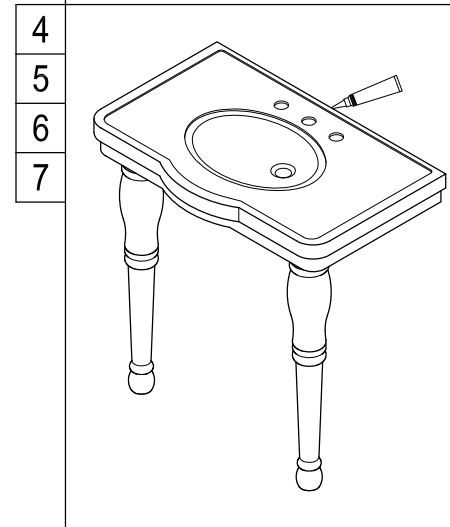


1. Gently place basin on top of pedestal legs and very carefully place in the location where the console will be installed.

#### Need Tools:



2. Mark the location of the mounting holes on the wall, also mark or measure the location of the pedestal, it is recommended that for additional safety, a piece of 1" x 4" x 23" piece of lumber be preinstalled underneath the console to provide additional support.
3. Remove pedestal, drill holes at the marked locations and install anchors.



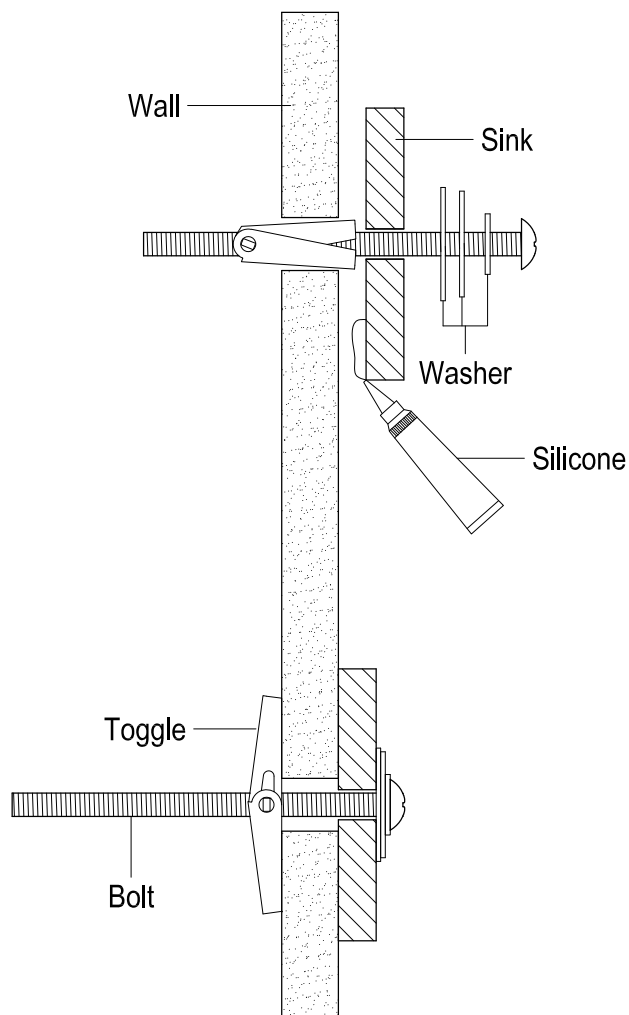
4. Install faucet and drain on console as per faucet manufacturer's instructions.
5. Apply a bead of adhesive caulking around the back perimeter of the basin as well as the top surface of the legs.
6. Place basin on top of pedestal legs and secure using the proper anchors.
7. Attach supply lines and P trap and clean any excess caulking.

# KINGSTON

KITCHEN & BATH

## Toggle Bolt Anchor Installation Instructions:

1. If you are installing on a plaster (Drywall) wall we recommend using toggle bolt anchors (included), drill a 5/8" hole at the marked location of the holes
2. Remove toggle from bolt, insert washer on the bolt and insert bolt through the basin mounting holes.
3. Thread no more than 1/2", with the tip of the toggle pointing towards the head of the bolt, apply a bead of silicone caulking around the perimeter of the back of the sink and secure the sink to the wall by inserting the toggle bolt through the holes.
4. Make sure that the bolt went far enough to allow the toggle bolt to open, thread the bolt while pulling on it, this will ensure that the toggle inside the wall will not spin, thread until the basin has been properly secured.



### **CAUTION**

Failure to follow all installation directions may cause product to detach from the wall and cause serious injury

[www.kingstonbrass.com](http://www.kingstonbrass.com)

TOLL-FREE CUSTOMER SERVICE: 1-877-2-KBRASS

TECHNICAL SUPPORT E-mail: [service@kingstonbrass.com](mailto:service@kingstonbrass.com)

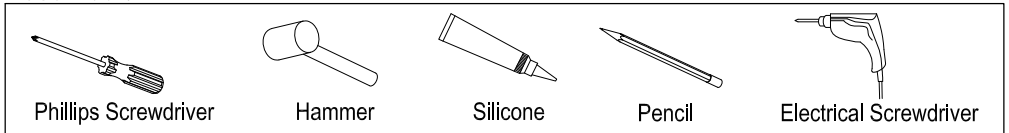
12775 Reservoir Street, Chino, CA 91710

# FAUCETURE

## INSTALLATION INSTRUCTIONS

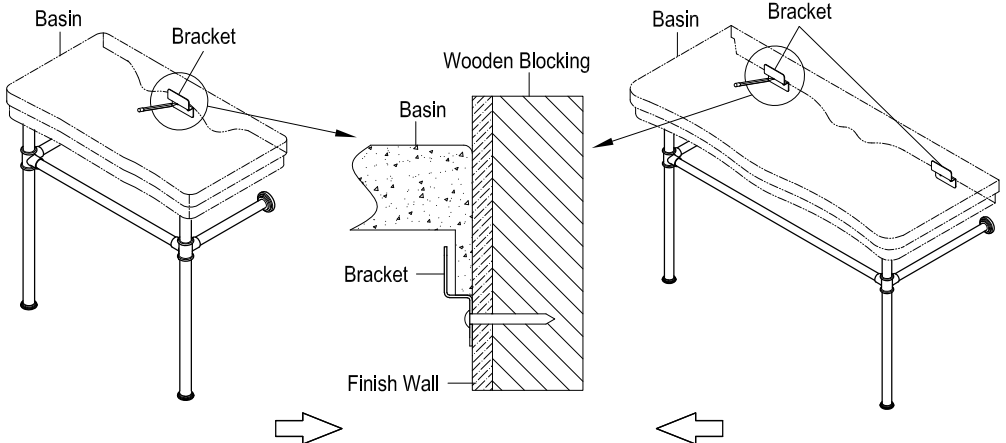
### N Shape Mounting Bracket

#### Need Tools:



#### Installation:

1. Once unit has been assembled place at the desired location.
2. Gently place basin on top of pedestal legs and very carefully place in the location where the pedestal legs will be installed and adjust the basin to be level.
3. Place the mounting bracket beneath the straight edge in the middle of basin's back, mark the position of screw holes with pencil (you may need to install two mounting brackets if the edge in the middle is not straight or the basin's length is bigger than 38" ).
4. Use the appropriate anchors on places where the bracket is not secured to wood.
5. Fix the bracket onto the wall by tightening up wood screws with a screwdriver.
6. Place basin on top of pedestal legs, apply a bead of silicon around the back perimeter of the basin.



**CAUTION**

Failure to follow all installation directions may cause product to detach from the wall and cause serious injury

www.kingstonbrass.com  
TOLL-FREE CUSTOMER SERVICE: 1-877-2-KBRASS  
TECHNICAL SUPPORT E-mail: service@kingstonbrass.com  
12775 Reservoir Street, Chino, CA 91710