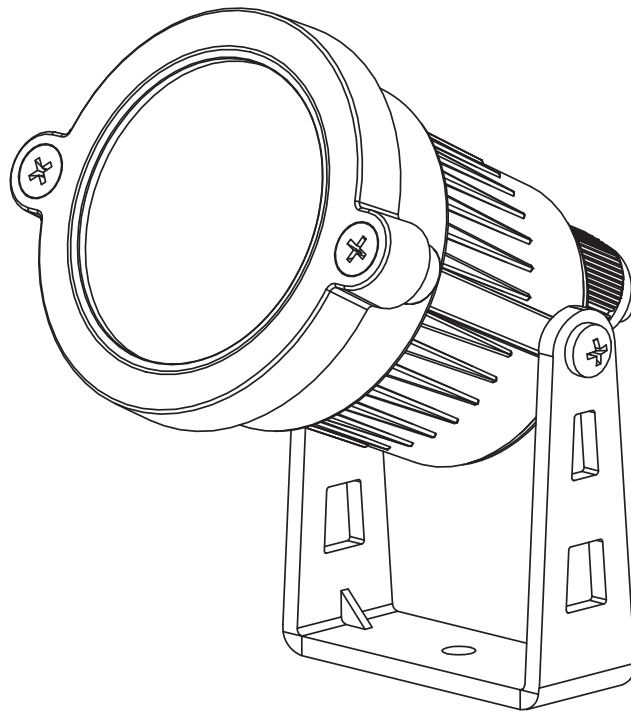


# COLOR-CHANGING SMART SPOT LIGHTS

---

## IMPORTANT SAFETY INSTRUCTIONS AND INSTALLATION GUIDE



**READ BEFORE INSTALLATION**  
**SAVE THESE INSTRUCTIONS**



# Table of Contents

Safety Information .....	2
FCC Statement .....	2
Warranty .....	2
Pre-Assembly .....	3
Product Dimensions .....	3
Mounting with Ground Stake .....	4
Power Supply Control Box .....	5
Troubleshooting Tips - Wi-Fi .....	5
Smart Setup Instruction .....	6

## Safety Information

For your safety, always remember to:

- ❑ All safety and operating instructions in this manual must be followed before using this product.
- ❑ These products may represent a possible shock or fire hazard if improperly installed or attached in any way. Products should be installed in accordance with this install guide, current electrical codes and/or the current National Electric Code (NEC).
- ❑ Ground Fault Circuit Interrupter (GFCI) protection is to be provided on the circuit(s) or for the wet location portable luminaire. Receptacles are available having built-in GFCI protection and are able to be used for this measure of safety.
- ❑ Use only with an extension cord for outdoor use, such as an extension cord of cord type SEW, SEOW, SE00W, SOW, SO0W, STW, STOW, STO0W, SJEW, SJE0W, SJE00W, SJW, SJOW, SJO0W, SJTW, SJTOW, or SJTO0W.
- ❑ To disconnect, turn off the unit, then remove the plug from the outlet.
- ❑ Do not turn off by pulling on the cord.
- ❑ To reduce the risk of fire, keep away from combustible materials while in operation.
- ❑ To reduce the risk of injury, close supervision is necessary when this product is used near children.

Operating Temperature: -4°F to 113°F (-20°C to 45°C)

### Product Specifications:

- 120 VAC, 60 Hz, 9 Watts
- Dimmable with APP
- Suitable for Wet Locations
- IP65 Water Resistant



**WARNING: RISK OF SHOCK.** When using outdoor use portable luminaires, basic safety precautions should always be followed to reduce the risk of fire, electric shock, and personal injury.



**WARNING:** Do not use an extension cord near water or in areas where water may accumulate. Keep away from pools or spas. Keep plugs dry.

The performance specifications (life hours) printed on this manual should only be considered an approximation of expected performance.

## FCC STATEMENT

Supplier's Declaration of Conformity:  
47 CFR § 2.1077 Compliance Information  
Responsible Party: Feit Electric Company  
4901 Gregg Road, Pico Rivera, CA 90660, USA  
www.feit.com  
Unique Identifier: SPOT/RGBW/AG/2

This device complies with part 15 of the FCC Rules. Operation is subject to the following two conditions: (1) This device may not cause harmful interference, and (2) this device must accept any interference received, including interference that may cause undesired operation. Note: This equipment has been tested and found to comply with the limits for a Class B digital device, pursuant to part 15 of the FCC Rules. These limits are designed to provide reasonable protection against harmful interference in a residential installation. This equipment generates, uses and can radiate radio frequency energy and, if not installed and used in accordance with the instructions, may cause harmful interference to radio communications. However, there is no guarantee that interference will not occur in a particular installation. If this equipment does cause harmful interference to radio or television reception, which can be determined by turning the equipment off and on, the user is encouraged to try to correct the interference by one or more of the following measures: Reorient or relocate the receiving antenna. Increase the separation between the equipment and receiver. Connect the equipment into an outlet on a circuit different from that to which the receiver is connected. Consult the dealer or an experienced radio/TV technician for help. Any changes or modifications not expressly approved by the manufacturer could void the user's authority to operate the equipment.

### Radiation Exposure Statement

This device complies with FCC radiation exposure limits set forth for an uncontrolled environment. This device should be installed and operated with a minimum distance of 20cm between the radiator and your body.

## Limited Warranty

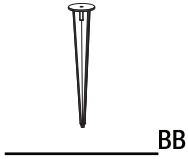
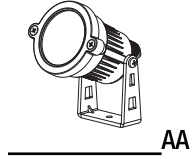
This product is warranted to be free from defects in workmanship and materials for up to 1 year from date of purchase. If the product fails within the warranty period, please visit [feit.com/help](http://feit.com/help) for instructions on replacement/refund or call 866.326.BULB. REPLACEMENT OR REFUND IS YOUR SOLE REMEDY. EXCEPT TO THE EXTENT PROHIBITED BY APPLICABLE LAW, ANY IMPLIED WARRANTIES ARE LIMITED IN DURATION TO THE DURATION OF THIS WARRANTY. LIABILITY FOR INCIDENTAL OR CONSEQUENTIAL DAMAGES IS HEREBY EXPRESSLY EXCLUDED. Some states and provinces do not allow the exclusion of incidental or consequential damages, so the above limitation or exclusion may not apply to you. This warranty gives you specific legal rights, and you may also have other rights which vary from state to state or province to province.

# Pre-Assembly

## TOOLS REQUIRED (NOT INCLUDED)



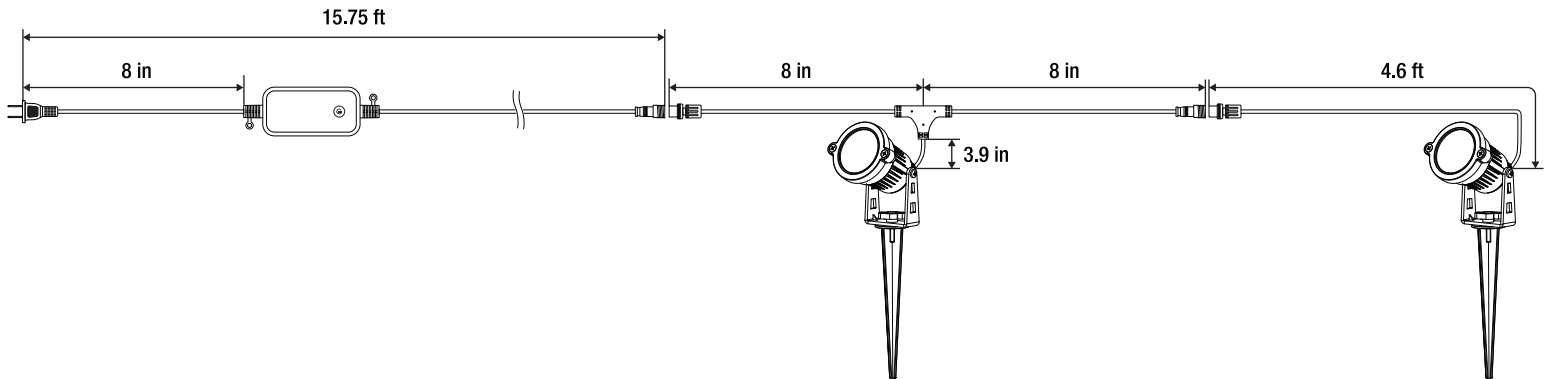
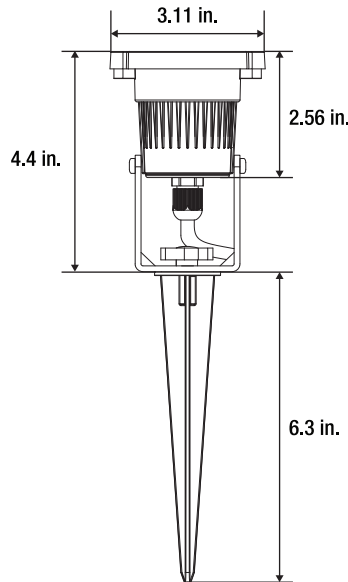
## HARDWARE INCLUDED



NOTE: Hardware not shown to actual size.

Part	Description	Quantity
AA	Color-Changing Smart Spot Light	2
BB	Mounting Stake	2
CC	Wing Screw	2


## Product Dimensions



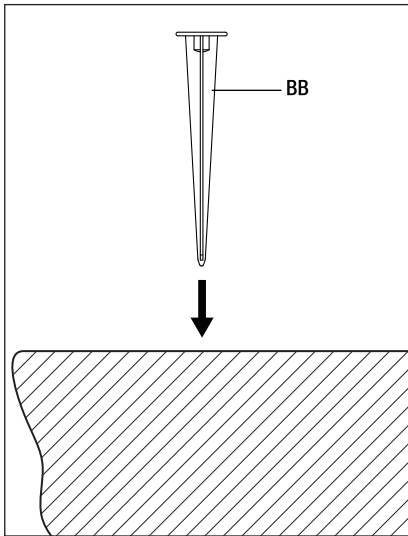
# Mounting with Ground Stake

## 1 Insert Ground Stake and Spot Light

Remove the wing screw (CC) and save from each ground stake (BB). Plant the ground stake (BB) to a desired location by using a rubber mallet.

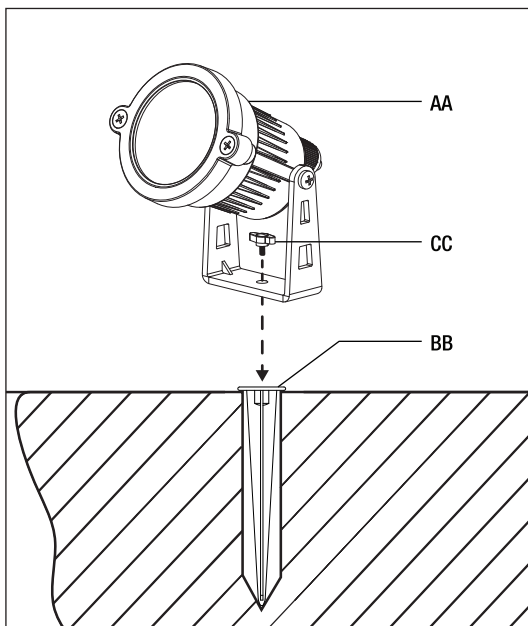
 **NOTE:** When installing the product in hard or dry soil, water the soil several hours beforehand to make the installation easier. You can also break up the ground with a stake or a fork. Don't force the stake into the ground as excess force can break or bend the stake.

 **NOTE:** Each Spot Light can be spaced 5 feet apart.



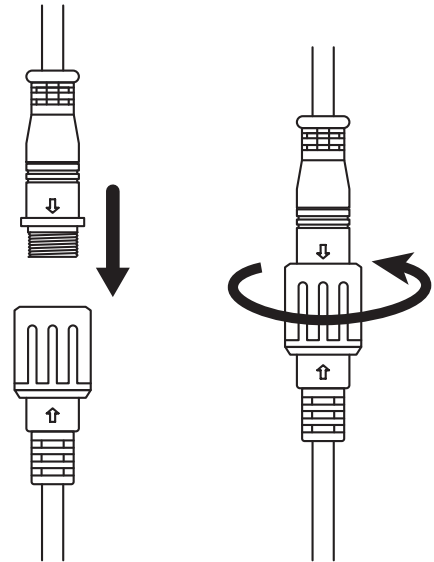
## 2 Attach the Smart LED Spot Light to Mounting Ground Stake

Install the spotlight (AA) onto the ground stake (BB) by securing with a wing screw (CC).



## 3 Attach Connectors

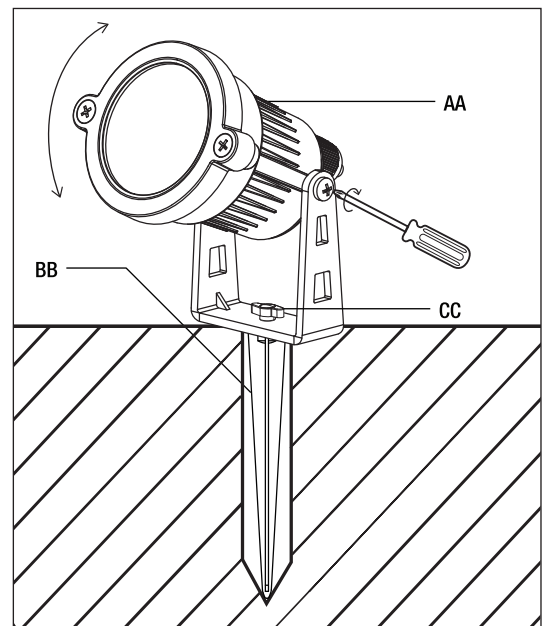
Attach male connector to female together by aligning the marked arrow from both connectors and push together. Once attached rotate the sleeve clockwise until fully secured.

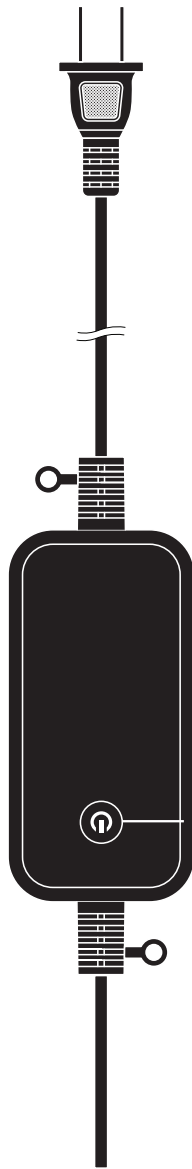


**CAUTION:** MAXIMUM OF 2 SPOTLIGHTS CAN BE CONNECTED WITH ONE POWER SUPPLY CONTROL BOX.

## 4 Adjust the Smart LED Spot Light Angle

Slightly loosen the set screws on the side of the bracket and adjust to desired direction. Once angle has been established tighten the set screws.





6 modes:

1. Warm White
2. Cool White
3. Deluxe Bright White
4. Red
5. Green
6. Blue

Press power button once to turn on or turn off.

Press rapidly twice to cycle through 6 different color modes.

To enter pairing mode or reset, press and hold the button for 5 seconds, the lights will cycle through red, blue, green, and then continuously pulse white to indicate actively in pairing mode. It will stop pulsing when it is paired.

## Troubleshooting Tips - Wi-Fi

If you are having difficulty connecting:

- Make sure the Wi-Fi network is a 2.4 GHz network. Smart LED Spot lights will not connect to a 5 GHz network.
- Test your Wi-Fi network with other devices such as your phone to make sure it is operating properly.
- The Wi-Fi connection may not have good coverage during set up. Try moving the smart LED Spot lights closer to your Wi-Fi router.
- Your Wi-Fi network password is case sensitive, make sure you are entering correctly. Devices plugged into your smart LED Spot Lights must be ON in order to be controlled via the mobile app.

Please also check the App User Guide for more information.

For additional remote controls please contact Feit Electric at [www.feit.com](http://www.feit.com)

# Getting Started:

## 1 Download the Feit Electric App on Your Smart Device

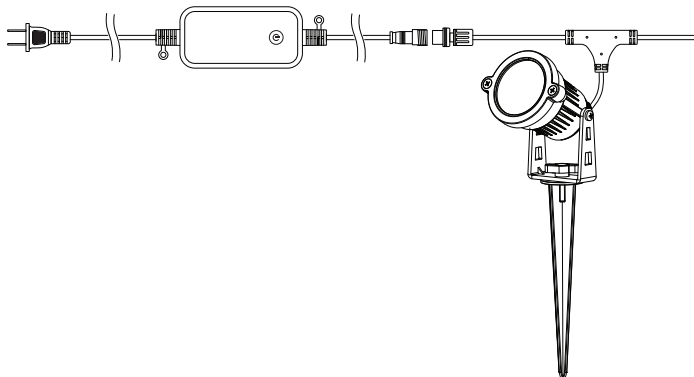


## 2 Install Your Smart LED Spot Lights

See "Installation" Section on page 4.

## 3 Plug in Your Smart LED Spot Lights

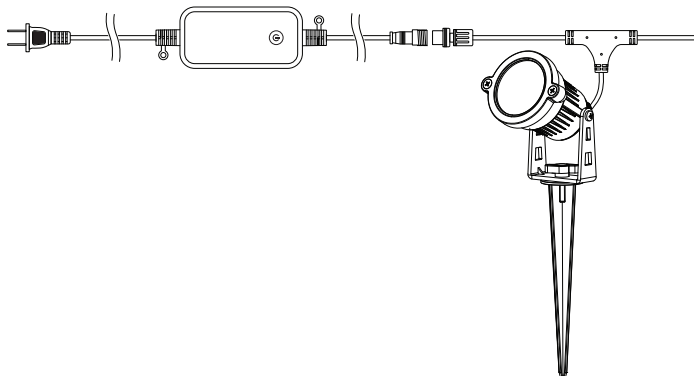
Plug the smart LED Spot Lights into an outdoor rated GFCI receptacle.



To activate smart features proceed to steps 4 & 5.

## 4 Pair Your Device

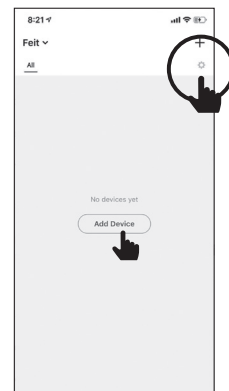
Press and hold the control button for 5 seconds when lights are on to enter pairing mode. Lights will cycle through red, blue, green, and then continuously pulse white.



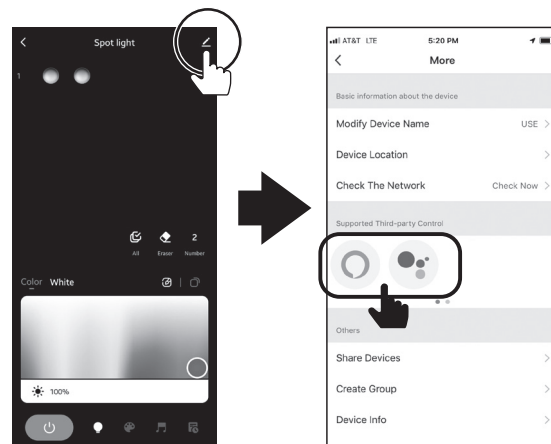
## 5 Launch the Feit Electric App to Complete the Set Up

Tap Add Device or the + sign, then select Spot Light and confirm. You will be prompted to enter your Wi-Fi network and password.

**NOTE:** Be sure to connect to a 2.4 GHz Wi-Fi network that covers your installation location.



## (Optional) Connect to Google Assistant or Alexa Using the In-App Guide



Tap Pen icon

Choose Alexa or Google

## Need Help?

Thank you for your purchase  
Questions, comments or feedback?  
We'd love to hear from you.  
Visit [feit.com/help](http://feit.com/help) for support or connect with us:



@FeitElectric



@FeitElectricInc



feitelectriclighting