

CONVERSION TABLES



Foot Pounds (ft.lbs)	Kilo-gram Meters (Kgm or mkp)	Newton Meters (Nm)	Newton Meters (Nm)	Foot Pounds (ft.lbs)	Kilo-gram Meters (Kgm or mkp)	Kilo-gram Meters (Kgm or mkp)	Newton Meters (Nm)	Foot Pounds (ft.lbs)
5	0.69	6.78	10	7.38	1.02	1	9.81	7.23
10	1.38	13.56	20	14.75	2.04	2	19.61	14.47
15	2.07	20.34	30	22.13	3.06	3	29.42	21.70
20	2.76	27.12	40	29.50	4.08	4	39.23	28.93
25	3.46	33.90	50	36.88	5.10	5	49.04	36.17
30	4.15	40.68	60	44.26	6.12	6	58.54	43.40
35	4.84	47.46	70	51.63	7.14	7	68.65	50.63
40	5.53	54.24	80	59.01	8.16	8	78.46	57.87
45	6.22	61.02	90	66.38	9.18	9	88.26	65.10
50	6.91	67.80	100	73.76	10.20	10	98.07	72.33
55	7.60	74.58	110	81.14	11.22	11	107.88	79.57
60	8.29	81.36	120	88.51	12.24	12	117.68	86.80
65	8.98	88.14	130	95.89	13.26	13	127.49	94.03
70	9.67	94.92	140	103.26	14.28	14	137.30	101.27
75	10.37	101.70	150	110.64	15.30	15	147.11	108.50
80	11.06	108.48	160	118.02	16.32	16	156.91	115.74
85	11.75	115.26	170	125.39	17.34	17	166.72	122.97
90	12.44	122.04	180	132.77	18.36	18	176.53	130.20
95	13.13	128.82	190	140.14	19.38	19	186.33	137.43
100	13.82	135.60	200	147.52	20.40	20	196.14	144.67
105	14.51	142.38	210	154.90	21.42	21	205.95	151.90
110	15.20	149.16	220	162.27	22.44	22	215.75	159.13
115	15.89	155.94	230	169.65	23.46	23	225.57	166.37
120	16.58	162.72	240	177.02	24.48	24	235.37	173.60
125	17.28	169.50	250	184.40	25.50	25	245.18	180.84
130	17.97	176.28	260	191.78	26.52	26	254.98	188.08
135	18.66	183.06	270	199.15	27.54	27	264.79	195.30
140	19.35	189.84	280	206.53	28.56	28	274.60	202.54
145	20.04	196.62	290	213.91	29.58	29	284.41	209.77
150	20.73	203.40	300	221.29	30.60	30	294.22	217.00
155	21.42	210.18	310	228.67	31.62	31	304.03	224.23
160	22.11	216.96	320	236.05	32.64	32	313.84	231.46
165	22.80	223.74	330	243.43	33.66	33	323.65	238.69
170	23.49	230.52	340	250.81	34.68	34	333.46	245.92
175	24.19	237.30	350	258.20	35.70	35	343.27	253.15
180	24.88	244.08	360	265.58	36.72	36	353.08	260.38
185	25.57	250.86	370	273.06	37.74	37	362.89	267.61
190	26.26	257.64	380	280.44	38.76	38	372.70	274.84
195	26.95	264.42	390	287.82	39.78	39	382.51	282.07
200	27.64	271.20	400	295.20	40.80	40	392.32	289.30
205	28.33	277.98	410	302.58	41.82	41	402.13	296.53
210	29.02	284.76						
215	29.71	291.54						
220	30.40	298.32						
225	31.09	305.10						
230	31.78	311.88						
235	32.47	318.66						
240	33.16	325.44						
245	33.85	332.22						
250	34.54	339.00						
260	35.88	352.56						
270	37.22	366.12						
280	38.56	379.68						
290	39.90	393.24						
300	41.24	406.80						

CONVERSION FORMULAS

1 CMKG = 13.883 IN-OZ	1 dNm = 14.161 IN-OZ
1 CMKG = 0.8677 IN-LB	1 Nm = 8.8507 IN-LB
1 MKG = 7.233 FT-LB	1 Nm = 0.73756 FT-LB
1 CMKG = 1 CMKG	1 KpM = 1 MKG
1 CMKG = 0.098 Nm	1 MKG = 9.80665 Nm

Purchased at: _____

Date: _____

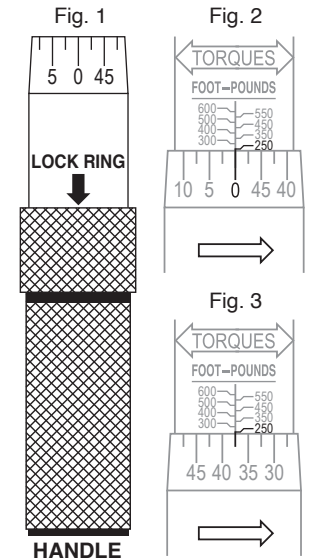
ADJUSTMENT OF TORQUE SETTING

READ, UNDERSTAND AND FOLLOW ALL INSTRUCTIONS AND WARNINGS BEFORE OPERATING THIS TOOL. FAILURE TO DO SO MAY RESULT IN PERSONAL INJURY AND/OR PROPERTY DAMAGE AND WILL VOID WARRANTY.



HOW TO USE YOUR NEW TORQUE WRENCH

- Balancing wrench in hand, with graduations visible, unlock handle by pulling down and holding the lock ring, located just above the knurled handle. (see fig. 1)
- Set torque by holding back the lock ring and turning handle to read the amount closest to your desired graduation. (Scale reads in 2.5 ft.lb. graduations) Example: 286 ft. lbs. would be set to 287.5, so the lock ring will snap into the locked position.
 - Hold back lock ring and turn handle clockwise until the 0 ft. lbs. graduation on the upper part of the handle is lined up with the vertical mark on the lower shaft of the wrench and is even with the 250 ft. lbs. graduations. (see fig. 2)
 - Continue turning, until the vertical line on the shaft is lined up with the vertical mark between the 35 and 40 on the handle.
 - Lock handle securely by releasing the lock ring, it should snap back into the locked position. Wrench is now set at 287.5 ft. lbs. and is ready to use. (250 on the shaft + 35 + the next mark on the shaft 2.5 = 287.5ft lbs. (see fig. 3)
- When setting for metric (Nm), use the same procedures as setting for ft. lbs. using the Nm measurements on the opposite side of the shaft.
- Install the proper socket or attachment to the square drive and apply to nut or bolt and pull handle until you feel and/or here wrench click. Release, pull off and wrench automatically resets for the next operation.



SAFETY GUIDELINES, WARNINGS AND PRECAUTIONS

DO NOT USE AS A BREAKER BAR, OR ANY OTHER PURPOSE IT'S NOT DESIGNED FOR
CAUTION: DO NOT CONTINUE TO PULL AFTER WRENCH RELEASES. USE SPECIAL CARE AT LOW TORQUE SETTINGS THAT PULL STOPS WHEN WRENCH CLICKS.

- If wrench has not been used or has been in storage for some time, operate it several times at a low torque setting which permits special internal lubricants to recoat internal working parts

NOTE: When wrench is not in use, keep adjustment at lowest torque setting. By doing so, you release the internal spring tension providing a longer tool life, and retained accuracy. Never turn wrench below its lowest setting, this may cause damage or inaccurate torque settings.

- Do not continue pulling on the wrench after pre-set torque has been reached and the wrench has released. Pressure must be taken off the handle and the wrench allowed to automatically reset itself. Continuing to apply pressure after the wrench has released, will result in damage to the part being torqued by applying more than the specified amount of torque.
- Never apply more torque than the maximum scale reading. Damage to the wrench could occur.
- Tool is rugged and designed for shop use, but is also a precision measuring instrument and should be treated as such. Store it in a cool dry place, keep away from extreme temperatures.
- Clean wrench by wiping with a cloth. Do not immerse in any type of cleaner which may affect special high pressure lube with which the wrench is packed at the factory.
- The ratchet head assembly can be lubricated as needed with a light grease. The ratchet assembly is also replaceable, contact your retailer or call customer service at 425-970-6970
- This torque wrench was calibrated and tested before leaving the factory and is accurate to ± 4%.

THIS IS A PRECISION MEASURING INSTRUMENT, CALIBRATION AND SERVICING MUST BE DONE BY A PROFESSIONAL SERVICE CENTER AND IS THE OWNERS RESPONSIBILITY. RECOMMENDED SERVICE EVERY 5,000 CYCLES, OR EVERY 12 MONTHS, WHICH EVER COMES FIRST.