

FLEXSTEEL®

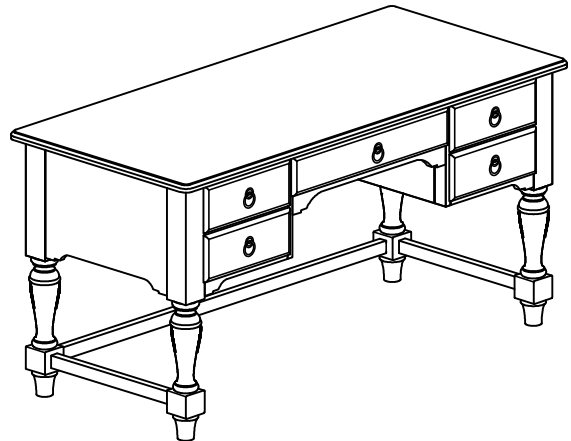
W1347-730

Writing Desk

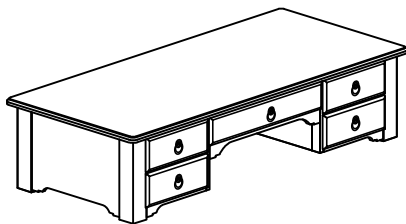
IMPORTANT NOTE

Carefully remove all the parts from the carton and put them individually on a soft cloth to prevent damage to the parts.

We have taken great care in the design of this product and request that you carefully and strictly follow our assembly instructions to ensure a completed product as it was designed.



Part List



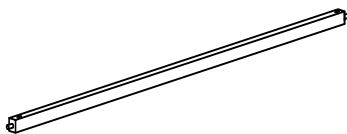
A. Top Section
1 piece



B. Leg
4 pieces



C. Foot
4 pieces



D. Back Stretcher
1 piece



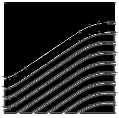
E. Side Stretcher
2 pieces

Hardware List



Screw
2 pieces

Tool(s) recommended for assembly: Level and Screwdriver

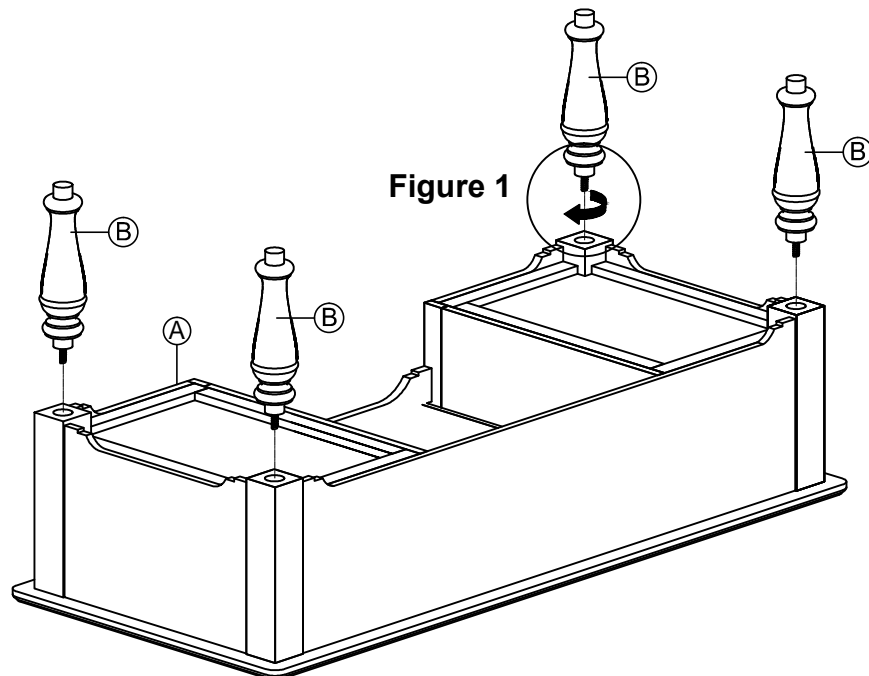


IMPORTANT

- Two people are required to safely assemble this furniture.
- Do not tighten up all the screws until each part is properly assembled.
- Use a soft cloth between these parts and the floor.

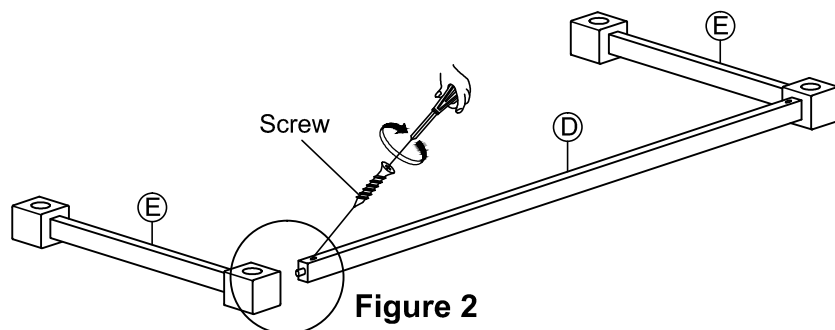
STEP 1

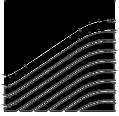
Place the Top Section (A) upside down on a soft surface and screw in the Legs (B). (See Figure 1.)



STEP 2

Connect the Back Stretcher (D) to the Side Stretcher (E) and secure using the screws provided. (See Figure 2.)





STEP 3

Attach the assembled base frame to Legs (B), then screw Feet (C) into the base frame. (See Figure 3.)

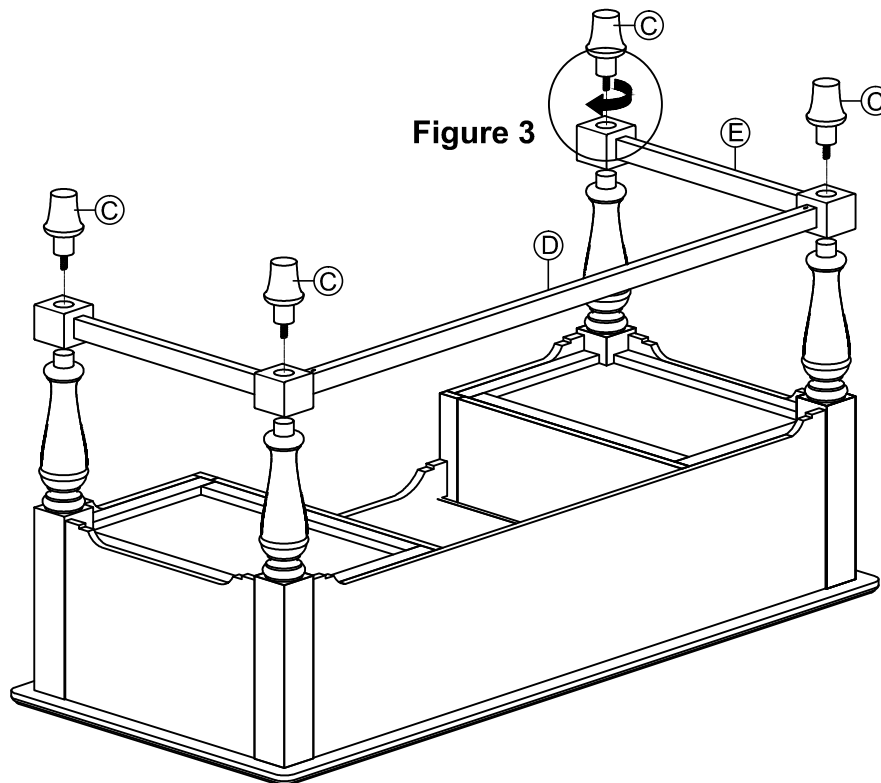


Figure 3

STEP 4

Carefully position the desk in an upright position. Adjust the levelers on the legs until the furniture is level. (See Figure 4.)

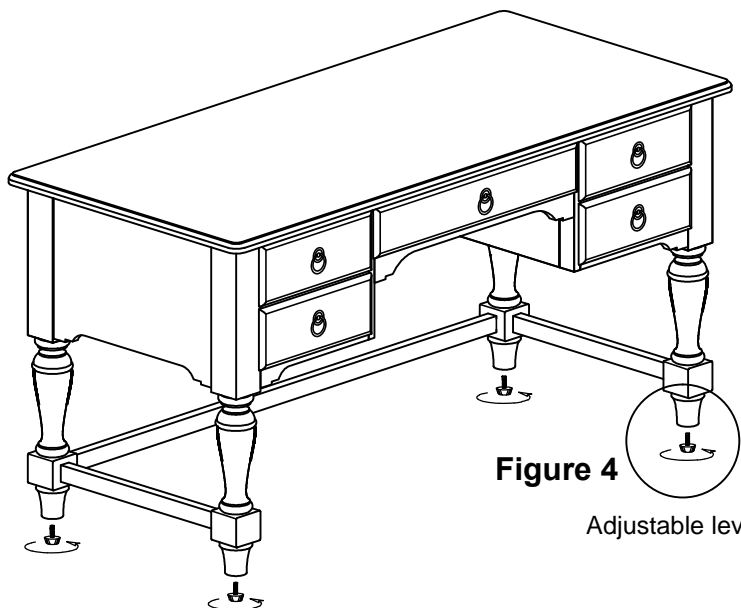


Figure 4

Adjustable levelers