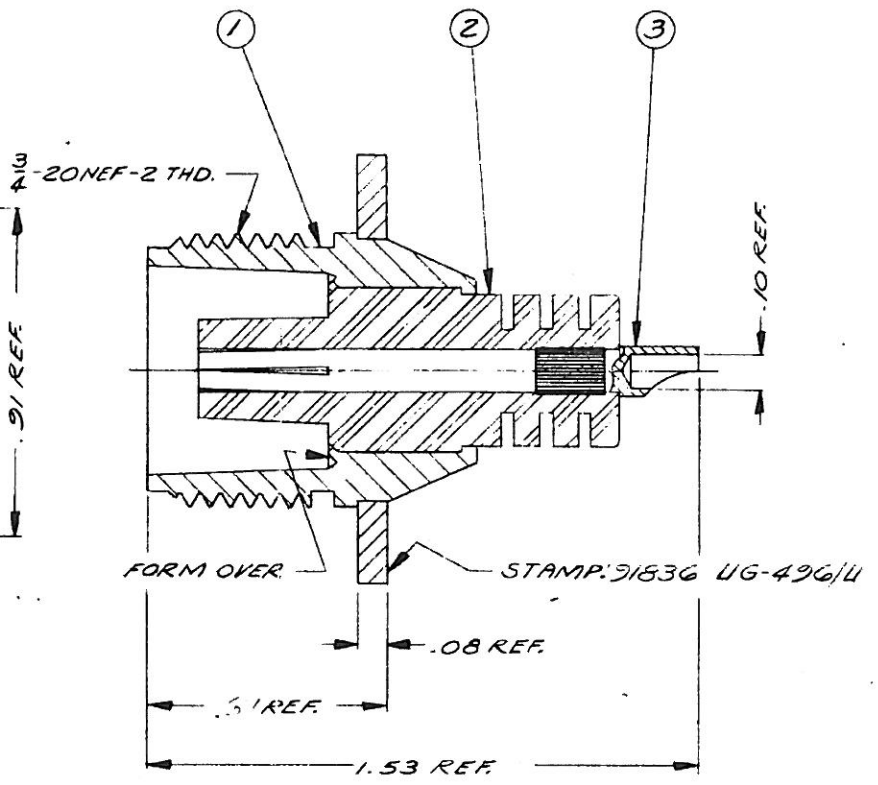
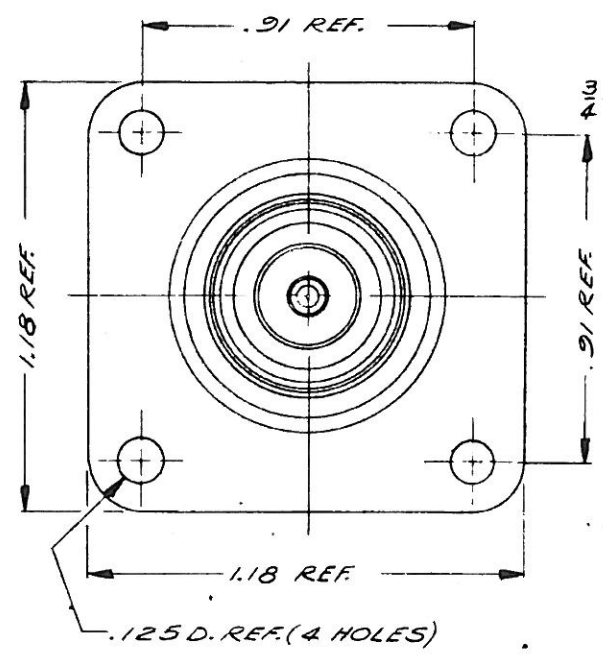


SD

UG-496/U



REVISIONS	
ISSUE	CHANGES
4	CN 10781A CC 8 FEB 72
5	CN 18379 E GA 30 MAY 78

SD

KH-71-01

REF: REB 49219 REV A
FINISH:
SPEC. KER-10004
MATL.
SPEC:

"HN" RECEPTACLE
DRAWN CC DATE 8 FEB 72
APPD JC DATE 2-8-72

KINGS ELECTRONICS
40 HARBURDALE ROAD
TUCKAHOE, N. Y. 10707
UG-496/U

ITEM	REQ'D	DESCRIPTION	DRAWING NO.
3	1	CONTACT	
2	1	INSULATOR	
1	1	BODY ASSEMBLY	

UNLESS OTHERWISE SPECIFIED:
 1. TOLERANCES: FRACTIONS & 2 PLACE DECIMALS ± .010
 3 PLACE DECIMALS ± .004
 T. I. R. CONCENTRICITY OF ANY 2 DIAMETERS MAY NOT EXCEED HALF THE SUM OF THEIR TOLERANCES.
 2. REMOVE ALL BURRS, BREAK SHARP EDGES .005 MAX.
 3. NO FILLETS PERMITTED.
 4. SURFACE ROUGHNESS 63 MICROINCHES RMS MAX.
 5. ALL DIMENSIONS PRIOR TO PLATING.