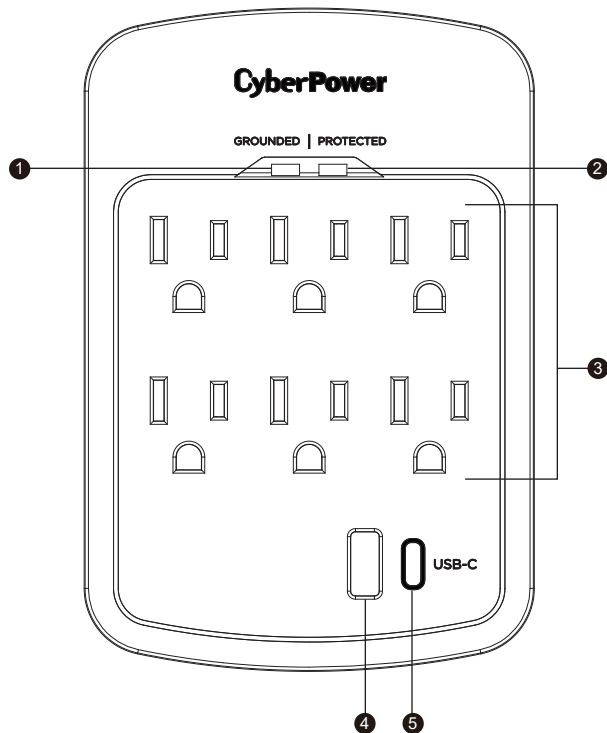


6-OUTLET SURGE PROTECTOR with 2 USB PORTS

P6WUC15



FEATURES

1. Grounded LED Indicator

Illuminated when the ground protection feature is working properly.

2. Protected LED Indicator

Illuminated when the surge protector is properly grounded.

3. Standard Grounded Outlets (6)

4. USB-A Charging Port (1)

5. USB-C Charging Port (1)

SPECIFICATIONS

Model Number:	P6WUC15
Outlets:	Standard Grounded Outlets (6)
Surge Protection:	1800 Joules
USB-A Charging Port (1):	5V/2.4A
USB-C Charging Port (1):	5V/3A
USB Total Output:	18W
Electrical Rating:	125V/15A/1875W
UL Clamping Voltage:	UL1449 4th/800V(L-N, L-G, N-G)
Maximum Peak Current:	45,000 A
3 AC Lines Protected:	L-N: 15,000 A; L-G: 15,000 A; N-G: 15,000 A
Response Time:	Less than 1 nanosecond

⚠WARNING: This product can expose you to chemicals including vinyl chloride and bisphenol A (BPA), which is known to the State of California to cause cancer and birth defects or other reproductive harm. For more information go to www.P65Warnings.ca.gov.

CAUTION

TO REDUCE THE RISK OF ELECTRIC SHOCK:

Use only in dry locations and only indoors.

DO NOT plug into another relocatable power tap.

DO NOT "daisy chain" surge protectors.

DO NOT use with any aquarium equipment.

DO NOT use if properly grounded outlets are not available.

DO NOT install this device if there is less than 10 meters (30 feet) of wire between the electrical outlet and electrical service panel.

DO NOT use for medical or life support equipment. This device features an internal protection that will disconnect the surge protective component at the end of its useful life, but it will maintain unprotected power to the load.

TROUBLESHOOTING

If the GROUNDED indicator does not light when you plug in the surge protector, move the surge protector to a different grounded three-prong AC outlet. If the GROUNDED indicator still does not light and the surge protector appears to be working correctly, your outlets may not be properly grounded and should be repaired by a professional electrician.

If the PROTECTED indicator does not light, the surge protector's outlets are no longer protected from power surges or spikes. The surge protector may have received a power surge or spike beyond its specified limits that have overloaded the protection circuitry and rendered it inactive. The surge protector has protected your connected equipment as designed, but it will not protect against future surges and spikes. It should be replaced.

FOR MORE INFORMATION

Visit CyberPowerSystems.com for more information regarding:

- Product information and certifications
- Product warranty
- Connected equipment guarantee

TECHNICAL SUPPORT

Visit: CyberPowerSystems.com/support

Toll-Free: 1-877-297-6937

© 2025 Cyber Power Systems (USA), Inc. All rights reserved.

CyberPower and the CyberPower logo are trademarks of Cyber Power Systems, Inc., and/or affiliates, which are registered in many countries and regions. All other trademarks are the property of their respective owners.

FC CONFORMANCE APPROVALS

This device complies with Part 15 of the FCC Rules. Operation is subject to the following two conditions: (1) this device may not cause harmful interference, and (2) this device must accept any interference received, including interference that may cause undesired operation. This equipment has been tested and found to comply with the limits for a Class B digital device, pursuant to Part 15 of the FCC Rules. These limits are designed to provide reasonable protection against

harmful interference in a residential installation. This equipment generates, uses, and can radiate radio frequency energy and, if not installed and used in accordance with the instructions, may cause harmful interference to radio communications. However, there is no guarantee that interference will not occur in a particular installation. If this equipment does cause harmful interference to radio or television reception, which can be determined by turning the equipment on and off, the user is encouraged to try to correct the interference by one or more of the following measures:

- Reorient or relocate the receiving antenna.
- Increase the separation between the equipment and receiver.
- Connect the equipment into an outlet on a circuit different from that to which the receiver is connected.
- Consult the dealer or an experienced radio/TV technician for help.

WARNING: Changes or modifications not expressly approved by the party responsible for compliance could void the user's authority to operate the equipment.

Cyber Power Systems (USA), Inc.

4241 12th Avenue East, Suite 400 | Shakopee, MN 55379

CyberPowerSystems.com