

F29620E

TITAN CLIFFS SWING SET

BILT.®

Easy step-by-step 3D interactive instructions for this product can be found in BILT.®. Download today.

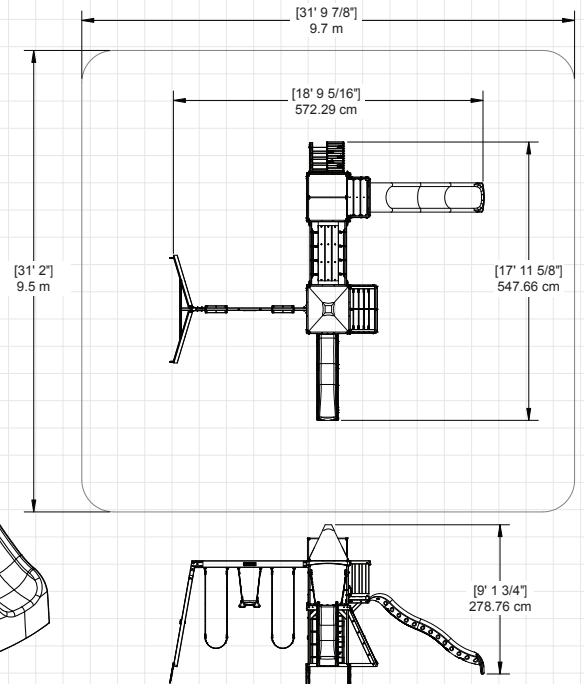
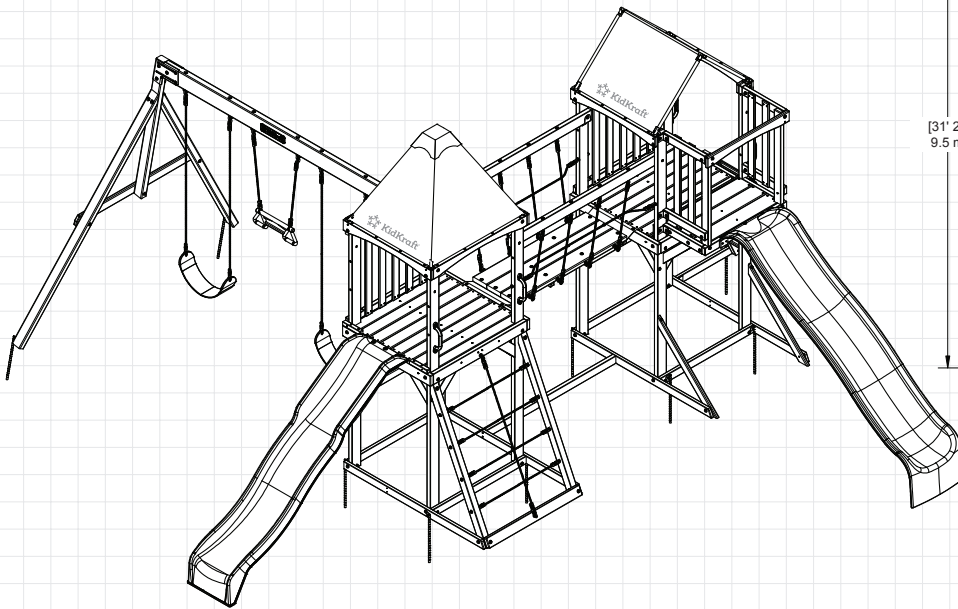


OBSTACLE FREE SAFETY ZONE - 31' 9 7/8" x 31' 2" x 15' 9" (9.7 m x 9.5 m x 4.8 m) area requires Protective Surfacing. See page 4.

MAXIMUM VERTICAL FALL HEIGHT - 9' 1 3/4" (2.78 m).

CAPACITY - 9 Users Maximum, Ages 3 to 10; Weight Limit 110 lbs. (50 kg) per child.

RESIDENTIAL HOME USE ONLY. Not intended for public areas such as multi-unit residences, schools, churches, nurseries, day cares or parks.



INSTALLATION AND OPERATING INSTRUCTIONS

FOR 24/7 ONLINE PARTS REPLACEMENT

parts.kidkraft.com

KidKraft, Inc.
4630 Olin Road
Dallas, Texas 75244
USA

customerservice@kidkraft.com

1.800.933.0771
972.385.0100

parts.kidkraft.eu

KidKraft Netherlands BV
Olympisch Stadion 8
1076 DE Amsterdam
The Netherlands

europcustomerservice@kidkraft.com

+31 20 305 8620
M-F from 09:00 to 17:30 (GMT+1)

9409620E

Rev 07/22/2022



⚠️ WARNING

To reduce the risk of serious injury or death, please read and follow these instructions. Keep and refer to instructions as needed and pass along to any future owners of this item.

Congratulations on purchasing a KidKraft product!

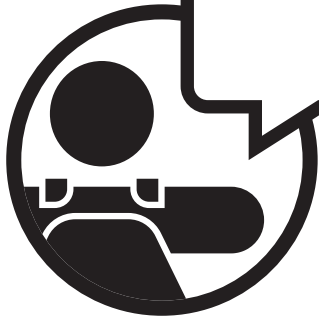
**Our items are made of high-quality,
durable Cunninghamia Lanceolata wood
from the cypress family.**

**Lumber from these trees are known for
their light weight and excellent strength.
The porosity of this wood allows the
moisture to absorb and evaporate in the
fibers, resisting rot and bugs.**

**Engineered for great play, our products
also go through extensive testing for safety.**

**Plus, our team has developed a series of
proprietary methods for a simpler, more
organized assembly. Less build time and
more play time is our motto!**

**However, during assembly if you have any
questions or concerns, please reach out.
Our Customer Service can help with missing
parts, instructions or maintenance.**



Warnings and Safe Play Instructions



CONTINUOUS ADULT SUPERVISION REQUIRED. Most serious injuries and deaths on playground equipment have occurred while children were unsupervised! Our products are designed to meet mandatory and voluntary safety standards. Complying with all warnings and recommendations in these instructions will reduce the risk of serious or fatal injury to children using this play system. Go over the warnings and safe play instructions regularly with your children and make certain that they understand and follow them. Remember on-site adult supervision is required for children of all ages.



WARNING

SERIOUS HEAD INJURY HAZARD

Installation over concrete, asphalt, dirt, grass, carpet and other hard surface creates a risk of serious injury or death from falls to the ground. Install and maintain shock absorbing material under and around play-set as recommended on page 3 of these instructions.

COLLISION HAZARD

Place play-set on level ground at least 2m from any obstruction such as a garage or house, fences, poles, trees, sidewalks, walls, landscape timbers, rocks, pavement, planters, garden borders, overhanging branches, laundry lines, and electrical wires. (See OBSTACLE FREE SAFETY ZONE on cover)

CHOKING HAZARD/SHARP EDGES & POINTS

Adult assembly required. This product contains small parts and parts with sharp edges and points. Keep parts away from children until fully assembled.

WARNING LABEL

Owners shall be responsible for maintaining the legibility of the warning labels.

STRANGULATION HAZARD

- NEVER allow children to play with ropes, clotheslines, pet leashes, cables, chains or cord-like items when using this play-set or to attach these items to play-set.
- NEVER allow children to wear loose fitting clothing, ponchos, hoods, scarves, capes, necklaces, items with draw-strings, cords or ties when using this play-set.
- NEVER allow children to wear bike or sport helmets when using this play-set.

Failure to prohibit these items, even helmets with chin straps, increases the risk of serious injury and death to children from entanglement and strangulation.

TIP OVER HAZARD

Choose a level location for the equipment. This can reduce the likelihood of the play set tipping over and loose-fill surfacing materials washing away during heavy rains.

DO NOT allow children to play on the play-set until the assembly is complete and the unit is properly anchored.

Never add extra length to chain or rope. The chains or ropes provided are the maximum length designed for the swinging element(s).



WARNING – Safe Play Instructions

- ✓ Observe capacity limitations of your play-set. See front cover.
- ✓ Dress children with well fitting and full foot enclosing footwear.
- ✓ Teach children to sit with their full weight in the center of the swing seat to prevent erratic swing motion or falling off.
- ✓ Check for splintered, broken or cracked wood; missing, loose, or sharp edged hardware. Replace, tighten and or sand smooth as required prior to playing.
- ✓ Verify that suspended climbing ropes, rope ladders, chain or cable are secured at both ends and cannot be looped back on itself as to create an entanglement hazard.
- ✓ On sunny and or hot days, check the slide and other plastic rides to assure that they are not very hot as to cause burns. Cool hot slide and rides with water and wipe dry prior to using.
- ✓ Orientate slide such that it gets the least amount of exposure to the sun.
- ✗ Do not allow children to wear open toe or heel footwear like sandals, flip-flops or clogs.
- ✗ Do not allow children to walk, in front, between, behind or close to moving rides.
- ✗ Do not let children twist swing chains or ropes or loop them over the top support bar. This may reduce the strength of the chain or rope and cause premature failure.
- ✗ Do not let children get off rides while they are in motion.
- ✗ Do not permit climbing on equipment when it is wet.
- ✗ Do not permit rough play or use of equipment in a manner for which it was not intended. Standing on or jumping from the roof, elevated platforms, swings, climbers, ladders or slide can be dangerous.
- ✗ Do not allow children to swing empty rides or seats.
- ✗ Do not allow children to go down slide head first or run up slide.



Protective Surfacing - Reducing Risk of Serious Head Injury From Falls

One of the most important things you can do to reduce the likelihood of serious head injuries is to install shock-absorbing protective surfacing under and around your play equipment. The protective surfacing should be applied to a depth that is suitable for the equipment height in accordance with ASTM F1292. There are different types of surfacing to choose from; whichever product you select, follow these guidelines:

Loose-Fill Materials

- Maintain a minimum depth of 9 inches (23 cm) of loose-fill materials such as wood mulch/chips, engineered wood fiber (EWF), or shredded/recycled rubber mulch for equipment up to 8 feet (2.45 m) high; and 9 inches (23 cm) of sand or pea gravel for equipment up to 5 feet (1.5 m) high. NOTE: An initial fill level of 12 inches (31 cm) will compress to about a 9-inch (23 cm) depth of surfacing over time. The surfacing will also compact, displace, and settle, and should be periodically raked and refilled to maintain at least a 9-inch (23 cm) depth.
- Use a minimum of 6 inches (16 cm) of protective surfacing for play equipment less than 4 feet (1.22 m) in height. If maintained properly, this should be adequate. (At depths less than 6 inches (16 cm), the protective material is too easily displaced or compacted.)

NOTE: Do not install home playground equipment over concrete, asphalt, or any other hard surface. A fall onto a hard surface can result in serious injury to the equipment user. Grass and dirt are not considered protective surfacing because wear and environmental factors can reduce their shock absorbing effectiveness. Carpeting and thin mats are not adequate protective surfacing. Ground level equipment -- such as a sandbox, activity wall, playhouse or other equipment that has no elevated play surface -- does not need any protective surfacing.

- Use containment, such as digging out around the perimeter and/or lining the perimeter with landscape edging. Don't forget to account for water drainage.
- Periodically rake, check and maintain the depth of the loose-fill surfacing material. Marking the correct depth on the play equipment support posts will help you to see when the material has settled and needs to be raked and or replenished. Be sure to rake and evenly redistribute the surfacing in heavily used areas.
- Do not install loose fill surfacing over hard surfaces such as concrete or asphalt.

Poured-In-Place Surfaces or Pre-Manufactured Rubber Tiles

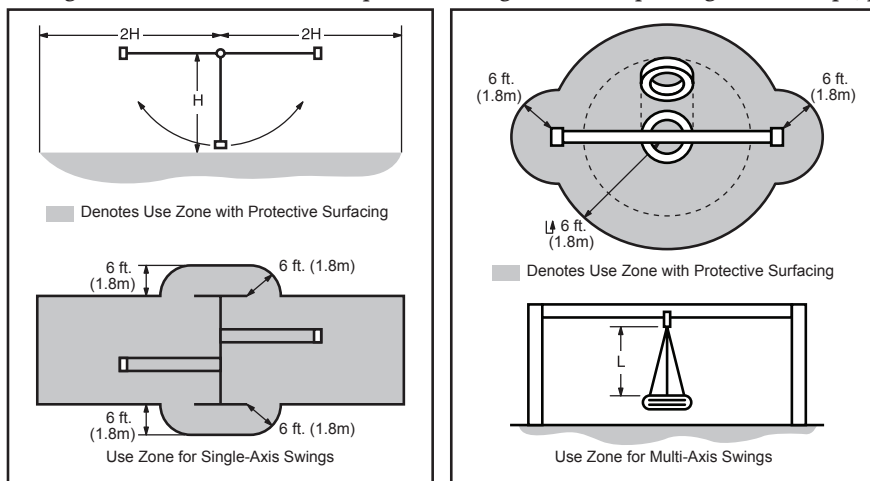
You may be interested in using surfacing other than loose-fill materials - like rubber tiles or poured-in-place surfaces.

- Installations of these surfaces generally require a professional and are not "do-it yourself" projects.
- Review surface specifications before purchasing this type of surfacing. Ask the installer/manufacturer for a report showing that the product has been tested to the following safety standard: ASTM F1292 *Standard Specification for Impact Attenuation of Surfacing Materials within the Use Zone of Playground Equipment*. This report should show the specific height for which the surface is intended to protect against serious head injury. This height should be equal to or greater than the fall height - vertical distance between a designated play surface (*elevated surface for standing, sitting, or climbing*) and the protective surfacing below - of your play equipment.
- Check the protective surfacing frequently for wear.

Placement

Proper placement and maintenance of protective surfacing is essential. Refer to diagram on front cover. Be sure to;

- Extend surfacing at least 6 feet (1.8 m) from the equipment in all directions.
- For to-fro swings, extend protective surfacing in front of and behind the swing to a distance equal to twice the height of the top bar from which the swing is suspended.
- For tire swings, extend surfacing in a circle whose radius is equal to the height of the suspending chain or rope, plus 6 feet (1.8 m) in all directions.



From the CPSC Outdoor Home Playground Safety Handbook. At <http://www.playgroundregs.com/resources/CPSC%20324.pdf>

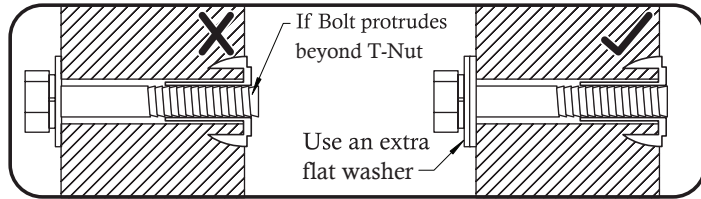
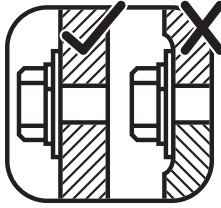
Instructions for Proper Maintenance

Your KidKraft Play System is designed and constructed of quality materials with your child's safety in mind. As with all outdoor products used by children, it will weather and wear. To maximize the enjoyment, safety and life of your Play Set, it is important that you, the owner, properly maintain it.

Check the following at the beginning of the play season:

HARDWARE:

- ✓ Check metal parts for rust. If found, sand and repaint using a non-lead paint complying with 16 CFR 1303.
- ✓ Inspect and tighten all hardware. On wood assemblies **DO NOT OVER-TIGHTEN** as to cause crushing and splintering of wood.
- ✓ Check for sharp edges or protruding screw threads, add washers if required.



SHOCK ABSORBING SURFACING:

- ✓ Check for foreign objects. Rake and check depth of loose fill protective surfacing materials to prevent compaction and maintain appropriate depth. Replace as necessary. (See Protective Surfacing, page 3)

GROUND STAKES (ANCHORS):

- ✓ Check for looseness, damage or deterioration. Should firmly anchor unit to ground during use. Re-secure and or replace, if necessary.

SWING HANGERS:

- ✓ Check that bolts are secure and tight. Quick clips should be completely closed and threaded clips screwed tight.

- ✓ If squeaking occurs lubricate bushings with oil or WD-40®.

SWINGS, ROPES AND RIDES:

- ✓ Reinstall if removed during cold season. Check all moving parts including swing seats, ropes, chains and attachments for wear, rust and other deterioration. Replace as needed.
- ✓ Check that ropes are tight, secure at both ends and cannot loop back as to create an entrapment.

WOOD PARTS:

- ✓ Check all wood members for deterioration, structural damage and splintering. Sand down splinters and replace deteriorated wood members. As with all wood, some checking and small cracks in grain is normal.
- ✓ Applying a water repellent or stain (water-based) on a yearly basis is important maintenance to maintain maximum life and performance of the product.

Check twice a month during play season:

HARDWARE:

- ✓ Inspect for tightness. Must be firmly against, but not crushing the wood. **DO NOT OVER-TIGHTEN.** This will cause splintering of wood.
- ✓ Check for sharp edges or protruding screw threads. Add washers if required.

SHOCK ABSORBING SURFACING:

- ✓ Rake and check depth of loose fill protective surfacing materials to prevent compaction and maintain appropriate depth. Replace as necessary. (See Protective Surfacing, page 3)

Check once a month during play season:

SWING HANGERS:

- ✓ Check that they are secure and orientated correctly. Hook should rotate freely and perpendicular to support beam.
- ✓ If squeaking occurs lubricate bushings with oil or WD-40®.

SWINGS AND RIDES:

- ✓ Check swing seats, all ropes, chains and attachments for fraying, wear, excessive corrosion or damage. Replace if structurally damaged or deteriorated.

Check at the end of the play season:

SWINGS AND RIDES:

- ✓ To prolong their life, remove swings and store inside when outside temperature is below 32°F/0°C. Below freezing, plastic parts may become more brittle.

SHOCK ABSORBING SURFACING:

- ✓ Rake and check depth of loose fill protective surfacing materials to prevent compaction and maintain appropriate depth. Replace as necessary. (See Protective Surfacing, page 3)

If you dispose of your play set: Please disassemble and dispose of your unit so that it does not create any unreasonable hazards at the time it is discarded. Be sure to follow your local waste ordinances.

About Our Wood

KidKraft Premium Play Systems uses only premium playset lumber, ensuring the safest product for your children's use. Although we take great care in selecting the best quality lumber available, wood is still a product of nature and susceptible to weathering which can change the appearance of your set.

What causes weathering? Does it affect the strength of my Play System?

One of the main reasons for weathering is the effects of water (moisture); the moisture content of the wood at the surface is different than the interior of the wood. As the climate changes, moisture moves in or out of the wood, causing tension which can result in checking and or warping. You can expect the following due to weathering. These changes will not affect the strength of the product:

1. **Checking** is surface cracks in the wood along the grain. A post 4" x 4" (101mm x 101mm) will experience more checking than a board 1" x 4" (25mm x 101mm) because the surface and interior moisture content will vary more widely than in thinner wood.
2. **Warping** results from any distortion (twisting, cupping) from the original plane of the board and often happens from rapid wetting and drying of the wood.
3. **Fading** happens as a natural change in the wood color as it is exposed to sun-light and will turn a grey over time.

How can I reduce the amount of weathering to my Play System?

At the factory we have coated the wood with a water repellent or stain. This coating decreases the amount of water absorption during rain or snow thus decreasing the tension in the wood. Sunlight will break down the coating, so we recommend applying a water repellent or stain on a yearly basis (see your local stain and paint supplier for a recommended product).

Most weathering is just the normal result of nature and will not affect safe play and enjoyment for your child. However if you are concerned that a part has experienced a severe weathering problem please call our consumer relations department for further assistance.

Complete and mail registration card to receive important product notifications and assure prompt warranty service.

KidKraft Limited Warranty

MISSING OR DAMAGED PARTS:

KidKraft will replace any parts within 90 days from date of purchase found to be missing from or damaged in the original packaging. See Fig. 1

Fig. 1	<u>Product Age (All Parts)</u> 0-90 Days from date of purchase	<u>Consumer Pays</u> \$0 for Part + Free Shipping
--------	---	--

DEFECTS IN MATERIAL AND WORKMANSHIP:

KidKraft warrants that this product is free from defects in materials and workmanship for a period of one (1) year from the original date of purchase (dated sales receipt and/or product registration is required). This one (1) year warranty covers all parts including wood, hardware, and all accessories (Such as swings, rides, and slides). See Fig. 2

Fig. 2	<u>Product Age (All Parts)</u> 91 Days to 1 Year	<u>Consumer Pays</u> \$0 for Part + Free Shipping
--------	---	--

WOOD ROT, DECAY, AND INSECT DAMAGE:

All wood carries a five (5) year warranty against rot, decay, and insect damage (dated sales receipt and/or product registration is required). Refer to the schedule below for charges associated with replacement of wood parts under this **Limited Warranty**. See Fig. 3

Fig. 3	<u>Product Age (Wood Parts)</u> 0 Days to 1 Year After 1 Year to 5 Year Over 5 Years	<u>Consumer Pays</u> \$0 for Part + Free Shipping \$0 for Part + Shipping & Handling 100% for Part (if available) + Shipping & Handling
--------	---	--

This warranty applies to the original owner and registrant and is non-transferable. Regular maintenance is required to ensure the integrity of this product. Failure by the owner to maintain the product according to the maintenance requirements may void this warranty.

This Limited Warranty does NOT cover:

- Any inspection cost
- Labor and/or costs for replacement of any defective item(s), including but not limited to, professional installer costs
- Incidental or consequential damages, including but not limited to, as a result of set relocation, move and/or reinstall
- Cosmetic defects which do not affect performance or integrity of a part or the entire product
- Vandalism, improper use or installation, or acts of nature, including but not limited to, high winds, fire, and flood
- Minor twisting, warping, checking, or any natural occurring properties of wood that do not affect performance or integrity.
- Any KidKraft product purchased, including but not limited to, a non-approved retailer, auction houses, second-hand, and as-is clearance items.

KidKraft products have been designed for safety and quality. Modifications made to the original product may damage the structural integrity of the unit leading to failure and possible injury. KidKraft cannot assume any responsibility for the modified products. Furthermore, modifications void all warranties.

This product is warranted for **RESIDENTIAL USE ONLY**. Under no circumstance should a KidKraft product be used in public settings such as schools, churches, playgrounds, parks, home and professional day cares and the like. Such use may lead to product failure and potential injury. Public use will void this warranty. KidKraft disclaims all other representations and warranties of any kind, express or implied.



Keys to Assembly Success

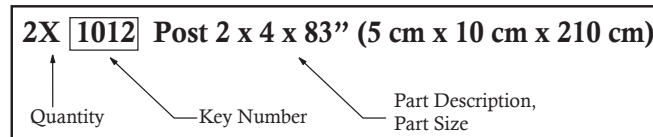
Tools Required

<ul style="list-style-type: none"> • Tape Measure • Carpenters Level • Carpenters Square • Claw Hammer • Standard or Cordless Drill • Rubber Mallet 	<ul style="list-style-type: none"> • #1 Phillips, #2 Robertson and Screwdriver • Ratchet with extension 1/2" (13mm) & 7/16" (11 mm) sockets 	<ul style="list-style-type: none"> • Open End Wrench 1/2" (13mm) & 7/16" (11 mm) • Adjustable Wrench • 1/8" (3mm) & 3/16" (5mm) Drill Bits 	<ul style="list-style-type: none"> • 3/16" (5mm) Hex Key • 8' (2.4m) Step Ladder • Safety Glasses • Adult Helpers • Pencil
---	---	---	---

Part Identification Key

On each page, you will find the parts and quantities required to complete the assembly step illustrated on that page.

Here is a sample.



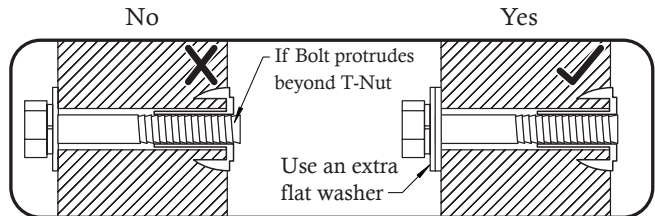
Symbols

Throughout these instructions symbols are provided as important reminders for proper and safe assembly.

<p>This identifies information that requires special attention. Improper assembly could lead to an unsafe or dangerous condition.</p>	<p>Check that set or assembly is properly level before proceeding.</p> <p>Use Level</p>
<p>Use Help</p> <p>Where this is shown, 2 or 3 people are required to safely complete the step. To avoid injury or damage to the assembly make sure to get help!</p>	<p>Pre-drill 1/8" (3mm) & 3/16" (5mm) Bit</p> <p>Pre-drill a pilot hole before fastening screw or lag to prevent splitting of wood.</p>
<p>Measure Distance</p> <p>Check that assembly is square before tightening bolts.</p> <p>Square Assembly</p> <p>Use a measuring tape to assure proper location.</p>	<p>Tighten Bolts</p> <p>This indicates time to tighten bolts, but not too tight! Do not crush the wood. This may create splinters and cause structural damage.</p>

CAUTION – Protrusion Hazard

Once the assembly is tightened, watch for exposed threads. If a thread protrudes from the T-Nut, remove the bolt and add washers to eliminate this condition. Extra washers have been provided for this purpose.

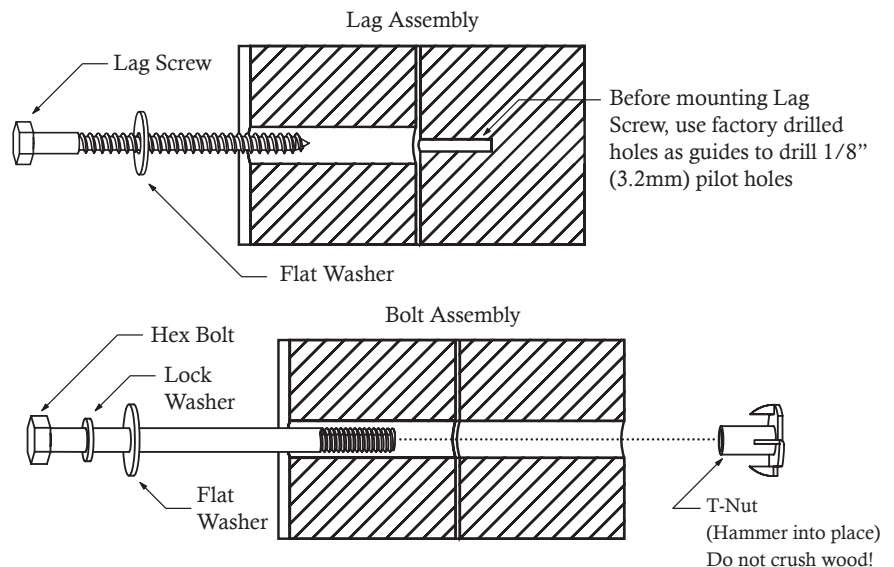


Proper Hardware Assembly

Lag screws require drilling pilot holes to avoid splitting wood. Only a flat washer is required. For ease of installation liquid soap can be used on all lag-type screws.

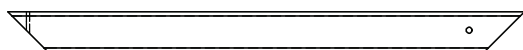
For bolts, tap T-Nut into hole with hammer. Insert the hex bolt through lock washer first then flat washer then hole. Because the assemblies need to be squared do not completely tighten until instructed. Pay close attention to diameter of the bolts. 5/16" (8mm) is slightly larger than 1/4" (6.4mm).

Note: Wafer head bolts with blue lock tight or a bolt with a Ny-Lok nut do NOT require a lock washer.



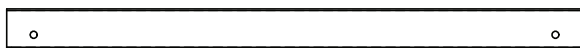
Part Identification (Reduced Size)

2x - [11028] - 25.4 x 63.5 x 820 mm - 38211028



1" x 2 1/2" x 29 1/2"

4x - [10901] - 25.4 x 63.5 x 914.4 mm - 38210901



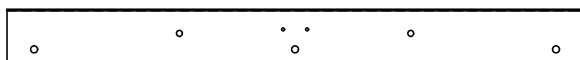
1" x 2 1/2" x 36"

6x - [10902] - 34.9 x 85.7 x 2114.6 mm - 38210902

1 3/8" x 3 3/8" x 83 1/4"

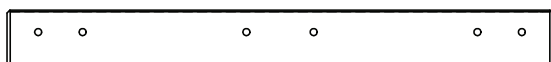


4x - [10903] - 31.8 x 88.9 x 914.4 mm - 38210903



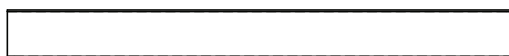
1 1/4" x 3 1/2" x 36"

4x - [10904] - 31.8 x 88.9 x 866.7 mm - 38210904



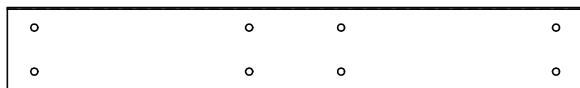
1 1/4" x 3 1/2" x 34 1/8"

2x - [10905] - 31.8 x 76.2 x 803.1 mm - 38210905



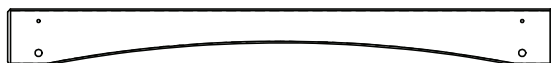
1 1/4" x 3" x 31 5/8"

2x - [10906] - 31.8 x 133.4 x 914.4 mm - 38210906



1 1/4" x 5 1/4" x 36"

2x - [10907] - 25.4 x 88.9 x 866.7 mm - 38210907



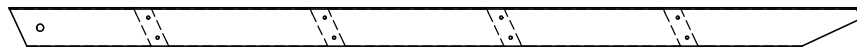
1" x 3 1/2" x 34 1/8"

1x - [10933] - 31.8 x 88.9 x 914.4 mm - 38210933



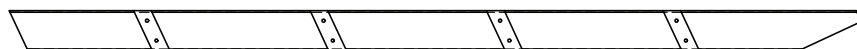
1 1/4" x 3 1/2" x 36"

1x - [10908] - 34.9 x 63.5 x 1353.3 mm - 37310908



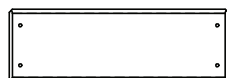
1 3/8" x 2 1/2" x 53 1/4"

1x - [10909] - 34.9 x 63.5 x 1353.3 mm - 37310909



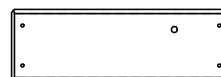
1 3/8" x 2 1/2" x 53 1/4"

6x - [10910] - 15.9 x 114.3 x 347.7 mm - 37310910



5/8" x 4 1/2" x 13 11/16"

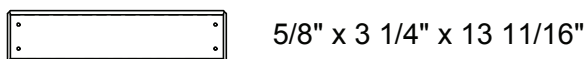
5x - [10911] - 15.9 x 114.3 x 347.7 mm - 37310911



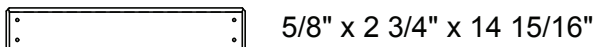
5/8" x 4 1/2" x 13 11/16"

Part Identification (Reduced Size)

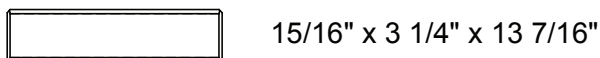
1x - [10912] - 15.9 x 82.6 x 347.7 mm - 37310912



1x - [11090] - 15.9 x 69.9 x 379.5 mm - 37311090

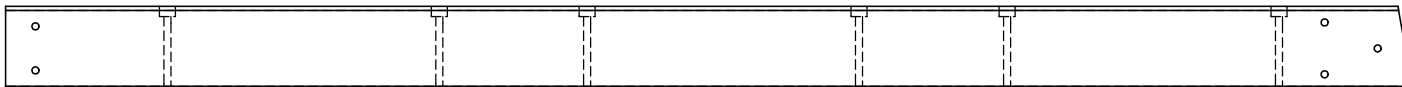


4x - [11091] - 23.8 x 82.6 x 341.3 mm - 37311091

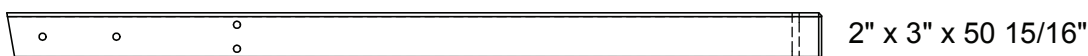


1x - [10915] - 50.8 x 133.4 x 2235.2 mm - 38210915

2" x 5 1/4" x 88"

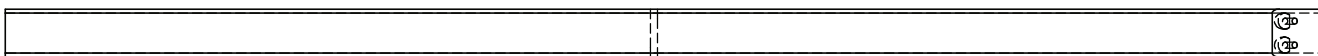


1x - [10916] - 50.8 x 76.2 x 1294.3 mm - 38210916



2x - [10917] - 50.8 x 76.2 x 2100 mm - 38210917

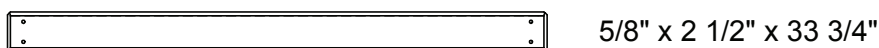
2" x 3" x 82 11/16"



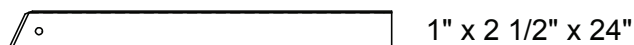
2x - [10919] - 31.8 x 50.8 x 914.4 mm - 38210919



12x - [10920] - 15.9 x 63.5 x 856.9 mm - 38210920



1x - [10921] - 25.4 x 63.5 x 609.9 mm - 37310921



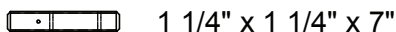
1x - [11092] - 15.9 x 76.2 x 692.2 mm - 37311092



1x - [10923] - 34.9 x 63.5 x 1353.3 mm - 37310923



2x - [10929] - 31.8 x 31.8 x 177.8 mm - 38210929

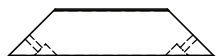


1x - [2616] - 23.8 x 82.6 x 1181.1 mm - 3822616



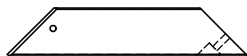
Part Identification (Reduced Size)

8x - [10799] - 31.8 x 76.2 x 330.2 mm - 38210799



1 1/4" x 3" x 13"

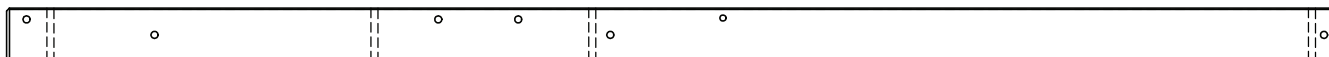
8x - [10800] - 31.8 x 76.2 x 384.1 mm - 38210800



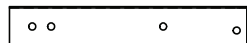
1 1/4" x 3" x 15 1/8"

2x - [10976] - 34.9 x 85.7 x 2114.6 mm - 38210976

1 3/8" x 3 3/8" x 83 1/4"



2x - [10956] - 31.8 x 63.5 x 376.6 mm - 38210956



1 1/4" x 2 1/2" x 14 13/16"

4x - [10957] - 31.8 x 63.5 x 408.4 mm - 38210957



1 1/4" x 2 1/2" x 16 1/16"

2x - [10958] - 31.8 x 63.5 x 844.5 mm - 38210958



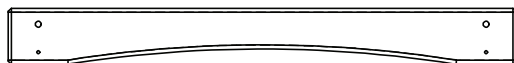
1 1/4" x 2 1/2" x 33 1/4"

1x - [10959] - 31.8 x 63.5 x 806.6 mm - 38210959



1 1/4" x 2 1/2" x 31 3/4"

1x - [10960] - 25.4 x 88.9 x 806.6 mm - 38210960



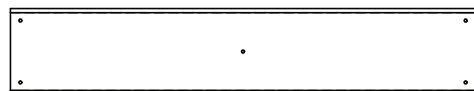
1" x 3 1/2" x 31 3/4"

1x - [10961] - 31.8 x 63.5 x 411.5 mm - 38210961



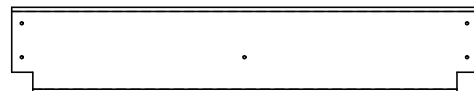
1 1/4" x 2 1/2" x 16 3/16"

2x - [10962] - 15.9 x 136.5 x 739 mm - 37310962



5/8" x 5 3/8" x 29 1/8"

1x - [10963] - 15.9 x 136.5 x 739 mm - 37310963



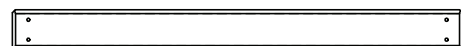
5/8" x 5 3/8" x 29 1/8"

2x - [10964] - 31.8 x 31.8 x 376 mm - 38210964



1 1/4" x 1 1/4" x 14 13/16"

4x - [10965] - 15.9 x 63.5 x 715 mm - 38210965



5/8" x 2 1/2" x 28 1/8"

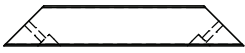
Part Identification (Reduced Size)

1x - **10966** - 15.9 x 114.3 x 914.4 mm - 38210966



5/8" x 4 1/2" x 36"

2x - **10967** - 31.8 x 63.5 x 381 mm - 38210967



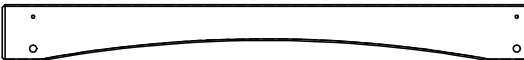
1 1/4" x 2 1/2" x 15"

2x - **10968** - 34.9 x 85.7 x 1489.6 mm - 38210968



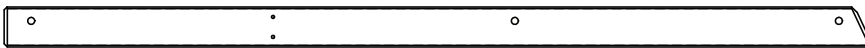
1 3/8" x 3 3/8" x 58 5/8"

2x - **10969** - 25.4 x 88.9 x 834.8 mm - 38210969



1" x 3 1/2" x 32 7/8"

4x - **10934** - 25.4 x 63.5 x 1380 mm - 38210934



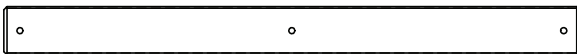
1" x 2 1/2" x 54 5/16"

2x - **10935** - 50.8 x 63.5 x 1257.5 mm - 38210935



2" x 2 1/2" x 49 1/2"

1x - **10936** - 31.8 x 76.2 x 914.4 mm - 38210936



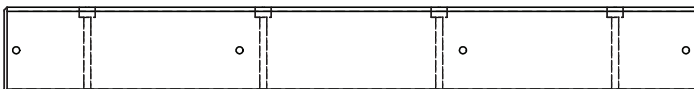
1 1/4" x 3" x 36"

1x - **10981** - 31.8 x 63.5 x 1267 mm - 38210981



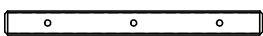
1 1/4" x 2 1/2" x 49 7/8"

3x - **10974** - 38.1 x 136.5 x 1102.2 mm - 37310974



1 1/2" x 5 3/8" x 43 3/8"

4x - **10975** - 25.4 x 34.9 x 409.5 mm - 37310975



1" x 1 3/8" x 16 1/8"

2x - **10945** - 25.4 x 76.2 x 85.7 mm - 38210945



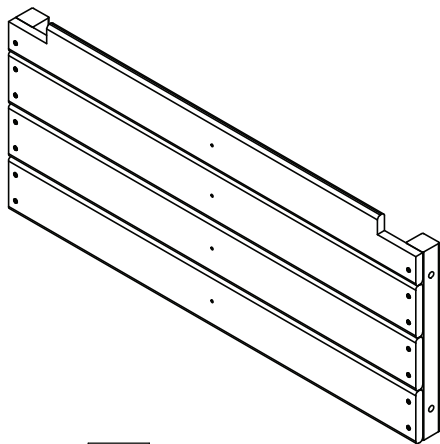
1" x 3" x 3 3/8"

2x - **10638** - 15.9 x 63.5 x 76.2 mm - 38210638



5/8" x 2 1/2" x 3"

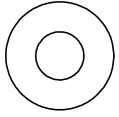
Part Identification (Reduced Size)



4x -[9423] - 37739423
2 1/8" x 15 13/16" x 36"
54.0 x 401.6 x 914.4 mm

Hardware Identification (Actual Size)

35 x **(FW0)** - 3/16" - 51103100
4.8mm



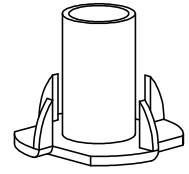
7 x **(LW1)** - 1/4" - 51303200
6.4mm



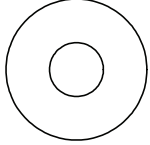
2 x **(LN1)** - 1/4" - 54303200
6.4mm



92 x **(TN2)** - 5/16" - 54503300
7.9mm



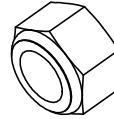
16 x **(FW1)** - 1/4" - 51103200
6.4mm



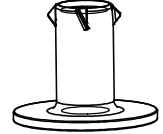
87 x **(LW2)** - 5/16" - 51303300
7.9mm



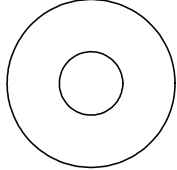
53 x **(LN2)** - 5/16" - 54303300
7.9mm



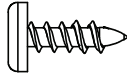
5 x **(BN1)** - 1/4" - 54803200
6.4mm



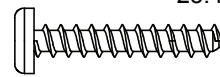
204 x **(FW2)** - 5/16" - 51103300
7.9mm



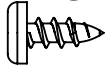
4 x **(S37)** - #7 x 5/8" - 52433009



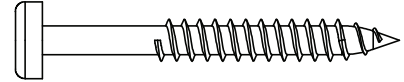
5 x **(S10)** - #8x 1" - 52433510
25.4mm



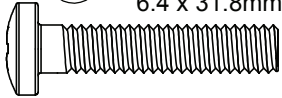
12 x **(S5)** - #8 x 1/2" - 52433502
12.7mm



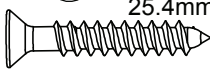
65 x **(S7)** - #12 x 2" - 52433620
50.8mm



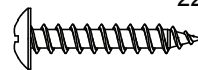
5 x **(PB2)** - 1/4 x 1-1/4" - 53433212
6.4 x 31.8mm



4 x **(S18)** - #6 x 1" - 52013910
25.4mm



68 x **(S0)** - #8 x 7/8" - 52933505
22.2mm



102 x **(S20)** - #8 x 1-3/8" - 52043516
34.9mm



12 x **(S2)** - #8 x 1-1/2" - 52043512
38.1mm



11 x **(S11)** - #8 x 2" - 52043520
50.8mm



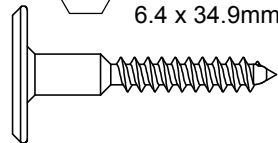
33 x **(S3)** - #8 x 2-1/2" - 52043522



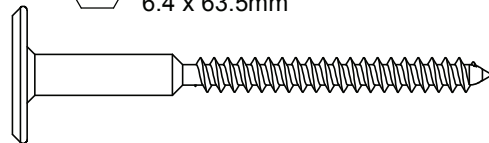
24 x **(S4)** - #8 x 3" - 52043530
76.2mm



12 x **(WL3)** - 1/4 x 1-3/8" - 52613216
6.4 x 34.9mm

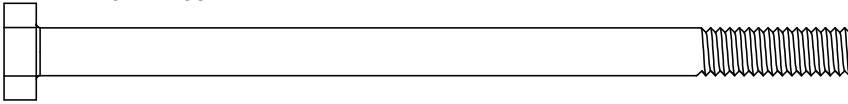


22 x **(WL5)** - 1/4 x 2-1/2" - 52613222
6.4 x 63.5mm

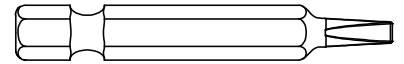


Hardware Identification (Actual Size)

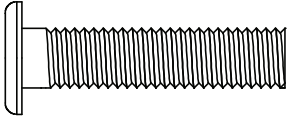
2 x **(H8)** - 1/4 x 4-1/4" - 53703241
6.4 x 108mm



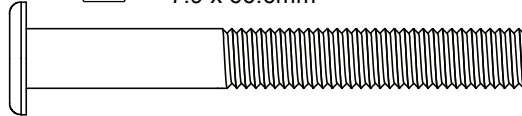
1 x **(D4)** - #2 x 2 - 9200014



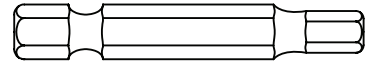
6 x **(WB2)** - 5/16 x 1-3/8" - 53613316
7.9 x 34.9mm



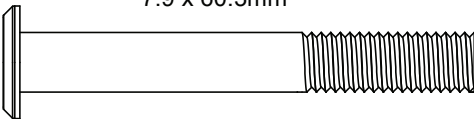
28 x **(WB10)** - 5/16 x 2-5/8" - 53613329
7.9 x 66.6mm



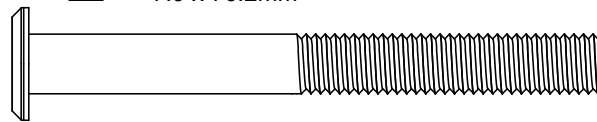
1 x **(D6)** - 3/16" - 9200019
4.8mm



9 x **(WB8)** - 5/16 x 2-3/8" - 53613326
7.9 x 60.3mm

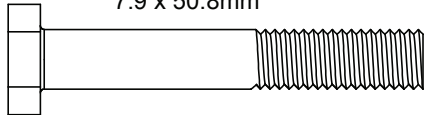


12 x **(WB7)** - 5/16 x 3" - 53613330
7.9 x 76.2mm

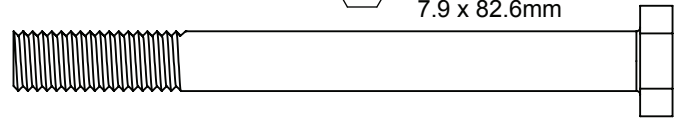


1x - 1/8 x 3 in
(3.2 x 76.2mm) - 9300183

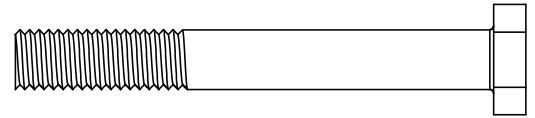
12 x **(G8)** - 5/16 x 2" - 53703320
7.9 x 50.8mm



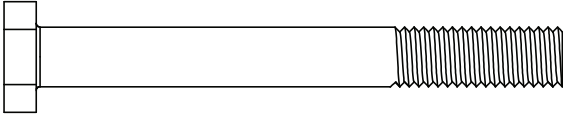
4 x **(G35)** - 5/16 x 3-1/4" - 53703331
7.9 x 82.6mm



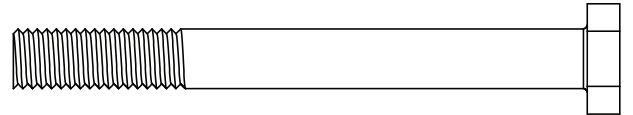
16 x **(G9)** - 5/16 x 2-1/2" - 53703322
7.9 x 63.5mm



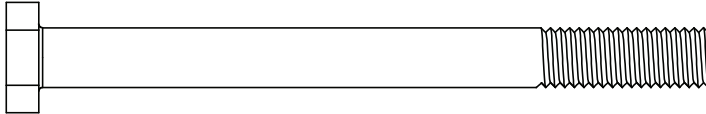
9 x **(G36)** - 5/16 x 2-3/4" - 53703323
7.9 x 69.9mm



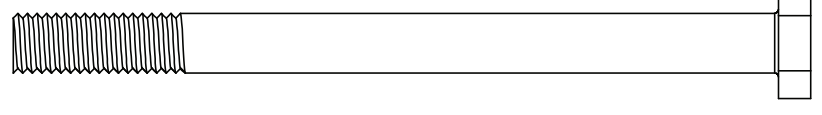
16 x **(G10)** - 5/16 x 3" - 53703330
7.9 x 76.2mm



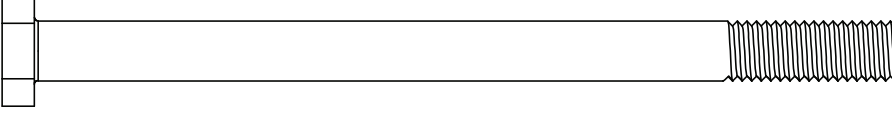
4 x **(G11)** - 5/16 x 3-1/2" - 53703332
7.9 x 88.9mm



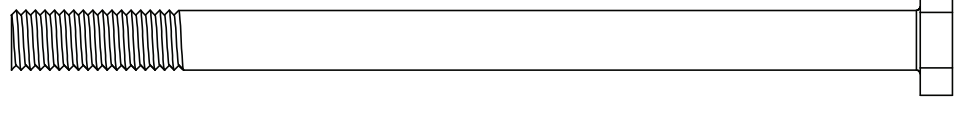
3 x **(G4)** - 5/16 x 4" - 53703340
7.9 x 101.5mm



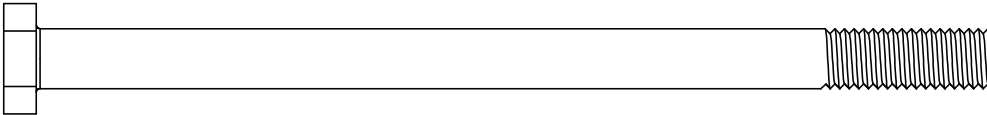
16 x **(G5)** - 5/16 x 4-1/2" - 53703342
7.9 x 114.3mm



8 x **(G6)** - 5/16 x 4-3/4" - 53703343
7.9 x 120.7mm



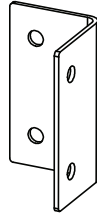
2 x **(G22)** - 5/16 x 5" - 53703350
7.9 x 127mm



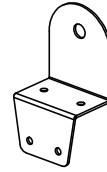
Part Identification (Reduced Size)



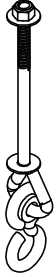
1x - 3320353



2x - 9200145



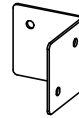
4x - 9200300



14x - 9201563



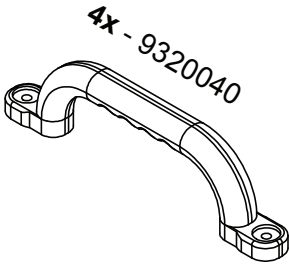
1x - 9320374



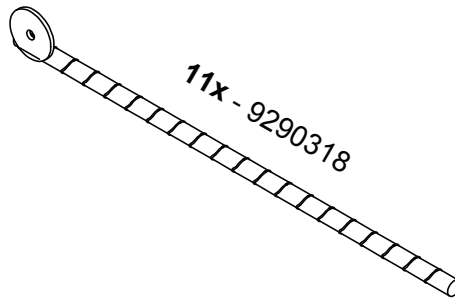
1x - 9200175



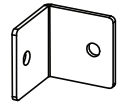
46x - 9329920



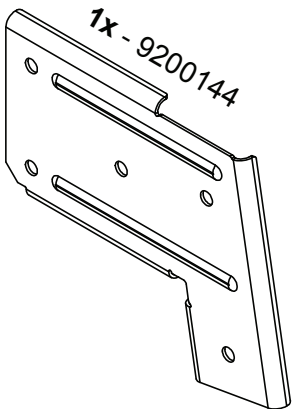
4x - 9320040



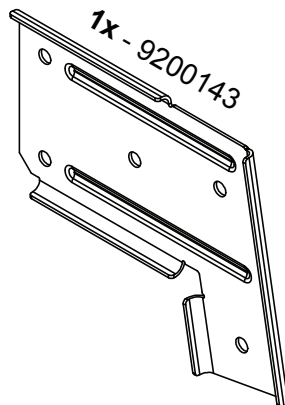
11x - 9290318



6x - 9201530



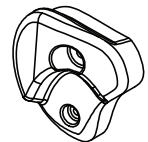
1x - 9200144



1x - 9200143

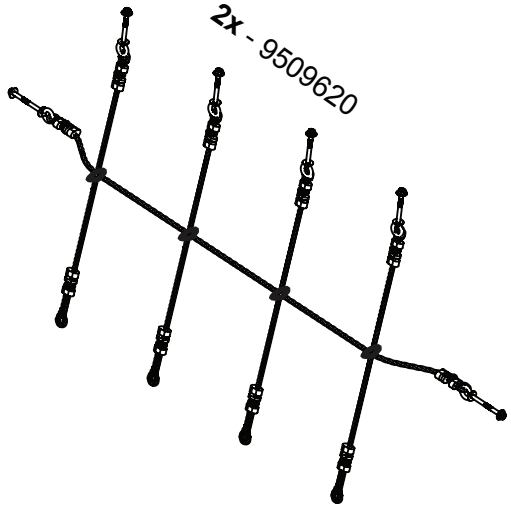


2x - 9320195

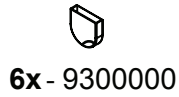


3x - 9320295

Part Identification (Reduced Size)



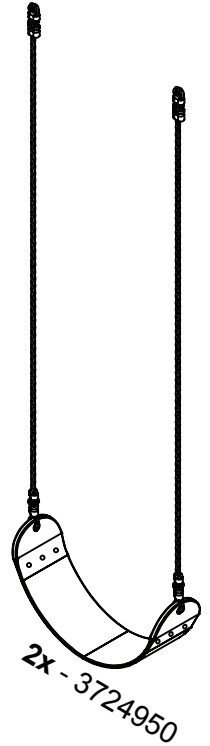
2x - 9509620



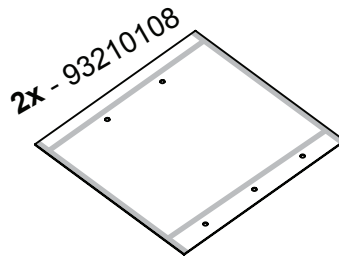
6x - 9300000



1x - 3724911



2x - 3724950



2x - 93210108



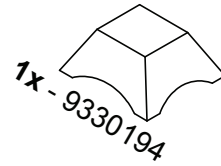
2x - 93210107



4x - 93210106

1x - 93210109

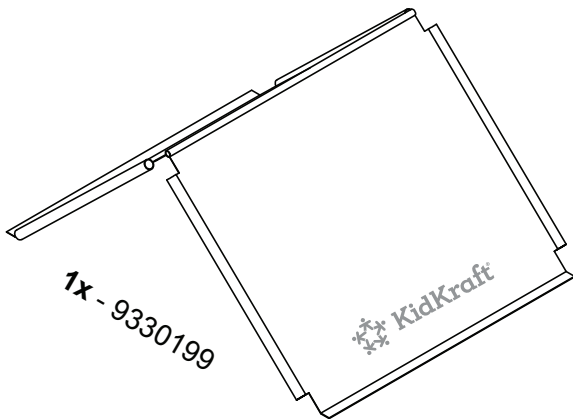
4x - 93210103



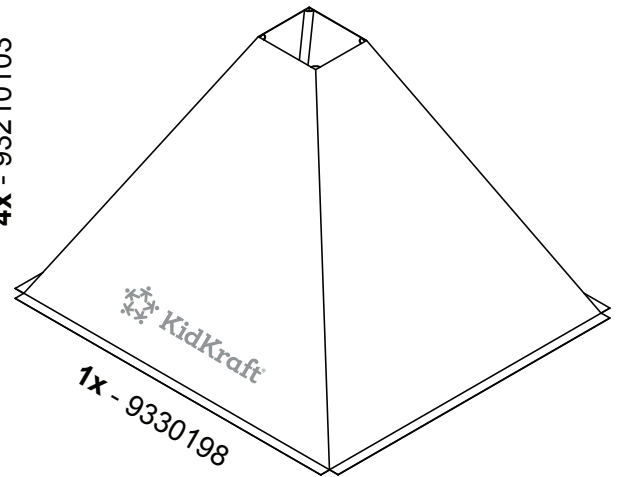
1x - 9330194



8x - 93210104

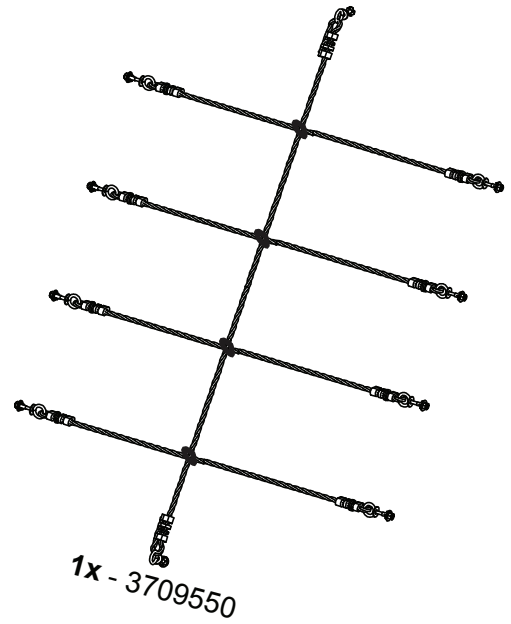
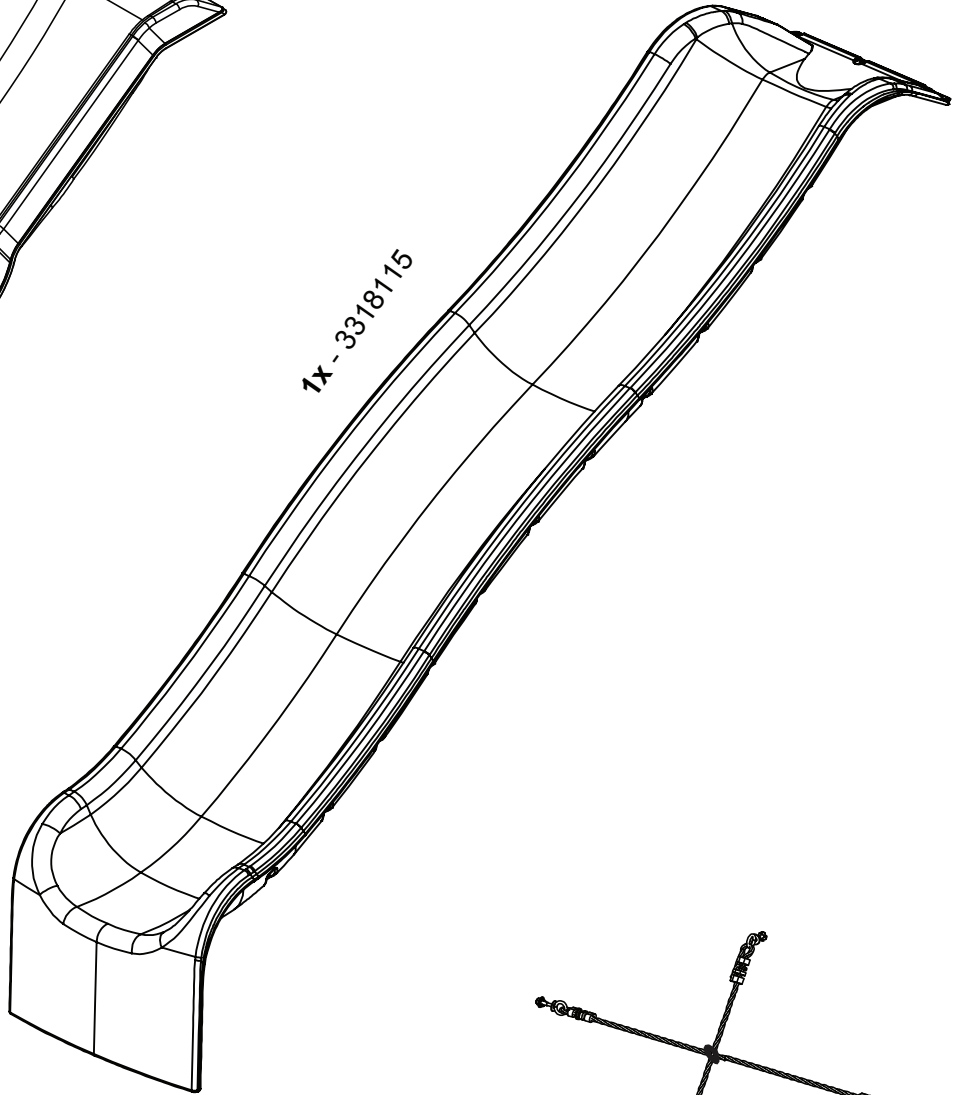
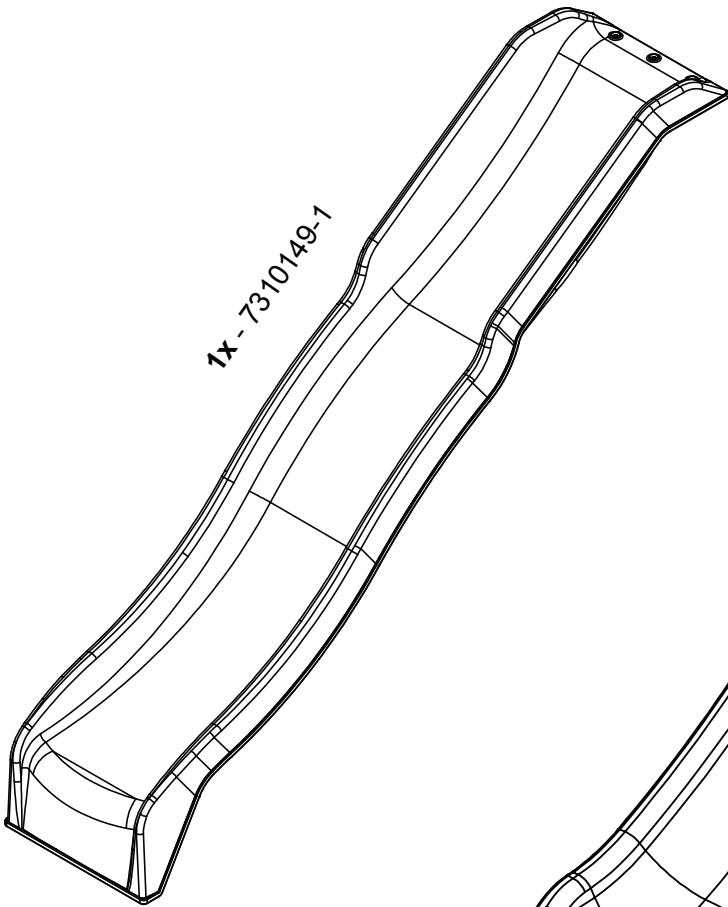


1x - 9330199

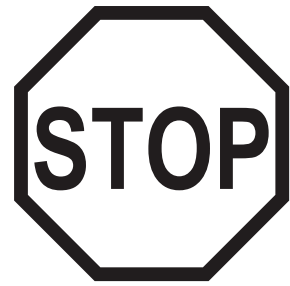
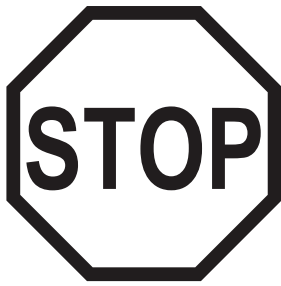


1x - 9330198

Part Identification (Reduced Size)



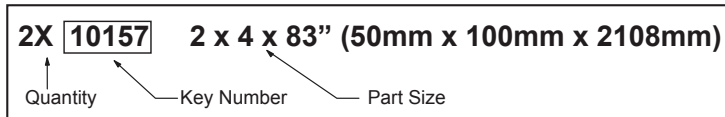
1 Inventory Parts - Read This Before Starting Assembly



Inventory should be completed before starting installation. KidKraft will not cover costs of any additional installation trip due to missing or damaged pieces.

A. This is the time for you to inventory all your hardware, wood and accessories, referencing the parts identification sheets. This will assist you with your assembly.

- The wood pieces will have the key number stamped on the ends of the boards. Organize the wood pieces by step, as per the key numbering system below.



B. Read the assembly manual completely, paying special attention to ANSI warnings; notes; and safety/maintenance information on pages 1 - 8.

**If there are missing or damaged pieces,
please contact the KidKraft Consumer Engagement team
before going back to the retailer.**

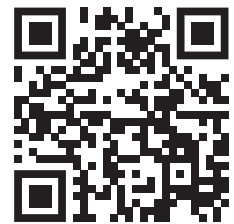
Order Replacement Parts 24/7

You can order replacement parts for this product 24 hours a day / 7 days a week:

Outdoor Swingsets and Playhouse Parts Ordering

<https://parts.kidkraft.com/partsorderemail>

If you have assembly or product questions, please refer to the front cover for direct contact information for our Consumer Engagement team OR you can also use this QR code with your smartphone for common questions and contact information.

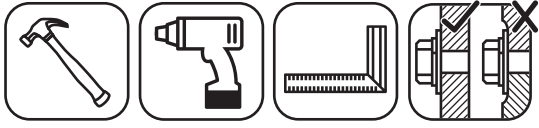


KidKraft Help Center <https://kidkraft.zendesk.com/hc/en-us/>

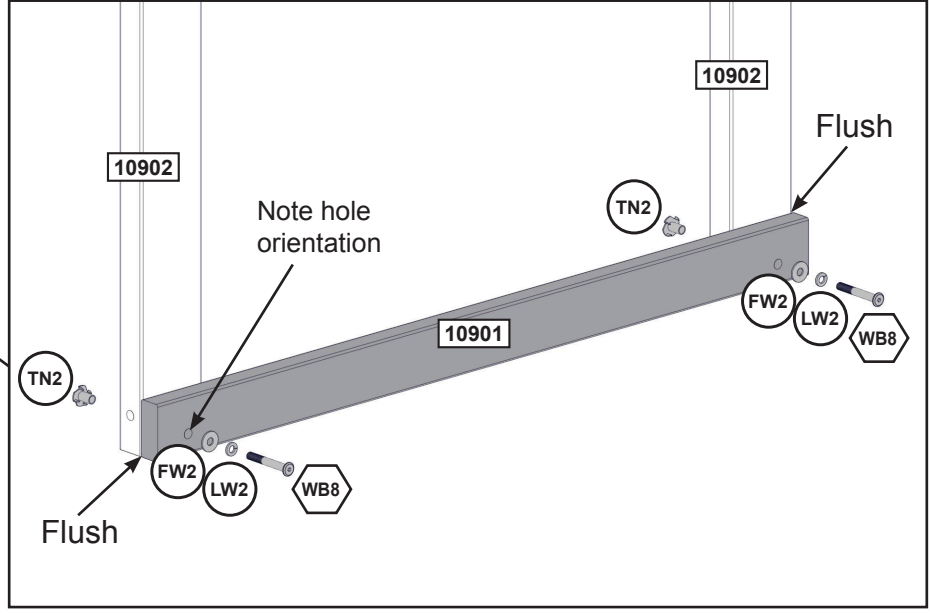
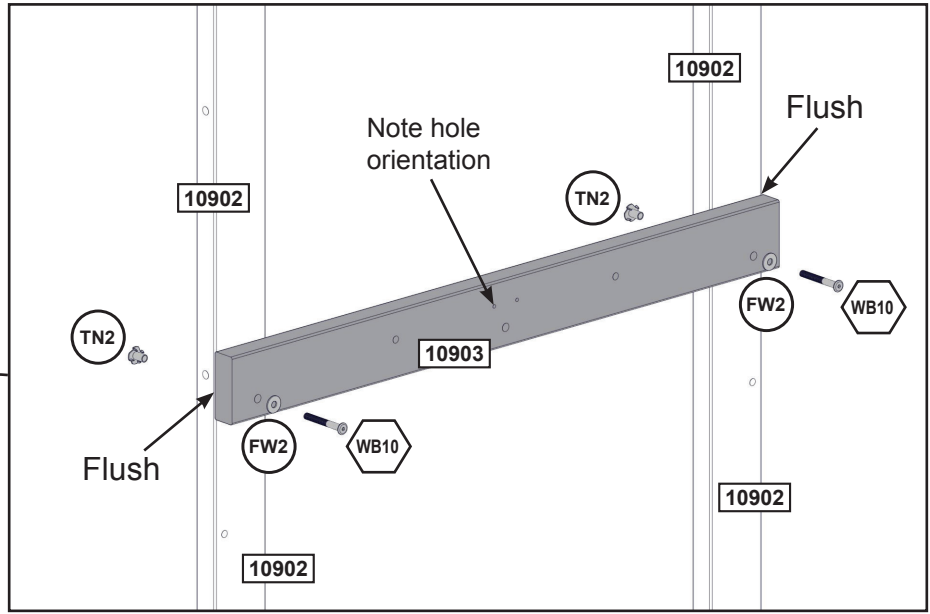
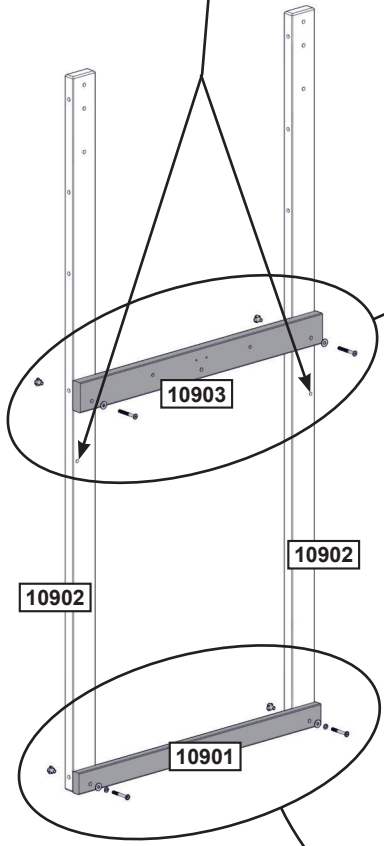


2

Make sure the assembly is square.
Note hole orientation.



Assemble T-Nuts first with hammer!



Wood Parts

- 1 x 10901 25.4 x 63.5 x 914.4 mm (1" x 2 1/2" x 36")
- 2 x 10902 34.9 x 85.7 x 2114.6 mm (1 3/8" x 3 3/8" x 83 1/4")
- 1 x 10903 31.8 x 88.9 x 914.4 mm (1 1/4" x 3 1/2" x 36")

Hardware

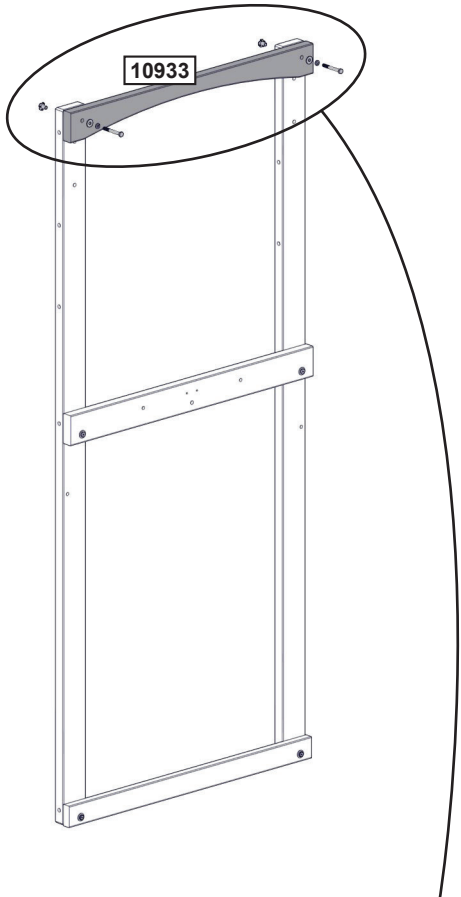
- 2 x WB8 7.9 x 60.3 mm (5/16 x 2-3/8") (LW2, FW2, TN2)
- 2 x WB10 7.9 x 66.6 mm (5/16 x 2-5/8") (FW2, TN2)



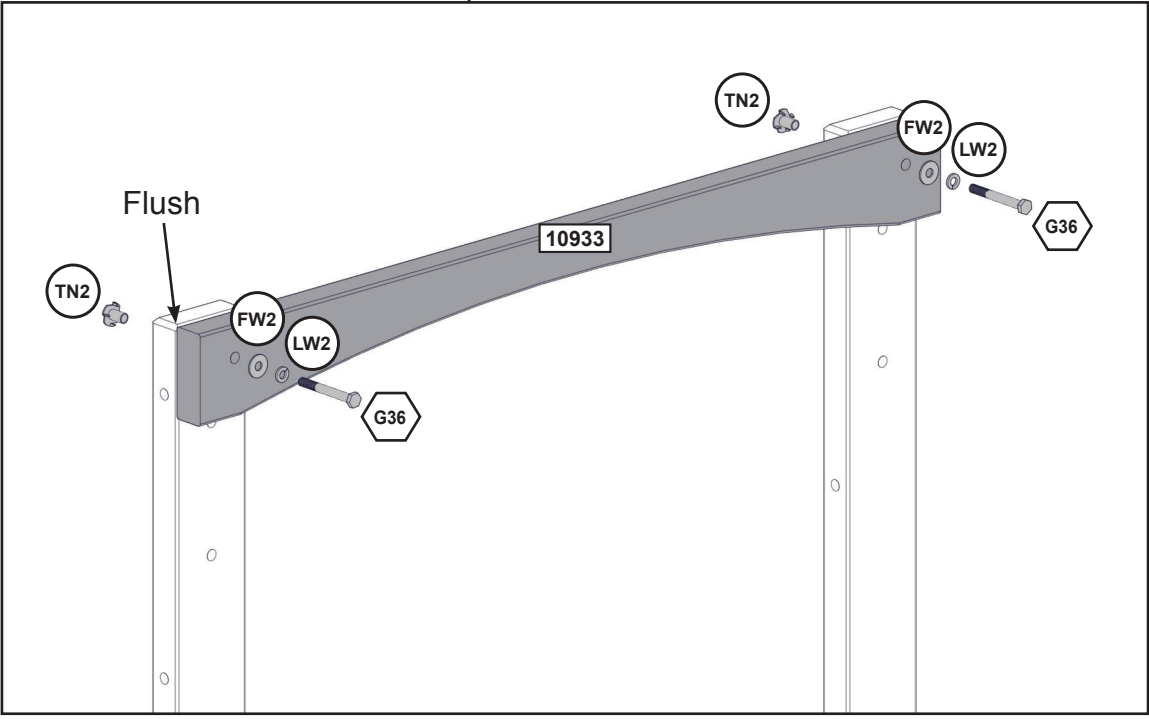
parts.kidkraft.com

customerservice@kidkraft.com
1.800.933.0771
972.385.0100

3



Assemble T-Nuts first with hammer!



Wood Parts

1 x 10933 31.8 x 88.9 x 914.4 mm (1 1/4" x 3 1/2" x 36")

Hardware

2 x G36 7.9 x 69.9 mm (5/16" x 2-3/4") (LW2, FW2, TN2)

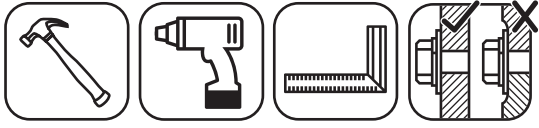
europcustomerservice@kidkraft.com
+31 20 305 8620
M-F from 09:00 to 17:30 (GMT+1)

parts.kidkraft.eu

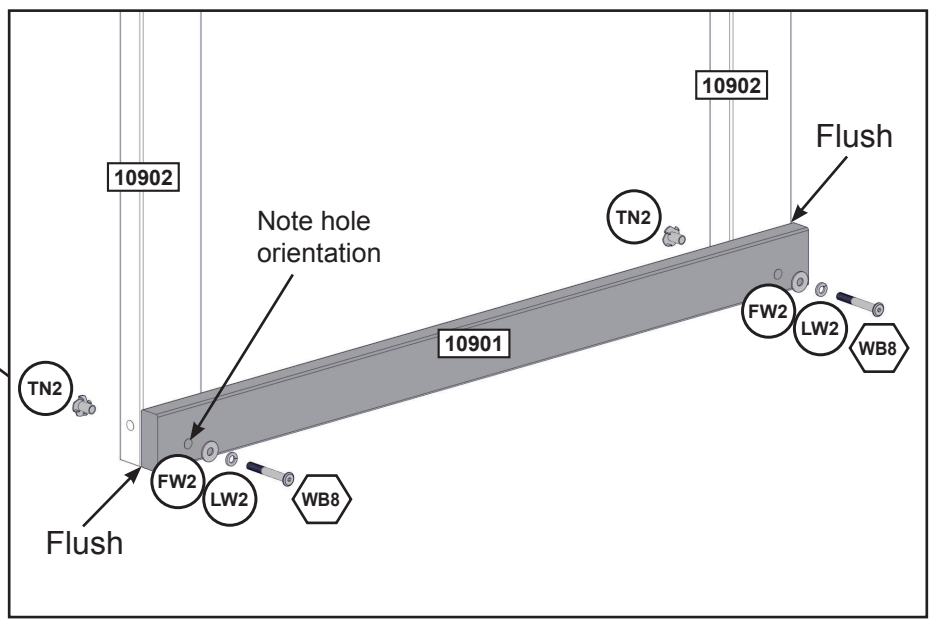
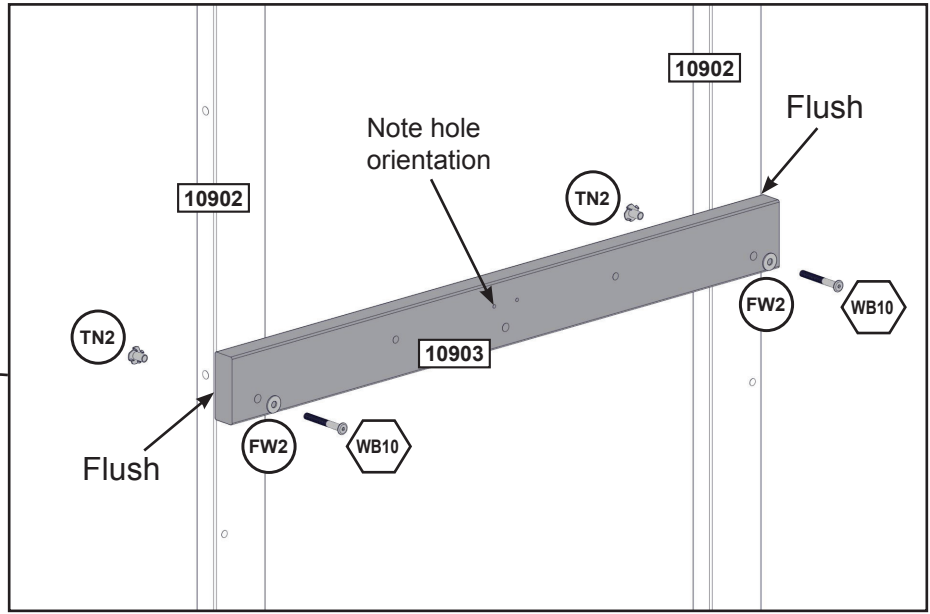
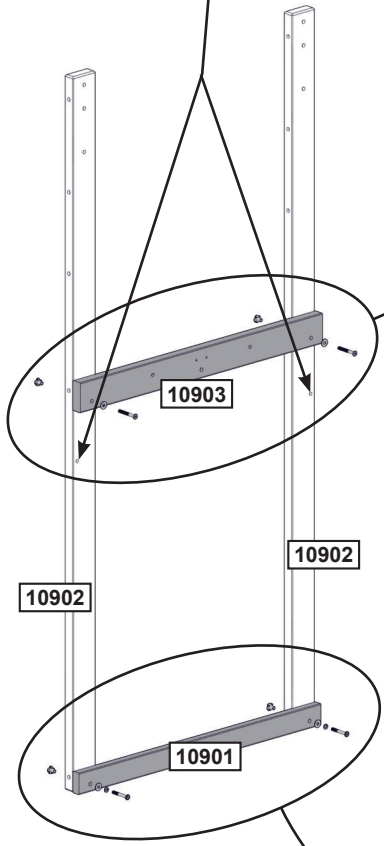


4

Make sure the assembly is square.
Note hole orientation.



Assemble T-Nuts first with hammer!



Wood Parts

- 1 x 10901 25.4 x 63.5 x 914.4 mm (1" x 2 1/2" x 36")
- 2 x 10902 34.9 x 85.7 x 2114.6 mm (1 3/8" x 3 3/8" x 83 1/4")
- 1 x 10903 31.8 x 88.9 x 914.4 mm (1 1/4" x 3 1/2" x 36")

Hardware

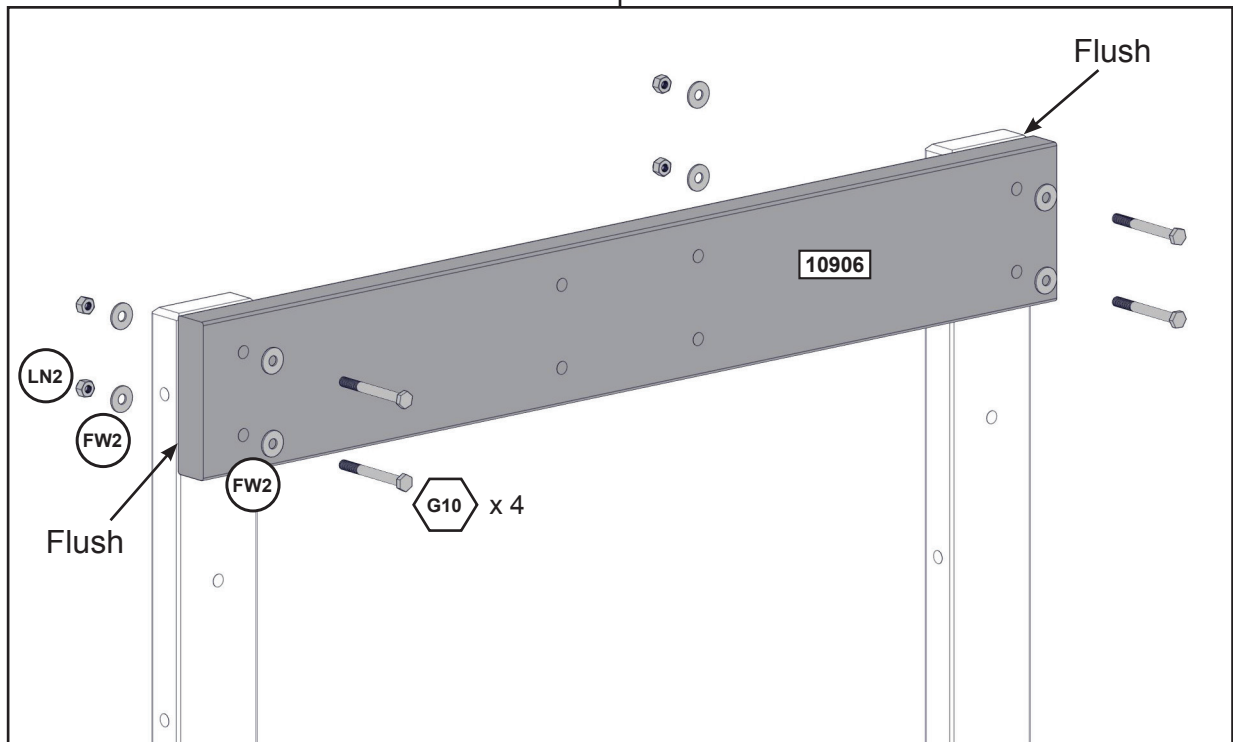
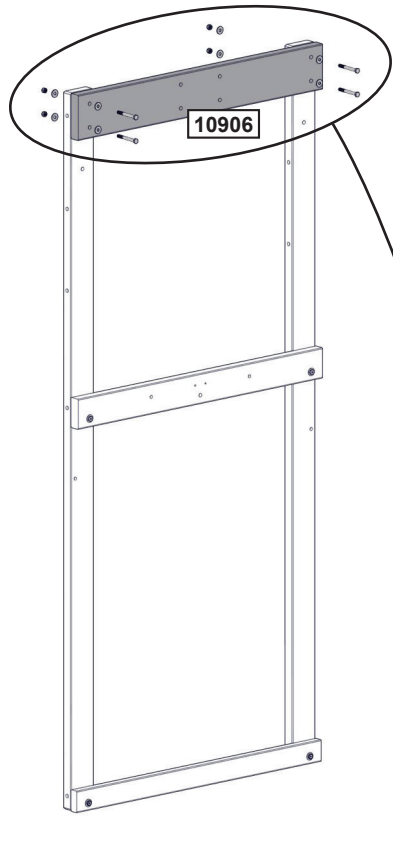
- 2 x WB8 7.9 x 60.3 mm (5/16 x 2-3/8") (LW2, FW2, TN2)
- 2 x WB10 7.9 x 66.6 mm (5/16 x 2-5/8") (FW2, TN2)



parts.kidkraft.com

customerservice@kidkraft.com
1.800.933.0771
972.385.0100

5



Wood Parts

1 x **10906** 31.8 x 133.4 x 914.4 mm (1 1/4" x 5 1/4" x 36")

Hardware

4 x **G10** 7.9 x 76.2mm (5/16" x 3") (FW2 x 2, LN2)

europecustomerservice@kidkraft.com
+31 20 305 8620
M-F from 09:00 to 17:30 (GMT+1)

parts.kidkraft.eu



6

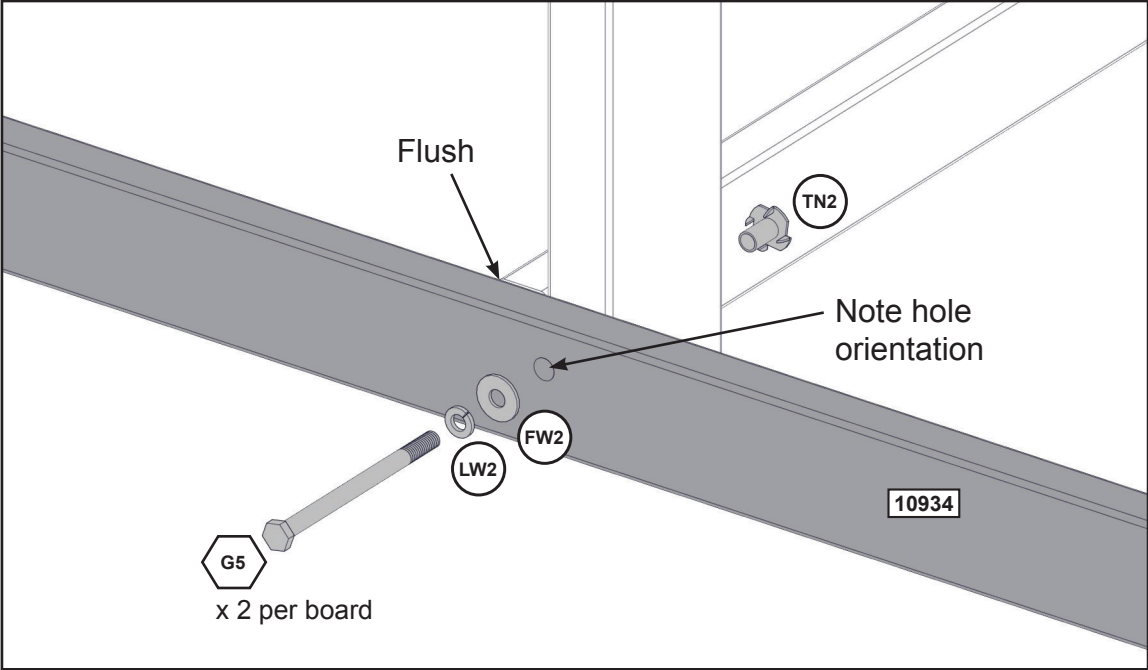
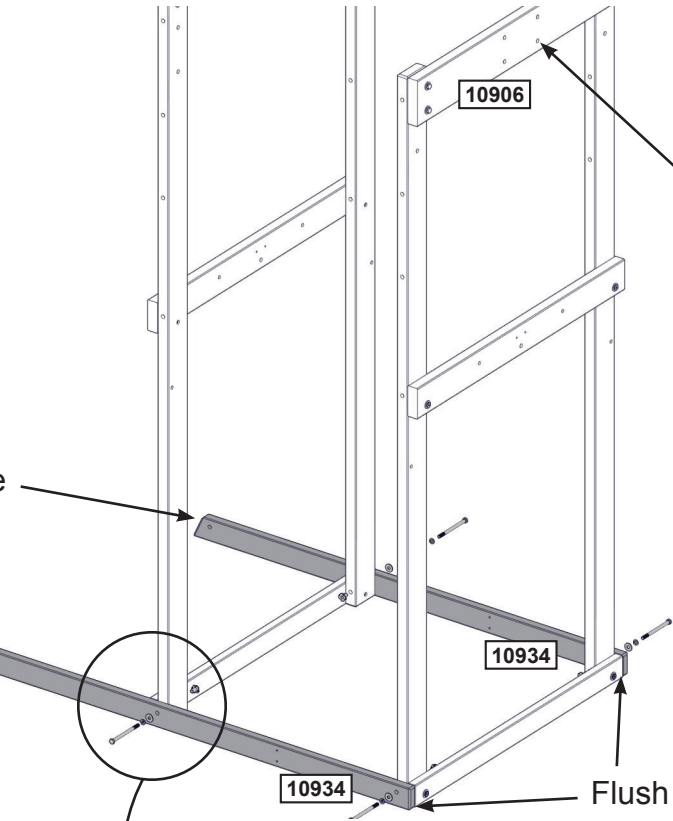


Note holes on 10906

Assemble T-Nuts first with hammer!
Make sure the assembly is square.



Note angle orientation



Wood Parts

2 x 10934 25.4 x 63.5 x 1380 mm (1" x 2 1/2" x 54 5/16")

Hardware

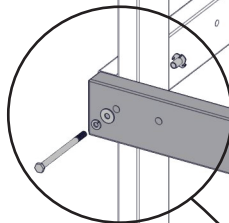
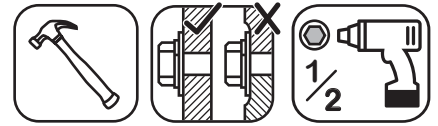
4 x G5 7.9 x 114.3 mm (5/16 x 4-1/2") (LW2, FW2, TN2)



parts.kidkraft.com

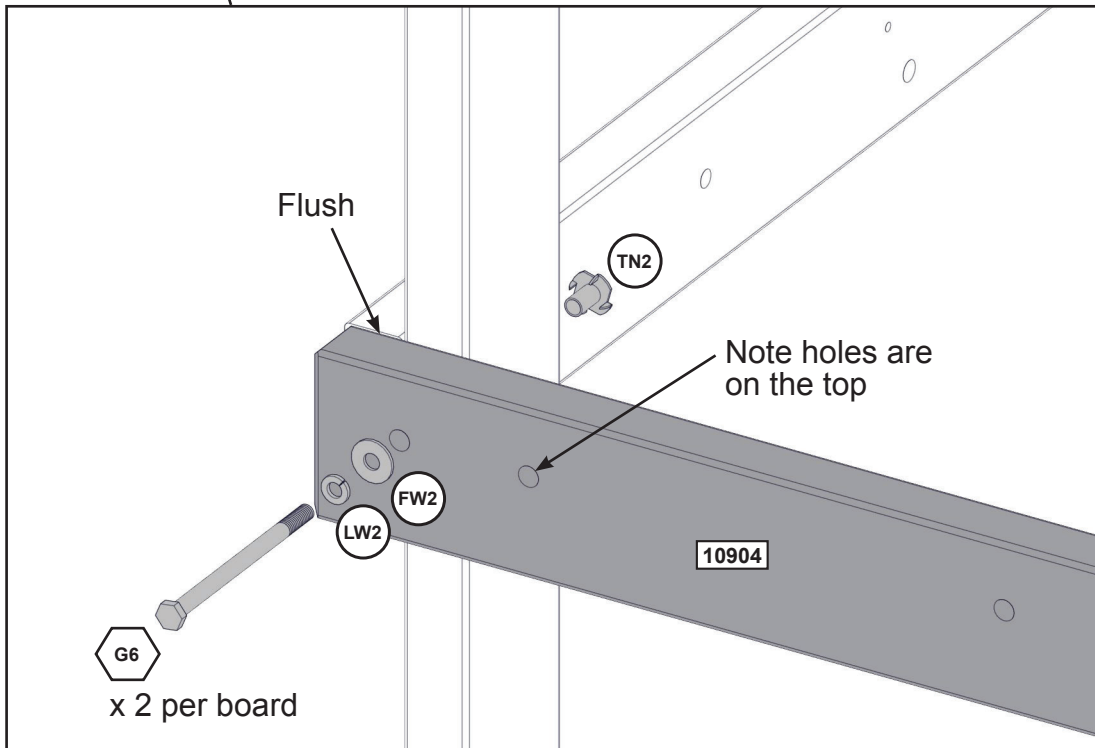
customerservice@kidkraft.com
1.800.933.0771
972.385.0100

7



Note: Structure partly removed for clarity.

**Assemble T-Nuts first with hammer!
Do not tighten bolts until Step 10.**



Wood Parts

2 x **10904** 31.8 x 88.9 x 866.7 mm (1 1/4" x 3 1/2" x 34 1/8")

Hardware

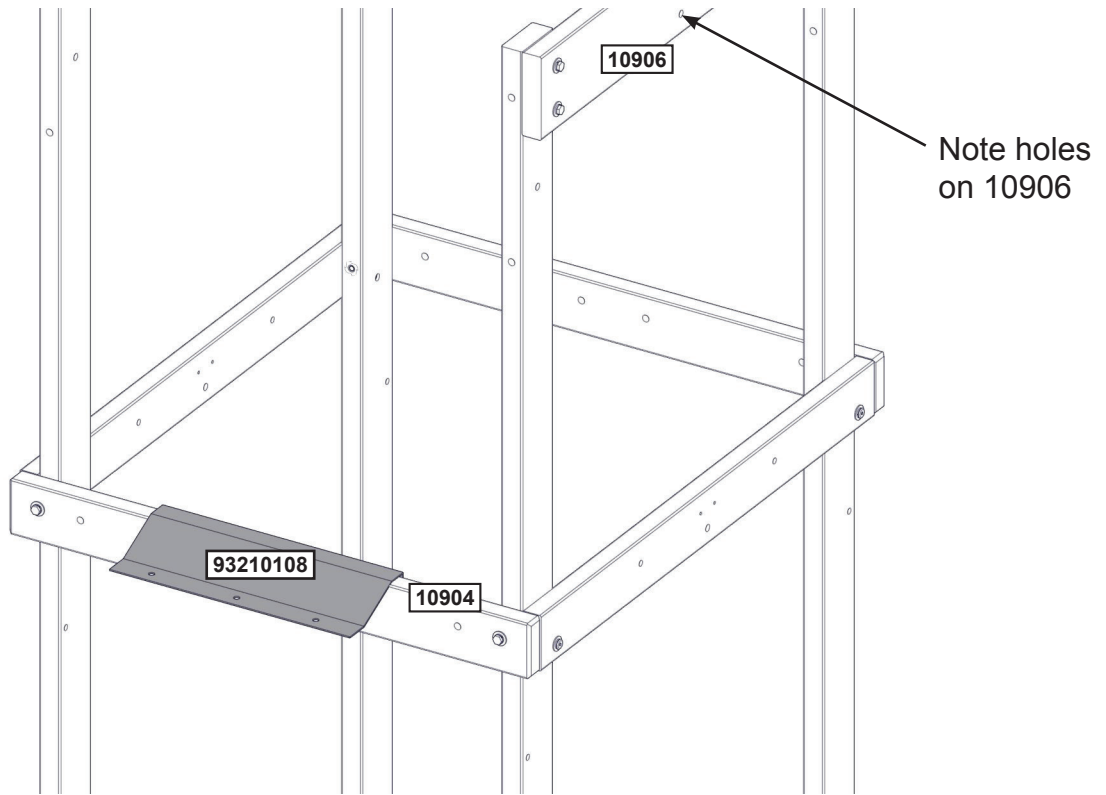
4 x **G6** 7.9 x 120.7 mm (5/16 x 4-3/4") (LW2, FW2, TN2)

europecustomerservice@kidkraft.com
+31 20 305 8620
M-F from 09:00 to 17:30 (GMT+1)

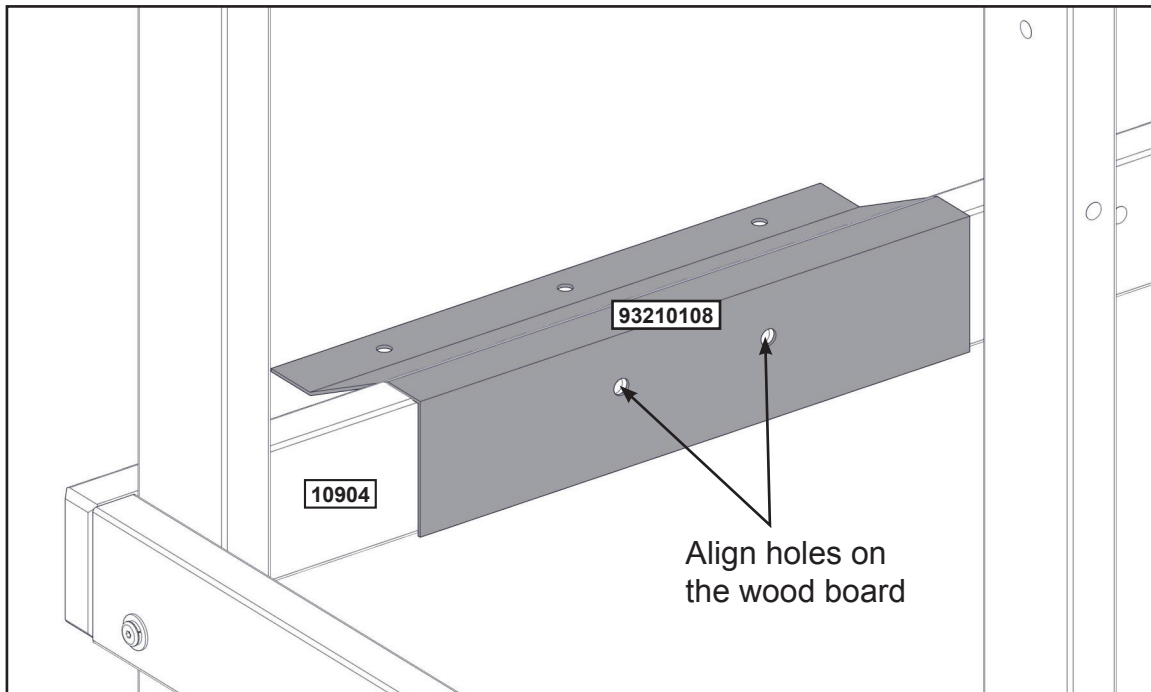
parts.kidkraft.eu



8

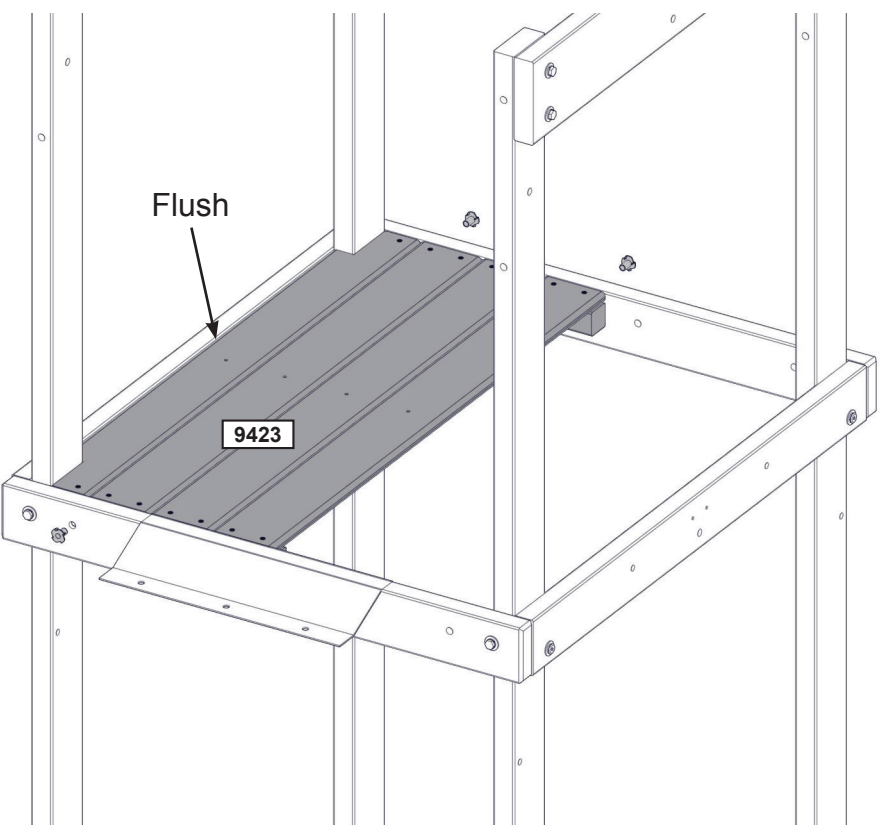
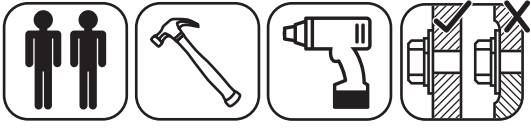


Rotated View



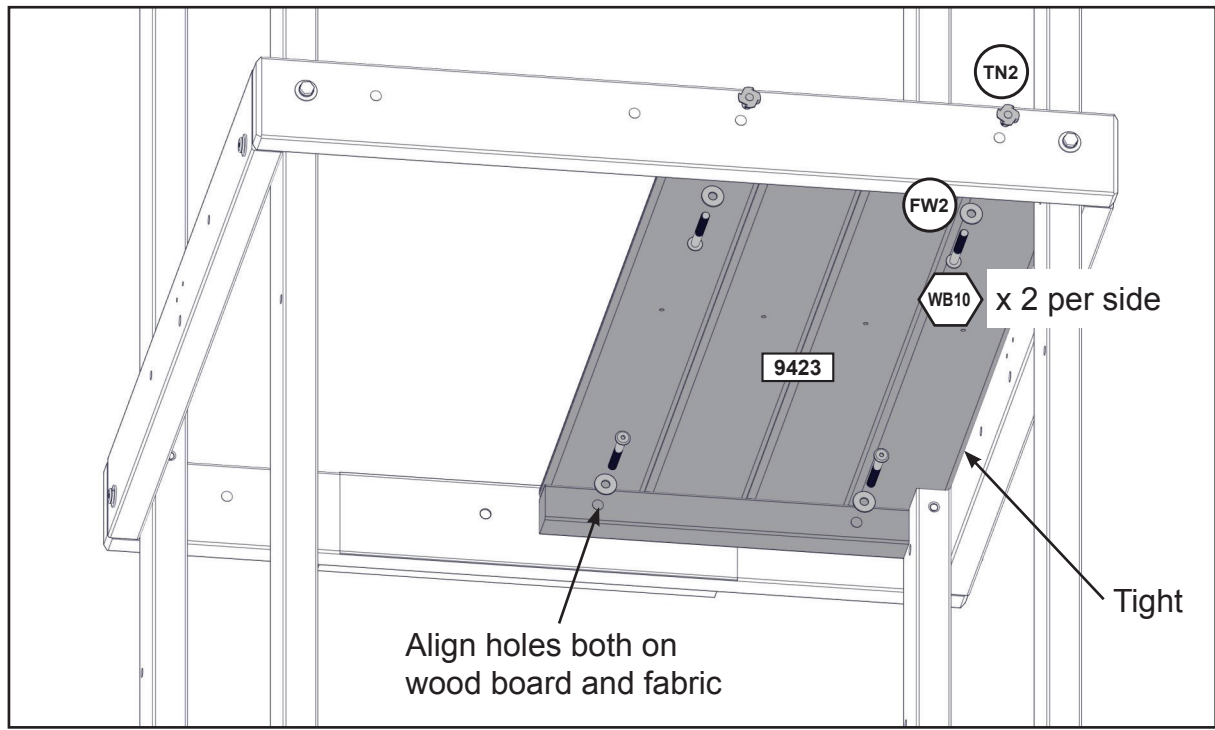
Other Parts
1 x **93210108**

9



Assemble T-Nuts first with hammer!

Note: Structure partly removed for clarity.



Rotated Underneath and Inside View

Wood Parts

1 x **9423** 54.0 x 401.6 x 914.4 mm (2 1/8" x 15 13/16" x 36")

Hardware

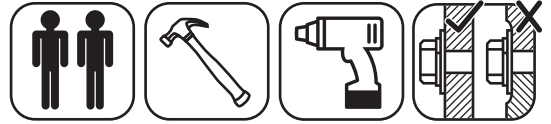
4 x **WB10** 7.9 x 66.6 mm (5/16 x 2-5/8") (FW2, TN2)

europecustomerservice@kidkraft.com
 +31 20 305 8620
 M-F from 09:00 to 17:30 (GMT+1)

parts.kidkraft.eu

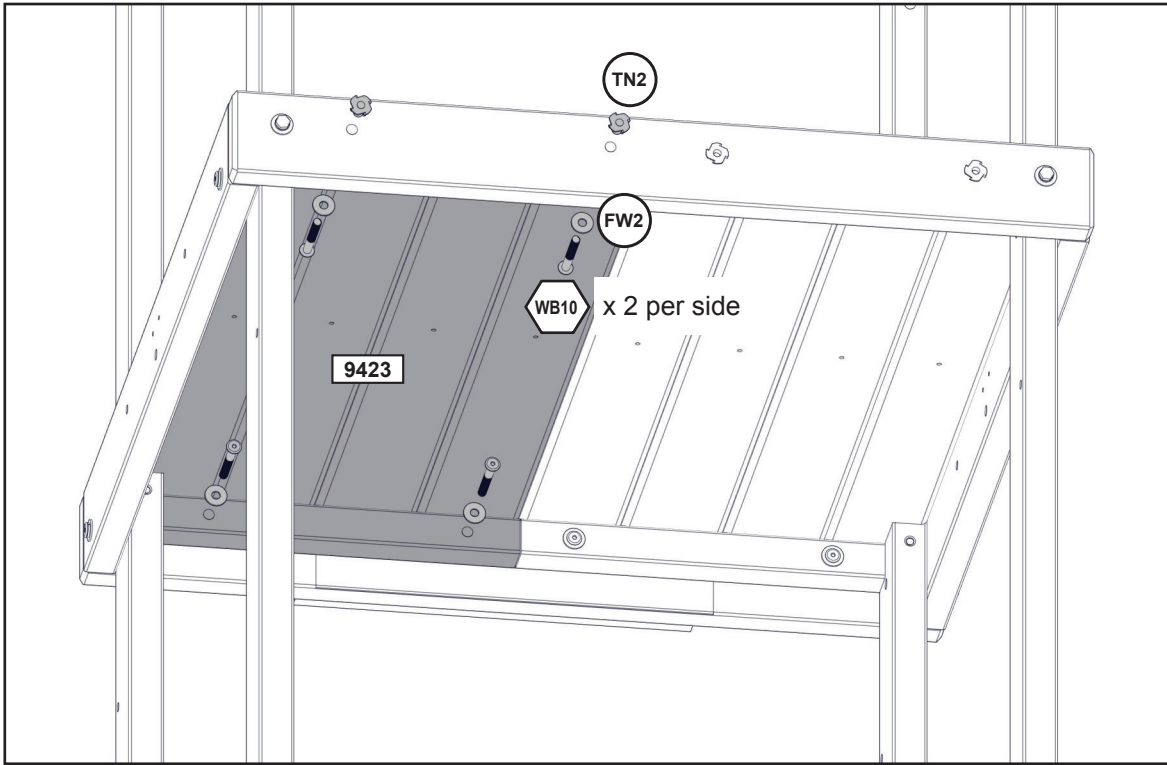
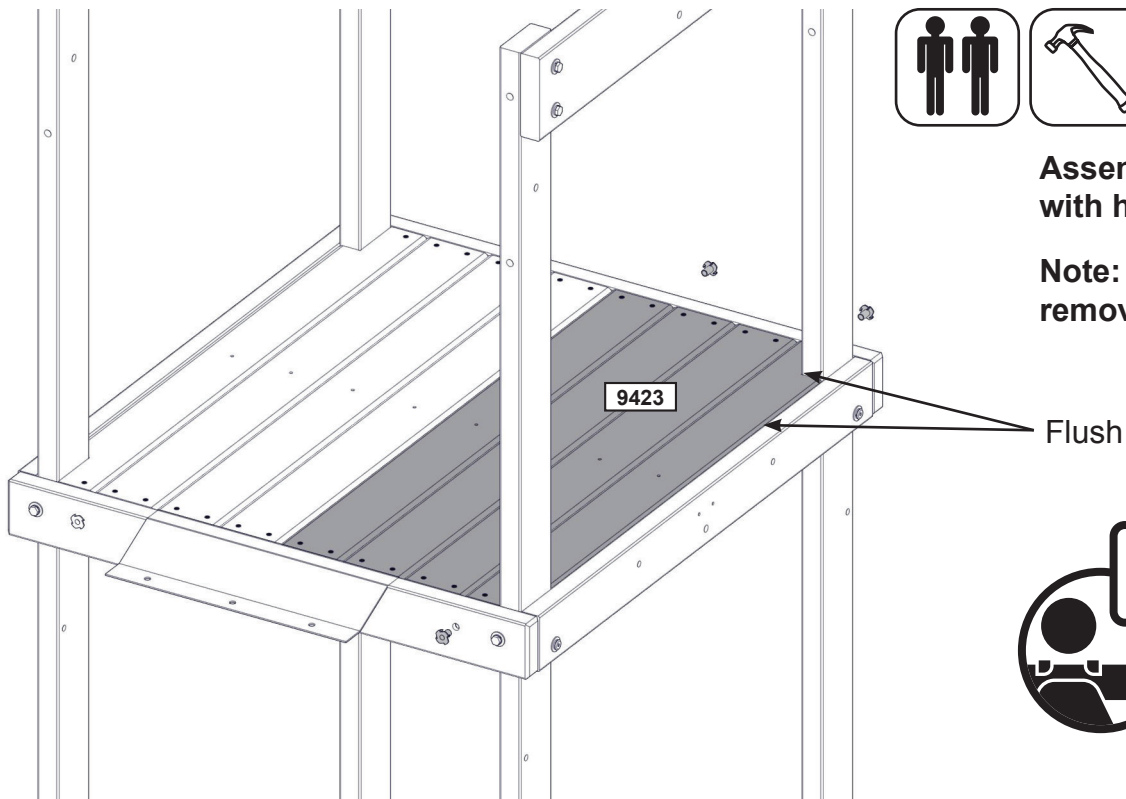


10



Assemble T-Nuts first with hammer!

Note: Structure partly removed for clarity.



Rotated Underneath and Inside View

Wood Parts

1 x 9423 54.0 x 401.6 x 914.4 mm (2 1/8" x 15 13/16" x 36")

Hardware

4 x WB10 7.9 x 66.6 mm (5/16 x 2-5/8") (FW2, TN2)

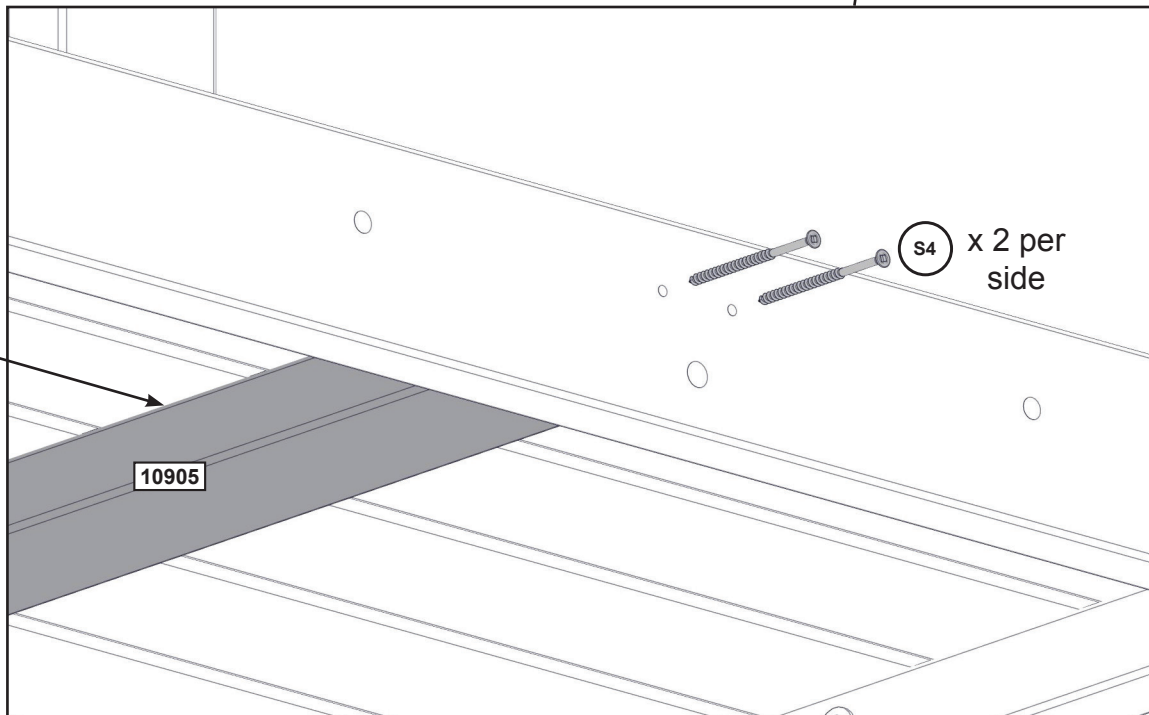
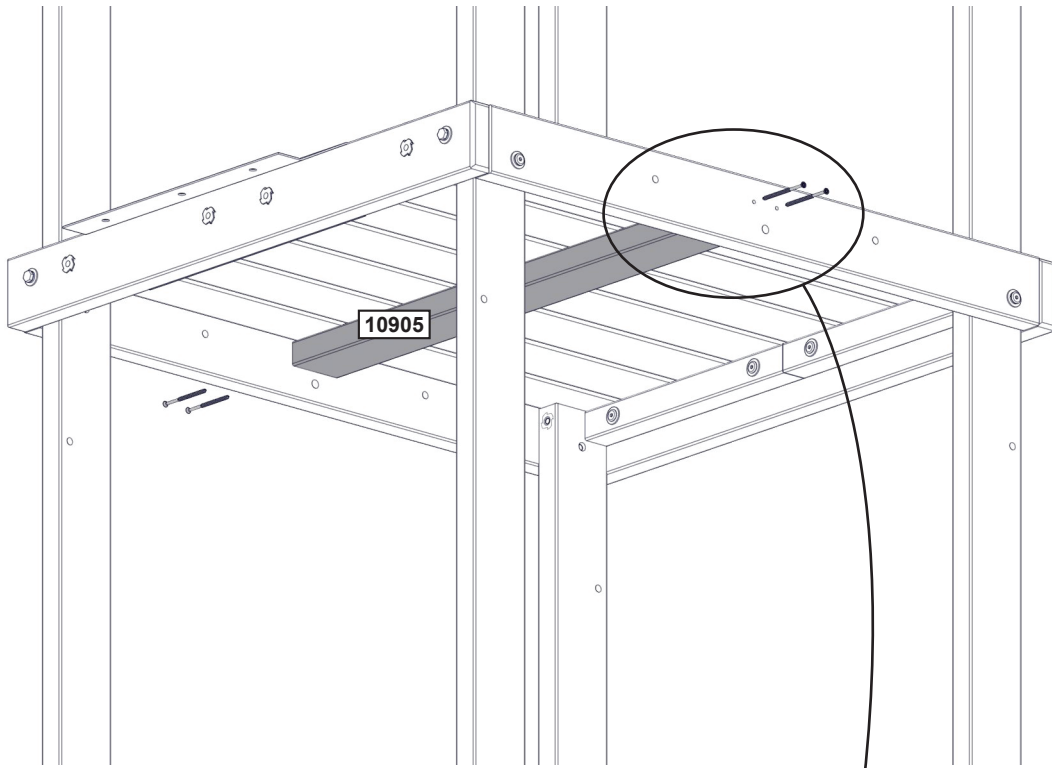


parts.kidkraft.com

customerservice@kidkraft.com
1.800.933.0771
972.385.0100

11

Note: Structure partly removed for clarity.



Wood Parts

1 x **10905** 31.8 x 76.2 x 803.1 mm (1 1/4" x 3" x 31 5/8")

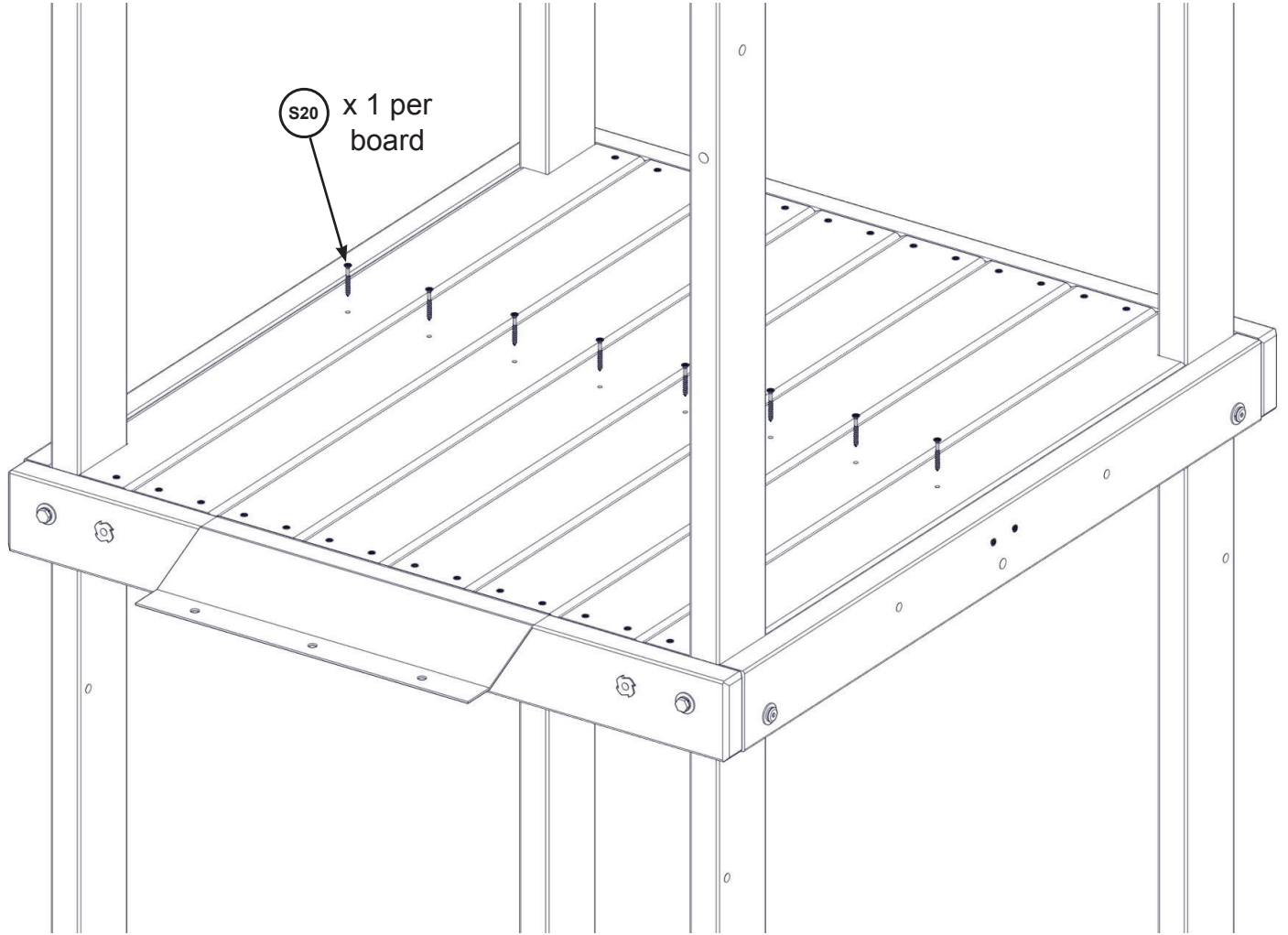
Hardware

4 x **S4** #8 x 76.2 mm (#8 x 3")






Note: Structure partly removed for clarity.

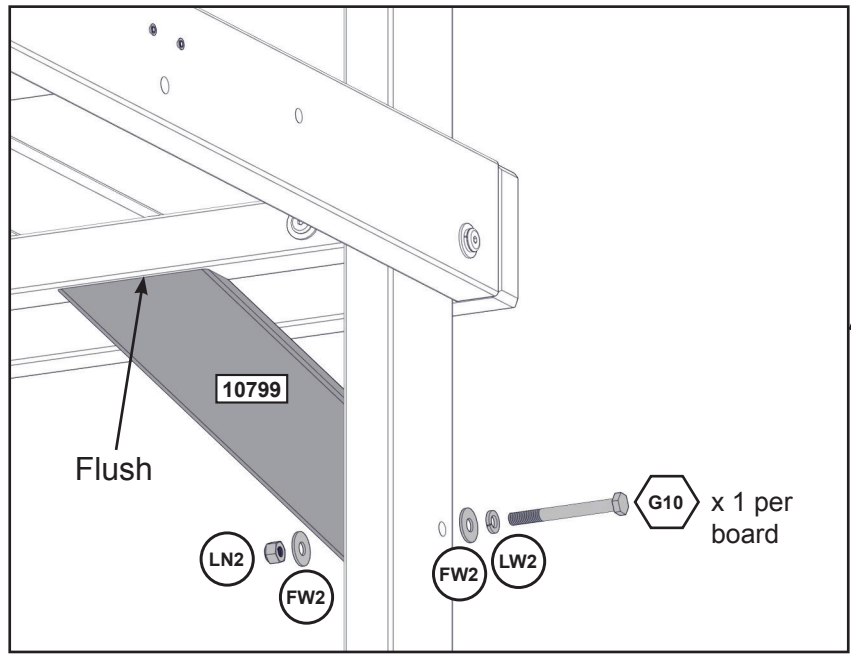
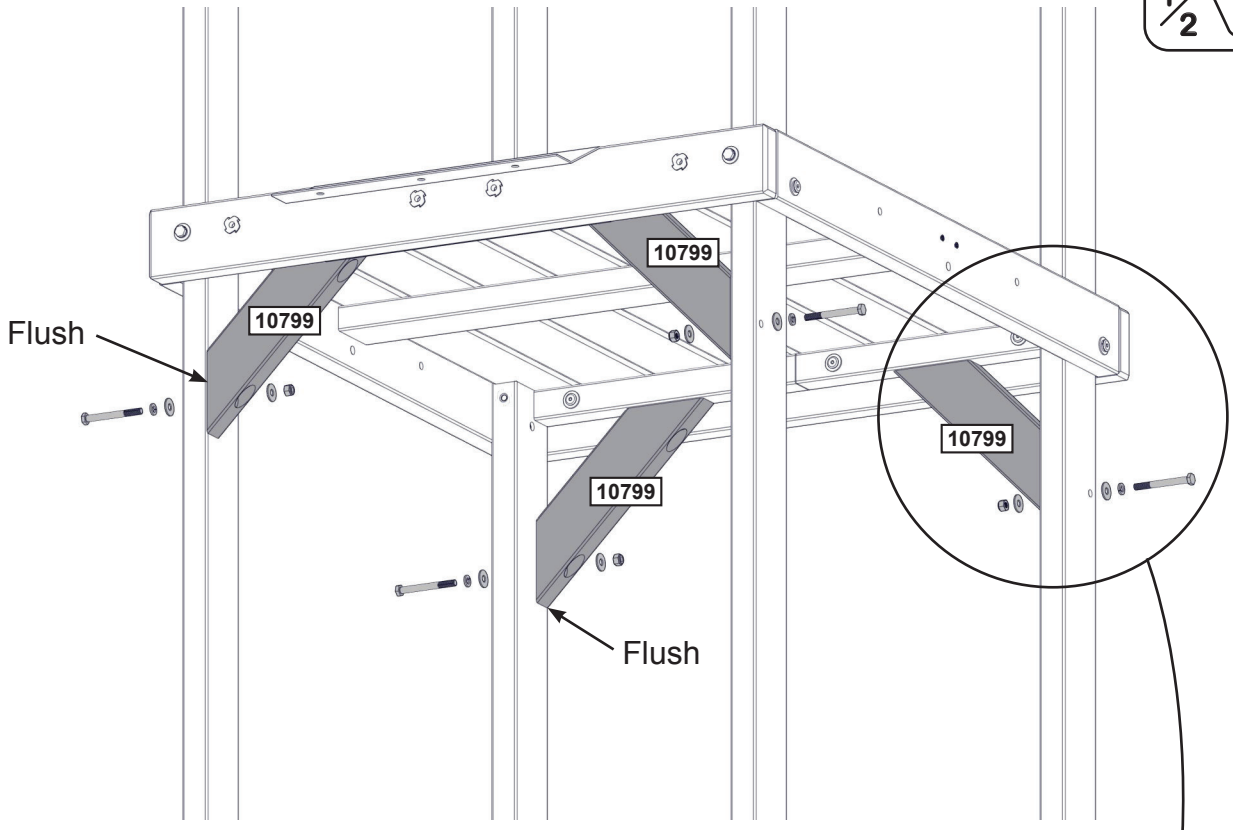
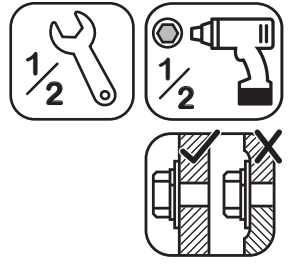


Hardware

8 x  #8 x 34.9mm (#8 x 1-3/8")

13

Note: Structure partly removed for clarity.



Underneath View

Wood Parts

4 x 10799 31.8 x 76.2 x 330.2 mm (1 1/4" x 3" x 13")

Hardware

4 x G10 7.9 x 76.2 mm (5/16" x 3") (FW2 x 2, LW2, LN2)

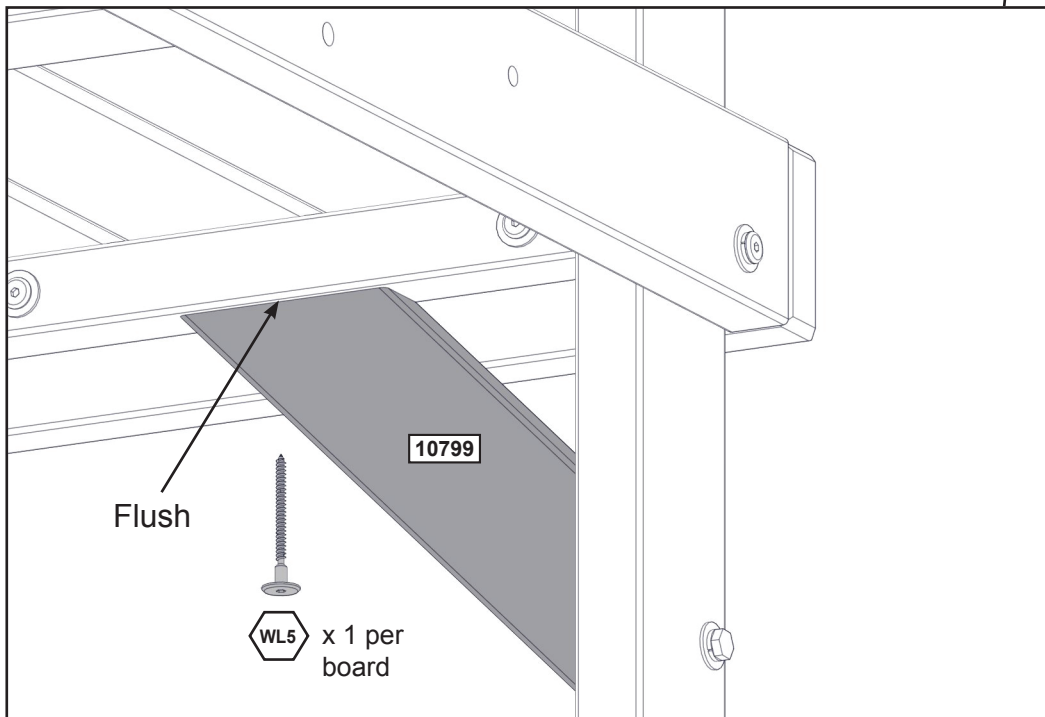
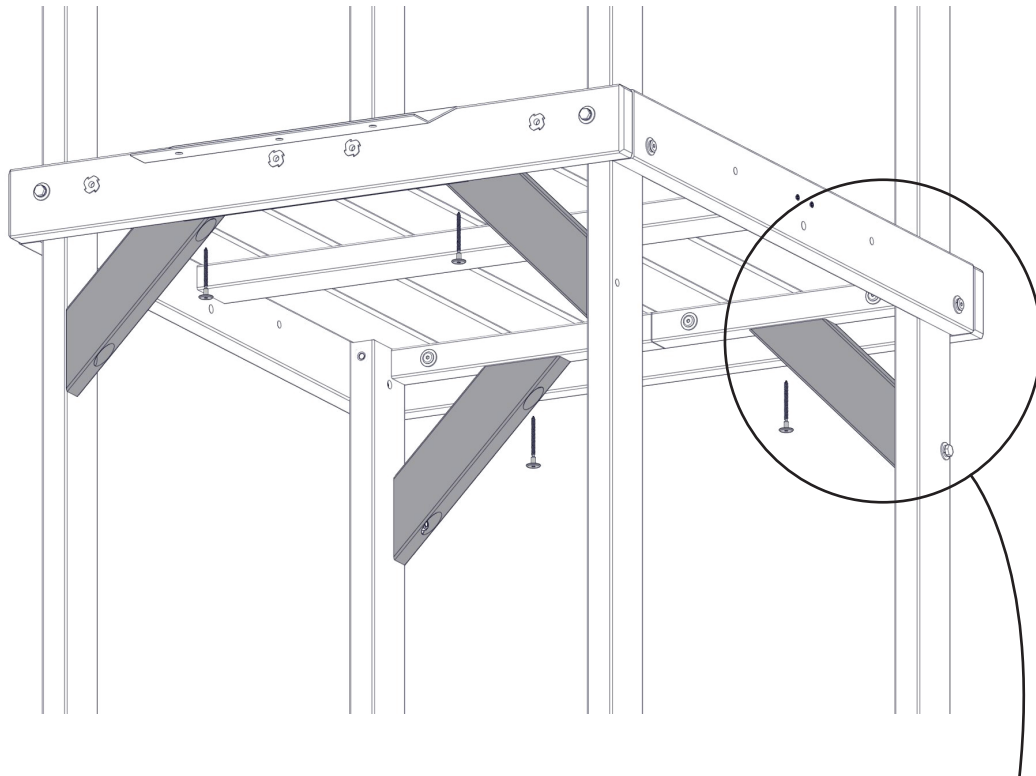
europcustomerservice@kidkraft.com
+31 20 305 8620
M-F from 09:00 to 17:30 (GMT+1)

parts.kidkraft.eu




14

Pre-drill each hole using a 1/8" drill bit for WL5.
Note: Structure partly removed for clarity.

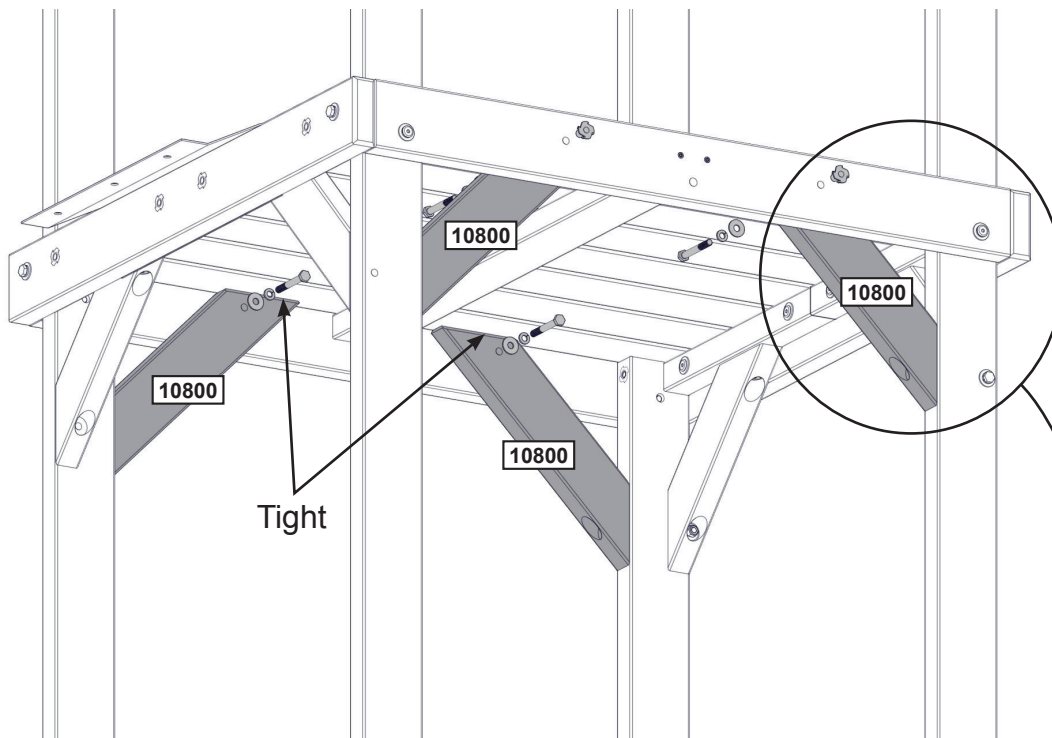
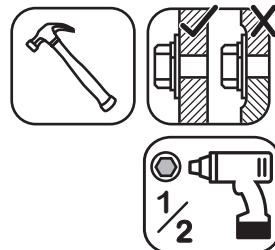


Underneath View

Hardware

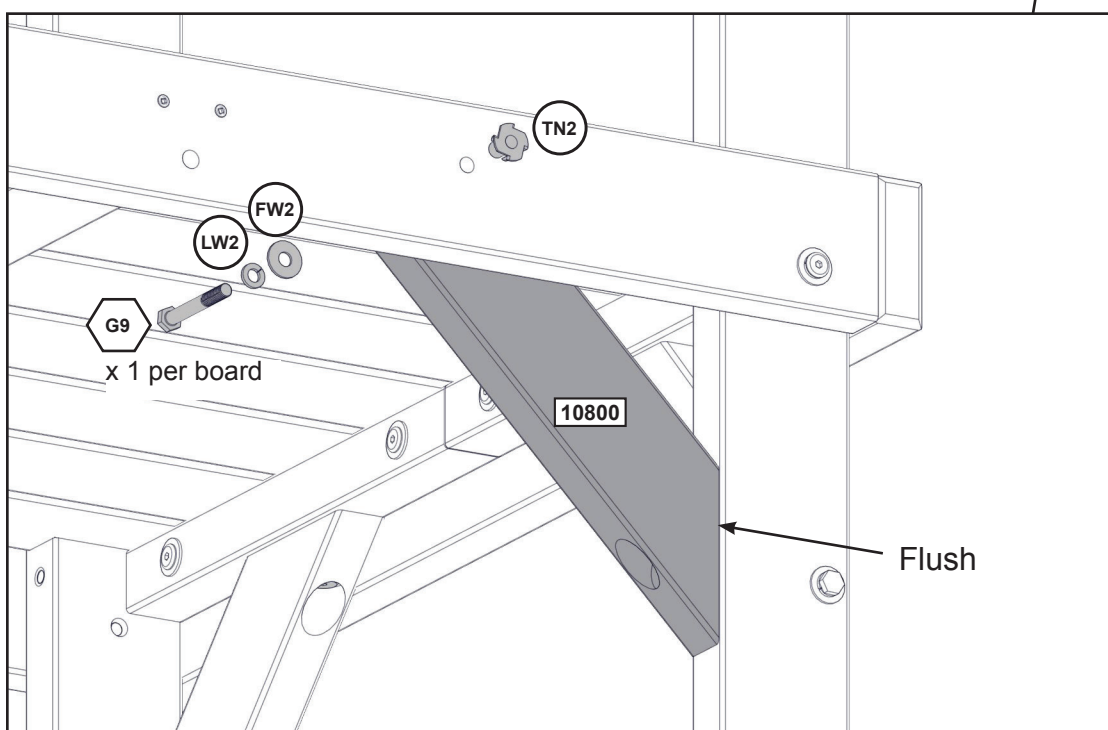
4 x  6.4 x 63.5 mm (1/4 x 2-1/2")

15



Assemble T-Nuts first with hammer!

Note: Structure partly removed for clarity.



Underneath View

Wood Parts

4 x **10800** 31.8 x 76.2 x 384.1 mm (1 1/4" x 3" x 15 1/8")

Hardware

4 x **G9** 7.9 x 63.5 mm (5/16" x 2-1/2") (FW2, LW2, TN2)

europcustomerservice@kidkraft.com
+31 20 305 8620
M-F from 09:00 to 17:30 (GMT+1)

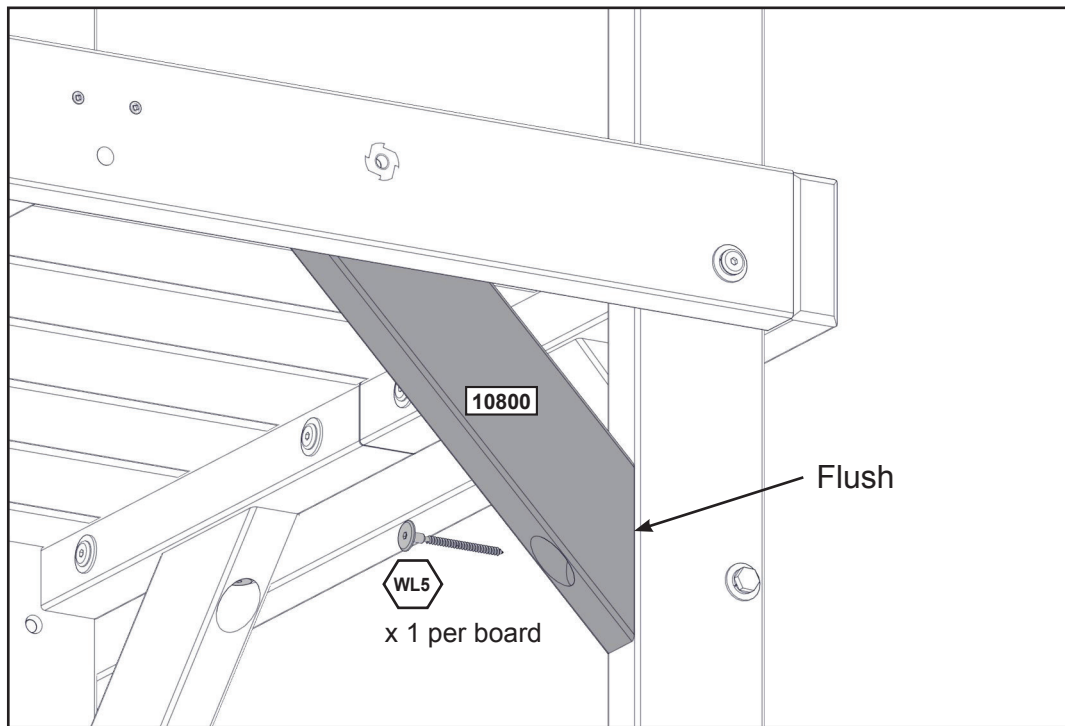
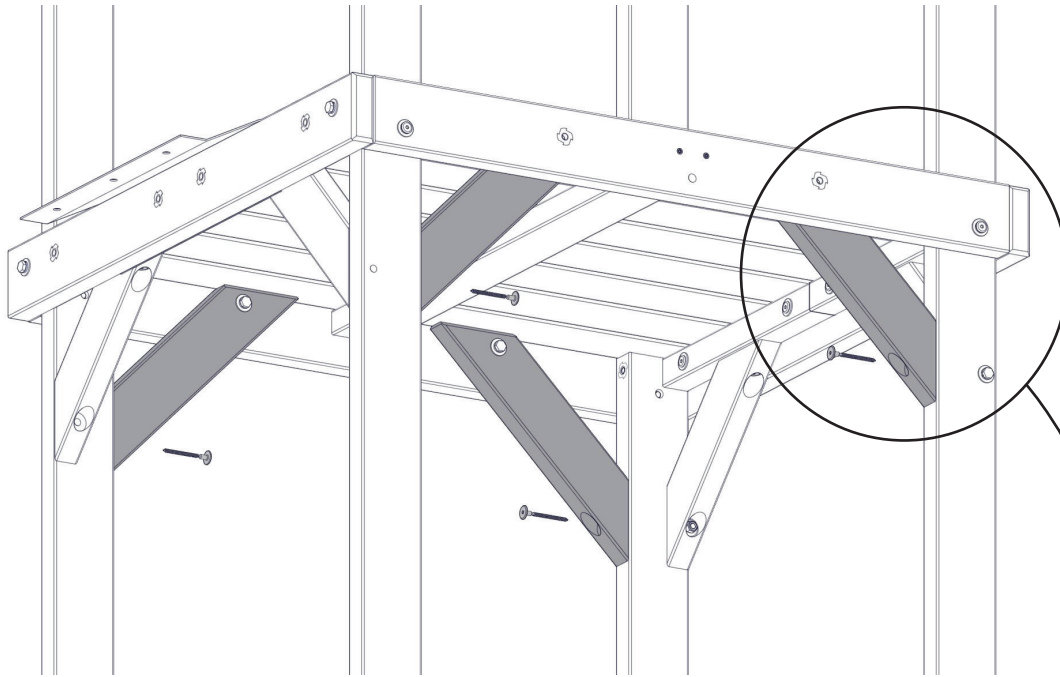
parts.kidkraft.eu



16


Pre-drill each hole using a 1/8" drill bit for WL5.

Note: Structure partly removed for clarity.



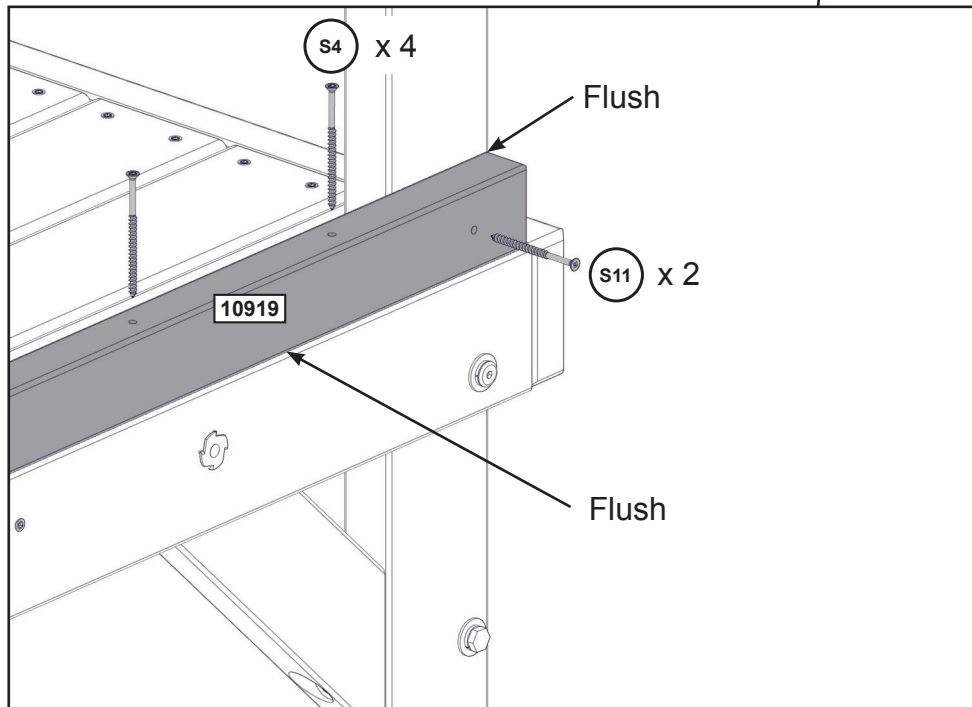
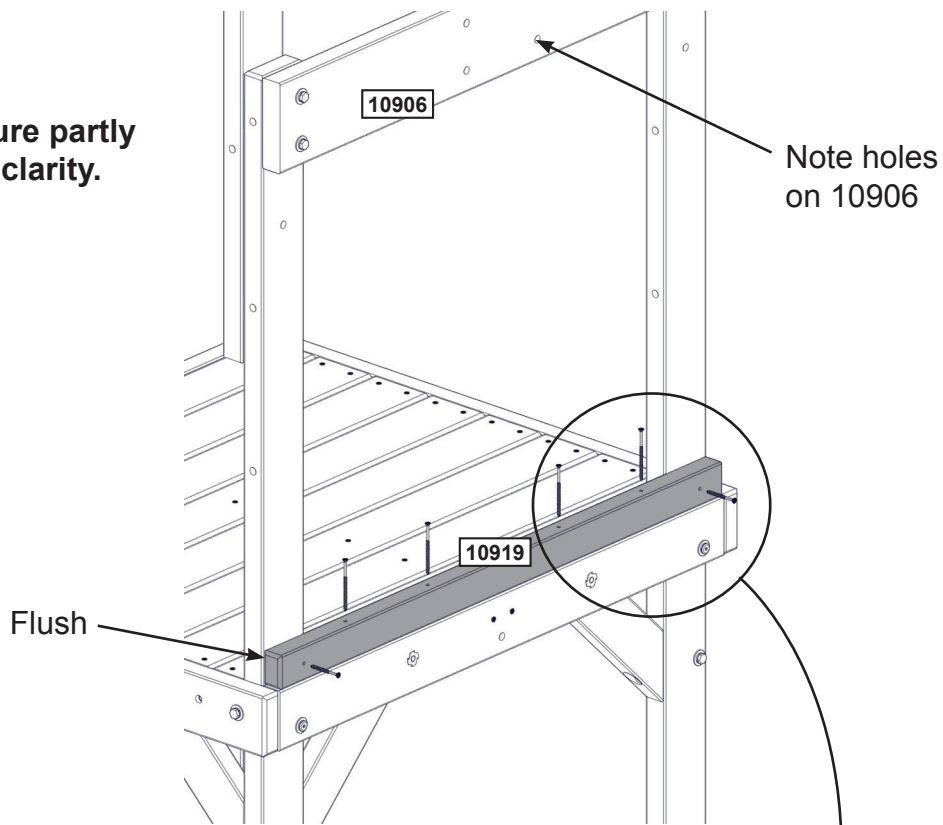
Underneath View

Hardware

4 x  6.4 x 63.5 mm (1/4 x 2-1/2")

17

Note: Structure partly removed for clarity.



Wood Parts

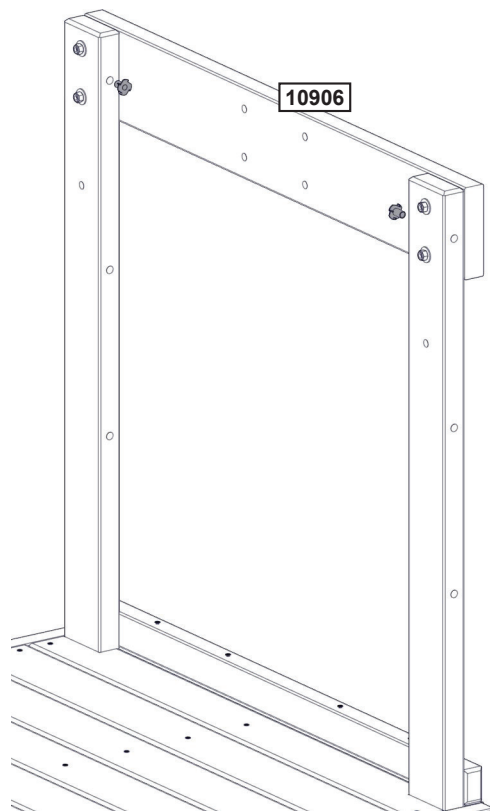
1 x 10919 31.8 x 50.8 x 914.4 mm (1 1/4" x 2" x 36")

Hardware

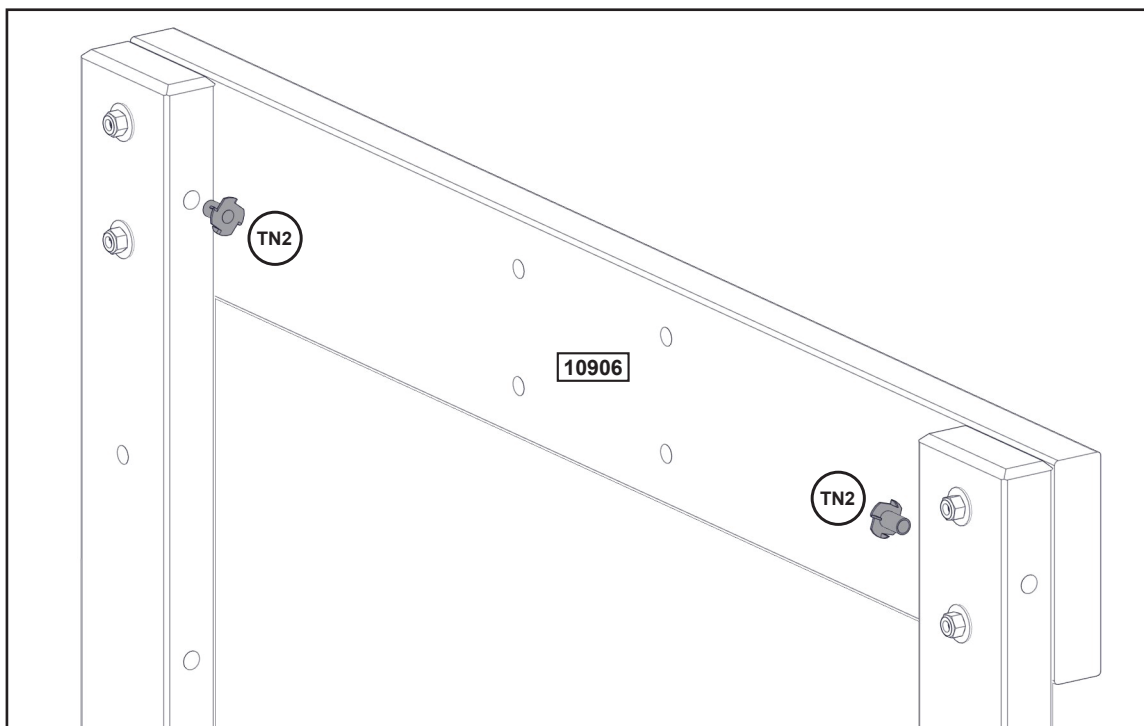
4 x S4 #8 x 76.2 mm (#8 x 3")

2 x S11 #8 x 50.8 mm (#8 x 2")





Assemble T-Nuts first with hammer!

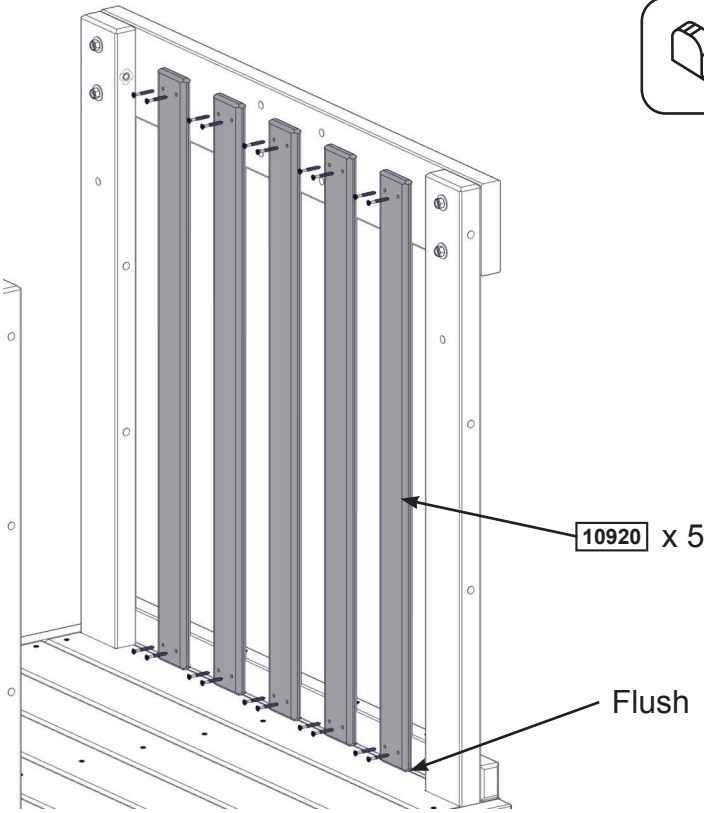


Hardware

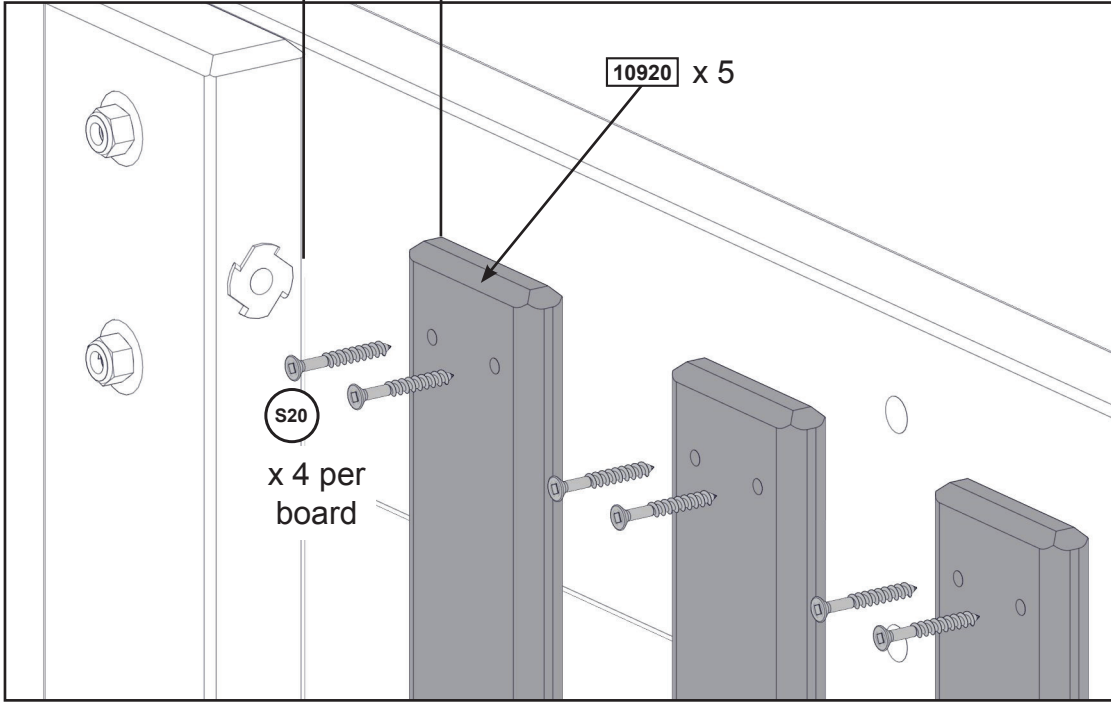
2 x 



Note: Structure partly removed for clarity.



2 3/4" (70 mm) TYP 5 Places



Wood Parts

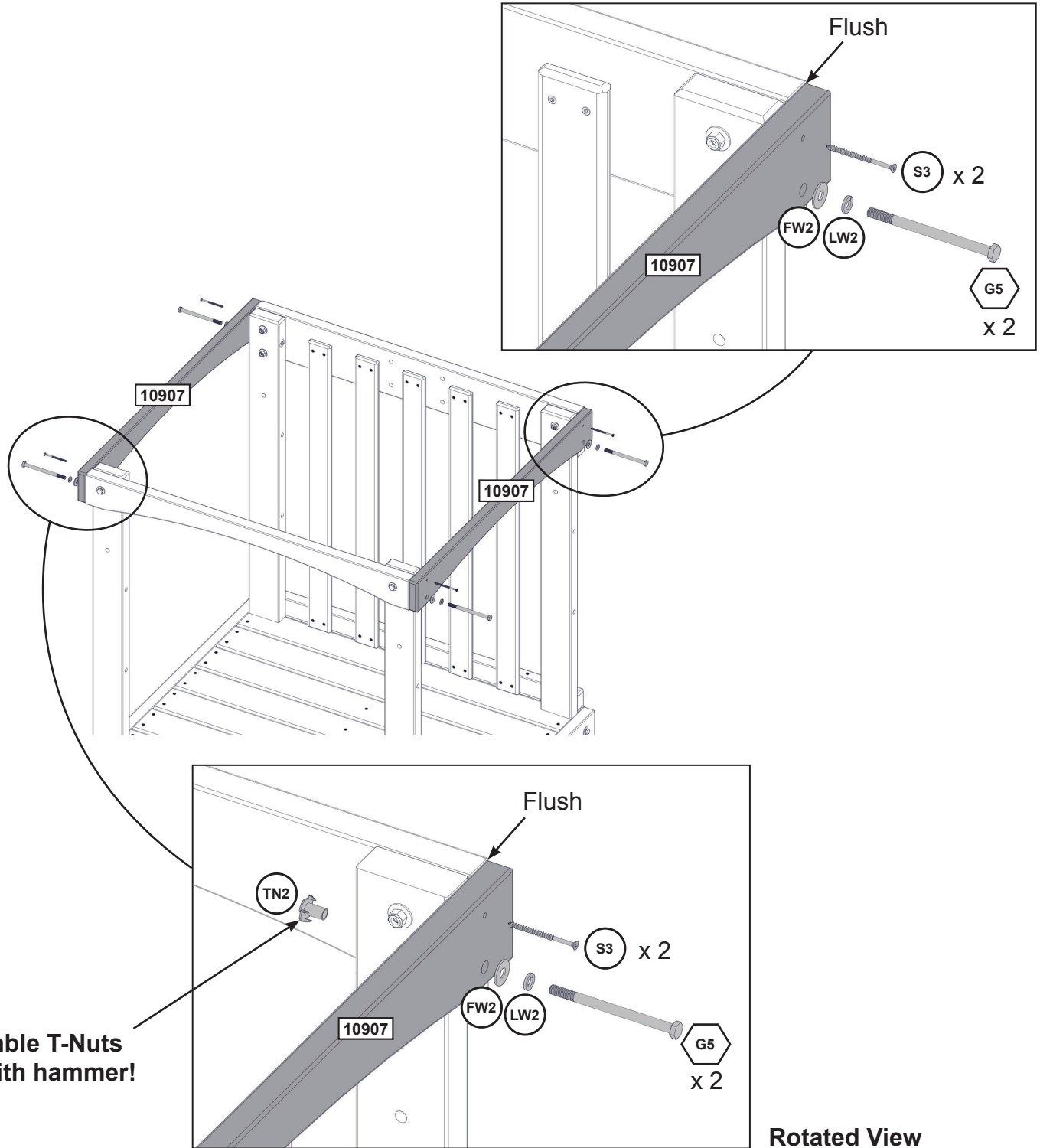
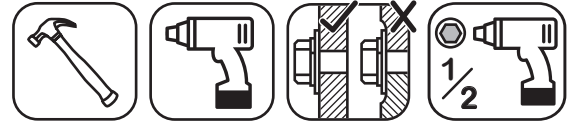
5 x 10920 15.9 x 63.5 x 856.9 mm (5/8" x 2 1/2" x 33 3/4")

Hardware

20 x S20 #8 x 34.9mm (#8 x 1-3/8")



Note: Structure partly removed for clarity.



Assemble T-Nuts first with hammer!

Rotated View

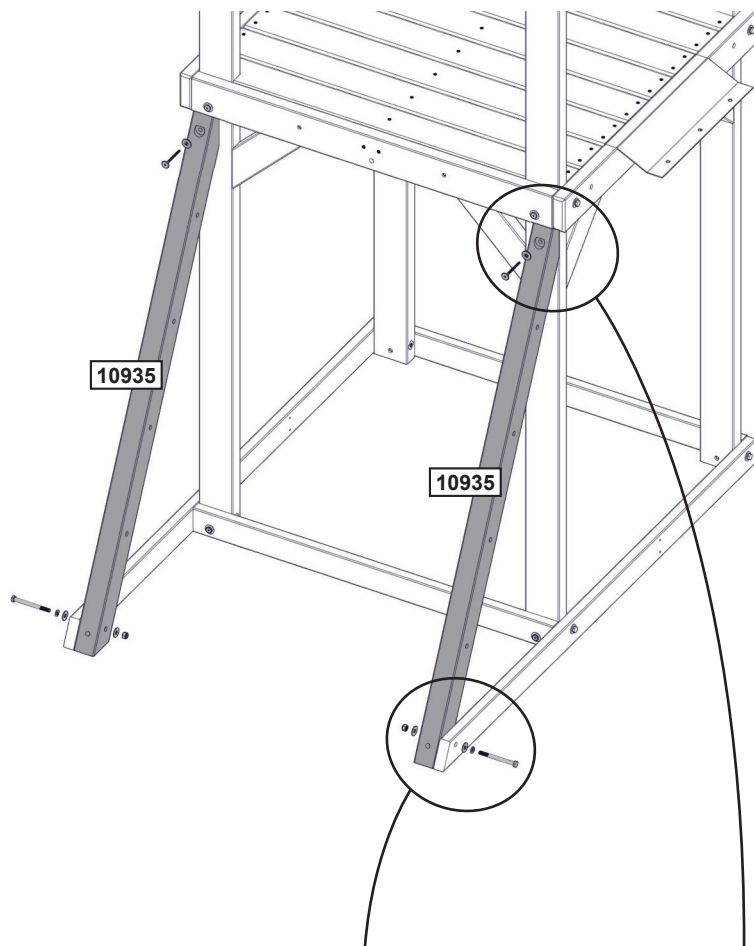
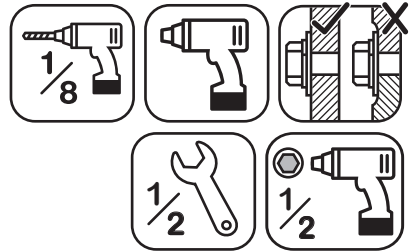
Wood Parts

2 x 10907 25.4 x 88.9 x 866.7 mm (1" x 3 1/2" x 34 1/8")

Hardware

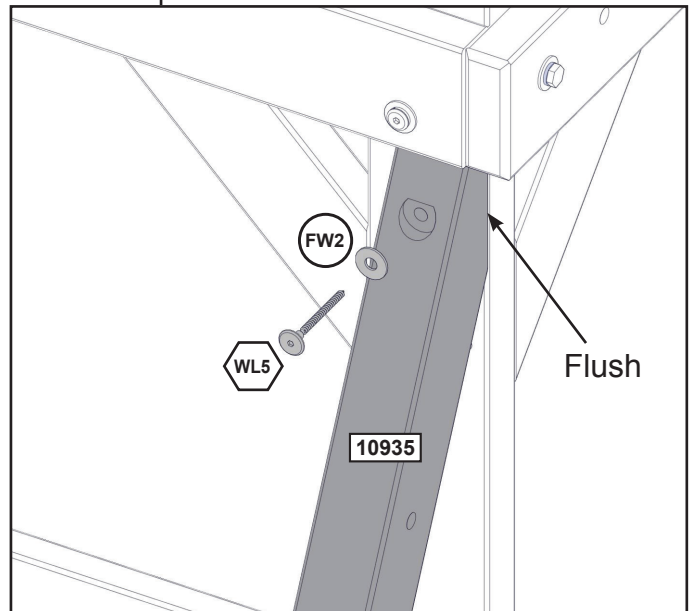
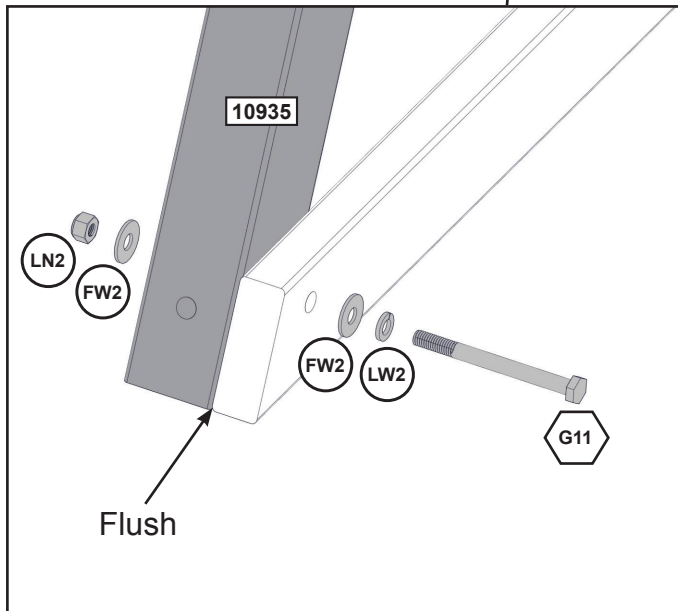
- 2 x G5 7.9 x 114.3 mm (5/16 x 4-1/2") (LW2, FW2)
- 2 x G5 7.9 x 114.3 mm (5/16 x 4-1/2") (LW2, FW2, TN2)
- 4 x S3 #8 x 63.5 mm (#8 x 2-1/2")

21



Pre-drill each hole using a 1/8" drill bit for WL5.

Note: Structure partly removed for clarity.



Wood Parts

2 x 10935 50.8 x 63.5 x 1257.5 mm (2" x 2 1/2" x 49 1/2")

Hardware

2 x G11 7.9 x 88.9 mm (5/16 x 3-1/2") (FW2 x 2, LW2, LN2)

2 x WL5 6.4 x 63.5 mm (1/4 x 2-1/2") (FW2)

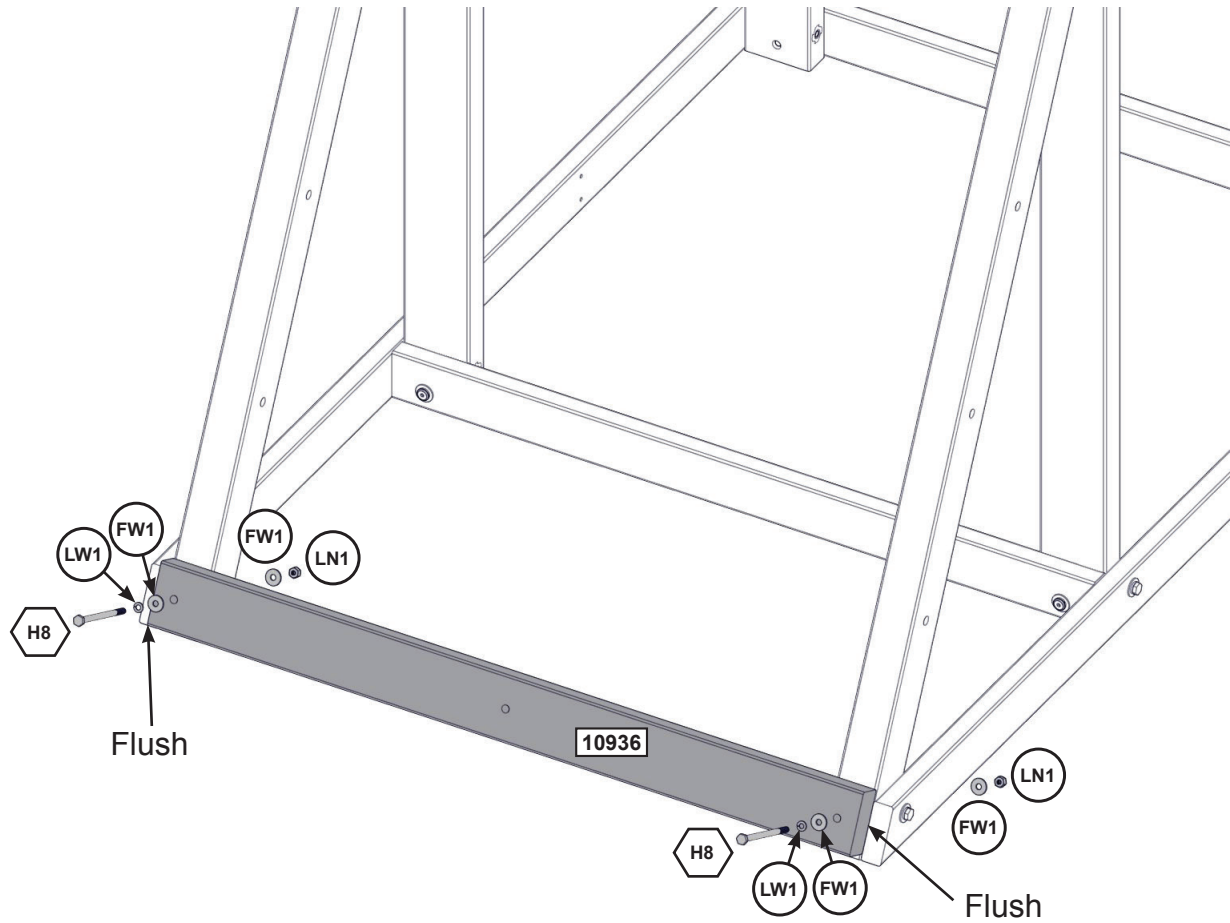
europecustomerservice@kidkraft.com
 +31 20 305 8620
 M-F from 09:00 to 17:30 (GMT+1)

parts.kidkraft.eu





Note: Structure partly removed for clarity.



Wood Parts

1 x **10936** 31.8 x 76.2 x 914.4 mm (1 1/4" x 3" x 36")

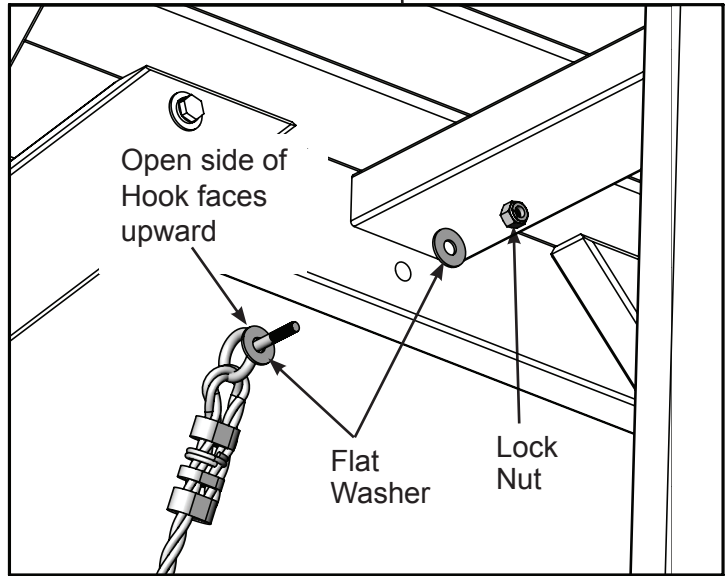
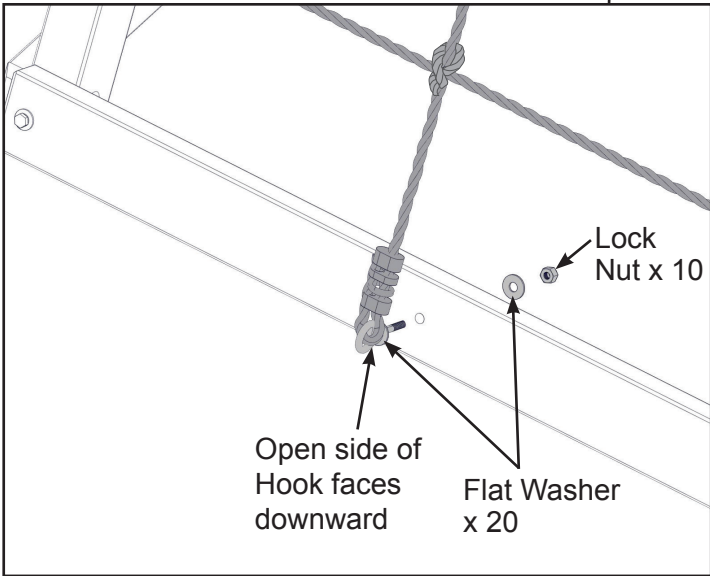
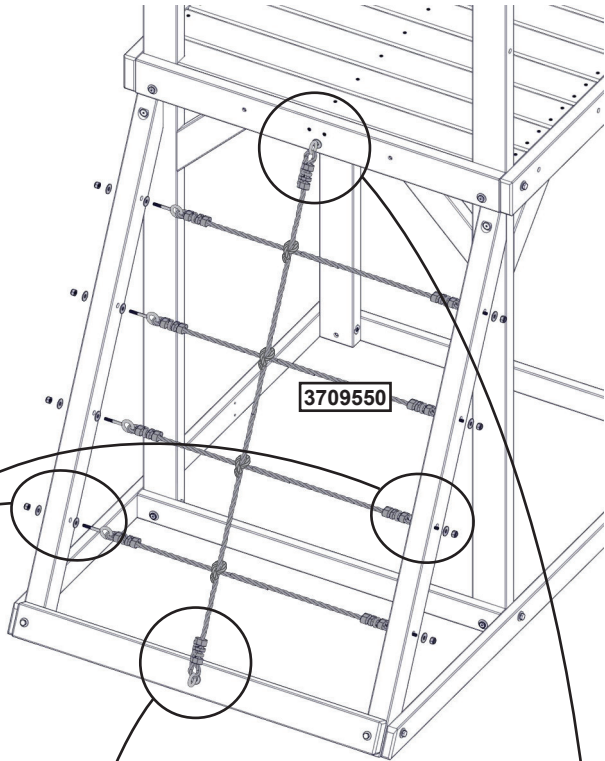
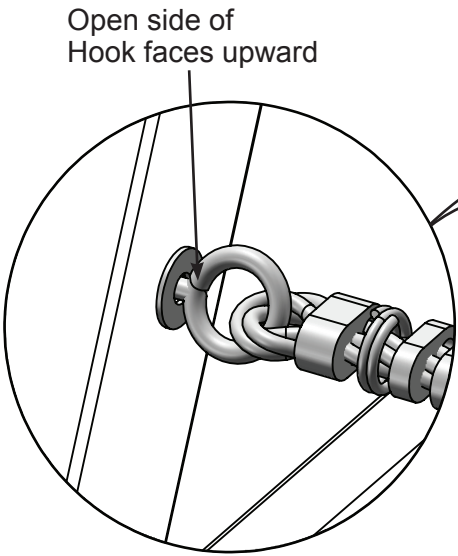
Hardware

2 x **H8** 6.4 x 108 mm (1/4 x 4-1/4") (FW1 x 2, LW1, LN1)



Fasteners included in rope bag.

Note: Structure partly removed for clarity.



Inside View

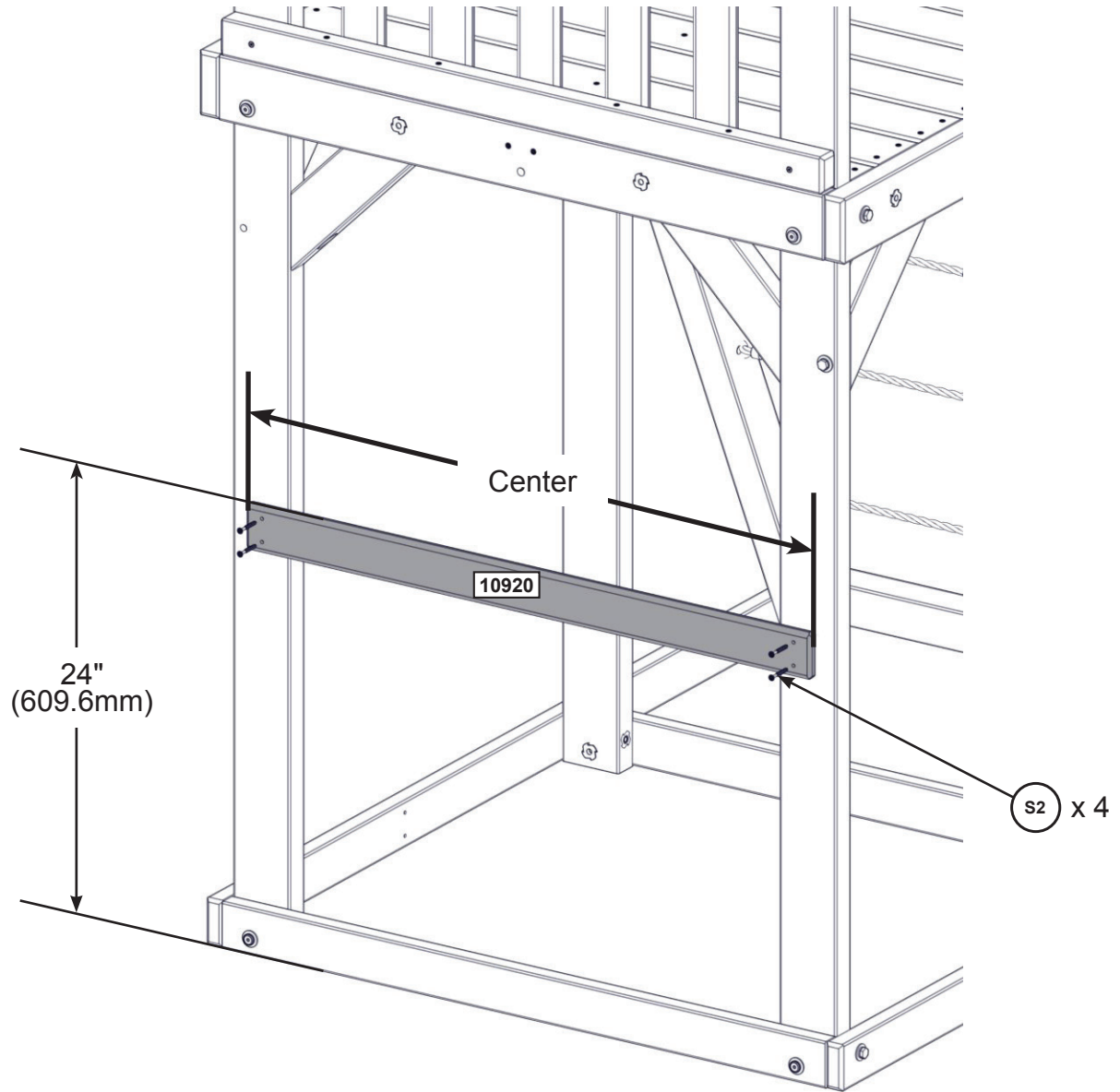
Other Parts

1 x 3709550





Note: Structure partly removed for clarity.



Wood Parts

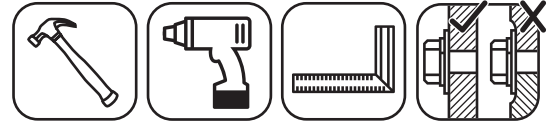
1 x 10920 15.9 x 63.5 x 856.9 mm (5/8" x 2 1/2" x 33 3/4")

Hardware

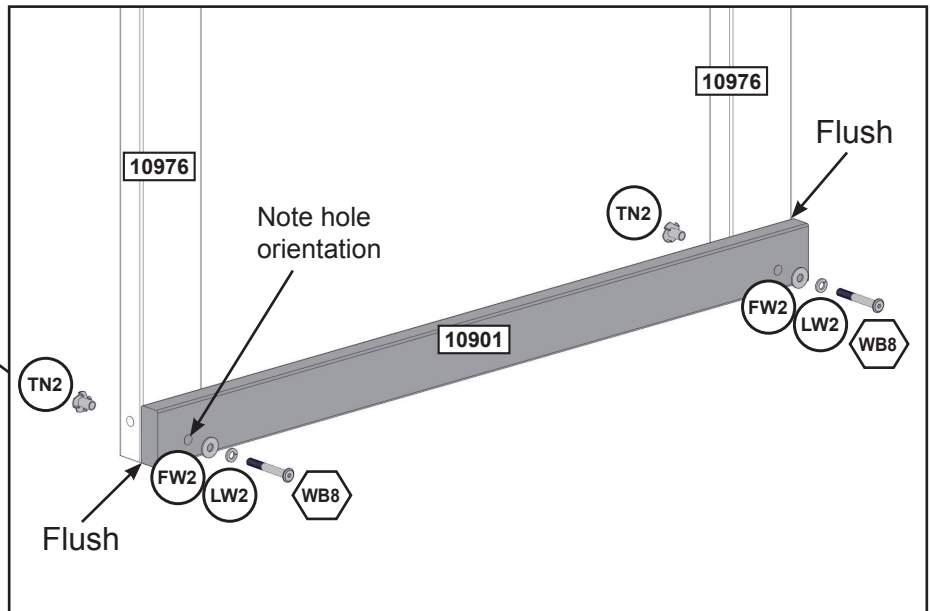
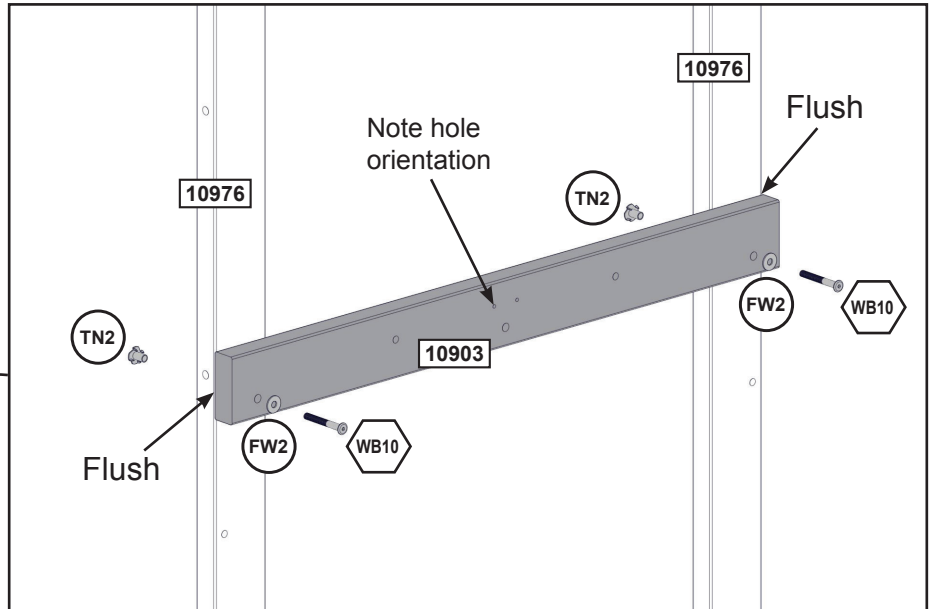
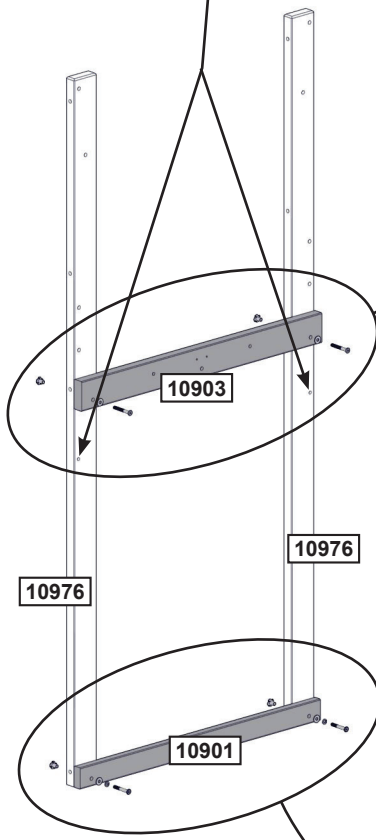
4 x S2 #8 x 38.1 mm (#8 x 1-1/2")

25

Make sure the assembly is square.
Note hole orientation.



Assemble T-Nuts first with hammer!



Wood Parts

- 1 x **10901** 25.4 x 63.5 x 914.4 mm (1" x 2 1/2" x 36")
- 2 x **10976** 34.9 x 85.7 x 2114.6 mm (1 3/8" x 3 3/8" x 83 1/4")
- 1 x **10903** 31.8 x 88.9 x 914.4 mm (1 1/4" x 3 1/2" x 36")

Hardware

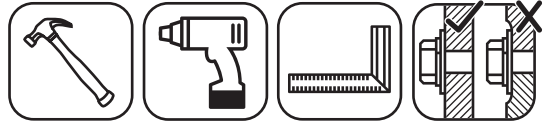
- 2 x **WB8** 7.9 x 60.3 mm (5/16 x 2-3/8") (LW2, FW2, TN2)
- 2 x **WB10** 7.9 x 66.6 mm (5/16 x 2-5/8") (FW2, TN2)

europecustomerservice@kidkraft.com
+31 20 305 8620
M-F from 09:00 to 17:30 (GMT+1)

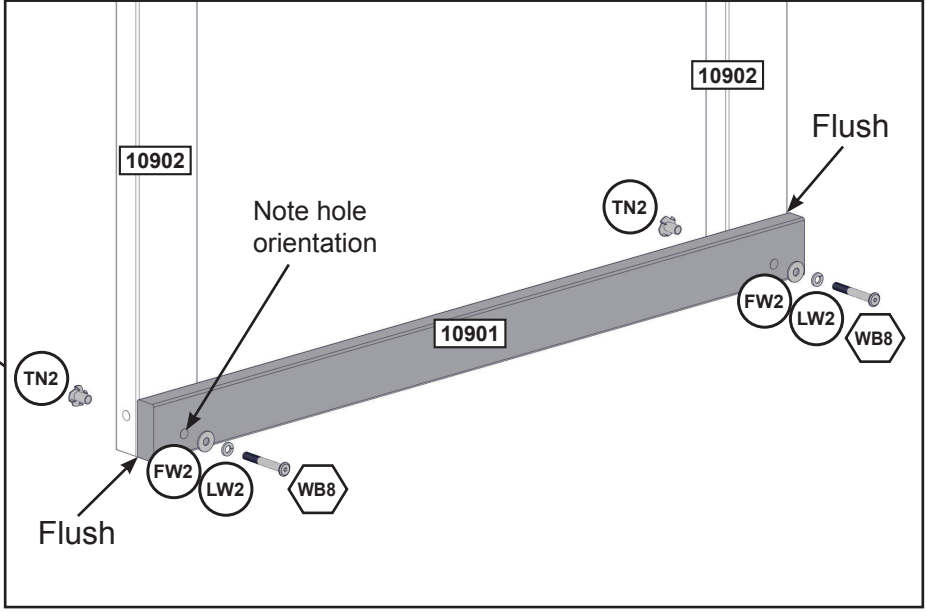
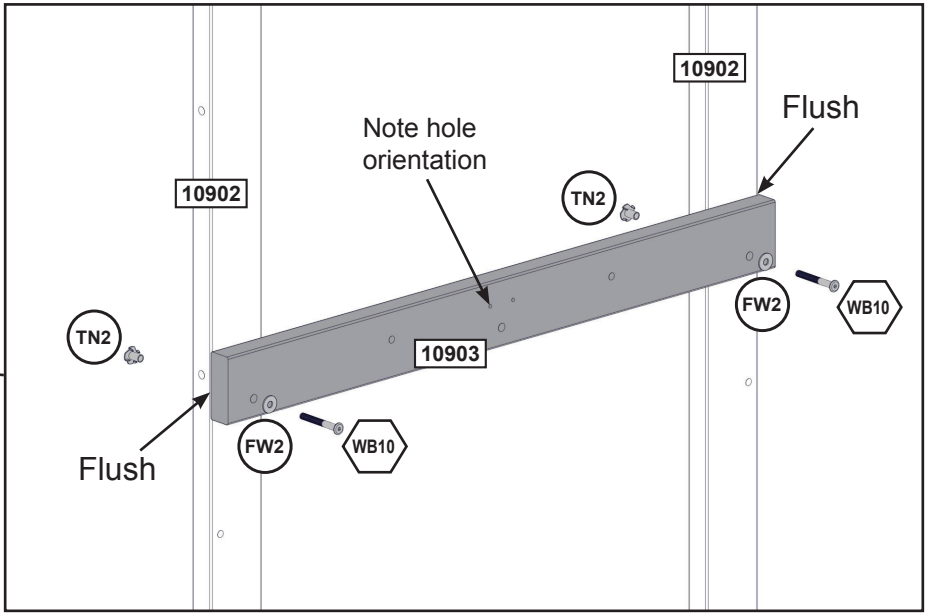
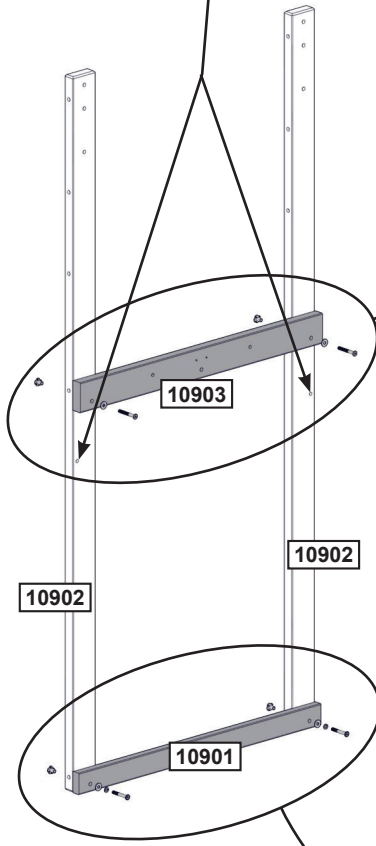
parts.kidkraft.eu



Make sure the assembly is square.
Note hole orientation.



Assemble T-Nuts first with hammer!



Wood Parts

- 1 x 10901 25.4 x 63.5 x 914.4 mm (1" x 2 1/2" x 36")
- 2 x 10902 34.9 x 85.7 x 2114.6 mm (1 3/8" x 3 3/8" x 83 1/4")
- 1 x 10903 31.8 x 88.9 x 914.4 mm (1 1/4" x 3 1/2" x 36")

Hardware

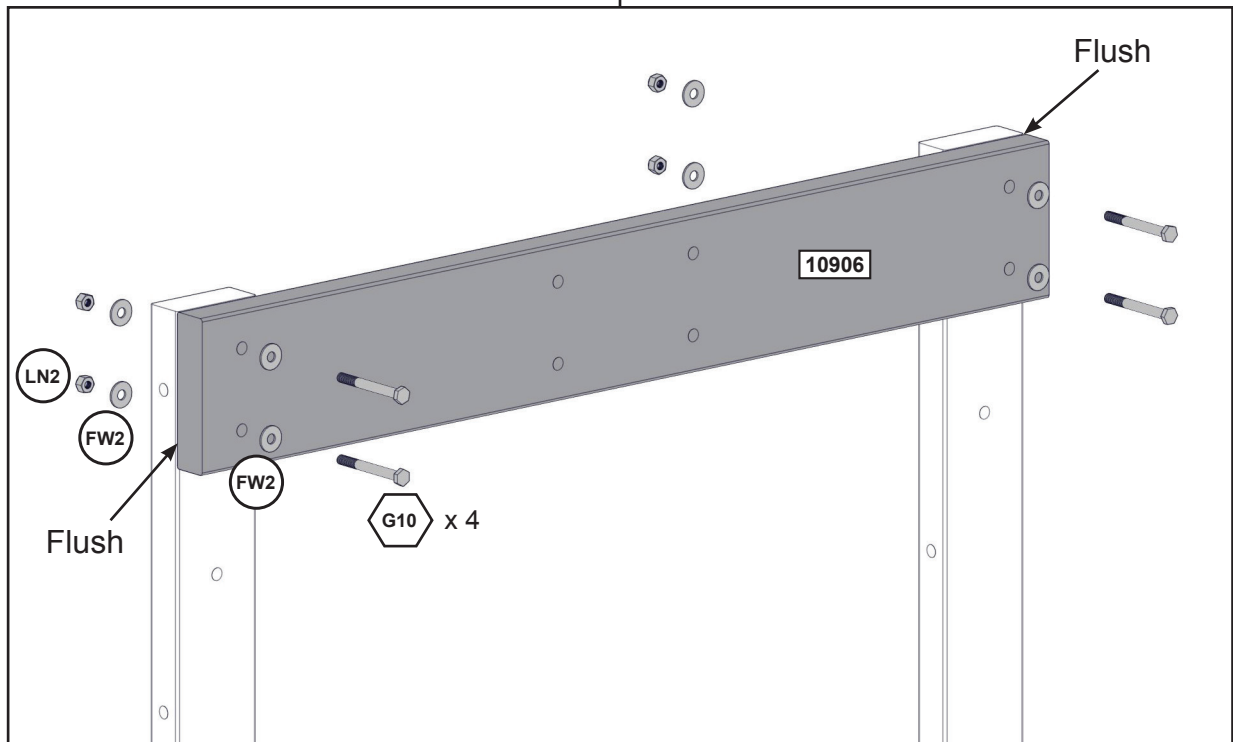
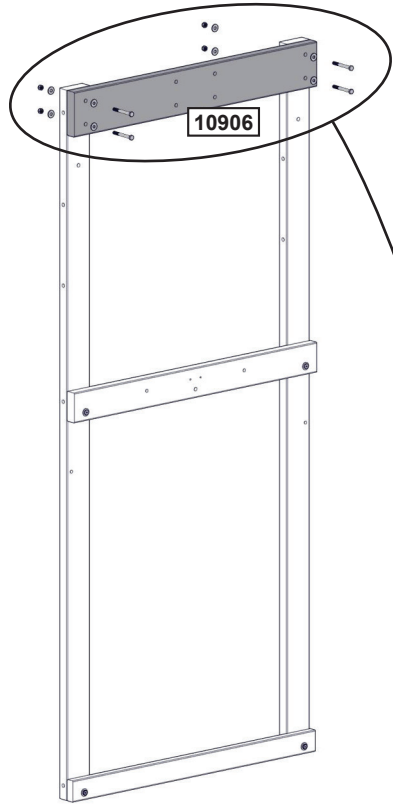
- 2 x WB8 7.9 x 60.3 mm (5/16 x 2-3/8") (LW2, FW2, TN2)
- 2 x WB10 7.9 x 66.6 mm (5/16 x 2-5/8") (FW2, TN2)



parts.kidkraft.com

customerservice@kidkraft.com
1.800.933.0771
972.385.0100

27



Wood Parts

1 x **10906** 31.8 x 133.4 x 914.4 mm (1 1/4" x 5 1/4" x 36")

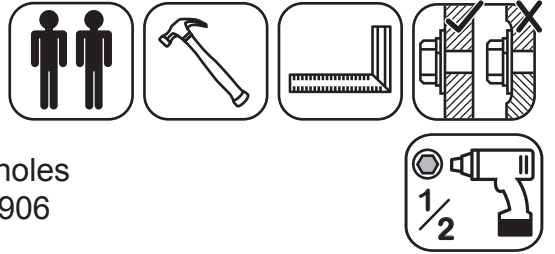
Hardware

4 x **G10** 7.9 x 76.2mm (5/16" x 3") (FW2 x 2, LN2)

europcustomerservice@kidkraft.com
+31 20 305 8620
M-F from 09:00 to 17:30 (GMT+1)

parts.kidkraft.eu

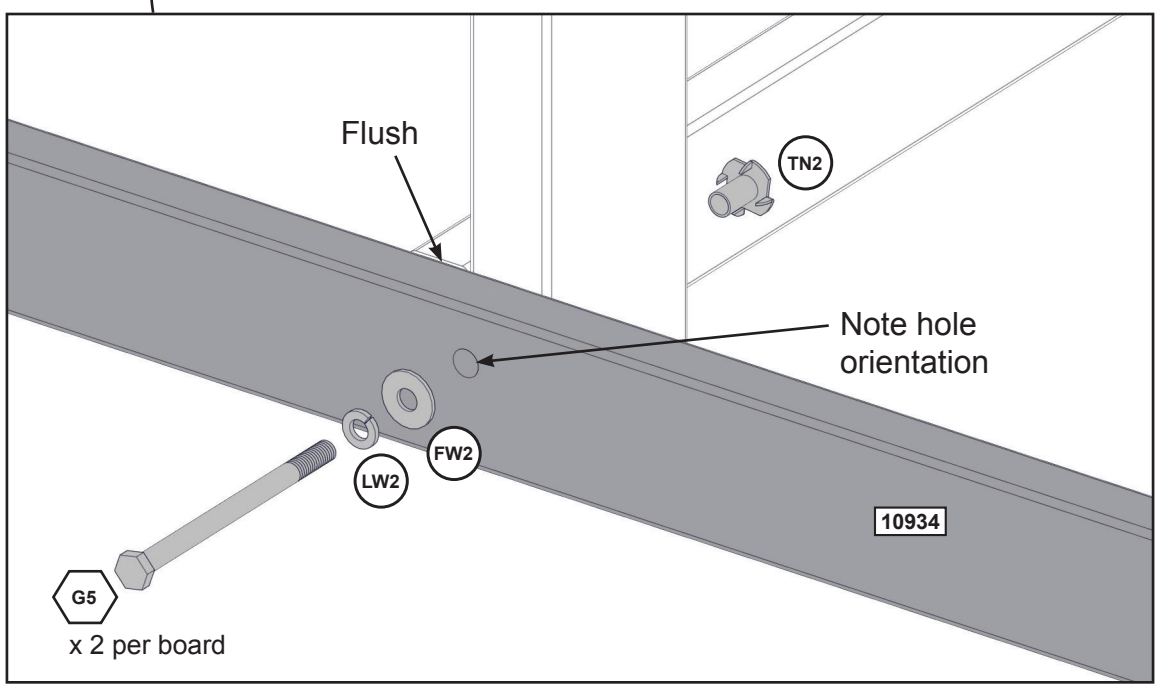
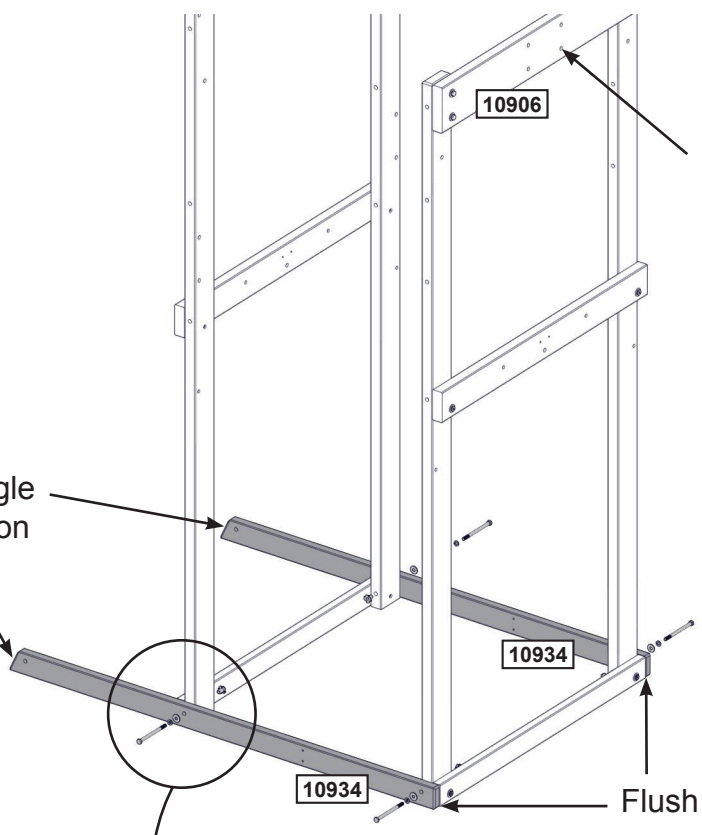




Note holes on 10906

Assemble T-Nuts first with hammer!
 Make sure the assembly is square.

Note angle orientation



Wood Parts

2 x 10934 25.4 x 63.5 x 1380 mm (1" x 2 1/2" x 54 5/16")

Hardware

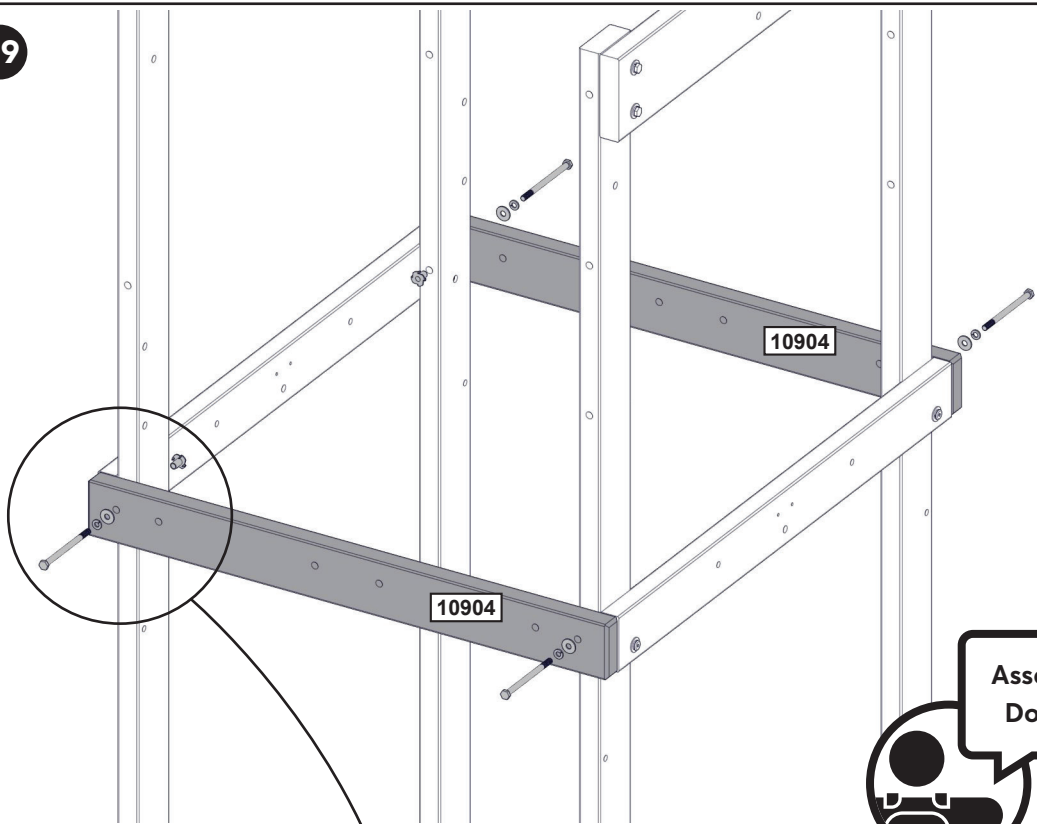
4 x G5 7.9 x 114.3 mm (5/16 x 4-1/2") (LW2, FW2, TN2)



parts.kidkraft.com

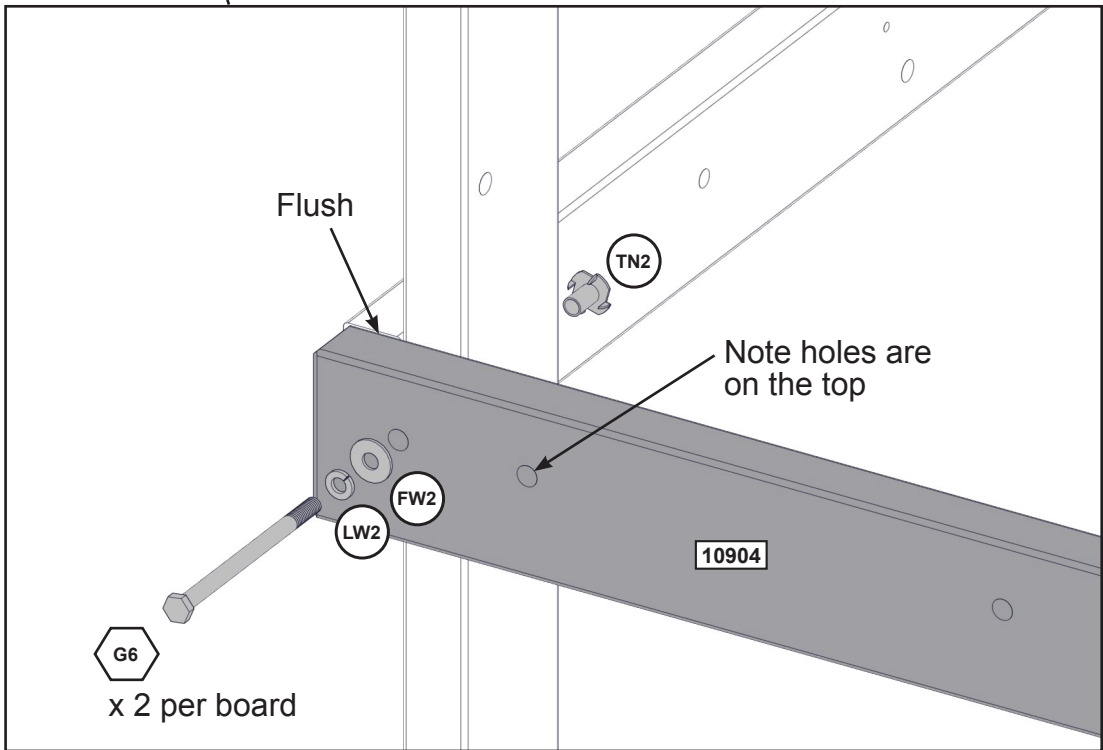
customerservice@kidkraft.com
 1.800.933.0771
 972.385.0100

29



Note: Structure partly removed for clarity.

**Assemble T-Nuts first with hammer!
Do not tighten bolts until Step 32.**



Wood Parts

2 x **10904** 31.8 x 88.9 x 866.7 mm (1 1/4" x 3 1/2" x 34 1/8")

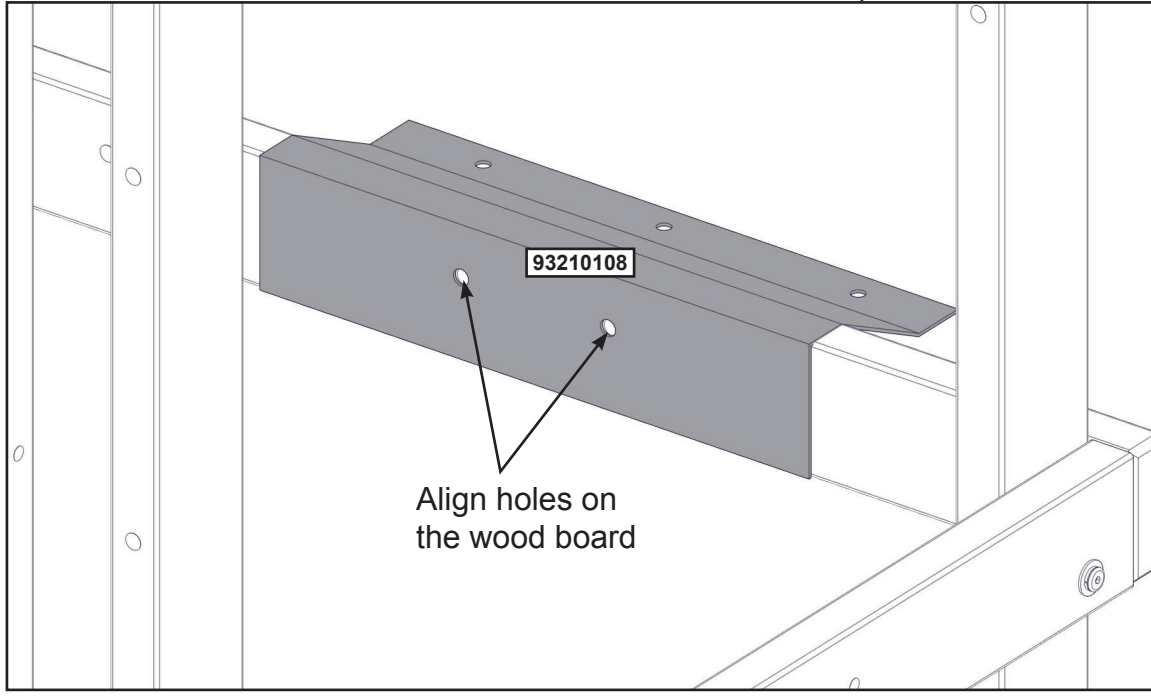
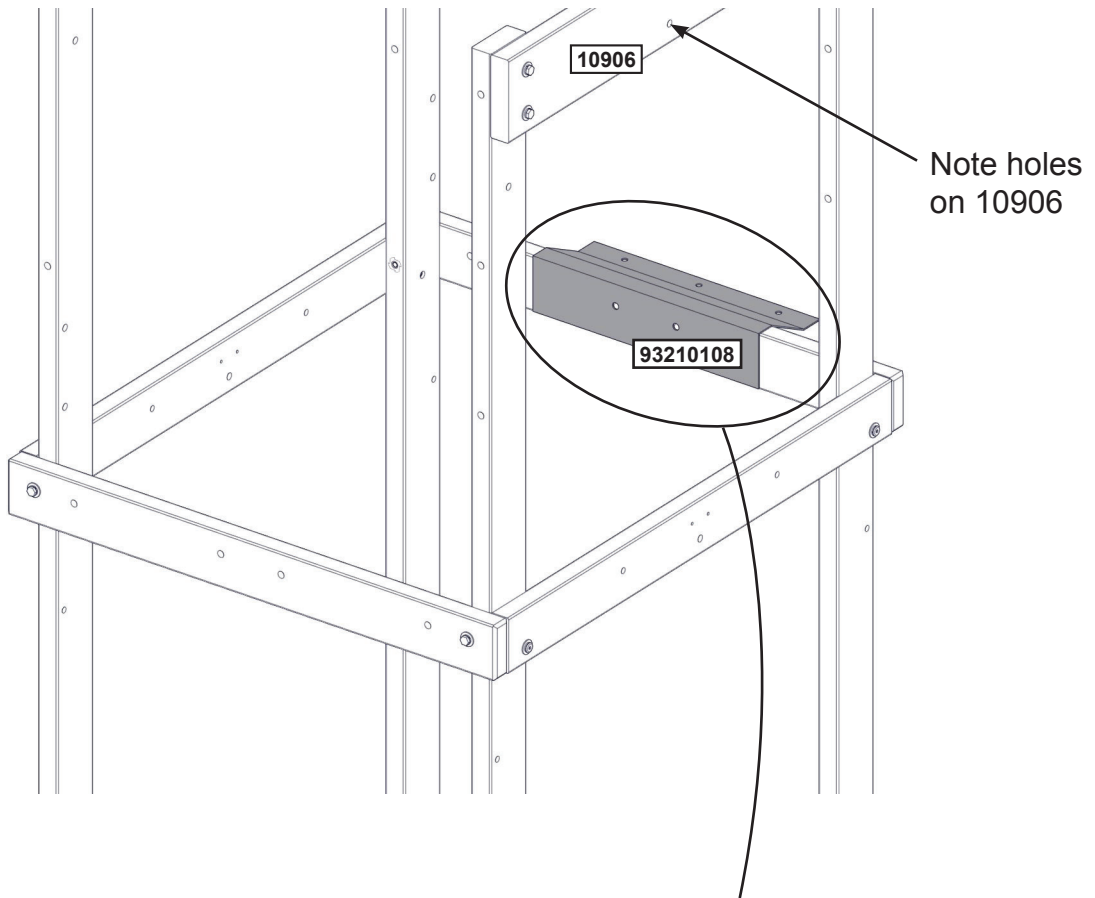
Hardware

4 x **G6** 7.9 x 120.7 mm (5/16 x 4-3/4") (LW2, FW2, TN2)

europecustomerservice@kidkraft.com
+31 20 305 8620
M-F from 09:00 to 17:30 (GMT+1)

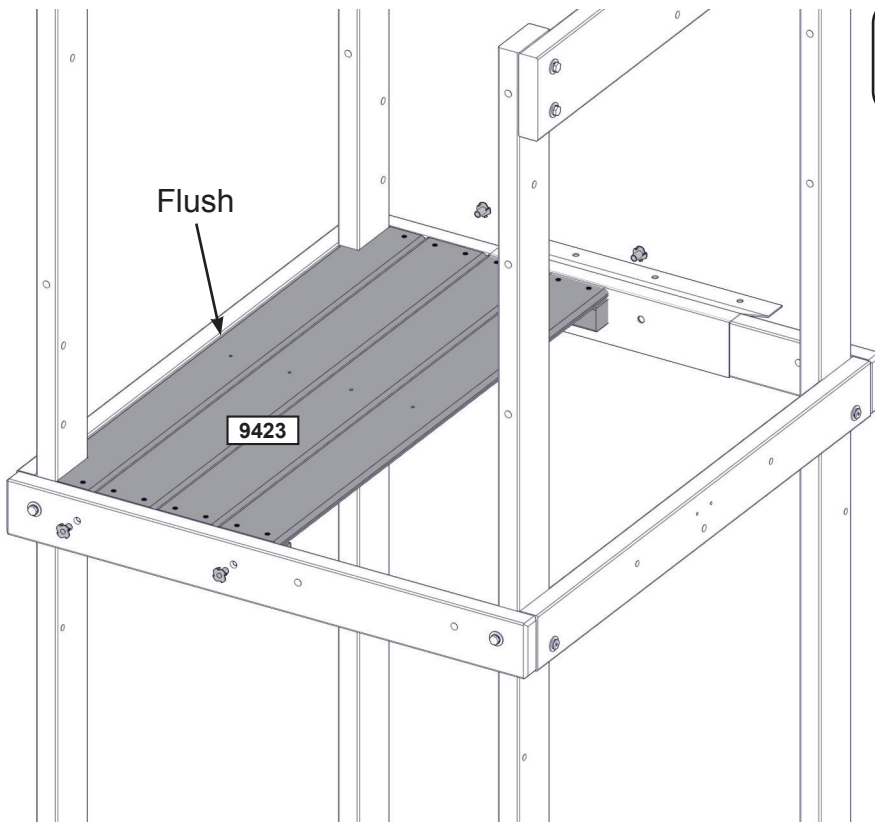
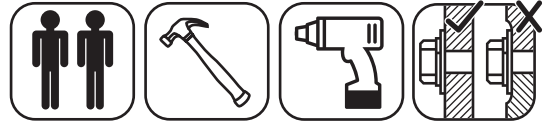
parts.kidkraft.eu





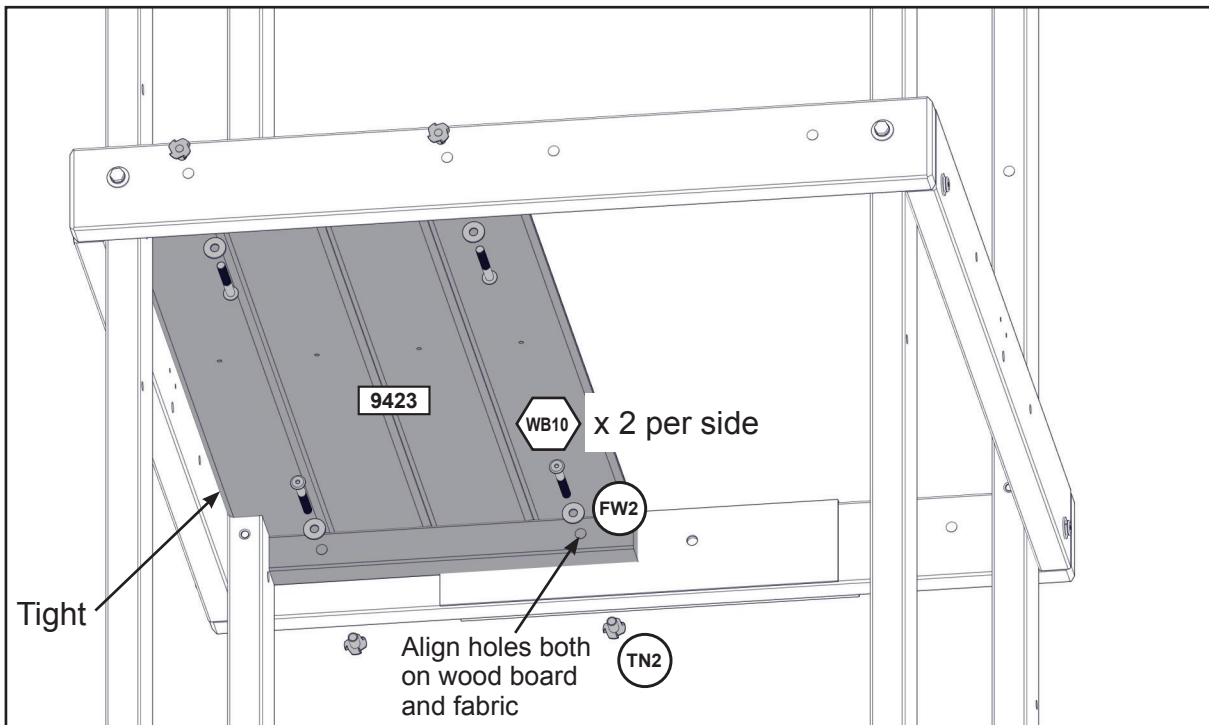
Other Parts
1 x 93210108

31



Assemble T-Nuts first with hammer!

Note: Structure partly removed for clarity.



Underneath and Inside View

Wood Parts

1 x **9423** 54.0 x 401.6 x 914.4 mm (2 1/8" x 15 13/16" x 36")

Hardware

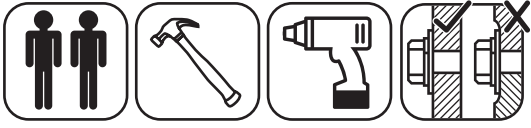
4 x **WB10** 7.9 x 66.6 mm (5/16 x 2-5/8") (FW2, TN2)

europecustomerservice@kidkraft.com
+31 20 305 8620
M-F from 09:00 to 17:30 (GMT+1)

parts.kidkraft.eu

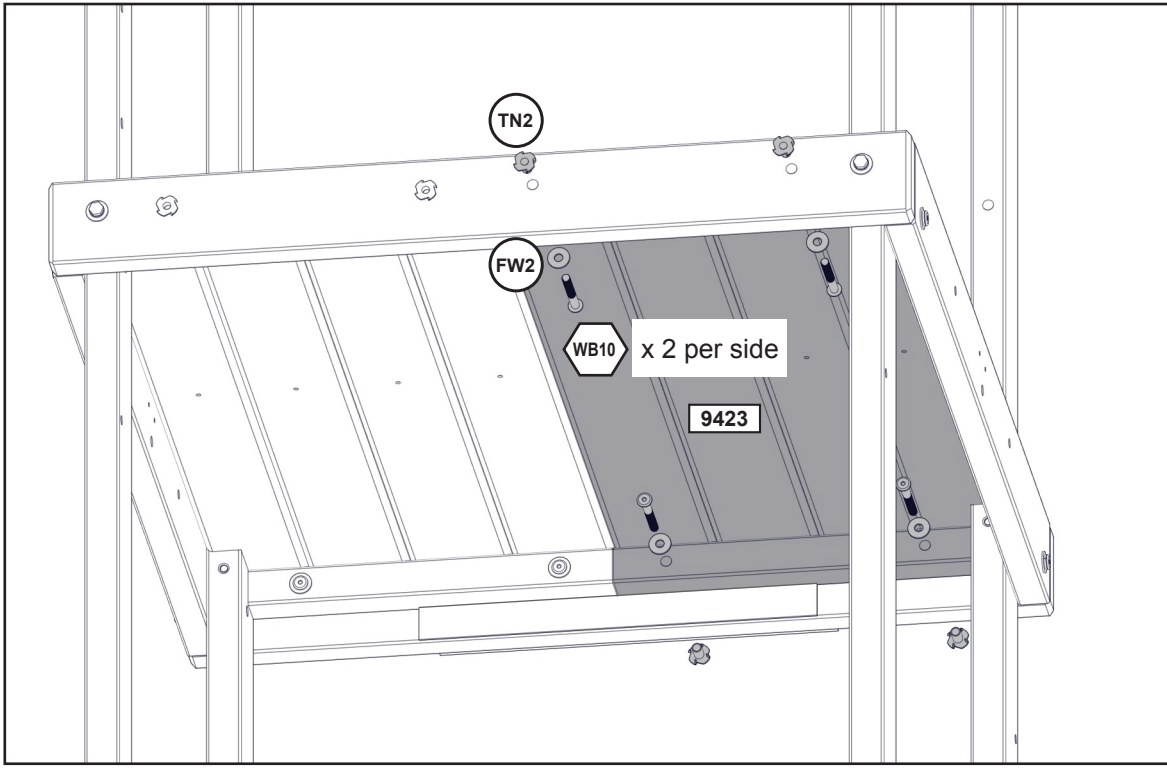
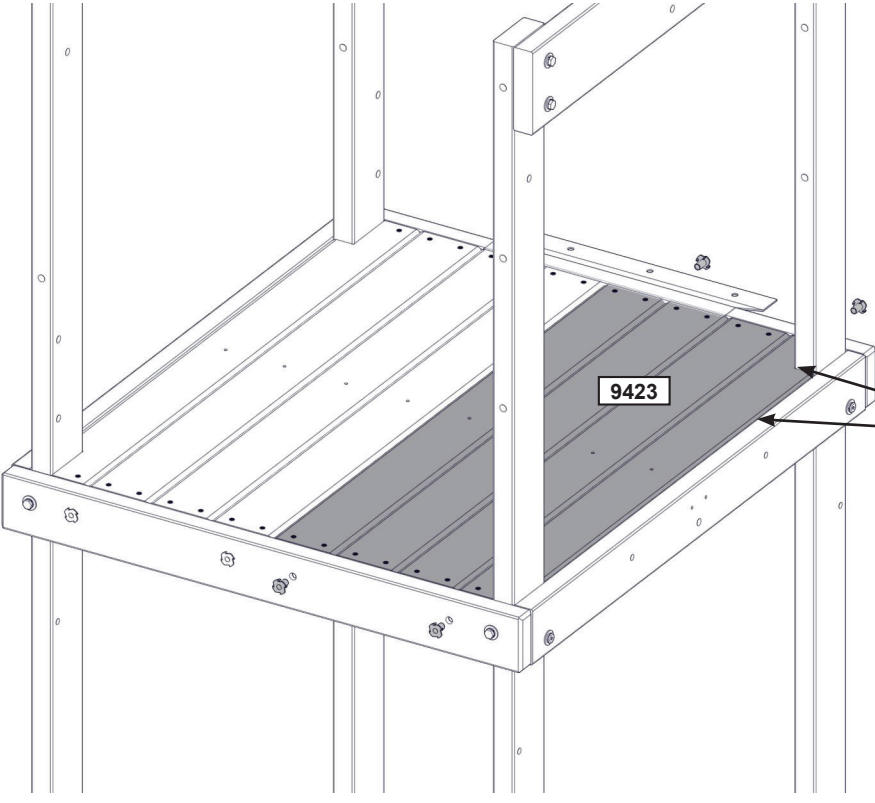


32



Assemble T-Nuts first with hammer!

Note: Structure partly removed for clarity.



Underneath and Inside View

Wood Parts

1 x 9423 54.0 x 401.6 x 914.4 mm (2 1/8" x 15 13/16" x 36")

Hardware

4 x WB10 7.9 x 66.6 mm (5/16 x 2-5/8") (FW2, TN2)

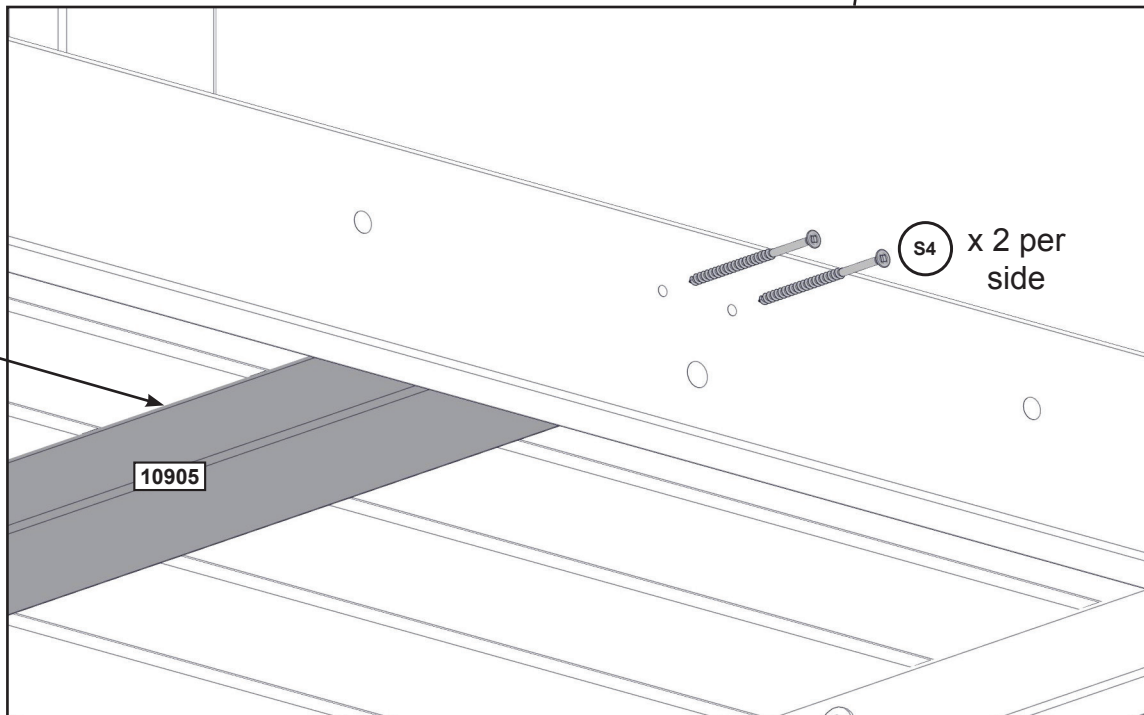
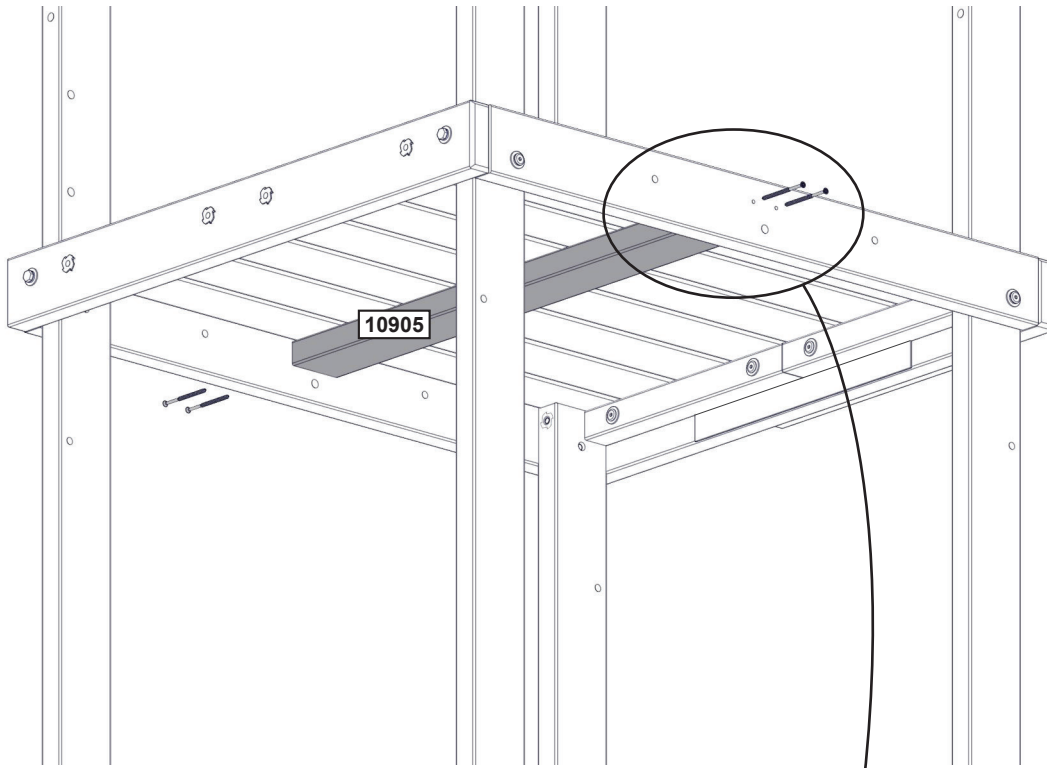


parts.kidkraft.com

customerservice@kidkraft.com
1.800.933.0771
972.385.0100

33

Note: Structure partly removed for clarity.



Wood Parts

1 x **10905** 31.8 x 76.2 x 803.1 mm (1 1/4" x 3" x 31 5/8")

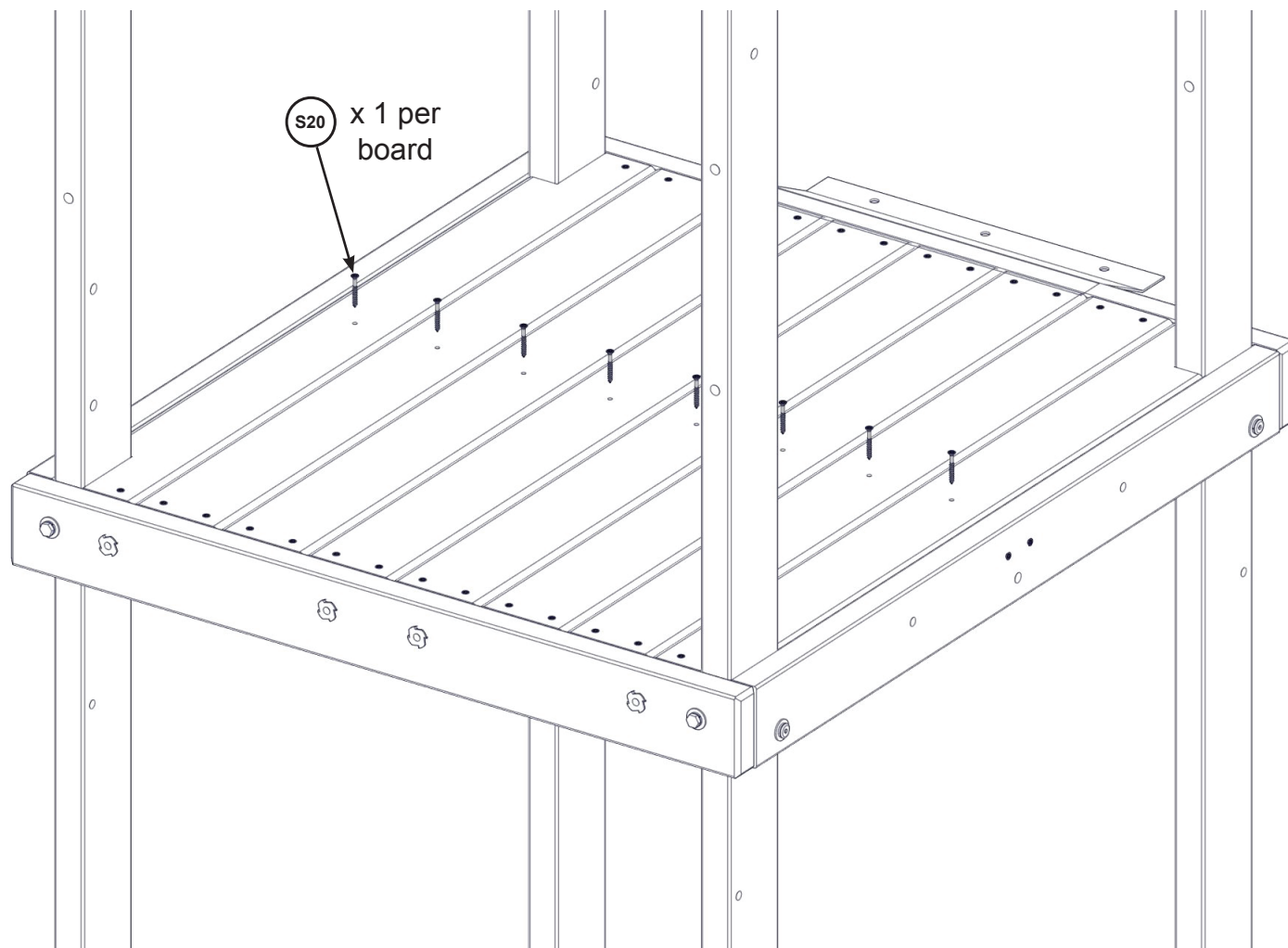
Hardware

4 x **S4** #8 x 76.2 mm (#8 x 3")






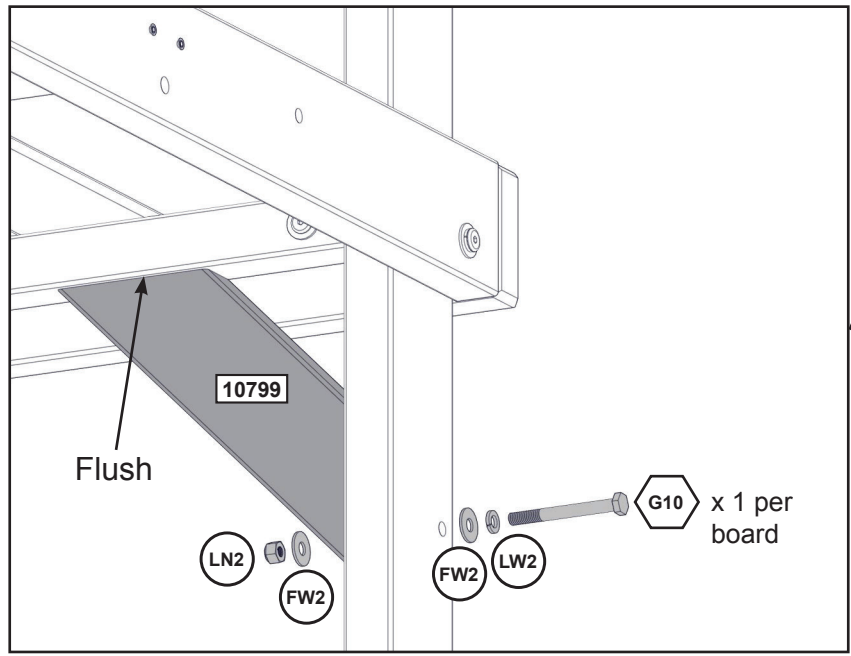
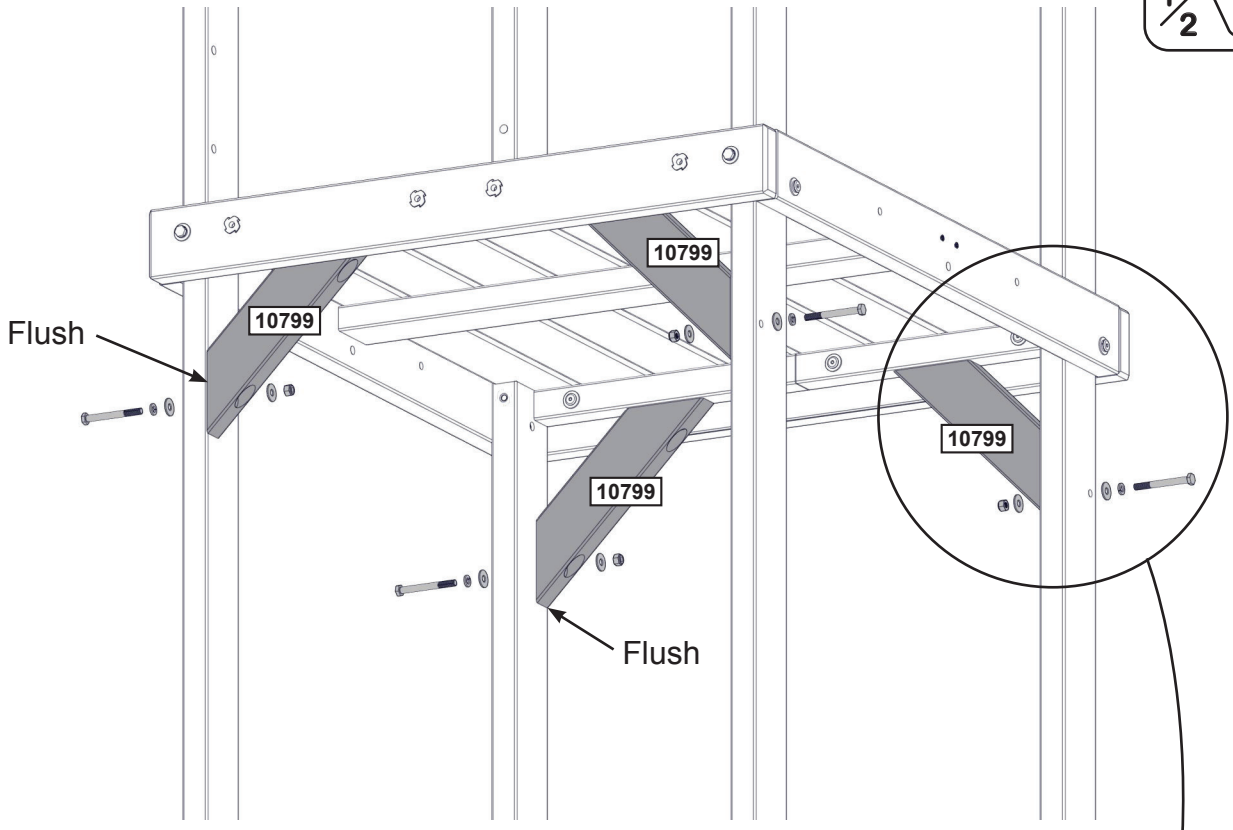
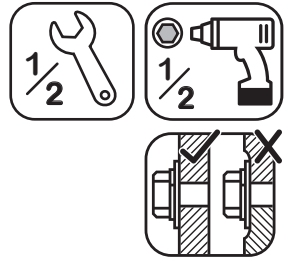
Note: Structure partly removed for clarity.



Hardware

8 x  #8 x 34.9mm (#8 x 1-3/8")

Note: Structure partly removed for clarity.



Underneath View

Wood Parts

4 x **10799** 31.8 x 76.2 x 330.2 mm (1 1/4" x 3" x 13")

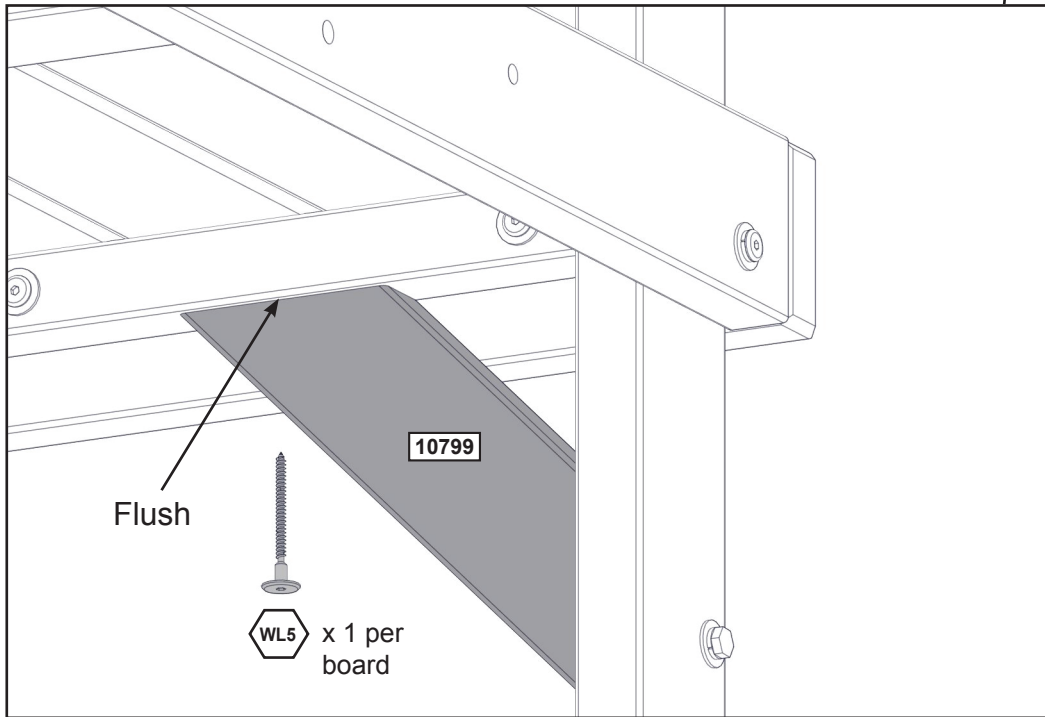
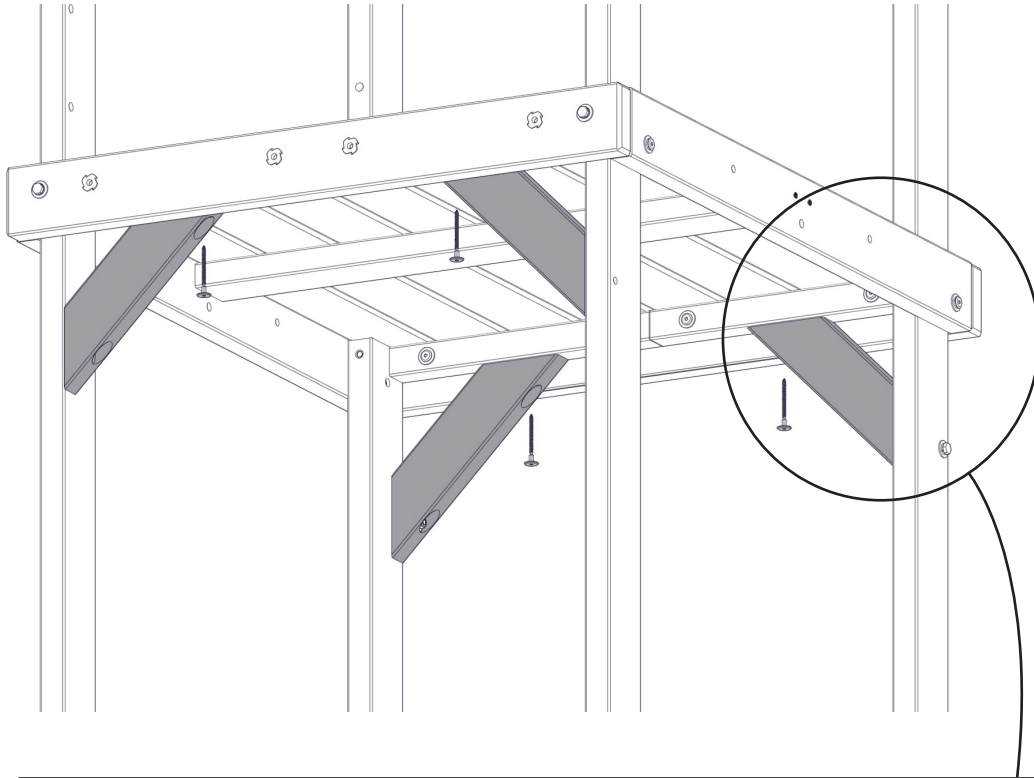
Hardware

4 x **G10** 7.9 x 76.2 mm (5/16" x 3") (FW2 x 2, LW2, LN2)




36

Pre-drill each hole using a 1/8" drill bit for WL5.
Note: Structure partly removed for clarity.

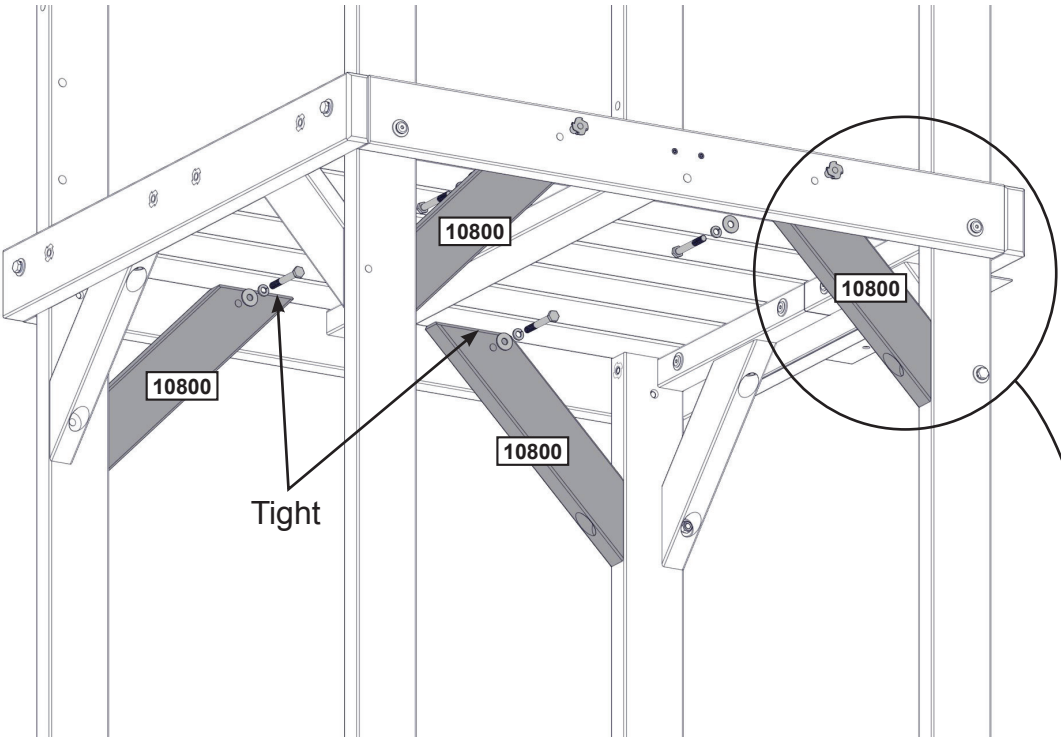
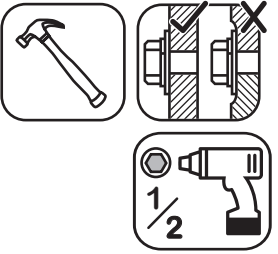


Underneath View

Hardware

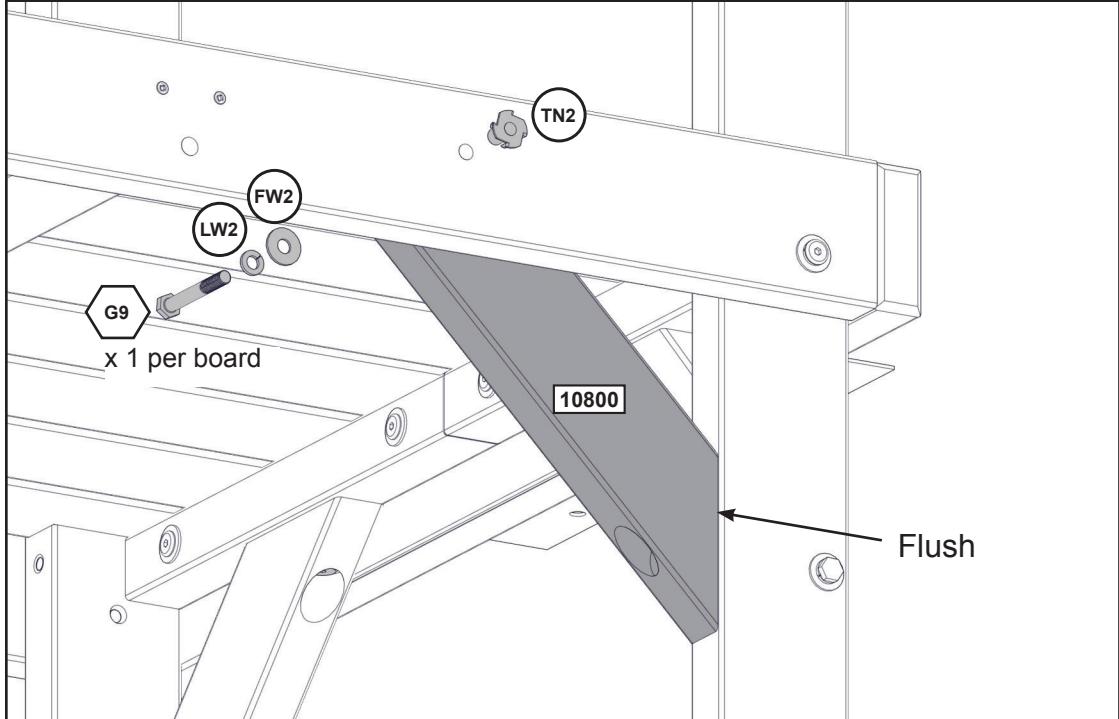
4 x  6.4 x 63.5 mm (1/4 x 2-1/2")

37



Assemble T-Nuts first with hammer!

Note: Structure partly removed for clarity.



Underneath View

Wood Parts

4 x **10800** 31.8 x 76.2 x 384.1 mm (1 1/4" x 3" x 15 1/8")

Hardware

4 x **G9** 7.9 x 63.5 mm (5/16" x 2-1/2") (FW2, LW2, TN2)

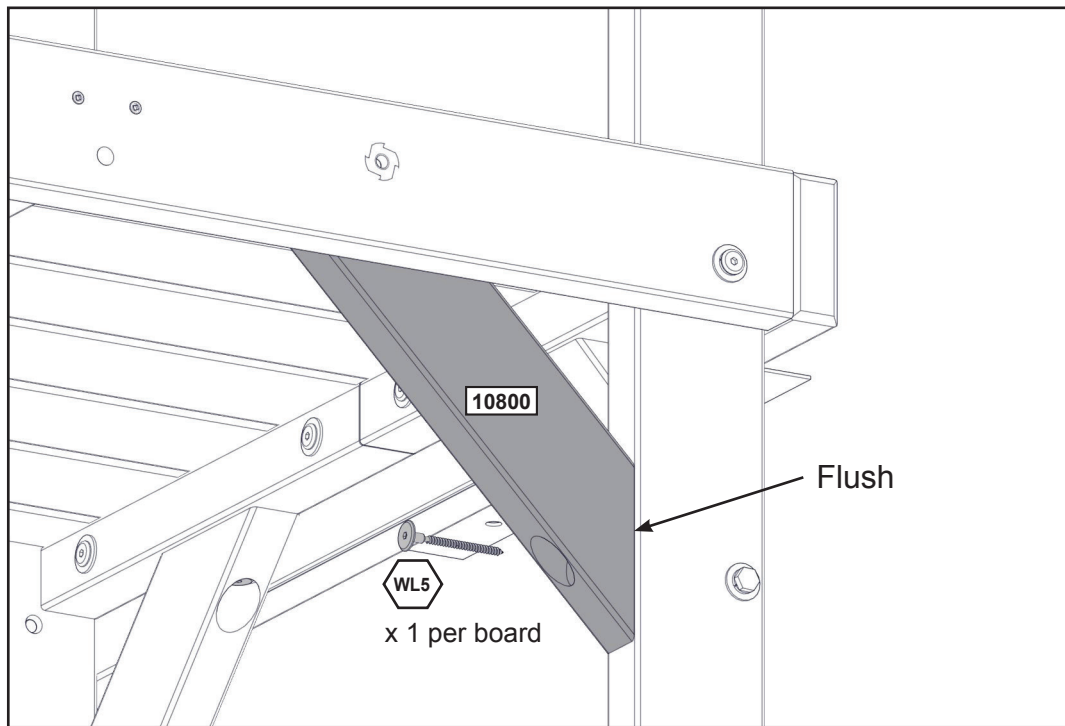
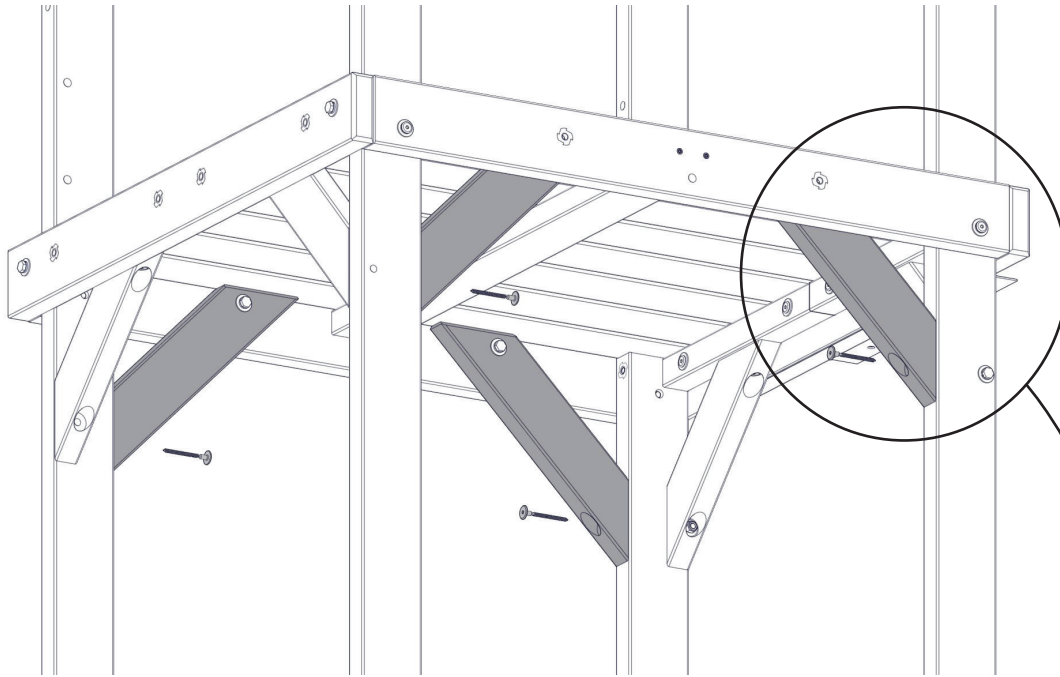
europecustomerservice@kidkraft.com
+31 20 305 8620
M-F from 09:00 to 17:30 (GMT+1)

parts.kidkraft.eu




Pre-drill each hole using a 1/8" drill bit for WL5.

Note: Structure partly removed for clarity.



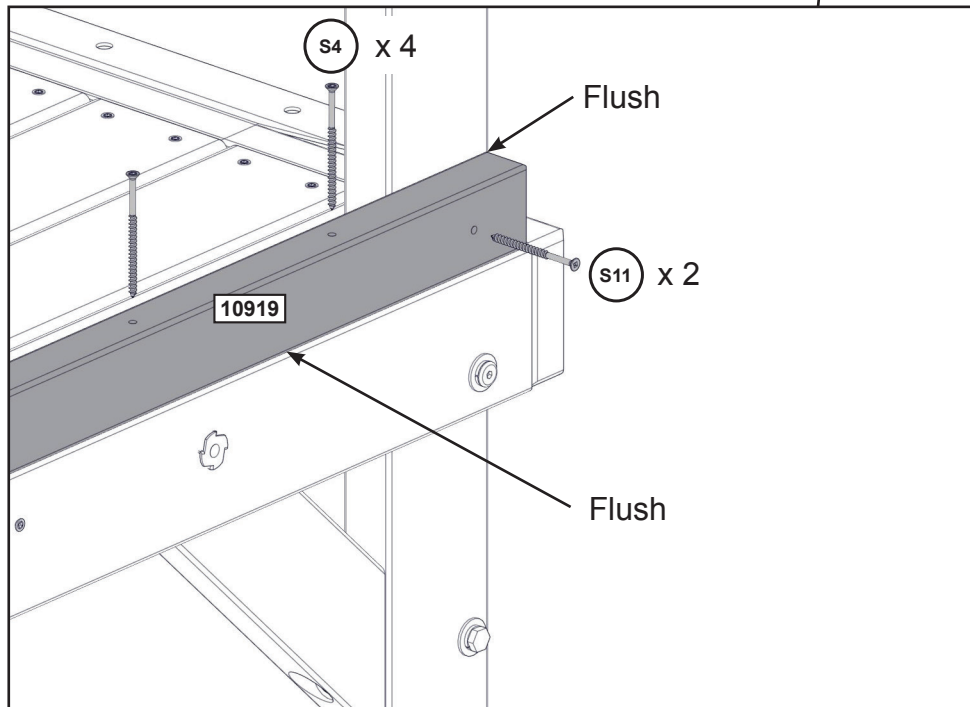
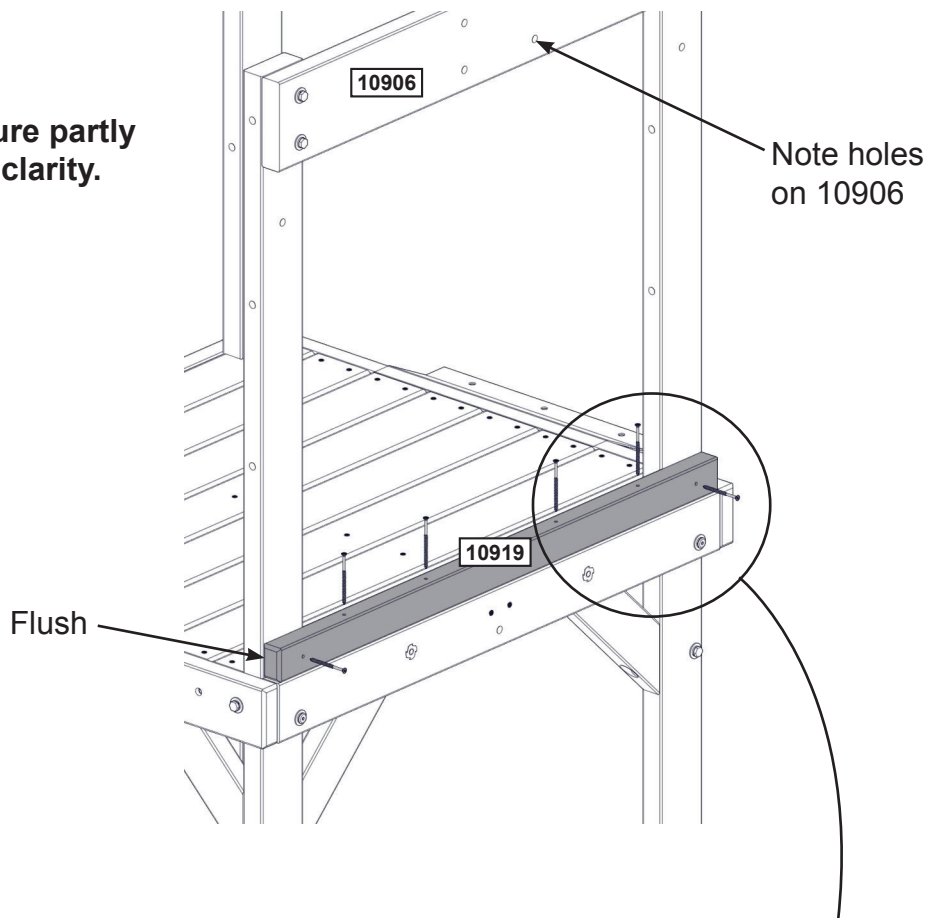
Underneath View

Hardware

4 x  6.4 x 63.5 mm (1/4 x 2-1/2")

39

Note: Structure partly removed for clarity.



Wood Parts

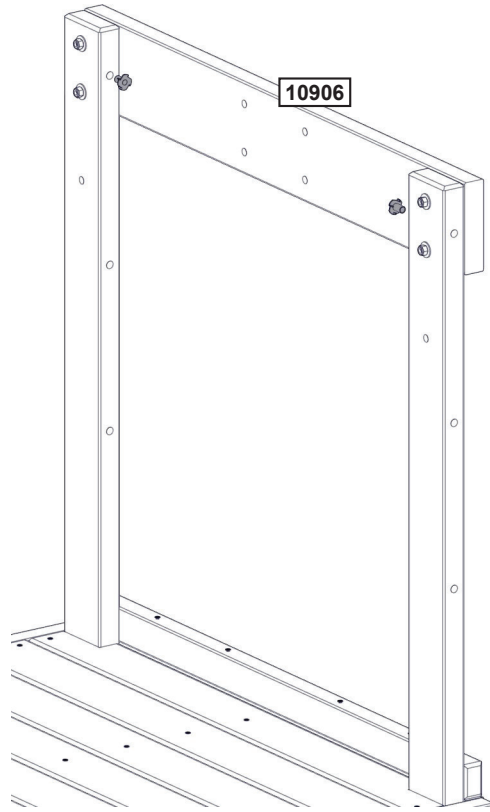
1 x 10919 31.8 x 50.8 x 914.4 mm (1 1/4" x 2" x 36")

Hardware

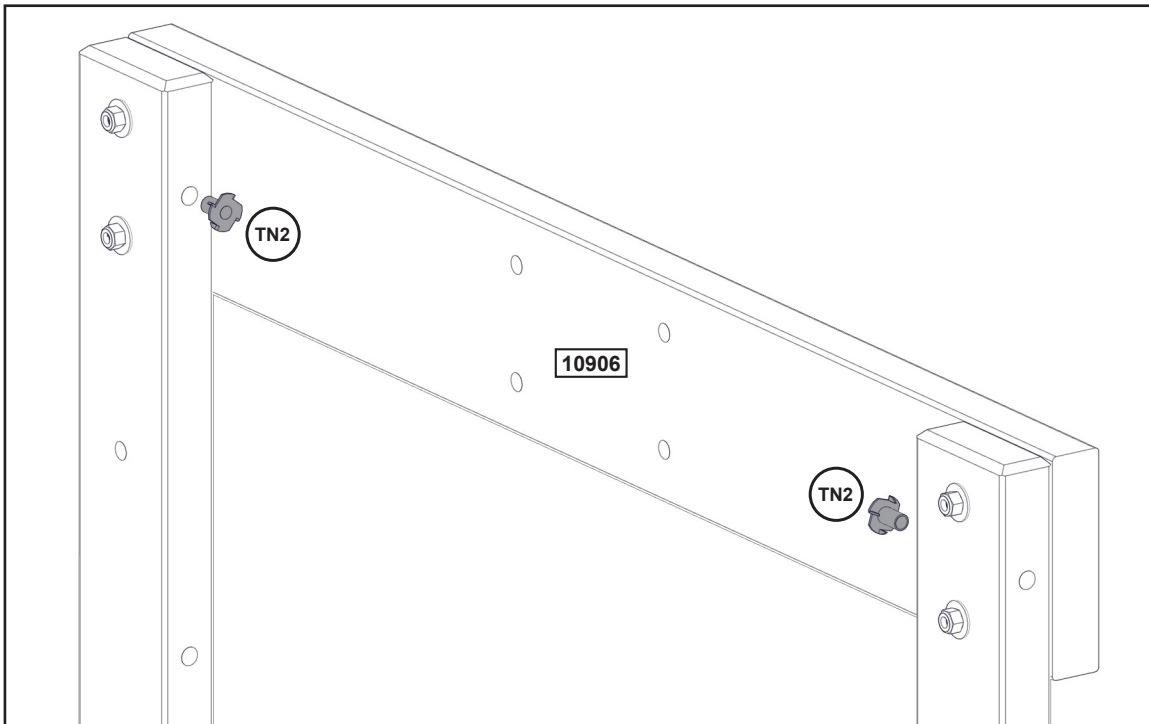
4 x S4 #8 x 76.2 mm (#8 x 3")

2 x S11 #8 x 50.8 mm (#8 x 2")





Assemble T-Nuts first with hammer!



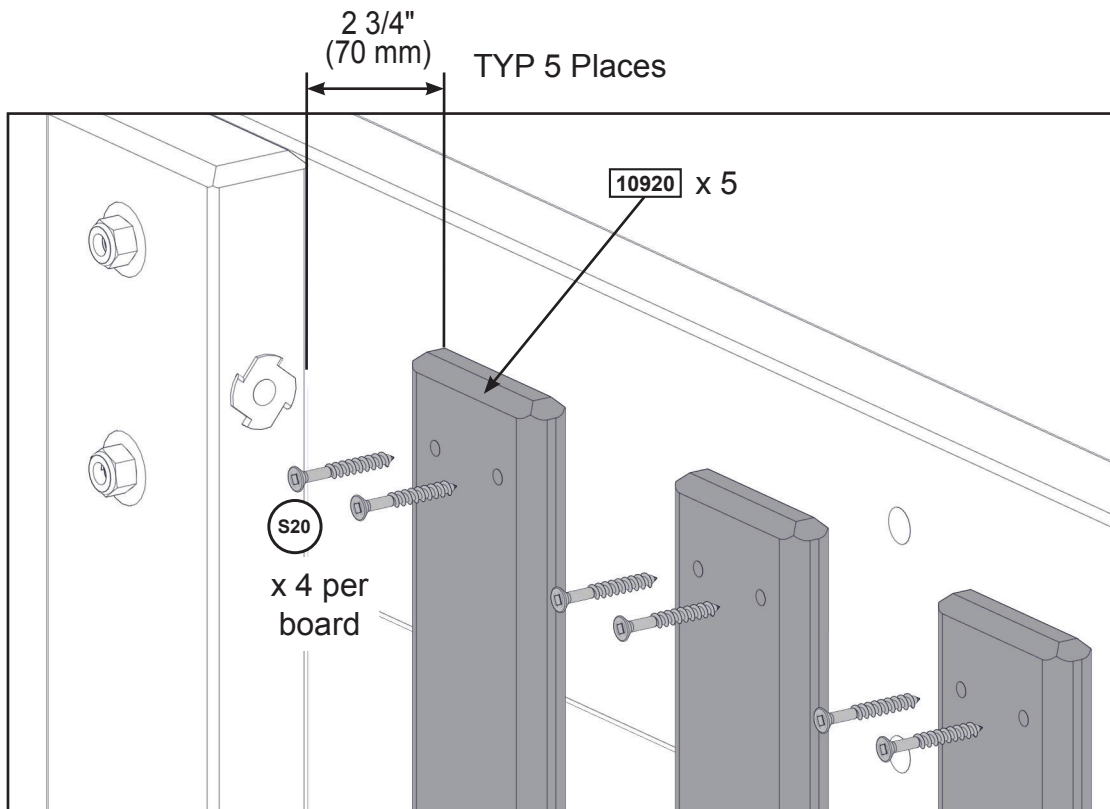
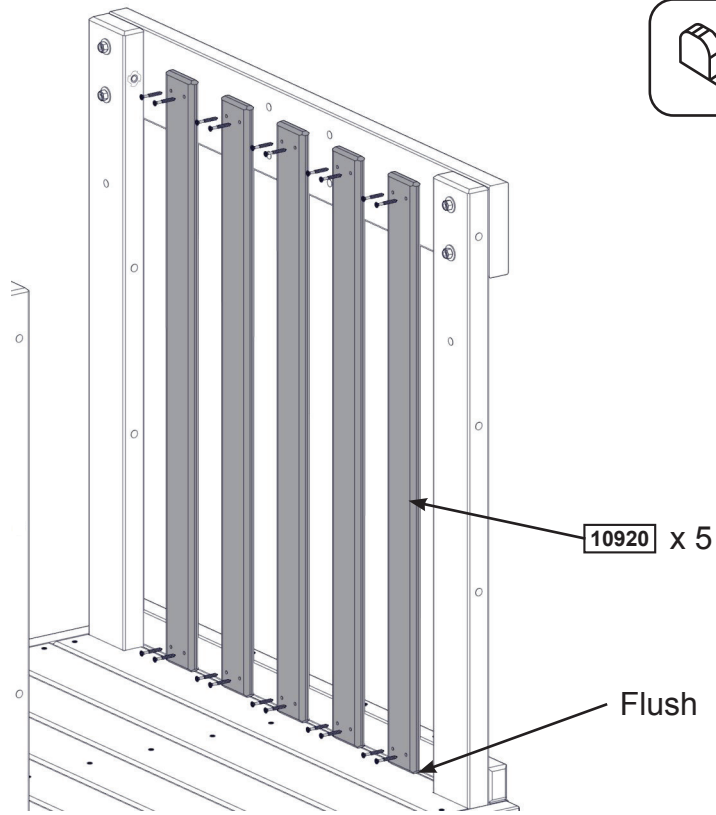
Hardware

2 x TN2

41



Note: Structure partly removed for clarity.



Wood Parts

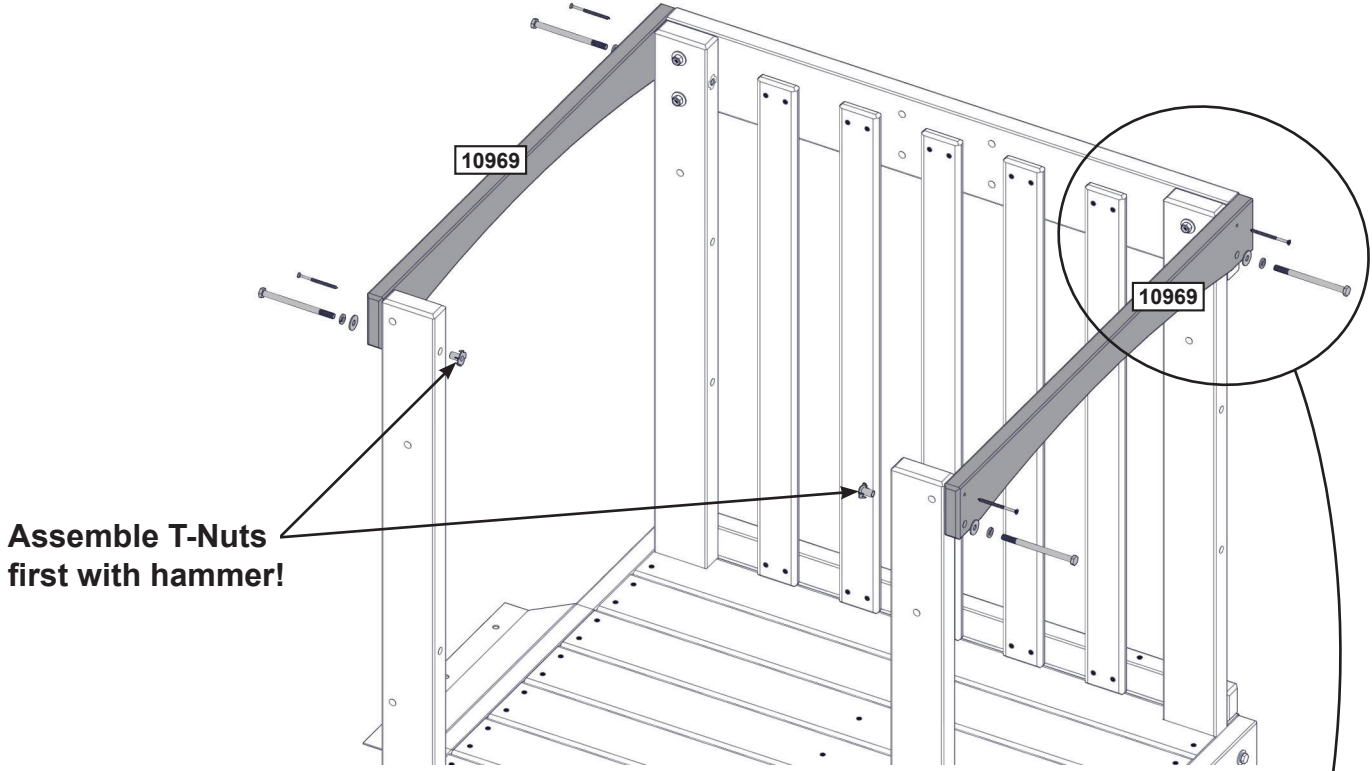
5 x 10920 15.9 x 63.5 x 856.9 mm (5/8" x 2 1/2" x 33 3/4")

Hardware

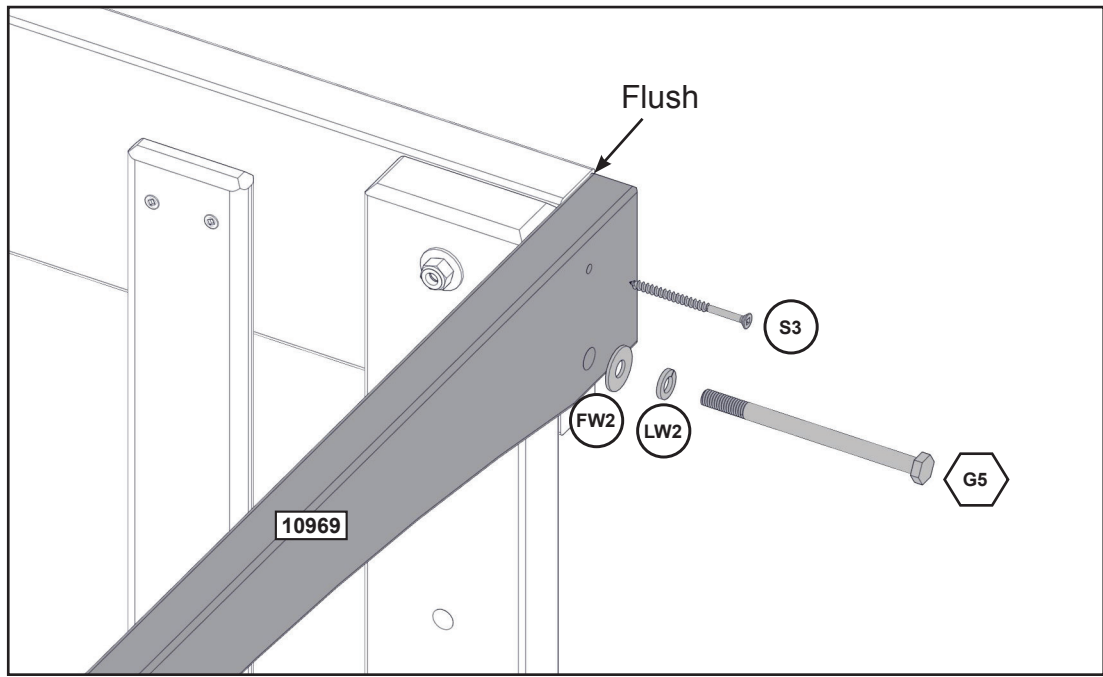
20 x S20 #8 x 34.9mm (#8 x 1-3/8")



Note: Structure partly removed for clarity.



Assemble T-Nuts first with hammer!



Wood Parts

2 x **10969** 25.4 x 88.9 x 834.8 mm (1" x 3 1/2" x 32 7/8")

Hardware

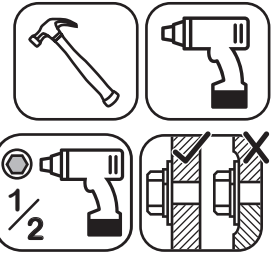
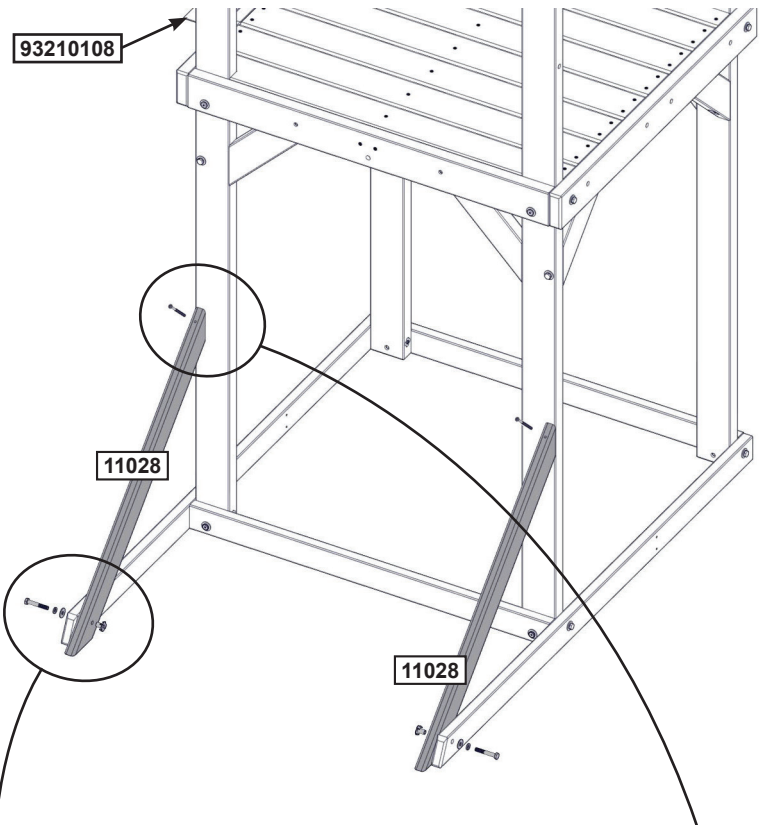
- 2 x **G5** 7.9 x 114.3 mm (5/16 x 4-1/2") (LW2, FW2)
- 2 x **G5** 7.9 x 114.3 mm (5/16 x 4-1/2") (LW2, FW2, TN2)
- 4 x **S3** #8 x 63.5 mm (#8 x 2-1/2")



parts.kidkraft.com

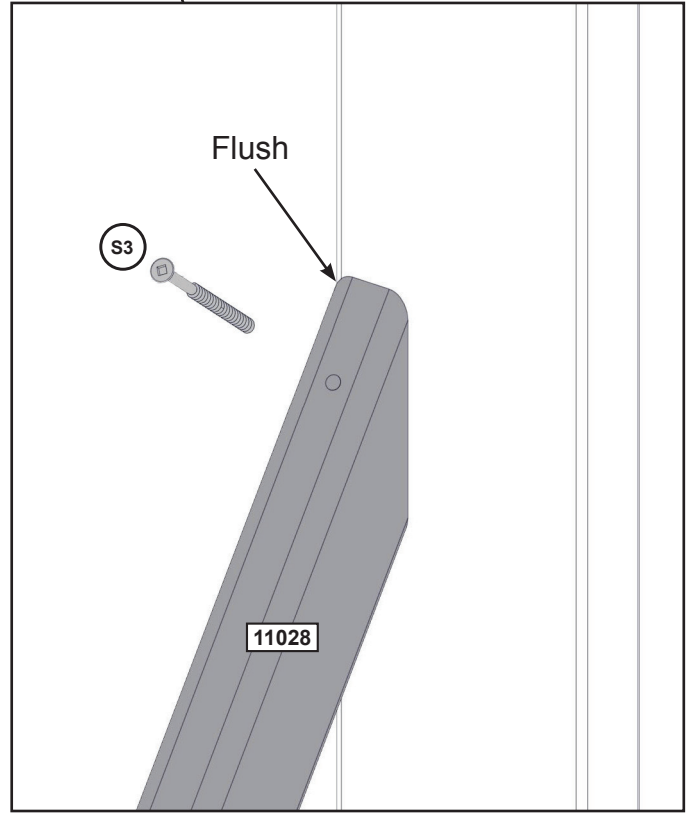
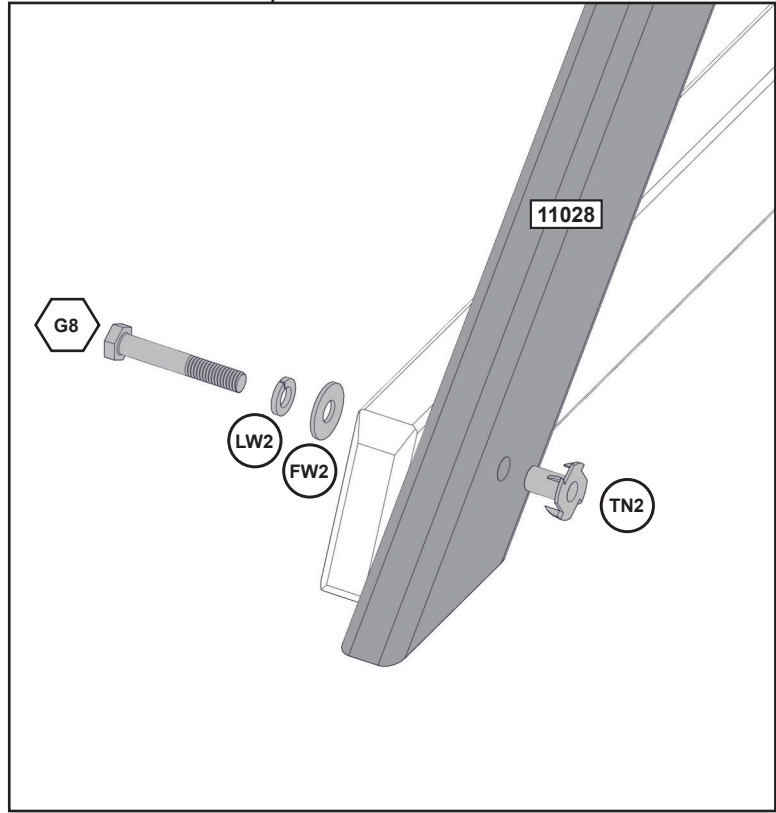
customerservice@kidkraft.com
 1.800.933.0771
 972.385.0100

43



Assemble T-Nuts first with hammer!

Note: Structure partly removed for clarity.



Wood Parts

2 x **11028** 25.4 x 63.5 x 820.0 mm (1" x 2 1/2" x 29 1/2")

Hardware

2 x **G8** 7.9 x 50.8 mm (5/16" x 2") (LW2, FW2, TN2)

2 x **S3** #8 x 63.5 mm (#8 x 2-1/2")

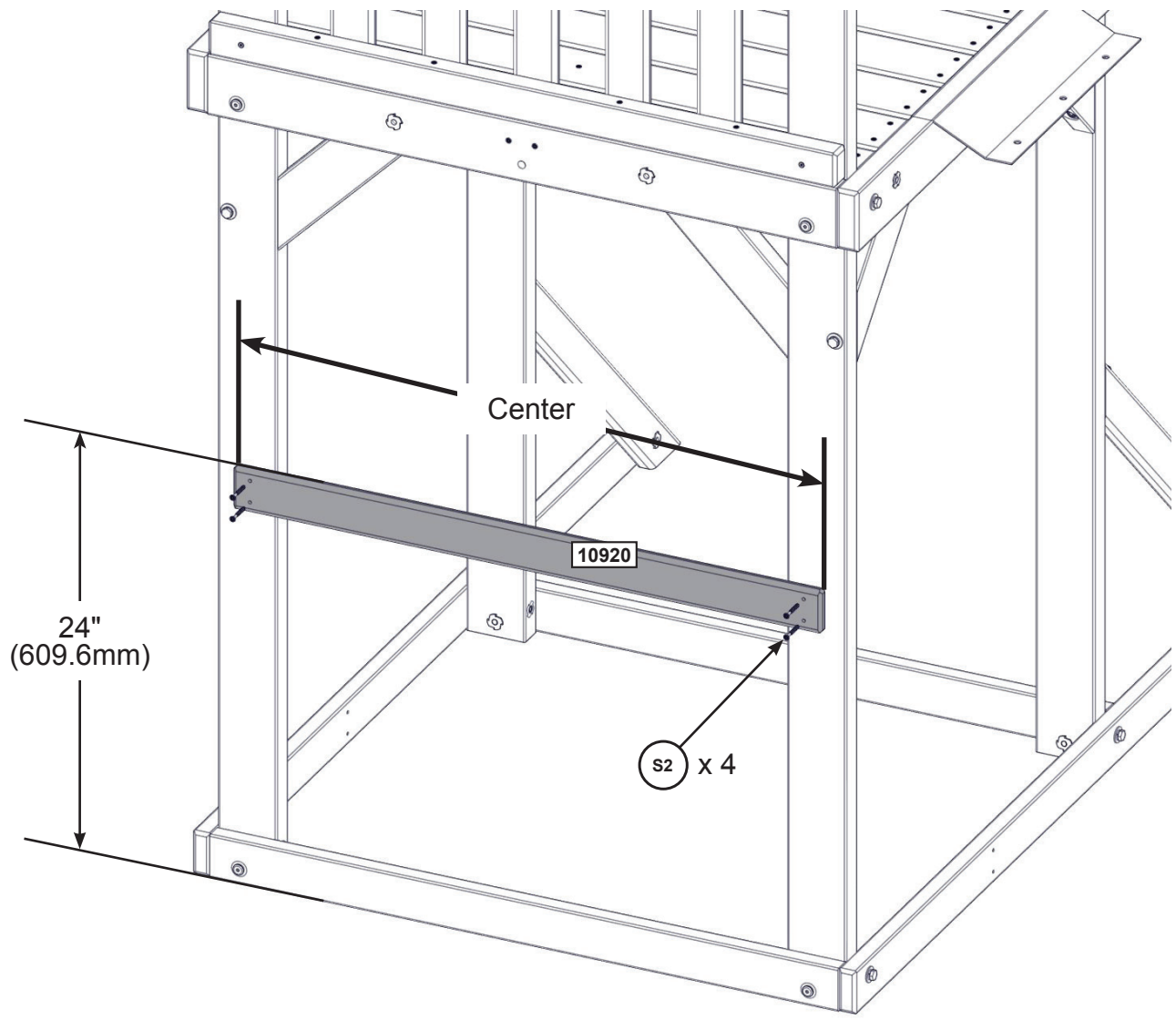
europecustomerservice@kidkraft.com
+31 20 305 8620
M-F from 09:00 to 17:30 (GMT+1)

parts.kidkraft.eu





Note: Structure partly removed for clarity.



Wood Parts

1 x 10920 15.9 x 63.5 x 856.9 mm (5/8" x 2 1/2" x 33 3/4")

Hardware

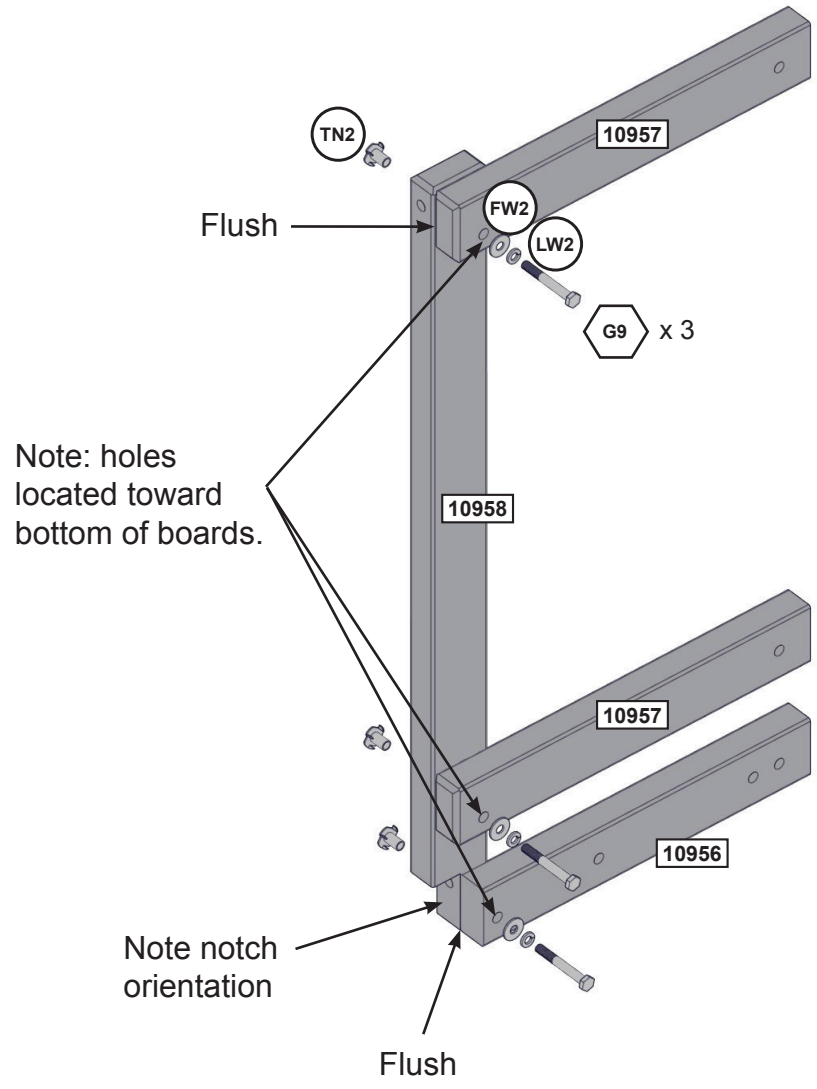
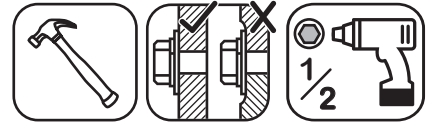
4 x S2 #8 x 38.1 mm (#8 x 1-1/2")



parts.kidkraft.com

customerservice@kidkraft.com
1.800.933.0771
972.385.0100

Assemble T-Nuts first with hammer!



Wood Parts

- 1 x **10956** 31.8 x 63.5 x 376.6 mm (1 1/4" x 2 1/2" x 14 13/16")
- 2 x **10957** 31.8 x 63.5 x 408.4 mm (1 1/4" x 2 1/2" x 16 1/16")
- 1 x **10958** 31.8 x 63.5 x 844.5 mm (1 1/4" x 2 1/2" x 33 1/4")

Hardware

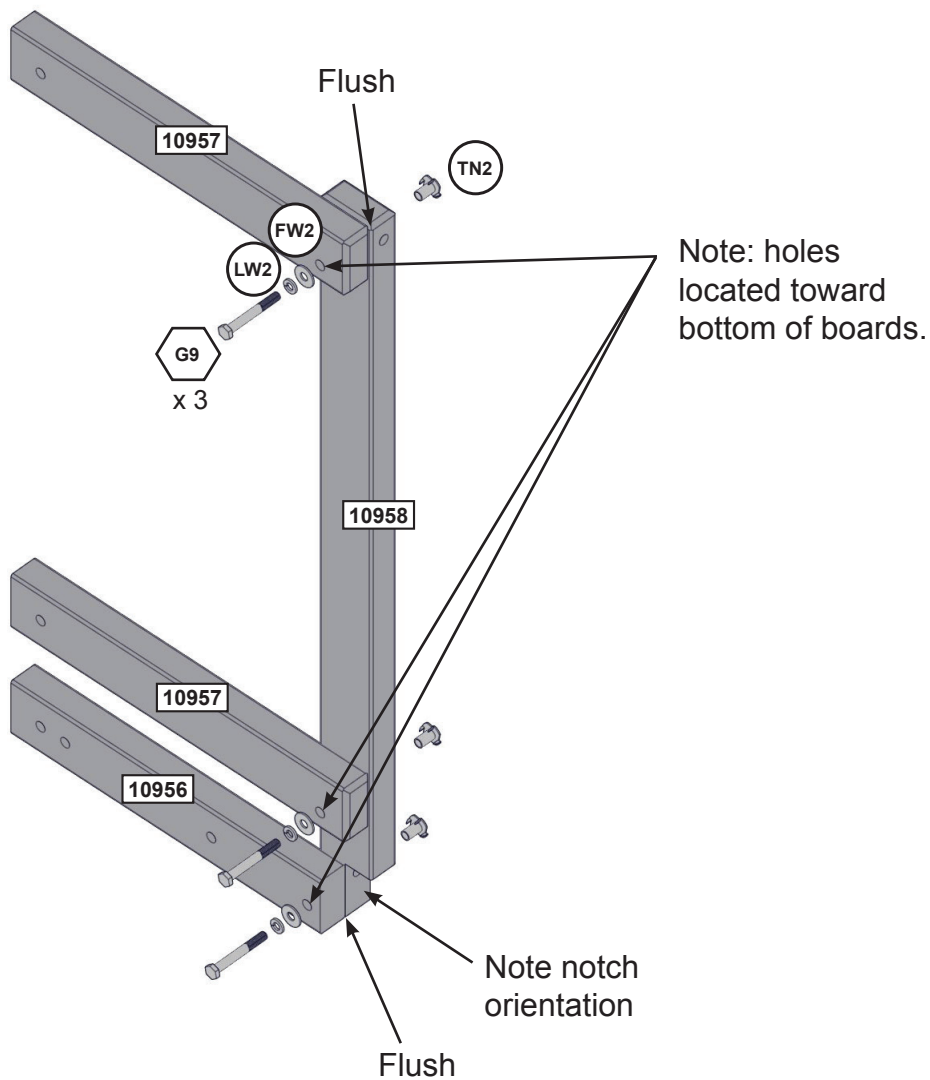
- 3 x **G9** 7.9 x 63.5 mm (5/16" x 2-1/2") (FW2, LW2, TN2)

europcustomerservice@kidkraft.com
 +31 20 305 8620
 M-F from 09:00 to 17:30 (GMT+1)

parts.kidkraft.eu



Assemble T-Nuts first with hammer!



Wood Parts

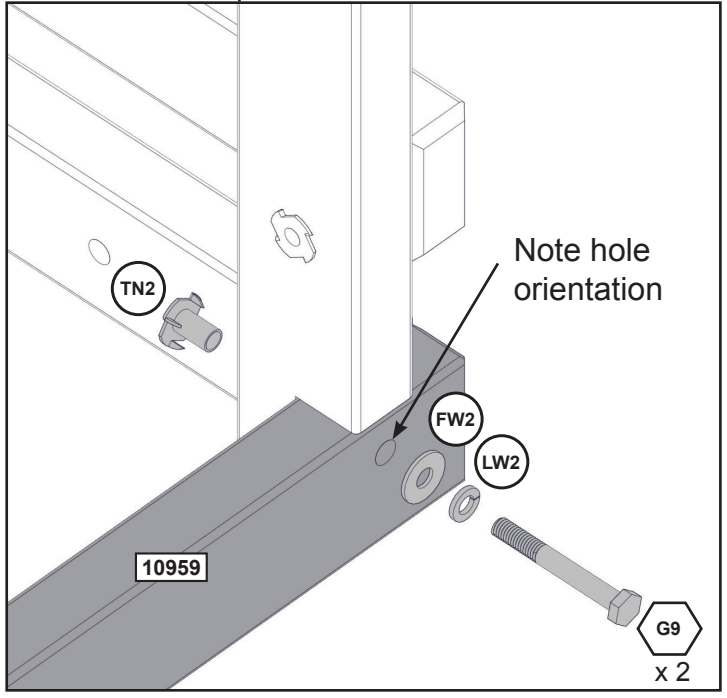
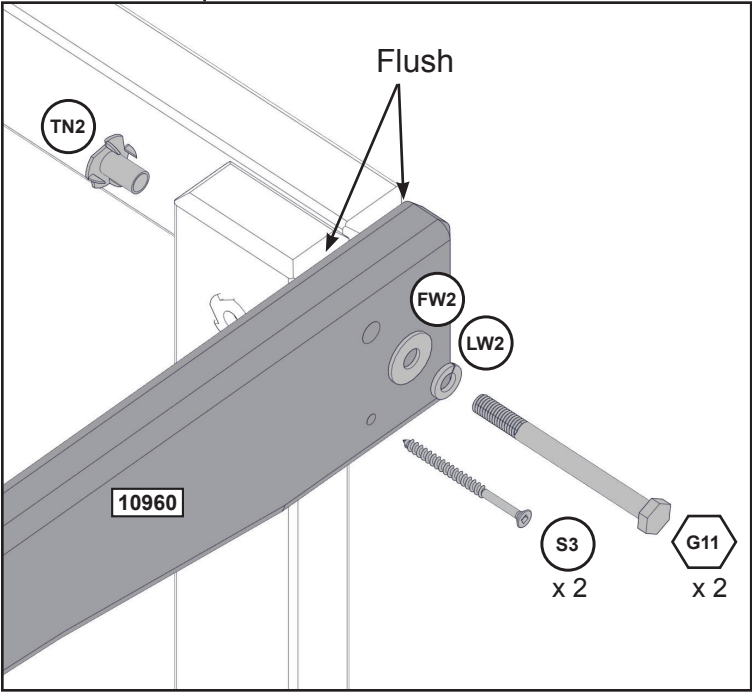
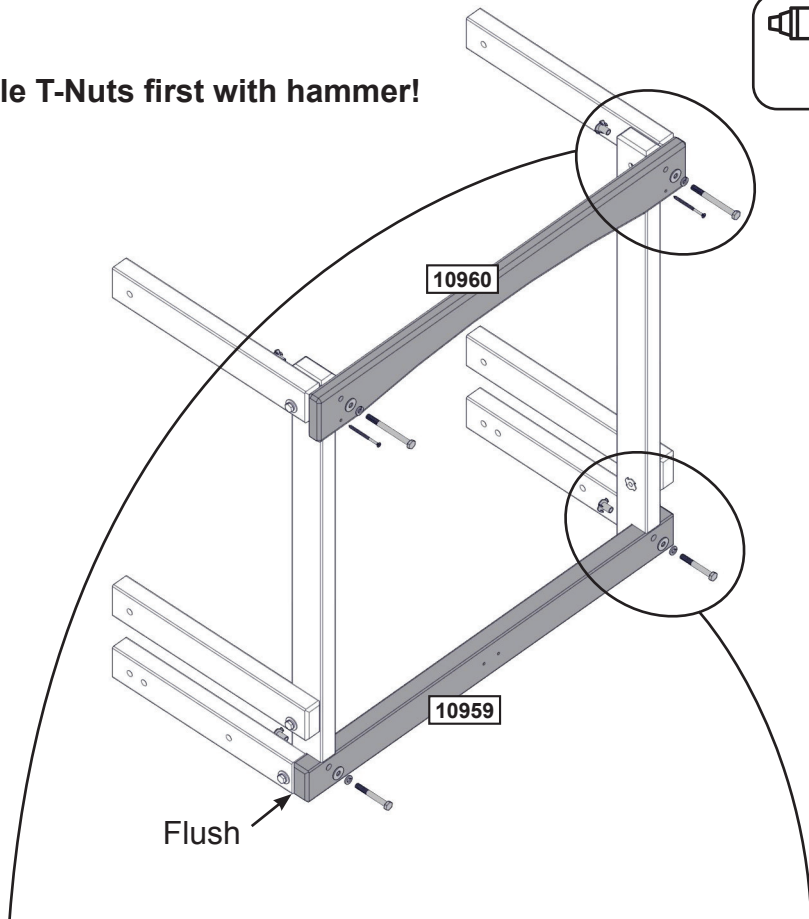
- 1 x **10956** 31.8 x 63.5 x 376.6 mm (1 1/4" x 2 1/2" x 14 13/16")
- 2 x **10957** 31.8 x 63.5 x 408.4 mm (1 1/4" x 2 1/2" x 16 1/16")
- 1 x **10958** 31.8 x 63.5 x 844.5 mm (1 1/4" x 2 1/2" x 33 1/4")

Hardware

- 3 x **G9** 7.9 x 63.5 mm (5/16" x 2-1/2") (FW2, LW2, TN2)

47

Assemble T-Nuts first with hammer!



Wood Parts

- 1 x **10959** 31.8 x 63.5 x 806.6 mm (1 1/4" x 2 1/2" x 31 3/4")
- 1 x **10960** 25.4 x 88.9 x 806.6 mm (1" x 3 1/2" x 31 3/4")

Hardware

- 2 x **G9** 7.9 x 63.5 mm (5/16" x 2-1/2") (FW2, LW2, TN2)
- 2 x **G11** 7.9 x 88.9 mm (5/16 x 3-1/2") (FW2, LW2, TN2)
- 2 x **S3** #8 x 63.5mm (#8 x 2-1/2")

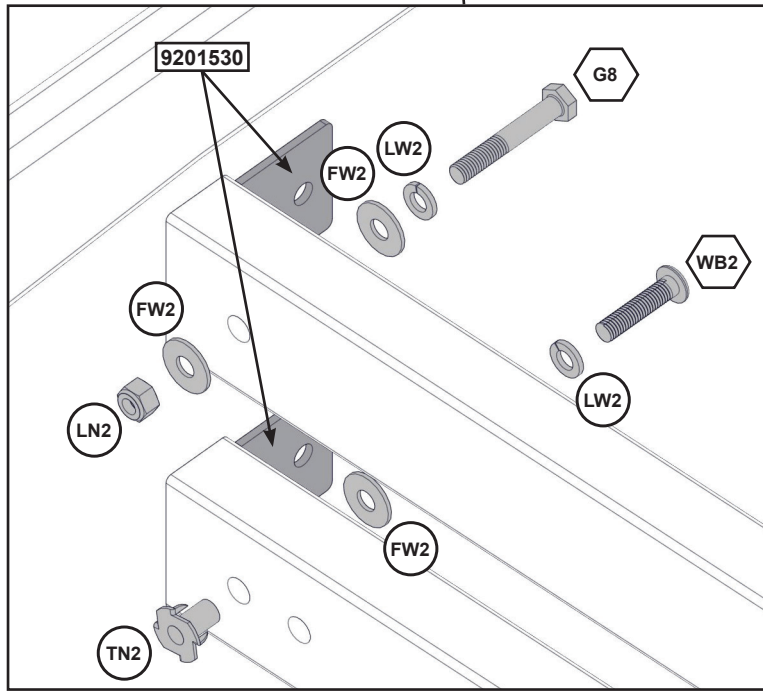
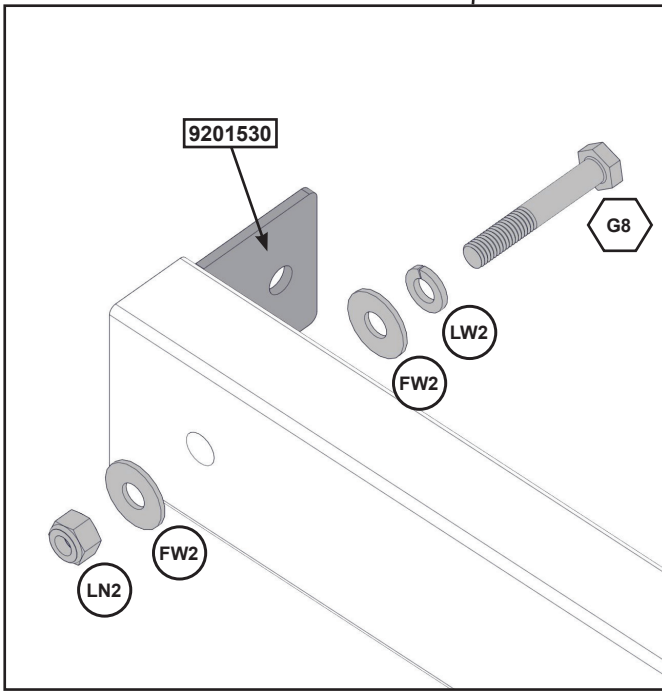
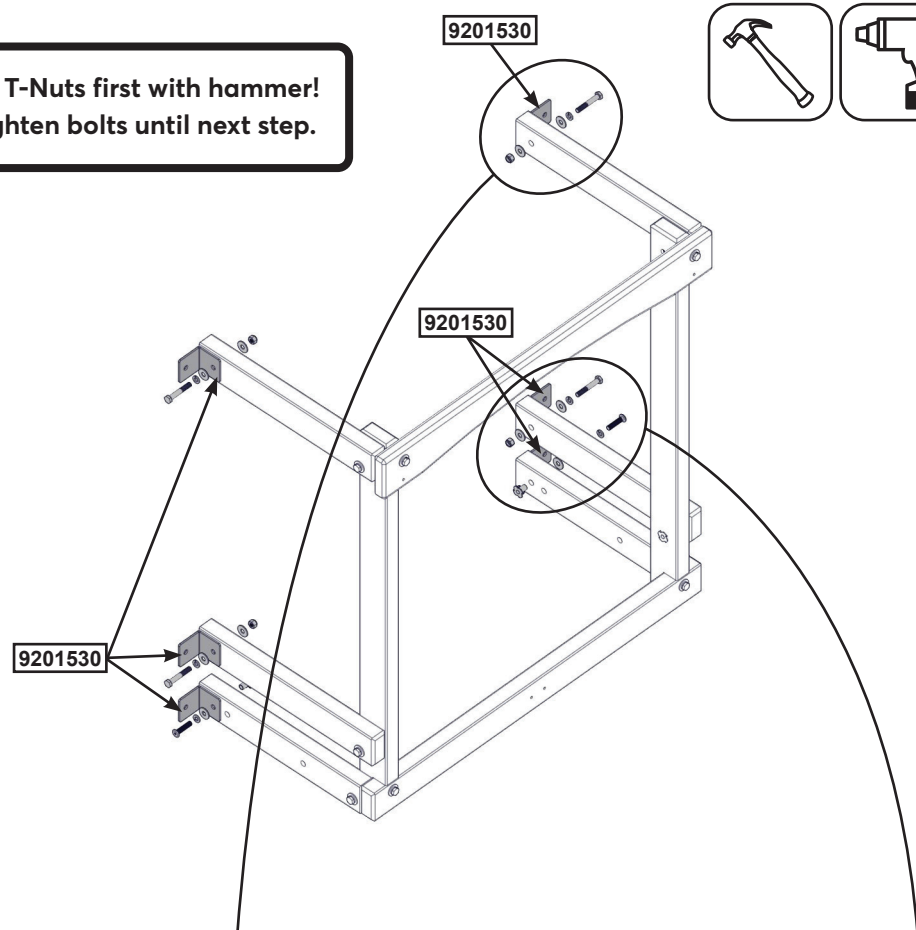
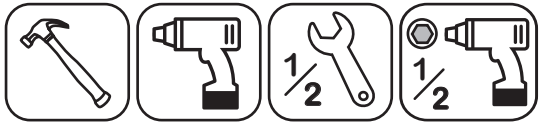
europecustomerservice@kidkraft.com
 +31 20 305 8620
 M-F from 09:00 to 17:30 (GMT+1)

parts.kidkraft.eu



48

Assemble T-Nuts first with hammer!
Do not tighten bolts until next step.



Hardware

- 4 x G8 7.9 x 50.8 mm (5/16" x 2") (FW2 x 2, LW2, LN2)
- 2 x WB2 7.9 x 34.9 mm (5/16 x 1-3/8") (FW2, LW2, TN2)

Other Parts

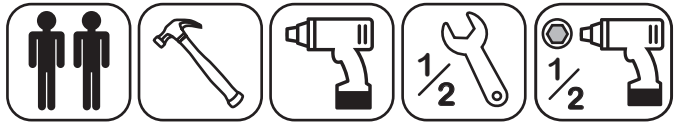
- 6 x 9201530



parts.kidkraft.com

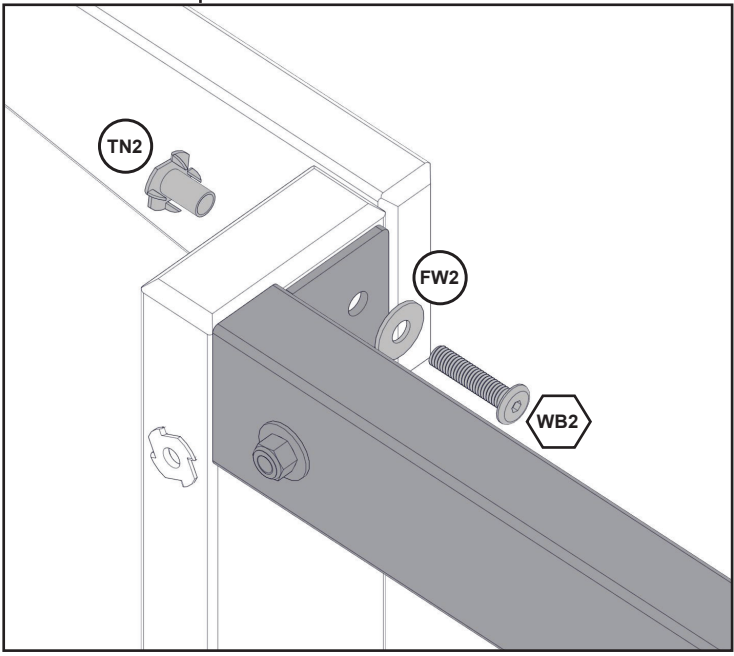
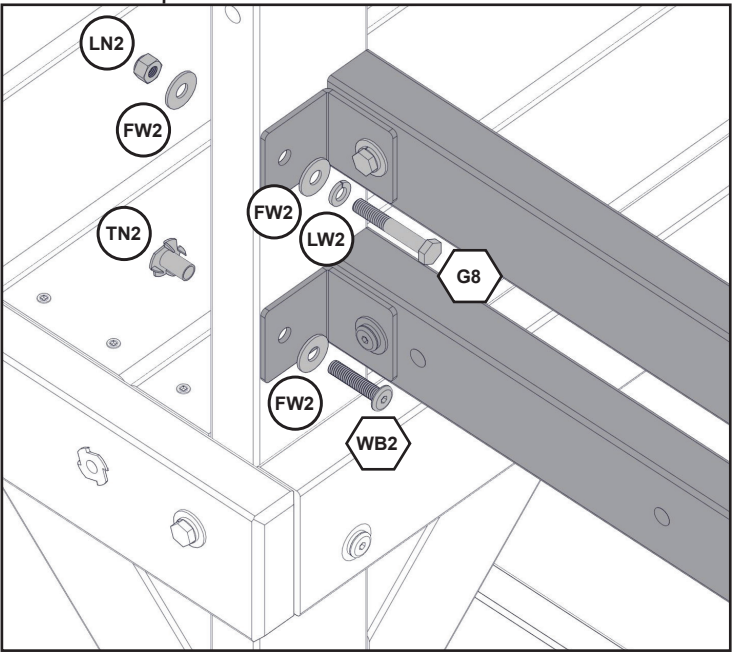
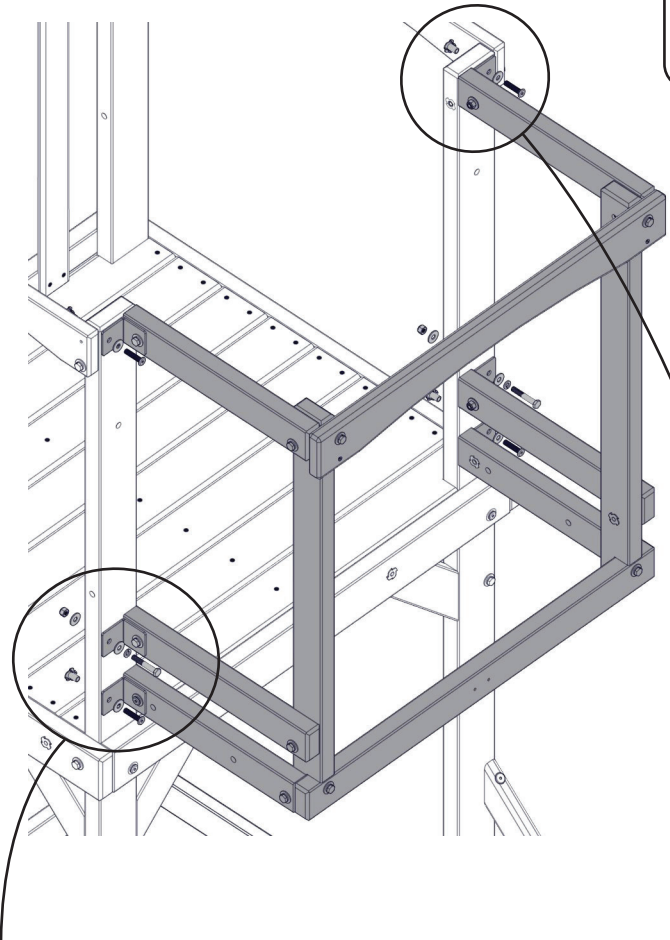
customerservice@kidkraft.com
1.800.933.0771
972.385.0100

49



Assemble T-Nuts first with hammer!

Loosen bolts as needed!
Re-tighten bolts when finished
with this step.



Hardware

2 x G8 7.9 x 50.8 mm (5/16" x 2") (FW2 x 2, LW2, LN2)

4 x WB2 7.9 x 34.9 mm (5/16 x 1-3/8") (FW2, TN2)

europecustomerservice@kidkraft.com
+31 20 305 8620
M-F from 09:00 to 17:30 (GMT+1)

parts.kidkraft.eu

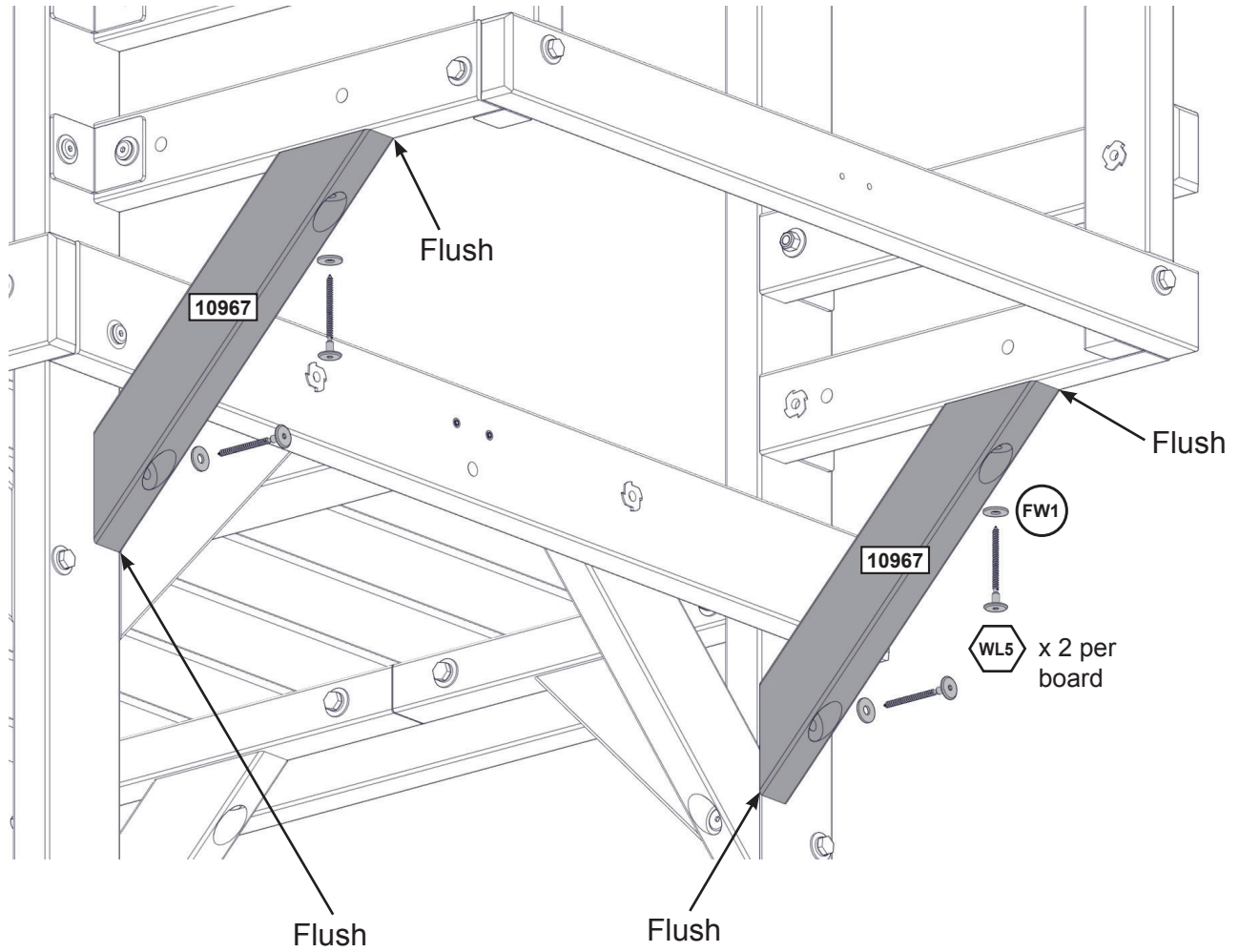


Pre-drill each hole using a 1/8" drill bit for WL5.

Note: Structure partly removed for clarity.



Underneath View



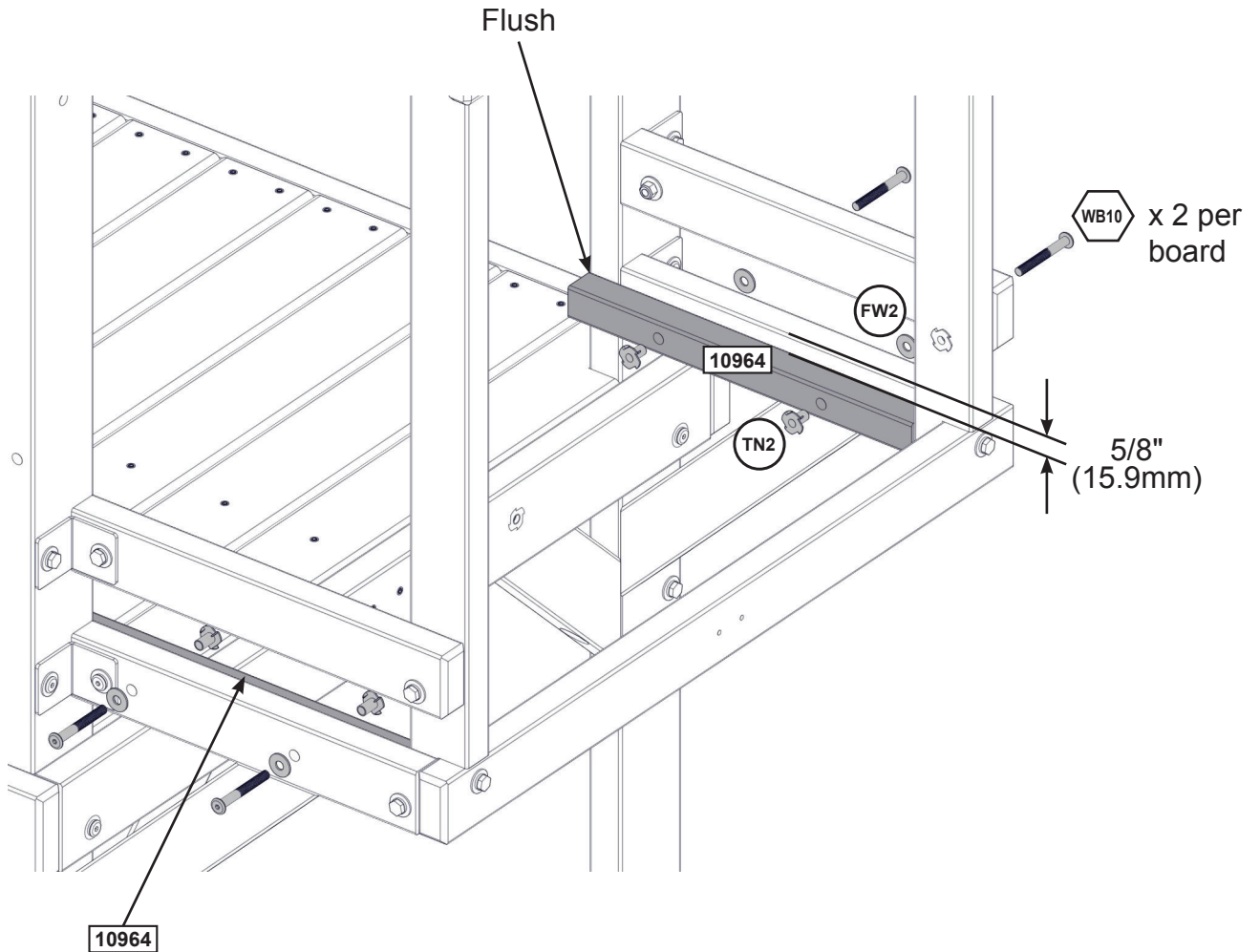
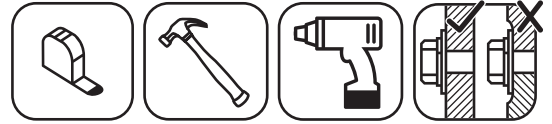
Wood Parts

2 x 10967 31.8 x 63.5 x 381 mm (1 1/4" x 2 1/2" x 15")

Hardware

4 x WL5 6.4 x 63.5 mm (1/4 x 2-1/2") (FW1)

Assemble T-Nuts first with hammer!



Wood Parts

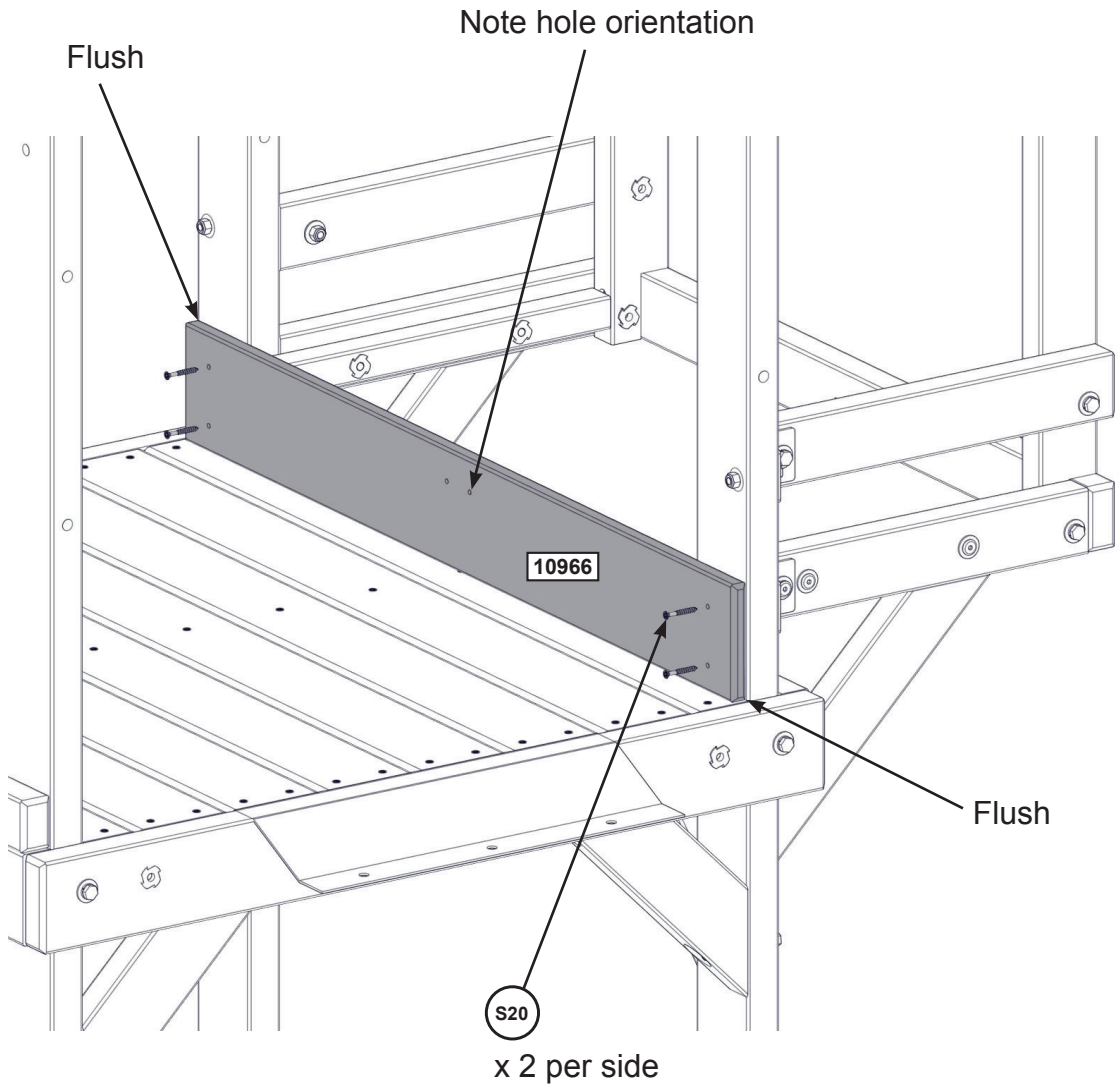
2 x **10964** 31.8 x 31.8 x 376 mm (1 1/4" x 1 1/4" x 14 13/16")

Hardware

4 x **WB10** 7.9 x 66.6 mm (5/16 x 2-5/8") (FW2, TN2)



Note: Structure partly removed for clarity.



Wood Parts

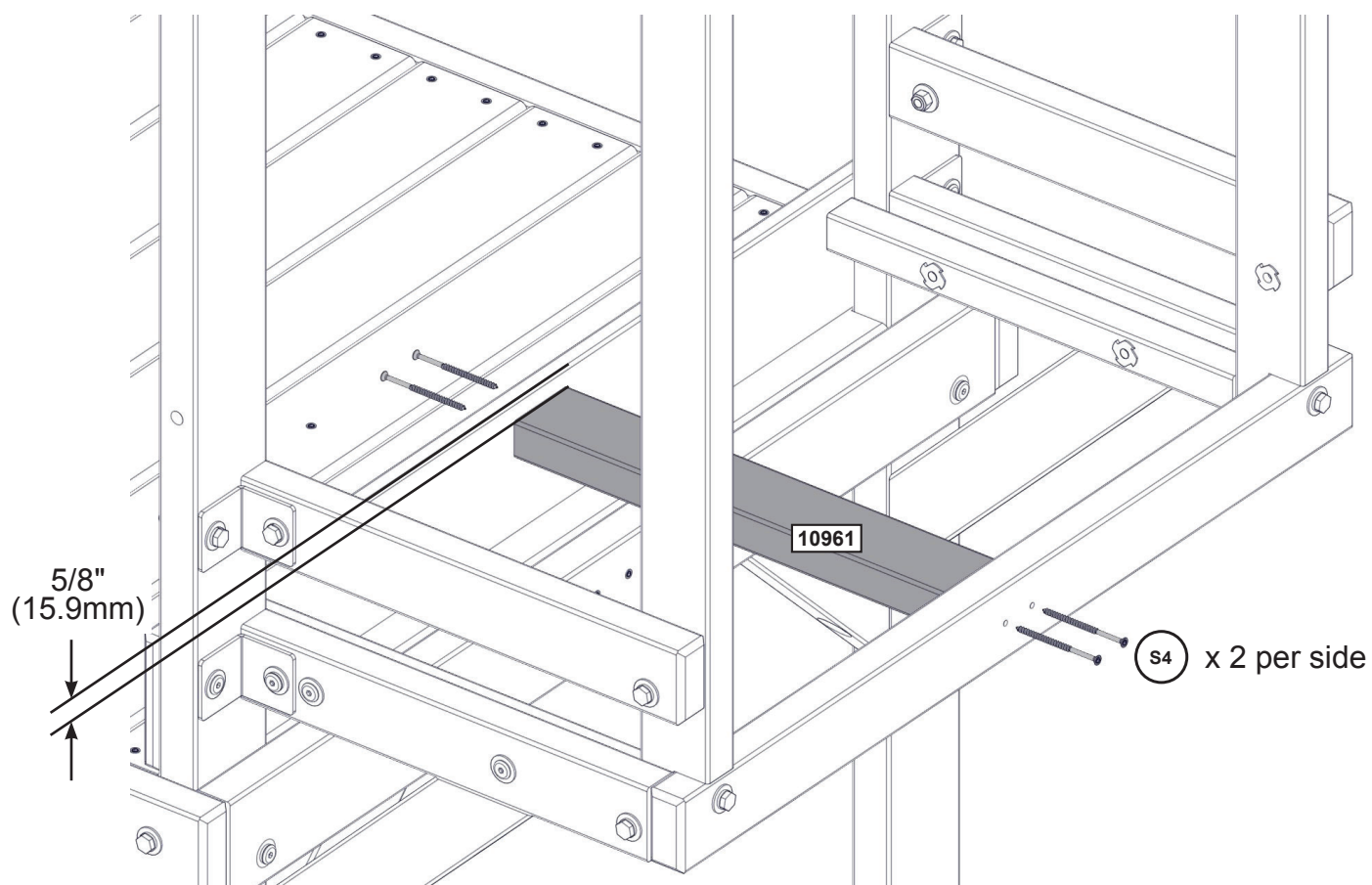
1 x **10966** 15.9 x 114.3 x 914.4 mm (5/8" x 4 1/2" x 36")

Hardware

4 x **S20** #8 x 34.9 mm (#8 x 1-3/8")



Note: Structure partly removed for clarity.

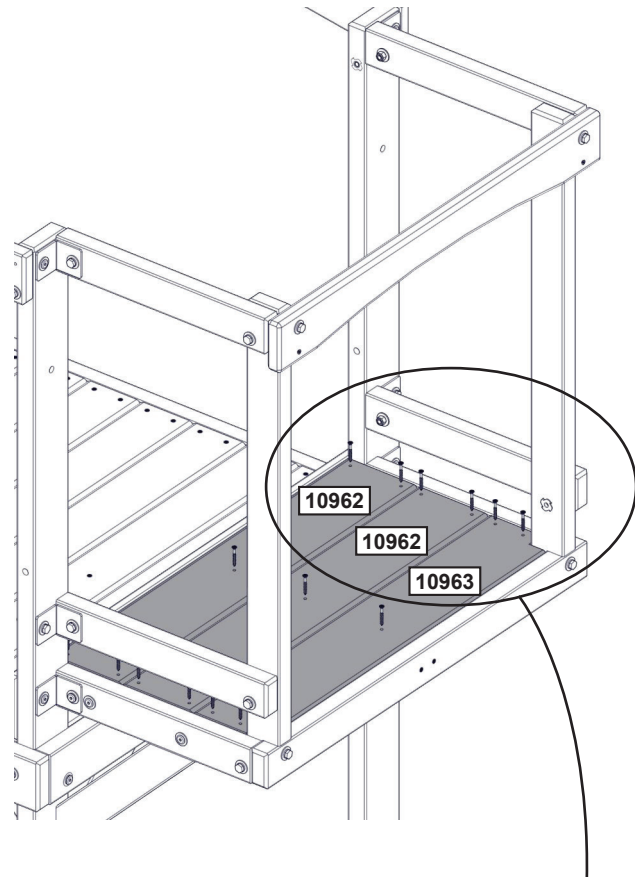
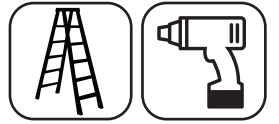


Wood Parts

1 x **10961** 31.8 x 63.5 x 411.5 mm (1 1/4" x 2 1/2" x 16 3/16")

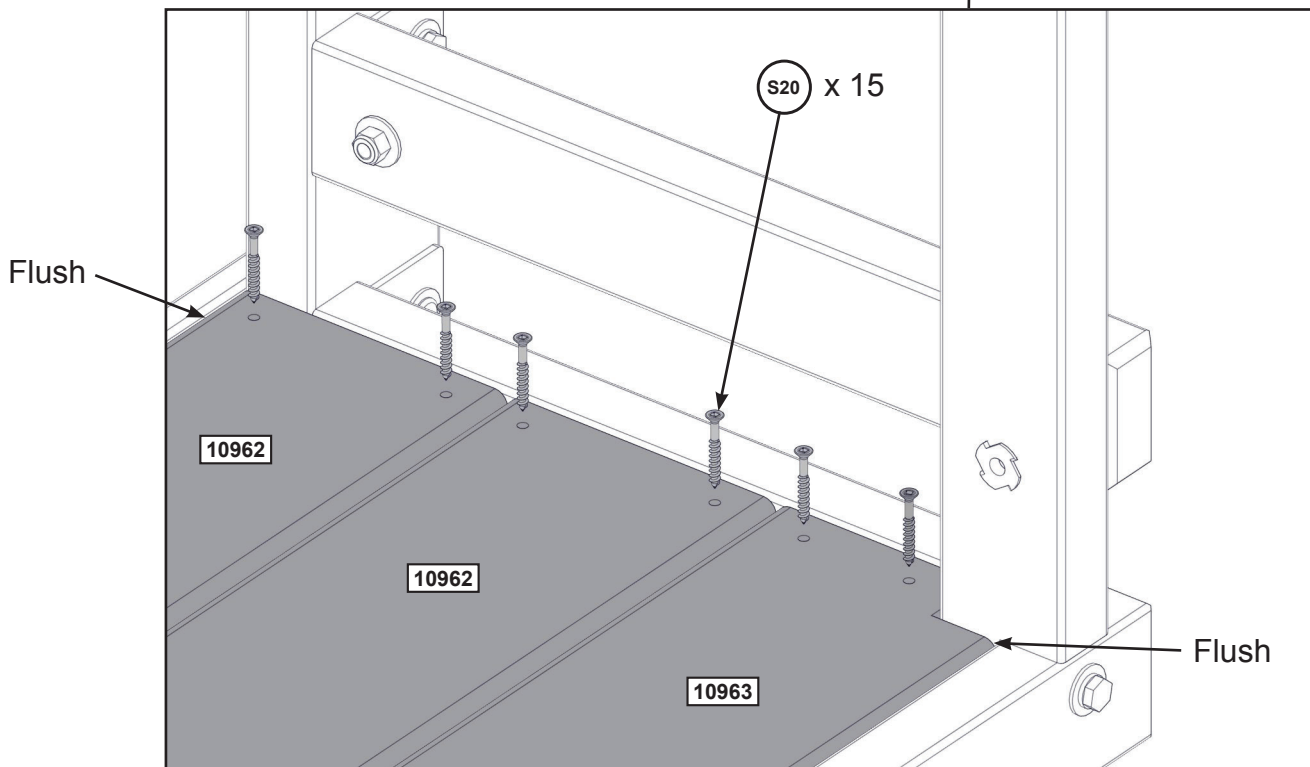
Hardware

4 x **S4** #8 x 76.2 mm (#8 x 3")



Evenly space the boards.

Note: Structure partly removed for clarity.



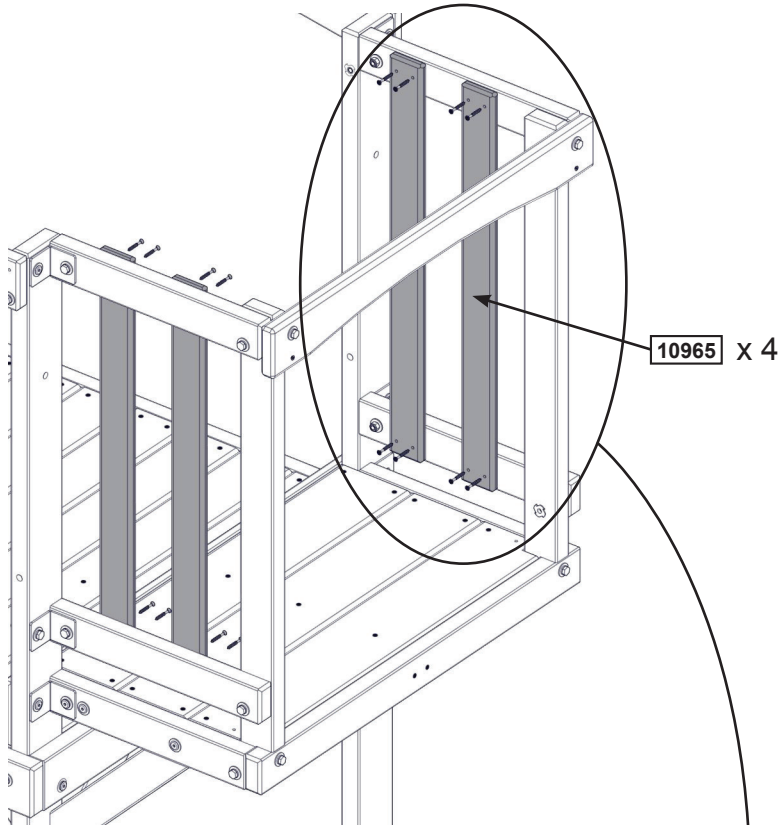
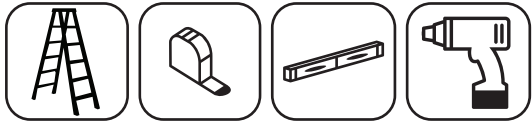
Wood Parts

- 2 x **10962** 15.9 x 136.5 x 739 mm (5/8" x 5 3/8" x 29 1/8")
- 1 x **10963** 15.9 x 136.5 x 739 mm (5/8" x 5 3/8" x 29 1/8")

Hardware

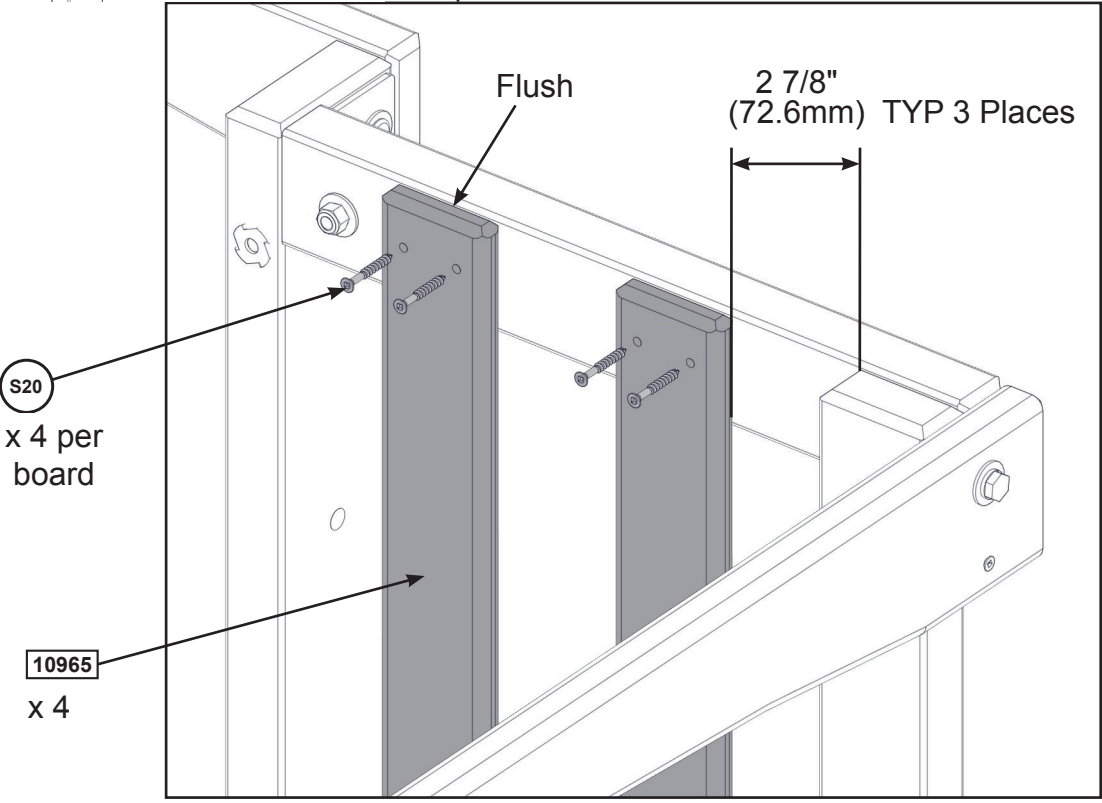
- 15 x **S20** #8 x 34.9 mm (#8 x 1-3/8")

55



10965 x 4

Note: Structure partly removed for clarity.



S20
x 4 per
board

10965
x 4

Flush

2 7/8"
(72.6mm) TYP 3 Places

Wood Parts

4 x 10965 15.9 x 63.5 x 715 mm (5/8" x 2 1/2" x 28 1/8")

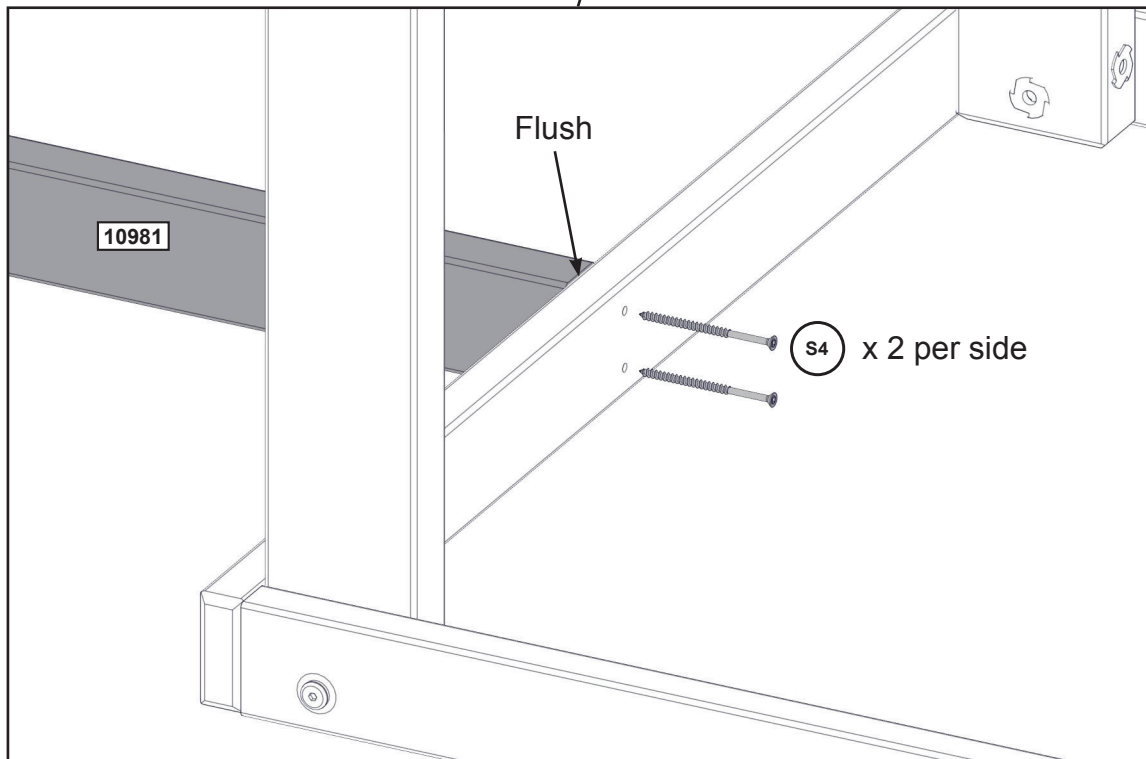
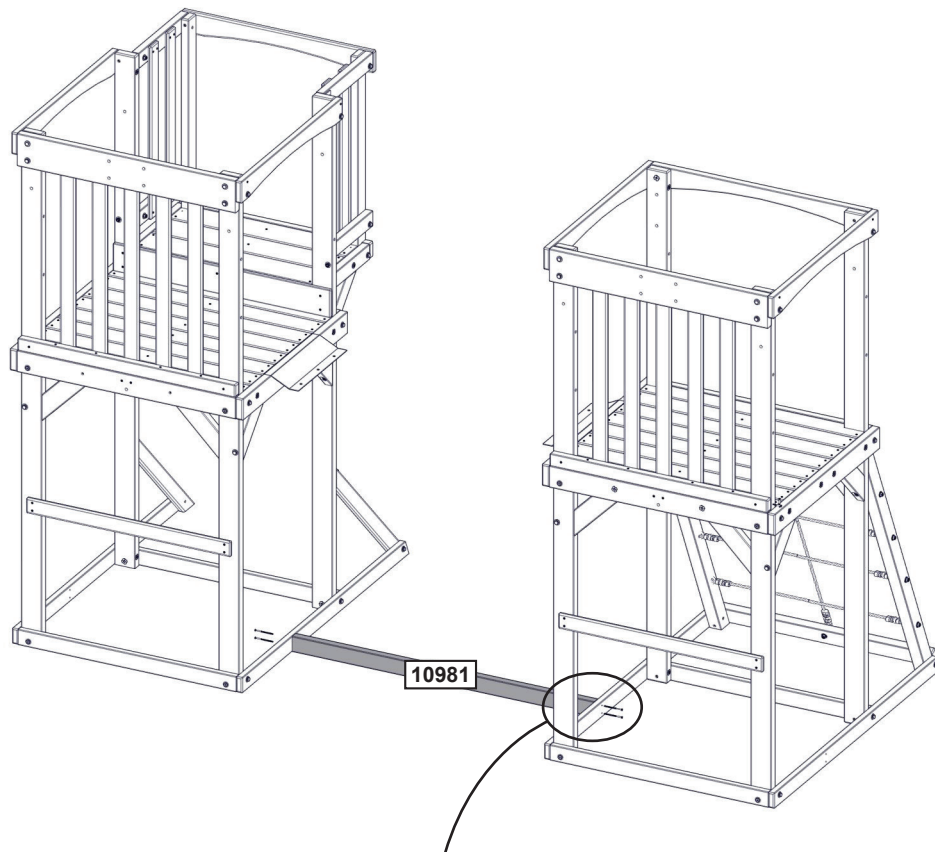
Hardware

16 x S20 #8 x 34.9 mm (#8 x 1-3/8")

europcustomerservice@kidkraft.com
+31 20 305 8620
M-F from 09:00 to 17:30 (GMT+1)

parts.kidkraft.eu





Wood Parts

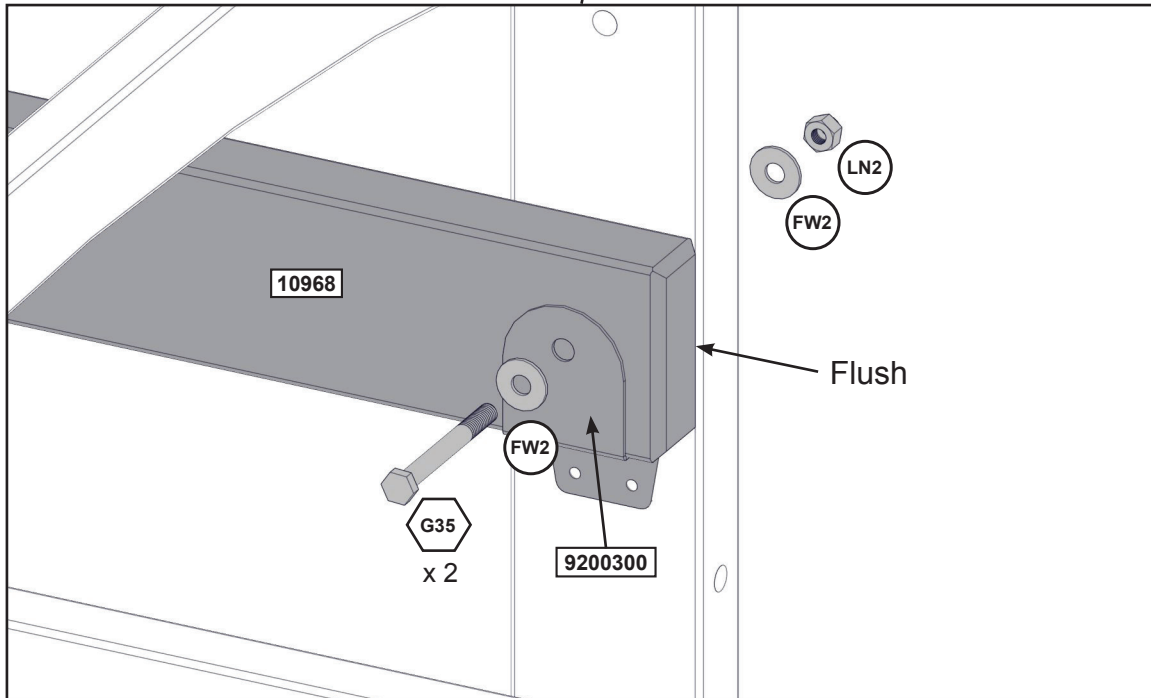
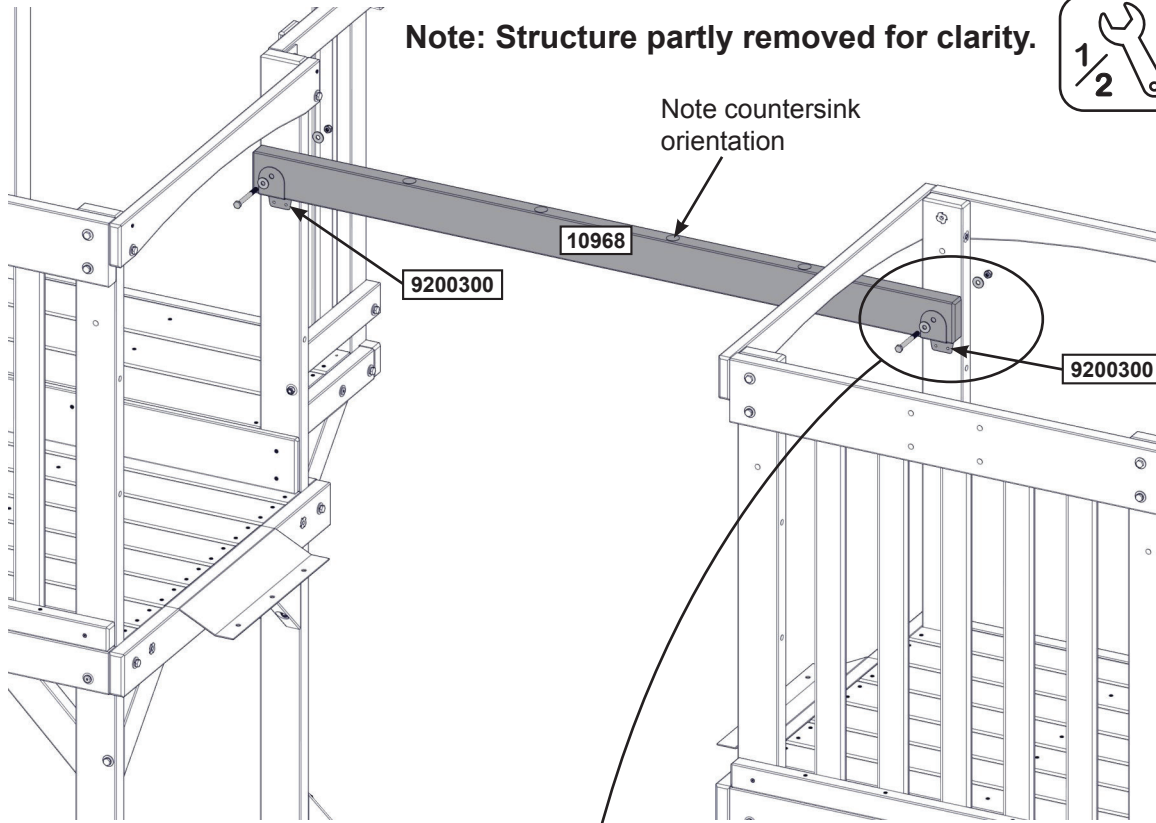
1 x **10981** 31.8 x 63.5 x 1267 mm (1 1/4" x 2 1/2" x 49 7/8")

Hardware

4 x **S4** #8 x 76.2 mm (#8 x 3")

57

Note: Structure partly removed for clarity.



Wood Parts

1 x 10968 34.9 x 85.7 x 1489.6 mm (1 3/8" x 3 3/8" x 58 5/8")

Hardware

2 x G35 7.9 x 82.6 mm (5/16" x 3-1/4") (FW2 x 2, LN2)

Other Parts

2 x 9200300

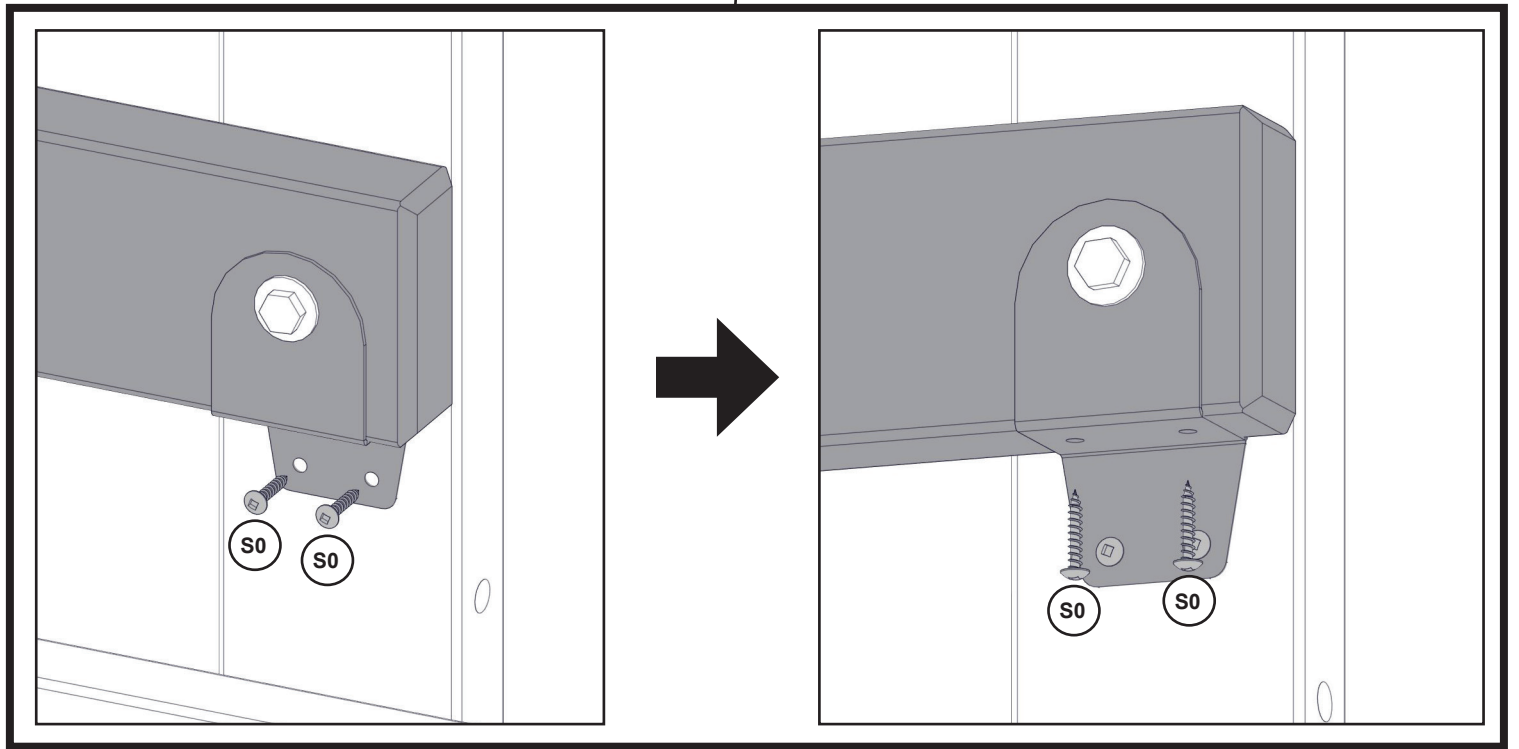
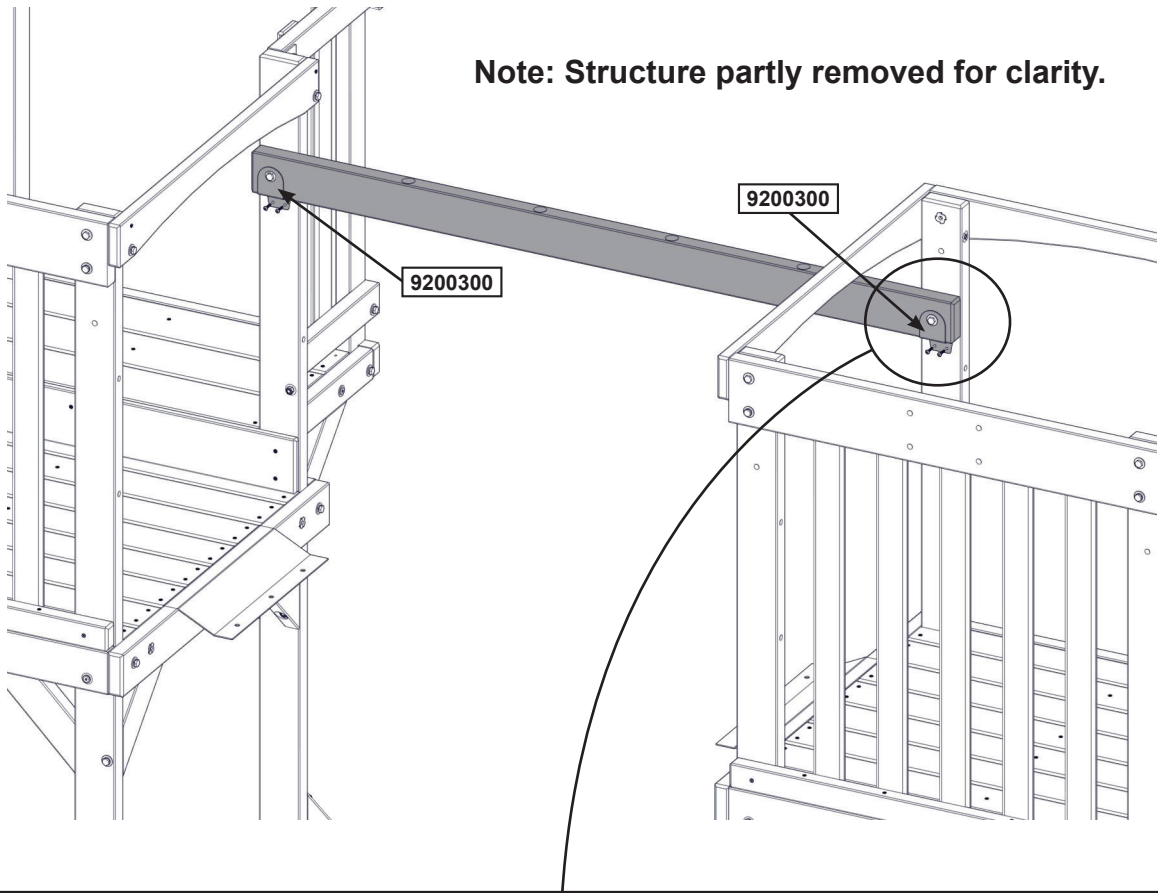
europcustomerservice@kidkraft.com
+31 20 305 8620
M-F from 09:00 to 17:30 (GMT+1)

parts.kidkraft.eu





Note: Structure partly removed for clarity.

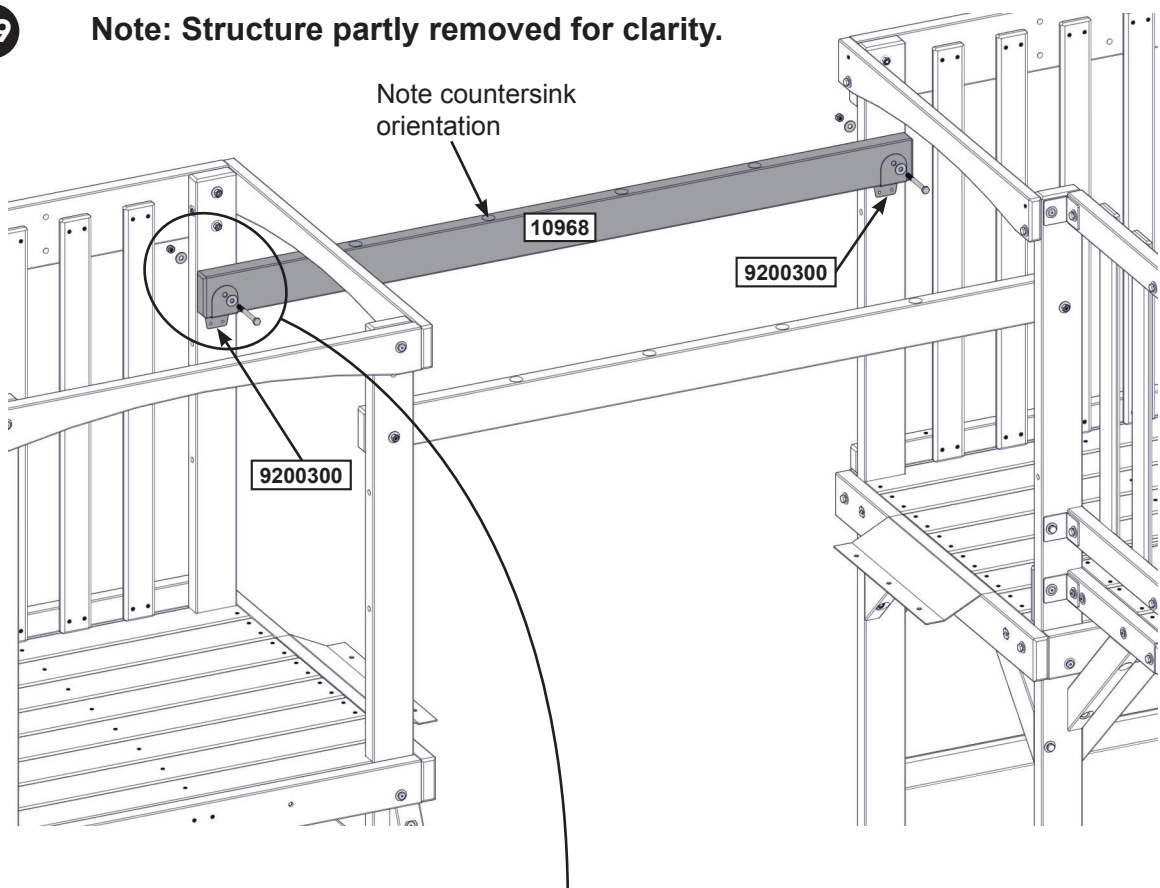


Hardware

8 x  #8 x 22.2 mm (#8 x 7/8")

59

Note: Structure partly removed for clarity.

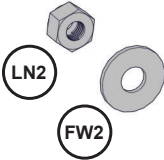
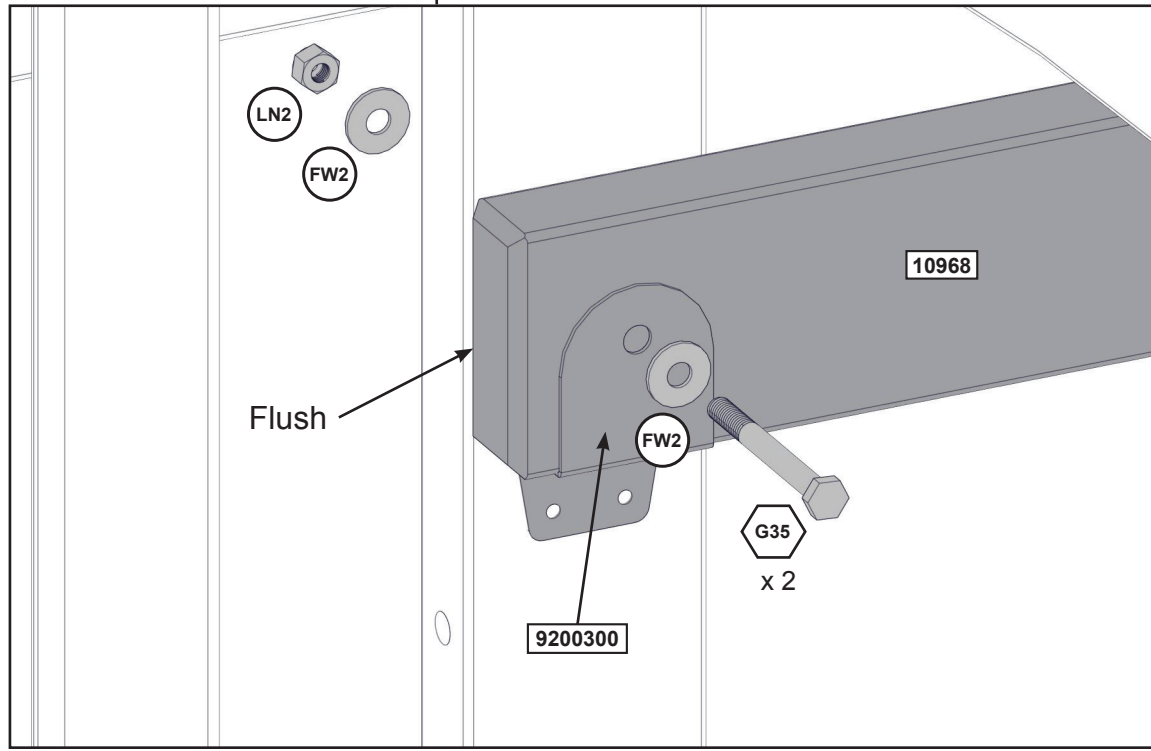


Note countersink orientation

10968

9200300

9200300



Flush

FW2

10968

G35
x 2

9200300

Wood Parts

1 x 10968 34.9 x 85.7 x 1489.6 mm (1 3/8" x 3 3/8" x 58 5/8")

Hardware

2 x G35 7.9 x 82.6 mm (5/16" x 3-1/4") (FW2 x 2, LN2)

Other Parts

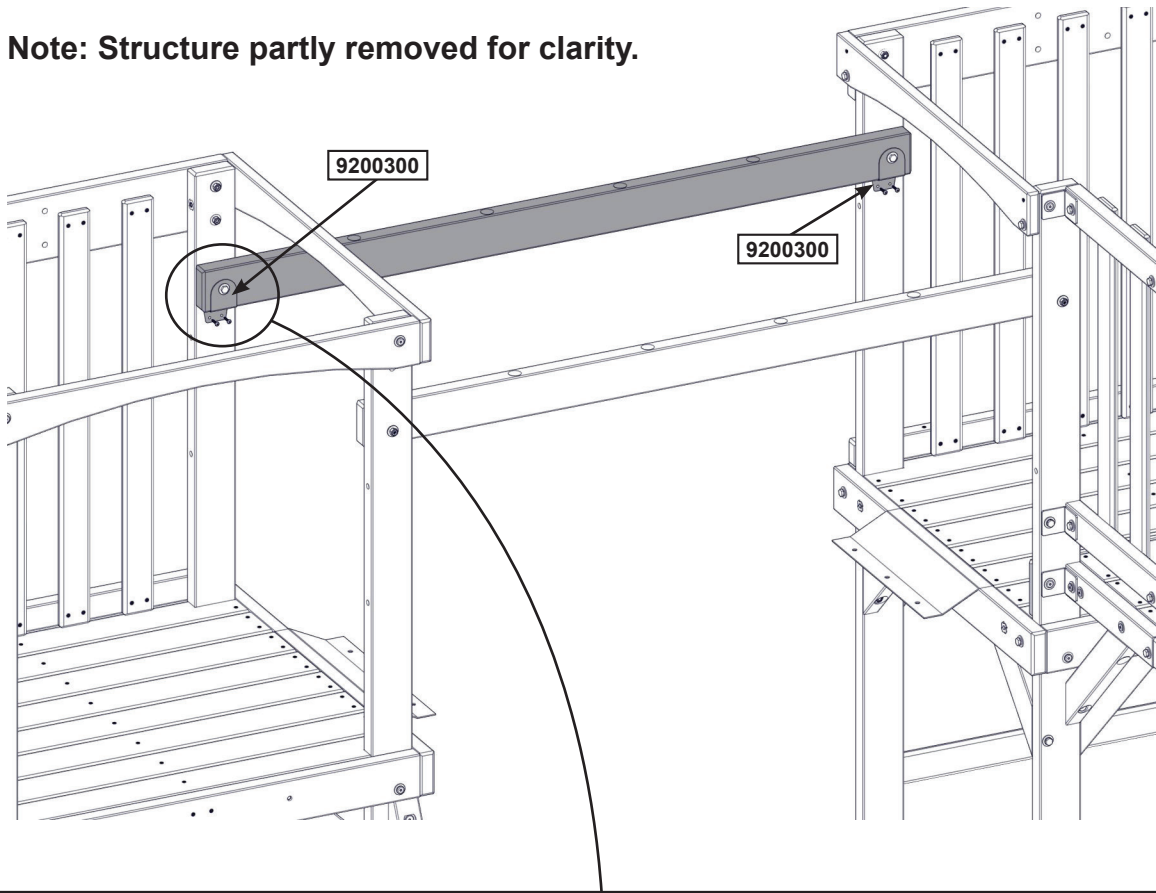
2 x 9200300

europcustomerservice@kidkraft.com
+31 20 305 8620
M-F from 09:00 to 17:30 (GMT+1)

parts.kidkraft.eu

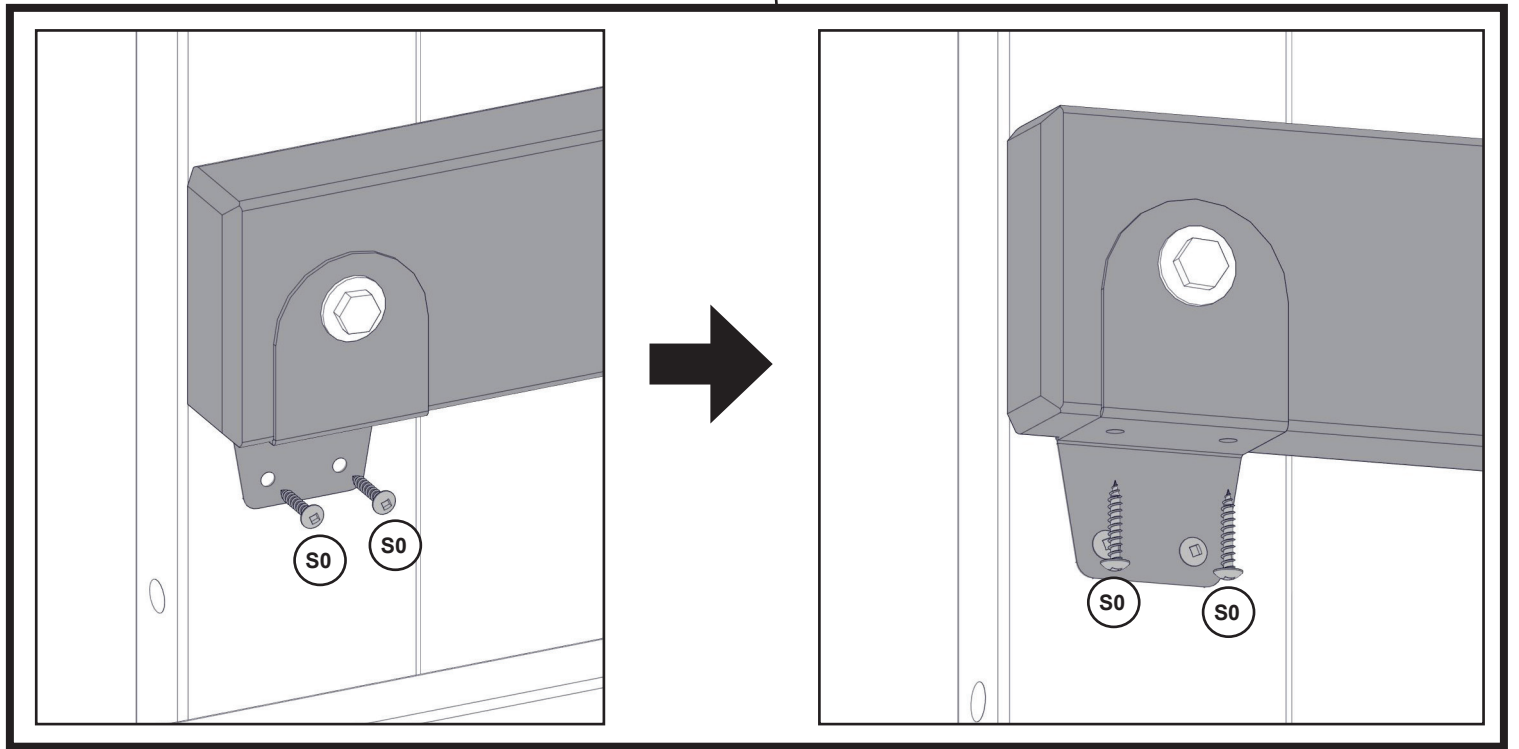


Note: Structure partly removed for clarity.



9200300

9200300

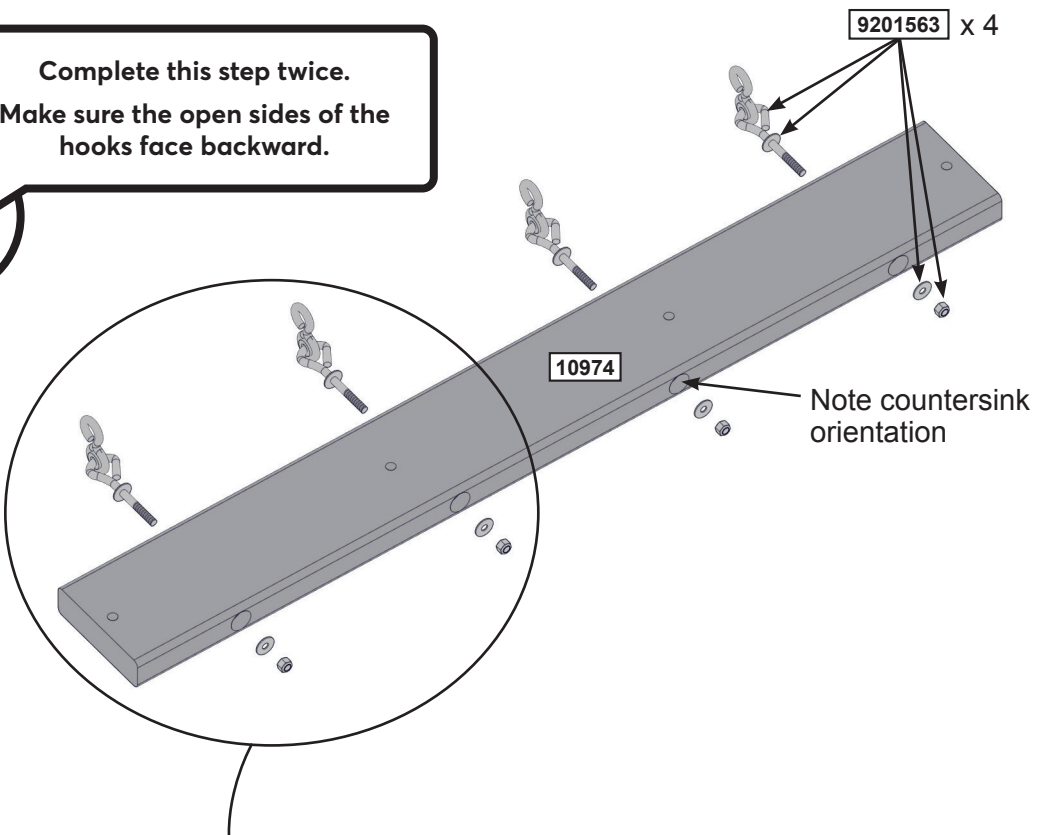
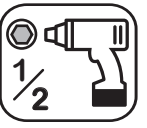


Hardware

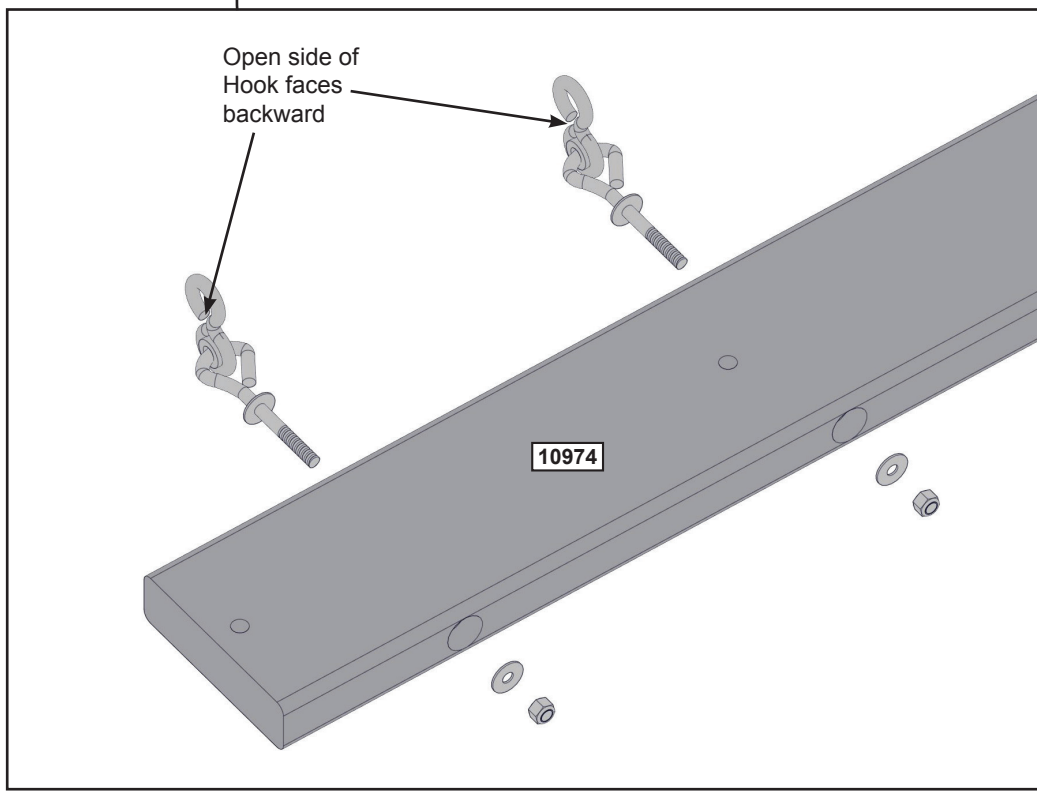
8 x  #8 x 22.2 mm (#8 x 7/8")

61

Complete this step twice.
Make sure the open sides of the
hooks face backward.



Note countersink
orientation



Wood Parts

2 x **10974** 38.1 x 136.5 x 1102.2 mm (1 1/2" x 5 3/8" x 43 3/8")

Other Parts

8 x **9201563**

europcustomerservice@kidkraft.com
+31 20 305 8620
M-F from 09:00 to 17:30 (GMT+1)

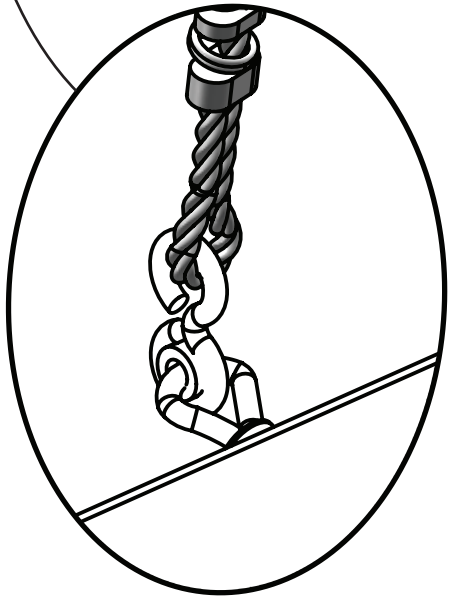
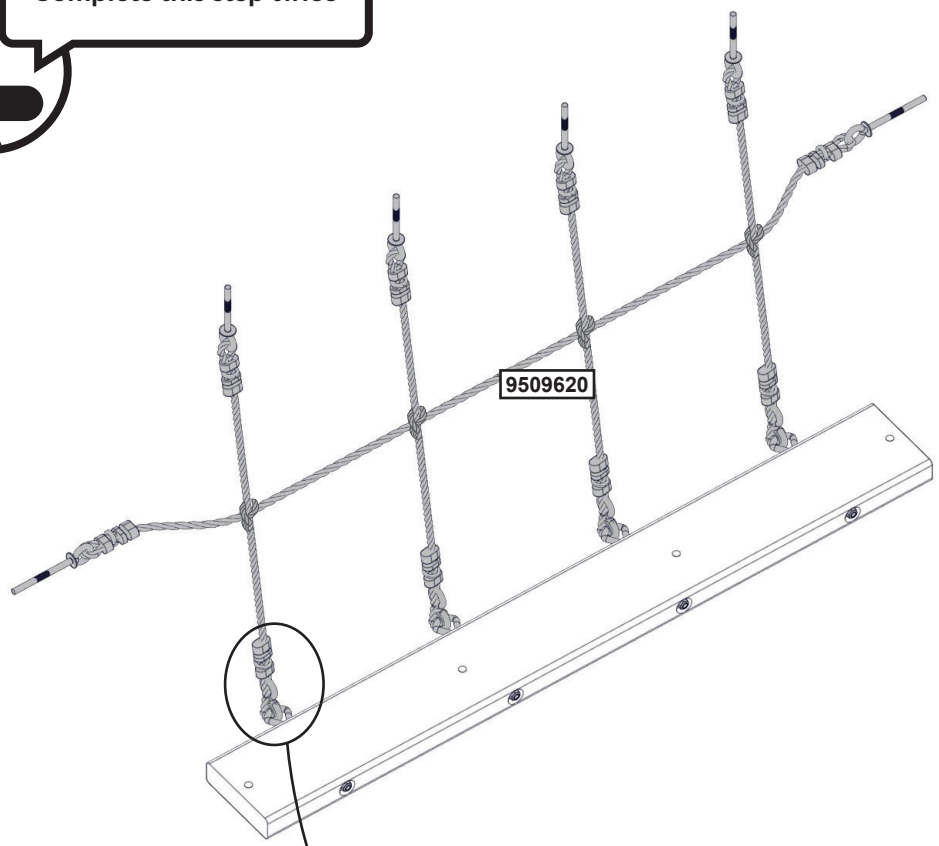
parts.kidkraft.eu



62



Complete this step twice



Other Parts

2 x **9509620**

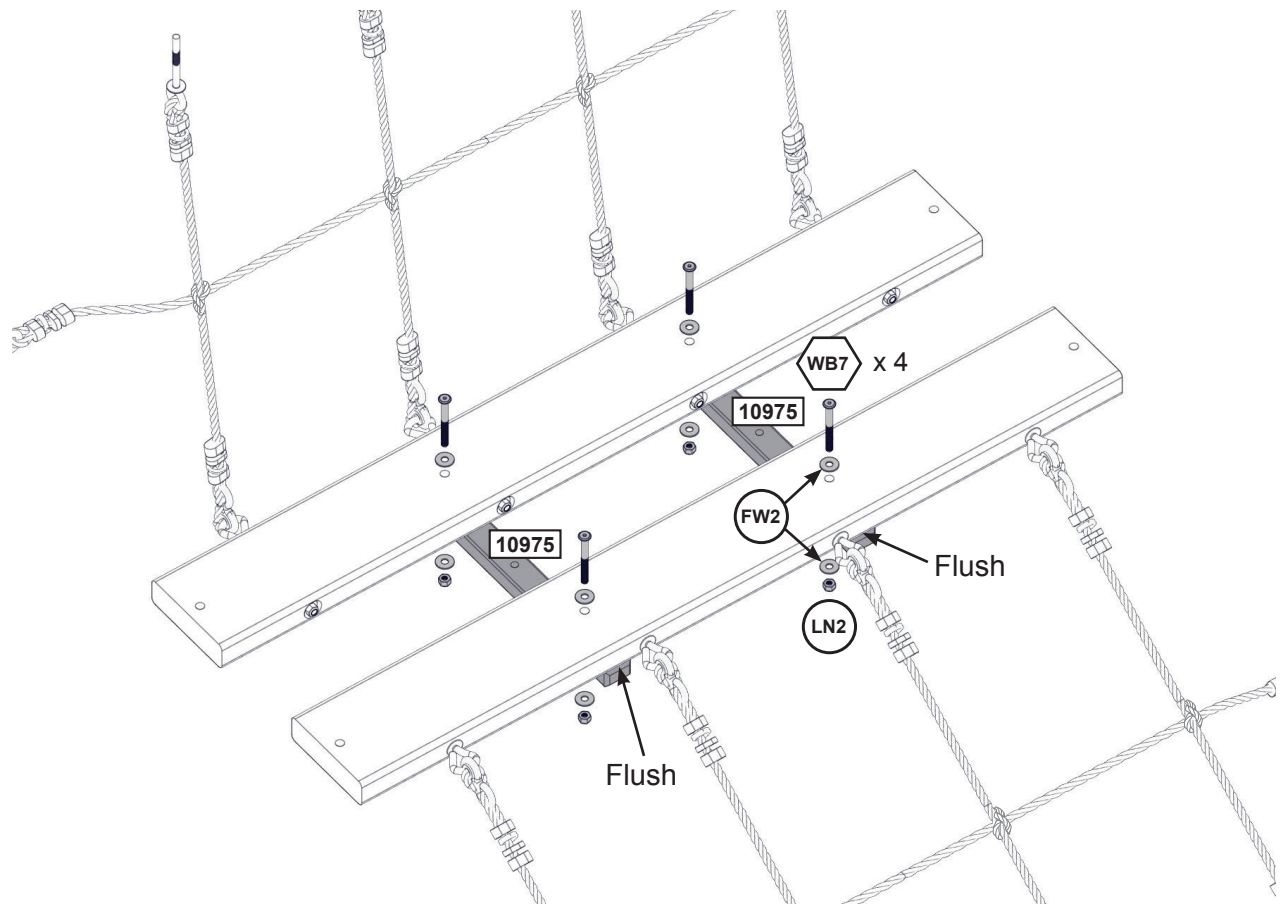
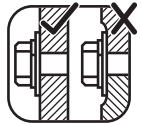


parts.kidkraft.com

customerservice@kidkraft.com
1.800.933.0771
972.385.0100



Do not tighten bolts until next Step.



Note: Structure partly removed for clarity.

Wood Parts

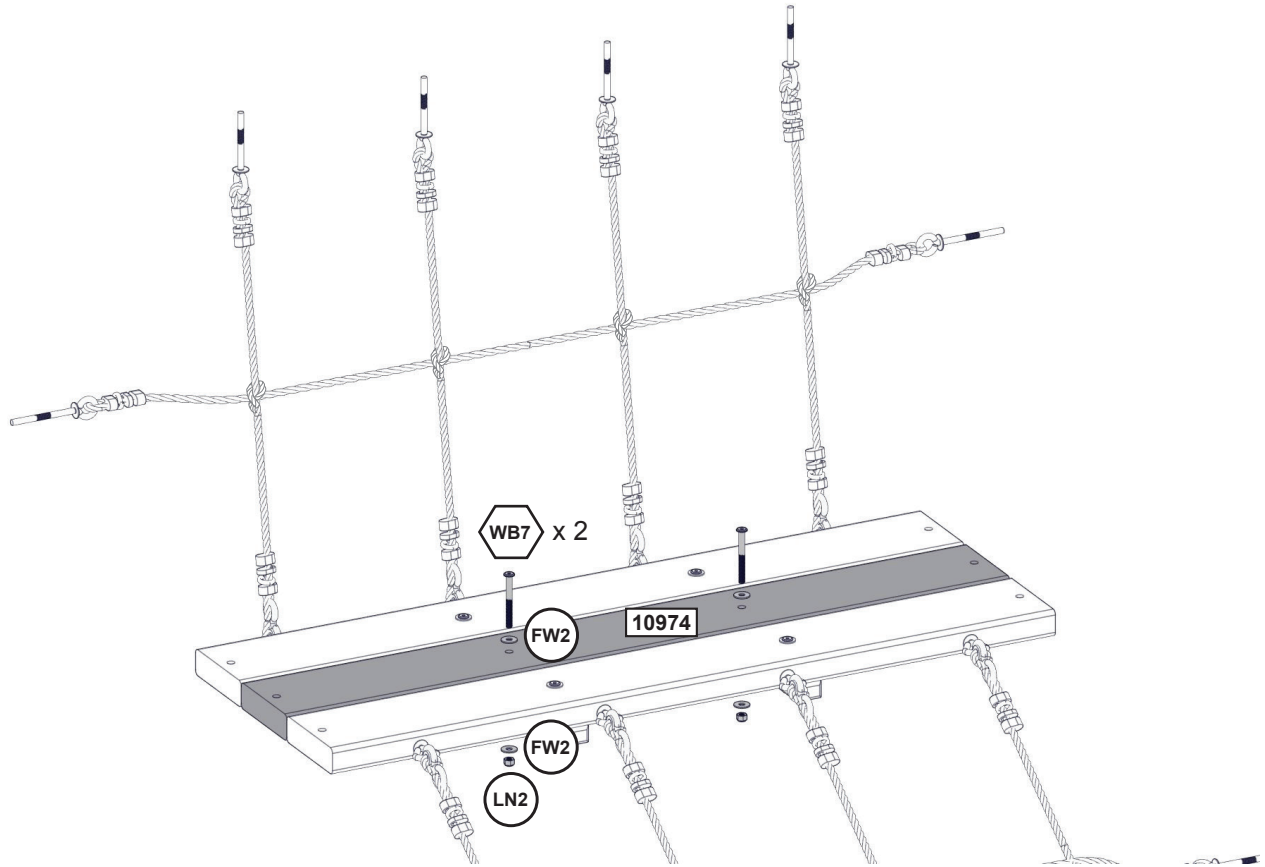
2 x 10975 25.4 x 34.9 x 409.5 mm (1" x 1 3/8" x 16 1/8")

Hardware

4 x WB7 7.9 x 76.2 mm (5/16 x 3") (FW2 x 2, LN2)



Tighten all Bolts.



Wood Parts

1 x 10974 38.1 x 136.5 x 1102.2 mm (1 1/2" x 5 3/8" x 43 3/8")

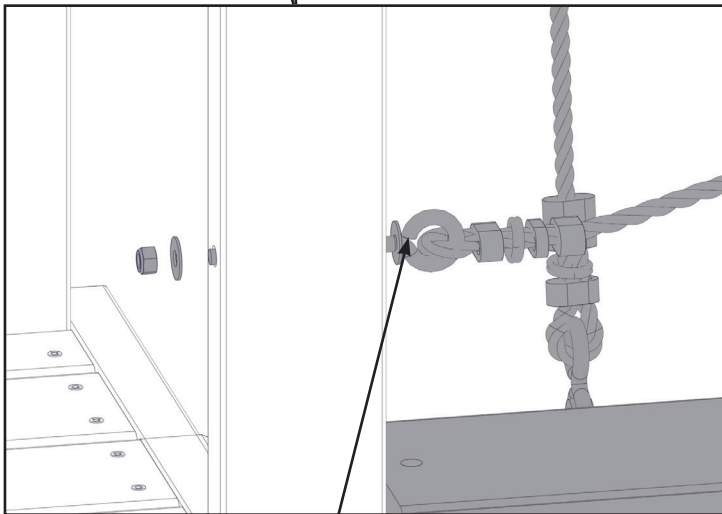
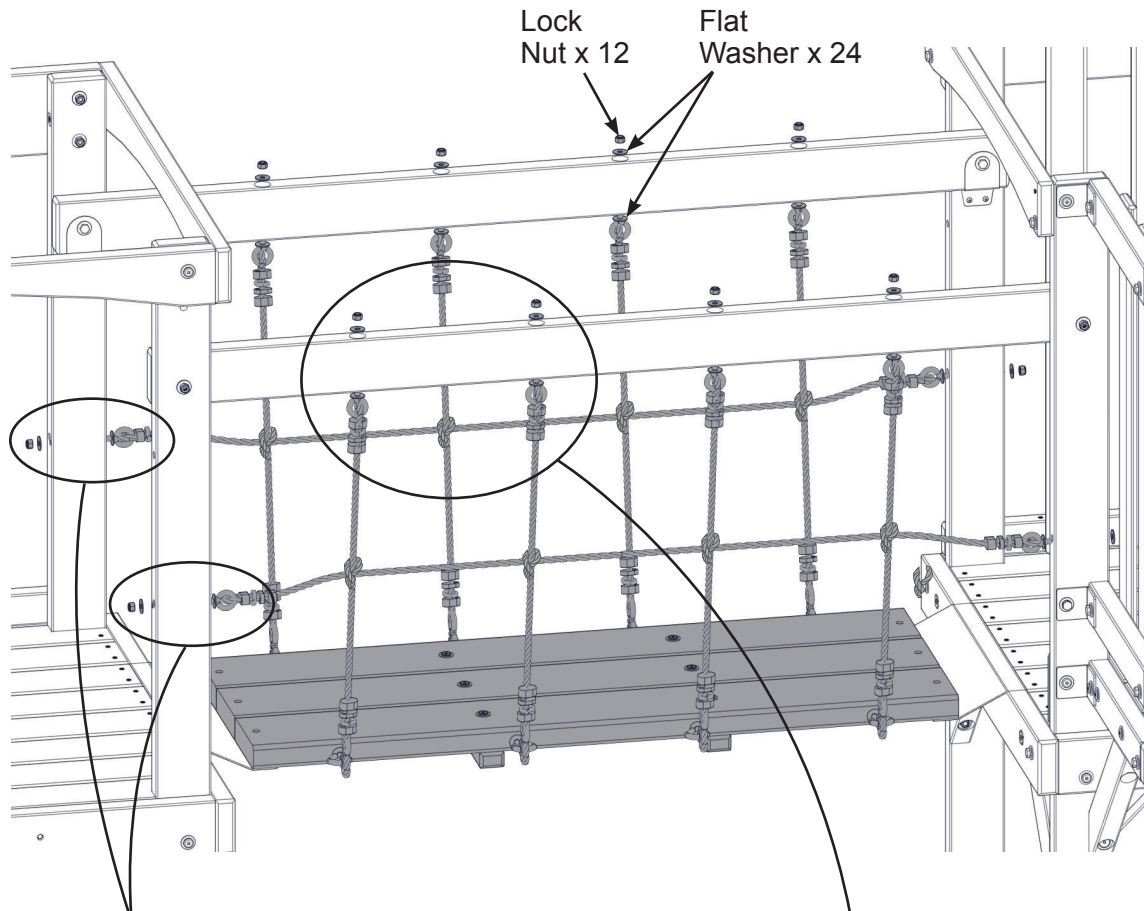
Hardware

2 x WB7 7.9 x 76.2 mm (5/16 x 3") (FW2 x 2, LN2)

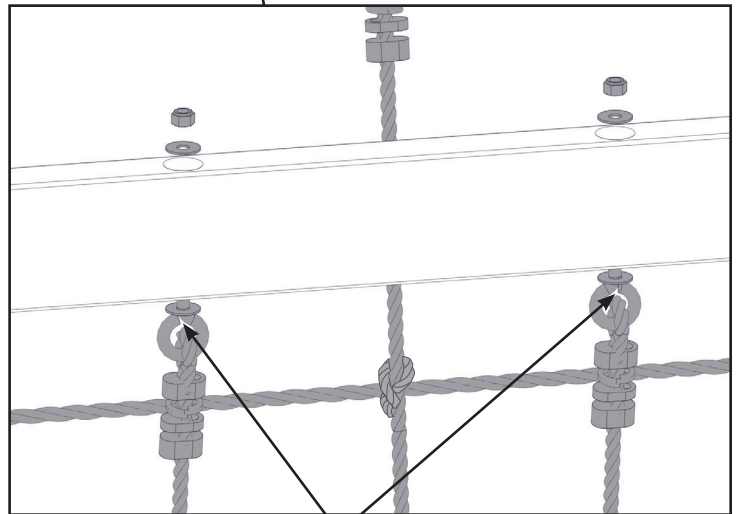
65

Fasteners included in rope bag.

Note: Structure partly removed for clarity.



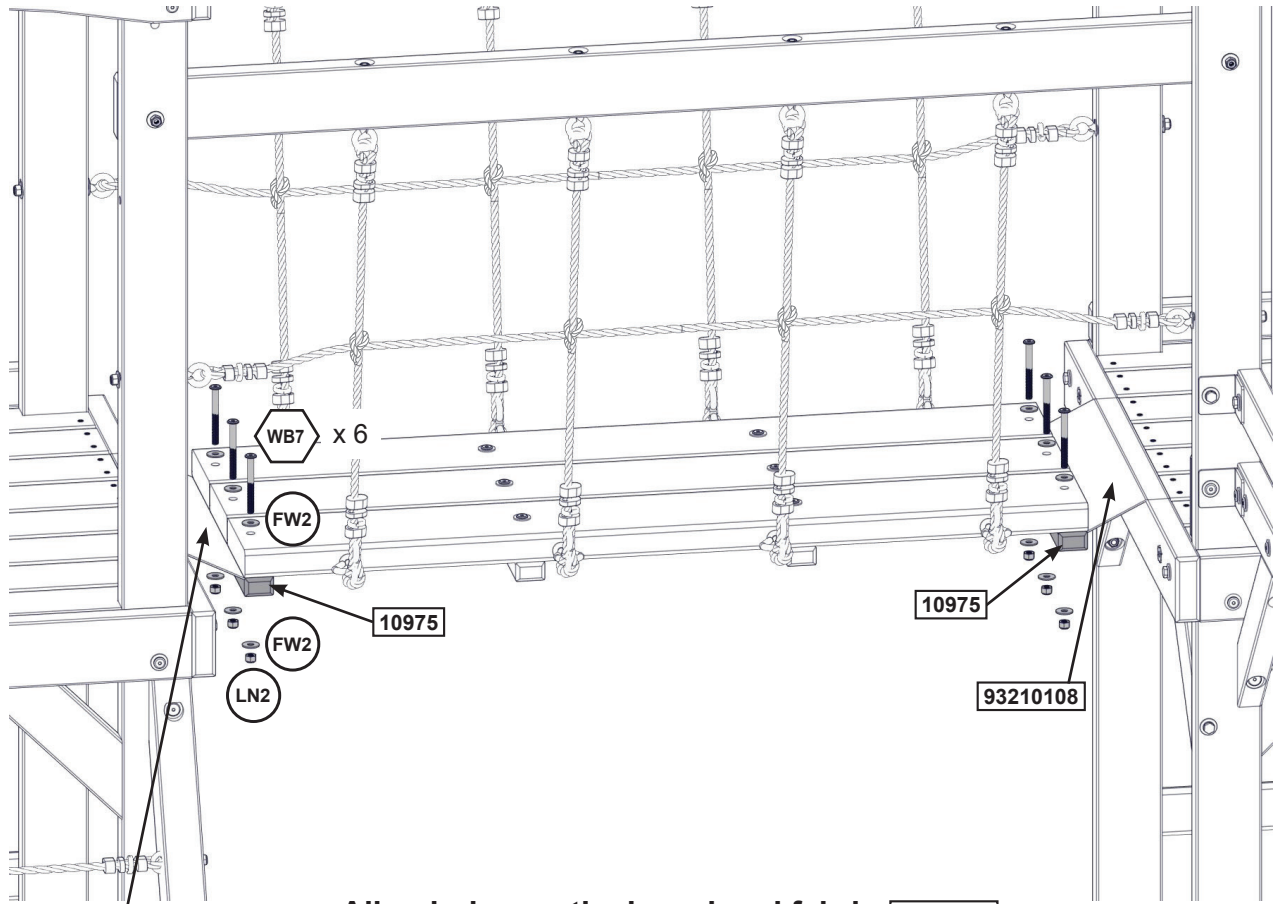
Open side of Hook faces upward.



Make sure the open sides of the hooks face AWAY from each other.



Note: Structure partly removed for clarity.



Align holes on the board and fabric 93210108 before attach bolts.

Wood Parts

2 x 10975 25.4 x 34.9 x 409.5 mm (1" x 1 3/8" x 16 1/8")

Hardware

6 x WB7 7.9 x 76.2 mm (5/16 x 3") (FW2 x 2, LN2)



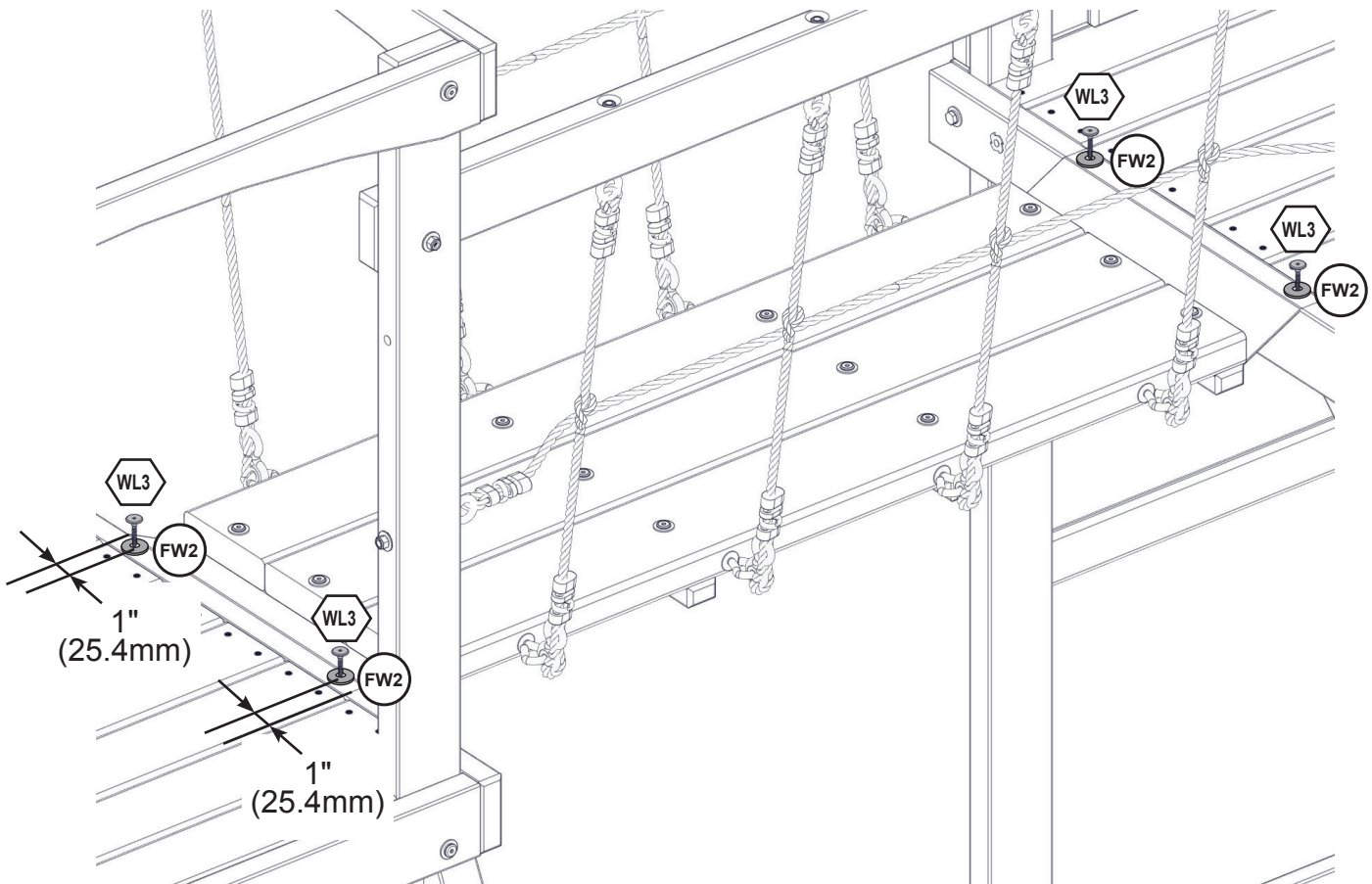
parts.kidkraft.com

customerservice@kidkraft.com
1.800.933.0771
972.385.0100



Pre-drill each hole using a 1/8" drill bit for WL3.

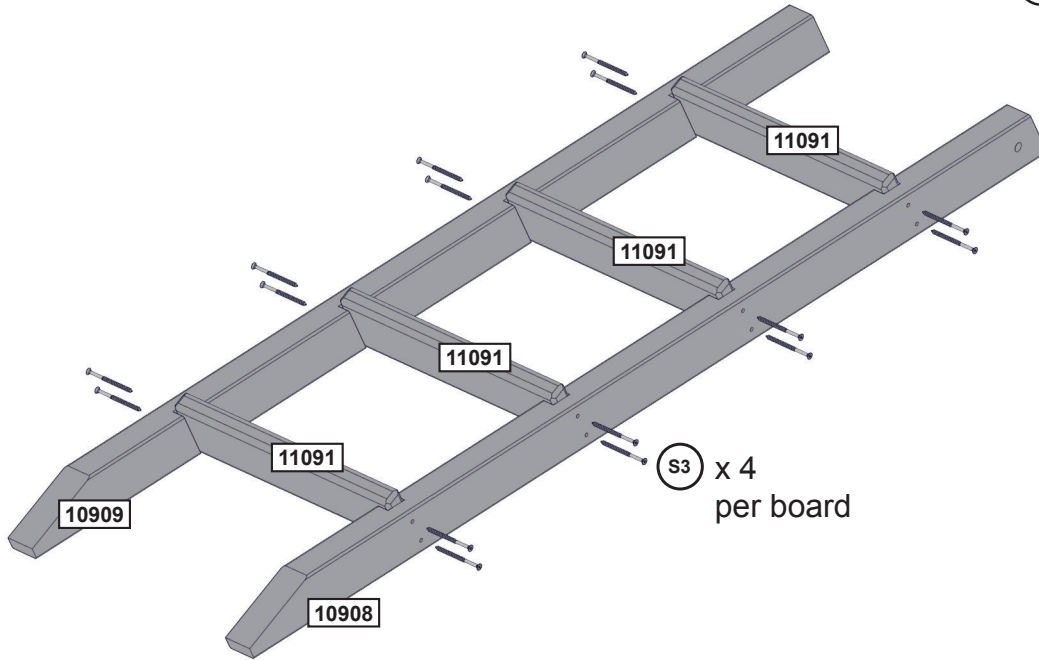
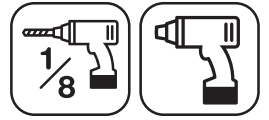
Note: Structure partly removed for clarity.



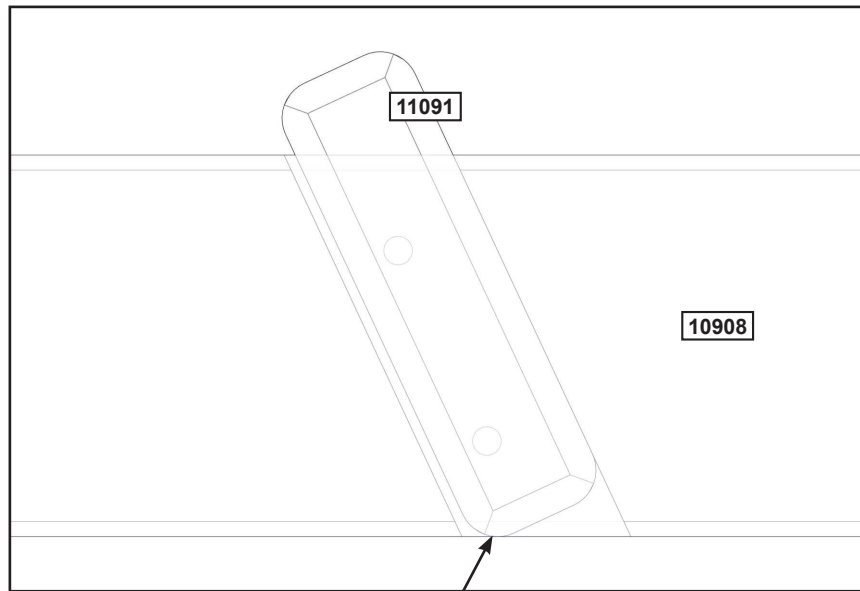
Hardware

4 x  6.4 x 34.9 mm (1/4 x 1-3/8") (FW2)

Pre-drill holes using a 1/8" drill bit.



End View



Wood Parts

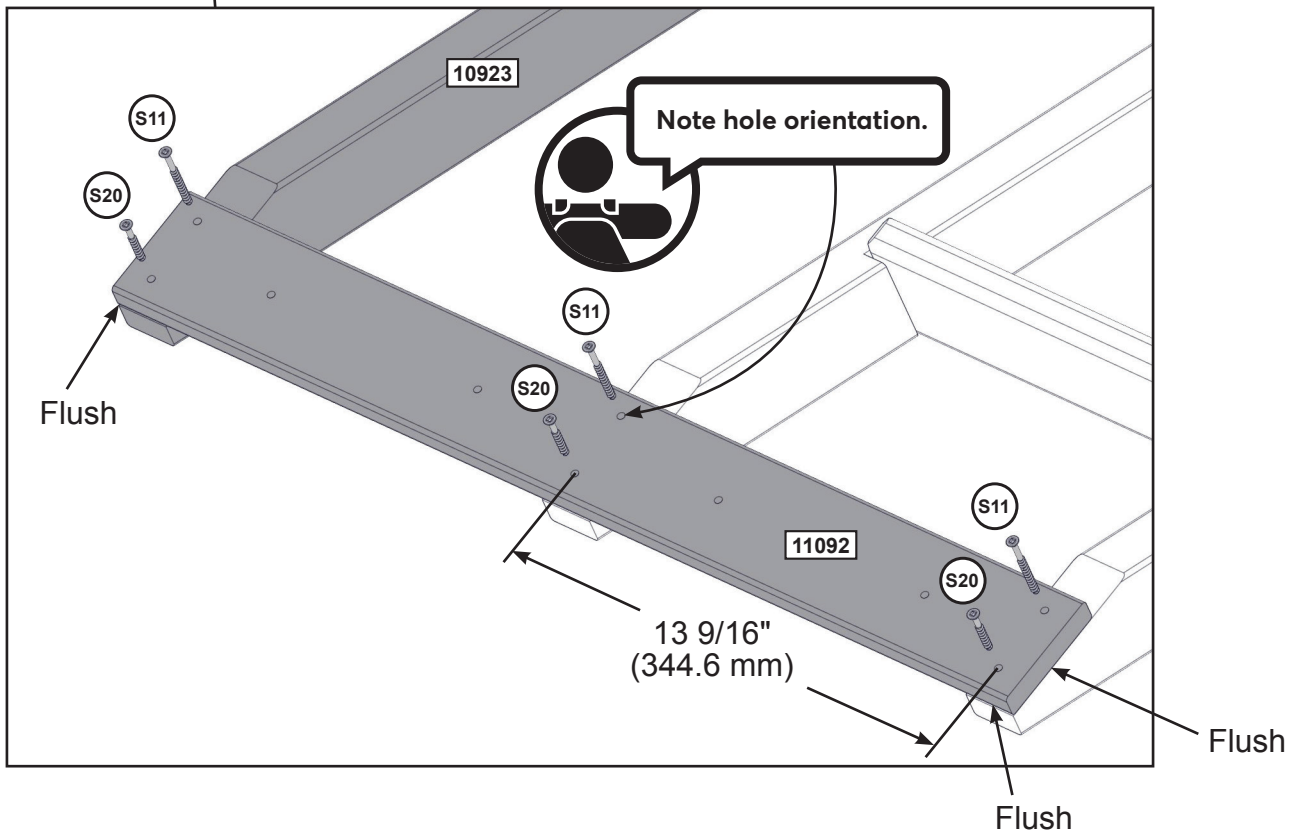
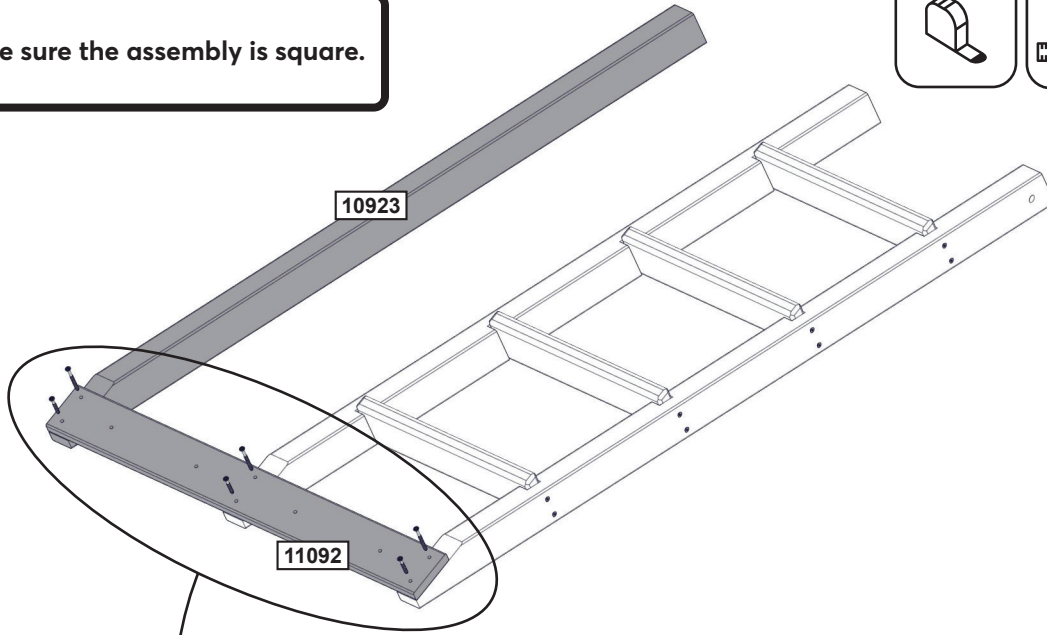
- 1 x 10908 34.9 x 63.5 x 1353.3 mm (1 3/8" x 2 1/2" x 53 1/4")
- 1 x 10909 34.9 x 63.5 x 1353.3 mm (1 3/8" x 2 1/2" x 53 1/4")
- 4 x 11091 23.8 x 82.6 x 341.3 mm (15/16" x 3 1/4" x 13 7/16")

Hardware

- 16 x S3 #8 x 63.5mm (#8 x 2-1/2")

69

Make sure the assembly is square.



Wood Parts

- 1 x **11092** 15.9 x 76.2 x 692.2 mm (5/8" x 3" x 27 1/4")
- 1 x **10923** 34.9 x 63.5 x 1353.3 mm (1 3/8" x 2 1/2" x 53 1/4")

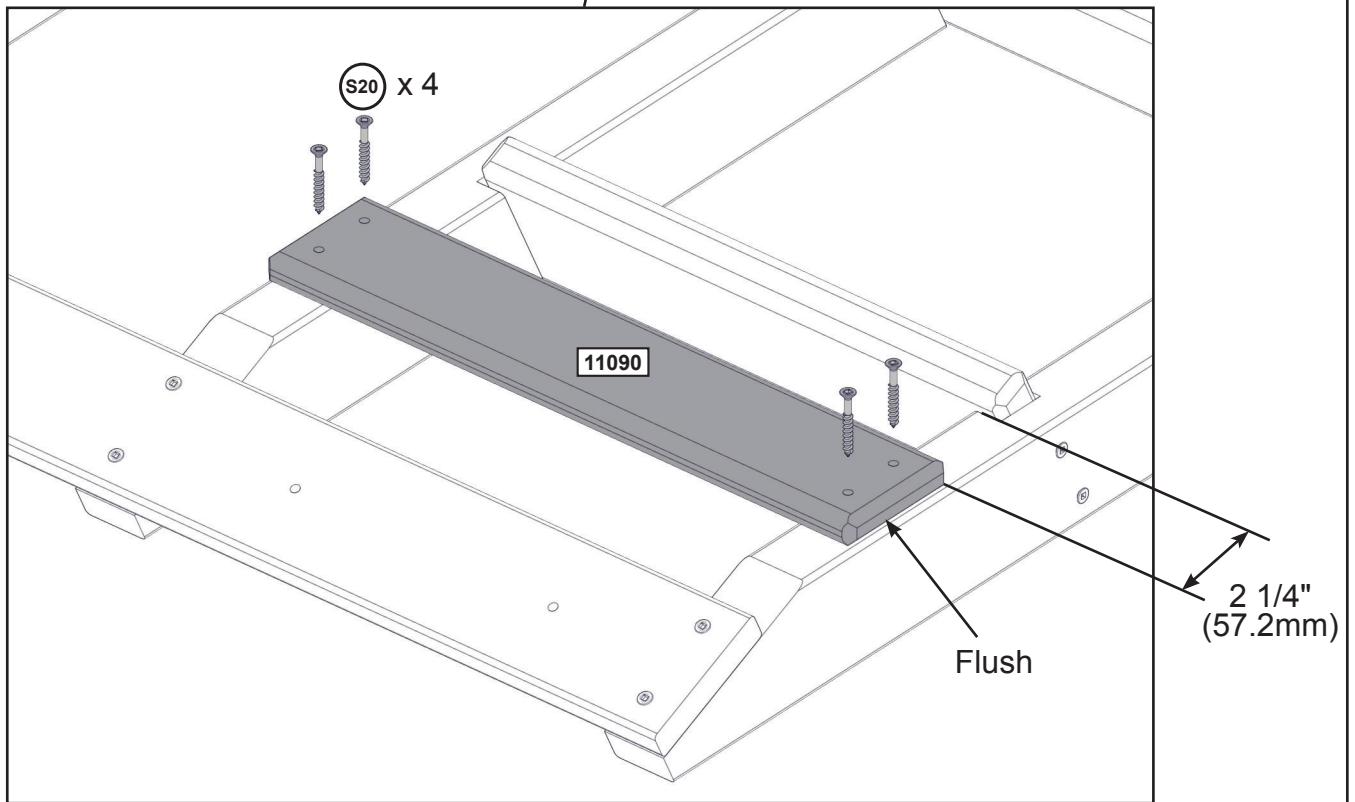
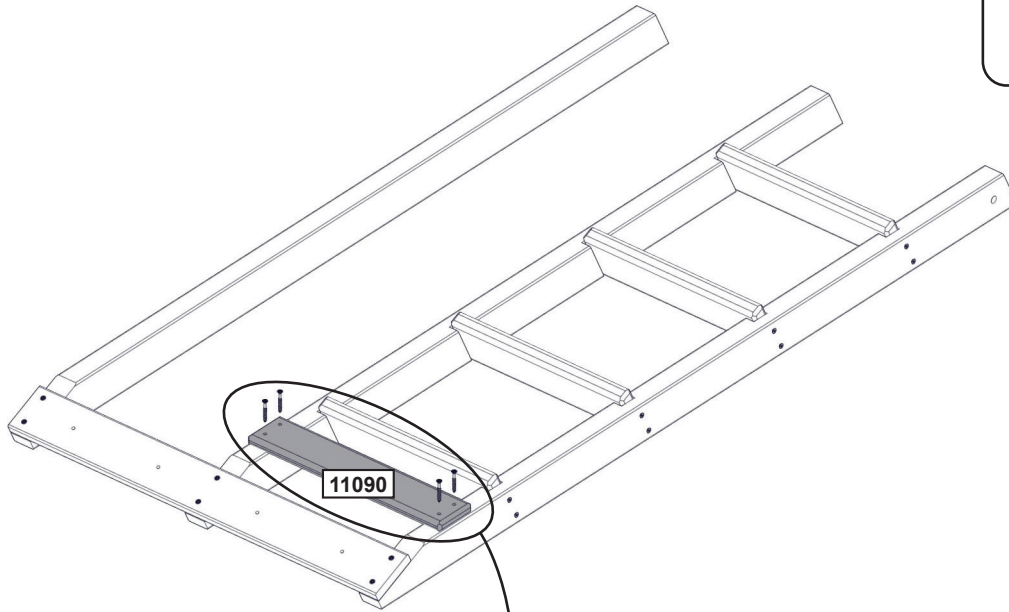
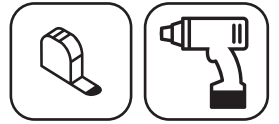
Hardware

- 3 x **S11** #8 x 50.8 mm (#8 x 2")
- 3 x **S20** #8 x 34.9 mm (#8 x 1-3/8")

europecustomerservice@kidkraft.com
 +31 20 305 8620
 M-F from 09:00 to 17:30 (GMT+1)

parts.kidkraft.eu





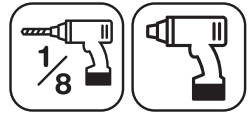
Wood Parts

1 x 11090 15.9 x 69.9 x 379.5 mm (5/8" x 2 3/4" x 14 15/16")

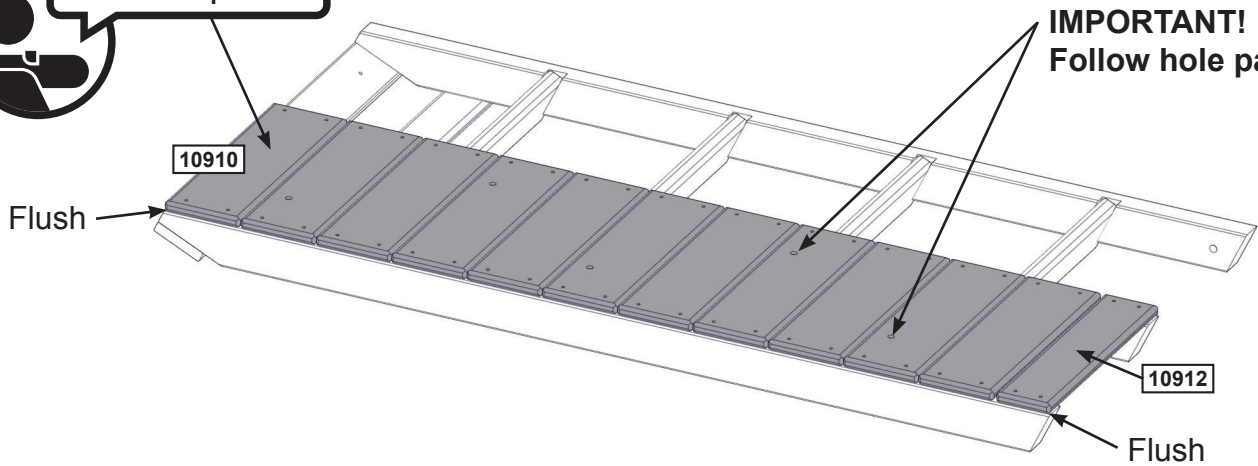
Hardware

4 x S20 #8 x 34.9 mm (#8 x 1-3/8")

71

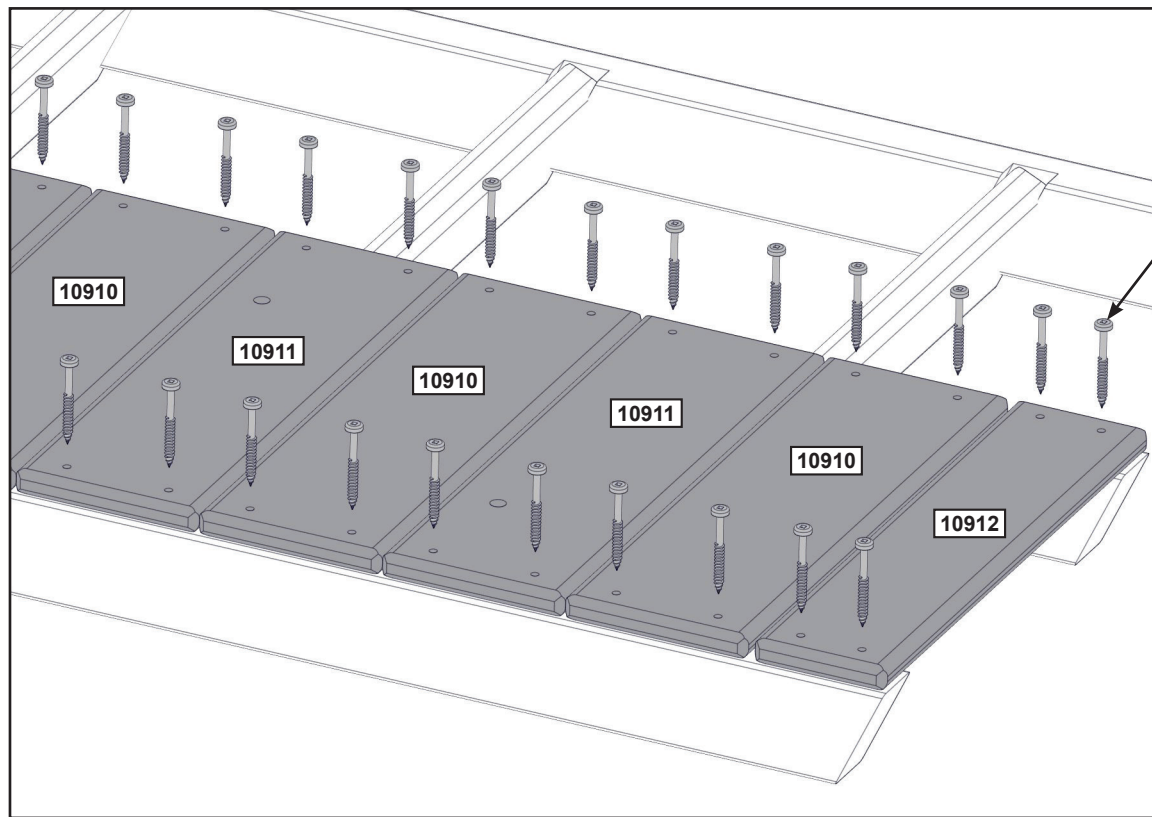


Do not attach!
Use for alignment
only, then put aside
until Step 74.



Evenly space.

Pre-drill S7 holes using a 1/8" drill bit.



S7 x 4
per board

Wood Parts

- 6 x 10910 15.9 x 114.3 x 347.7 mm (5/8" x 4 1/2" x 13 11/16")
- 5 x 10911 15.9 x 114.3 x 347.7 mm (5/8" x 4 1/2" x 13 11/16")
- 1 x 10912 15.9 x 82.6 x 347.7 mm (5/8" x 3 1/4" x 13 11/16")

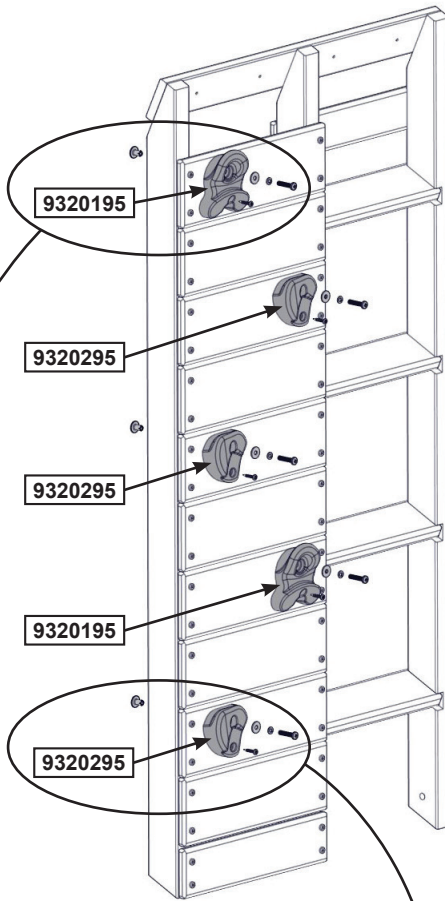
Hardware

- 44 x S7 #12 x 50.8 mm (#12 x 2")

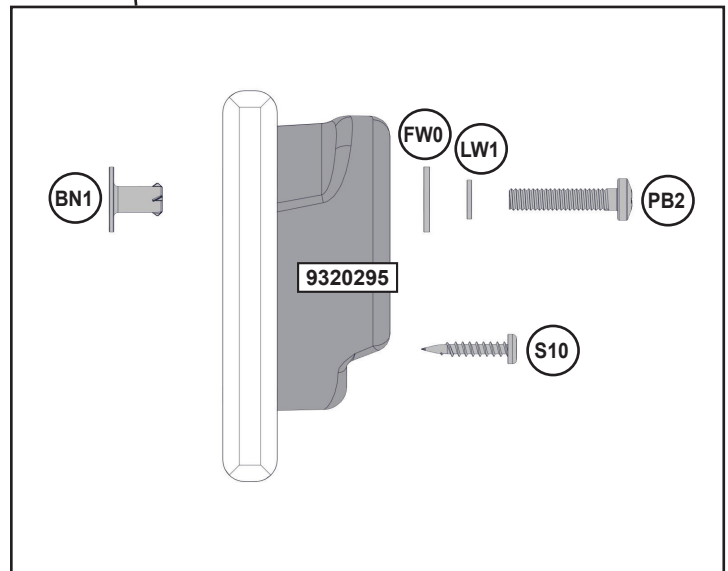
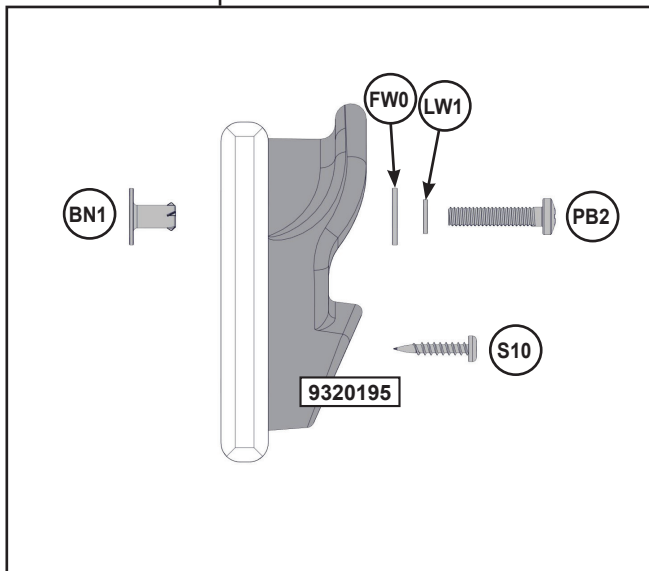
europecustomerservice@kidkraft.com
+31 20 305 8620
M-F from 09:00 to 17:30 (GMT+1)

parts.kidkraft.eu





Note: Make sure all hardware is used to properly secure each rock.



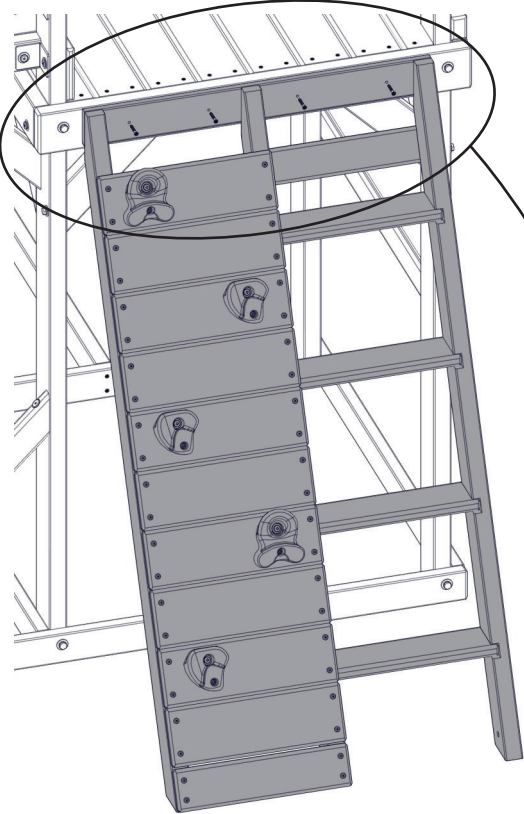
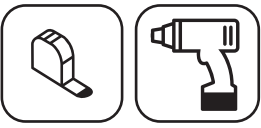
Hardware

- 5 x (PB2) 6.4mm x 31.8 mm (1/4 x 1-1/4") (FW0, LW1, BN1)
- 5 x (S10) #8 x 25.4 mm (#8 x 1")

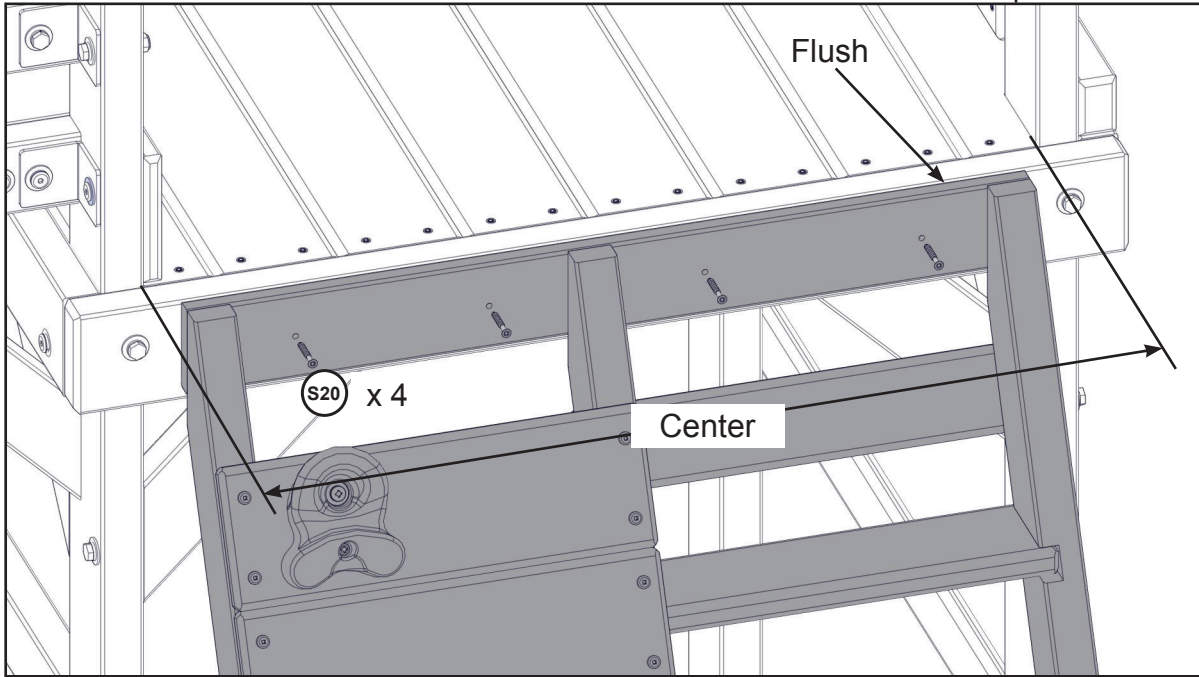
Other Parts

- 2 x 9320195
- 3 x 9320295

73



Note: Structure partly removed for clarity.



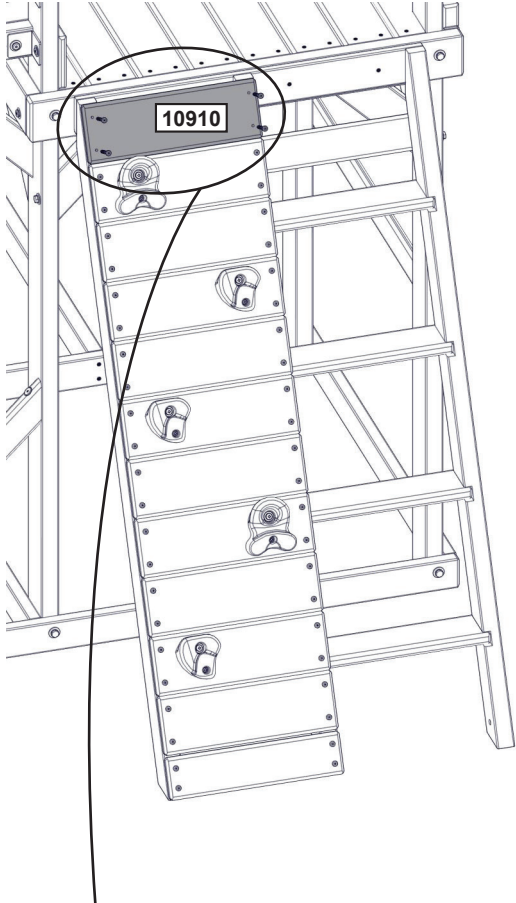
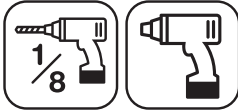
Hardware

4 x S20 #8 x 34.9 mm (#8 x 1-3/8")

europecustomerservice@kidkraft.com
+31 20 305 8620
M-F from 09:00 to 17:30 (GMT+1)

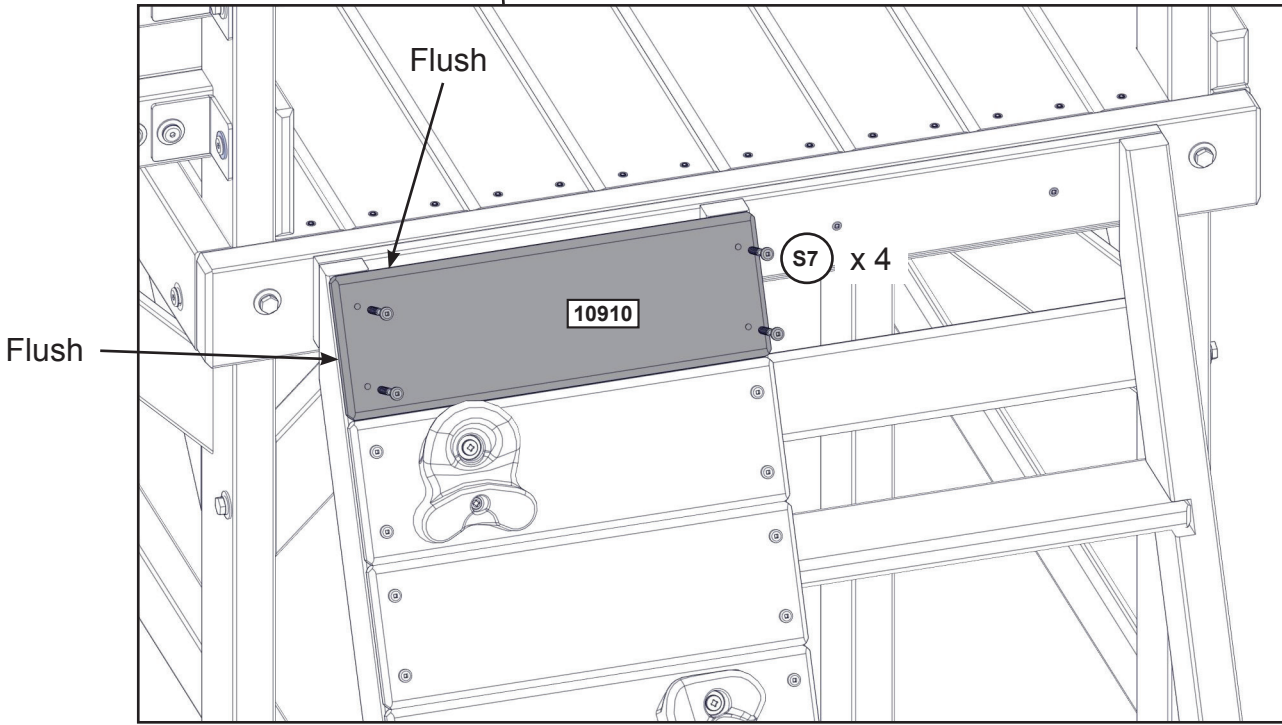
parts.kidkraft.eu





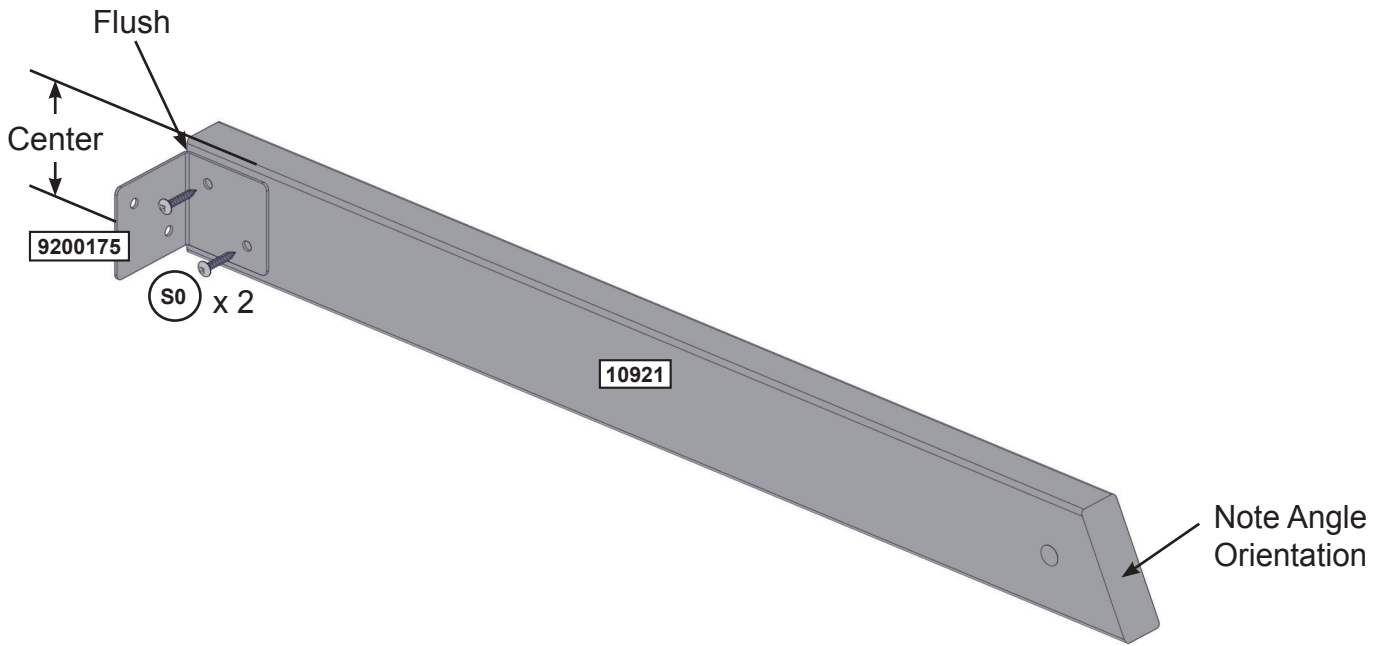
Pre-drill S7 holes using a 1/8" drill bit.

Note: Structure partly removed for clarity.



Hardware

4 x S7 #12 x 50.8 mm (#12 x 2")



Wood Parts

1 x 10921 25.4 x 63.5 x 609.9 mm (1" x 2 1/2" x 24")

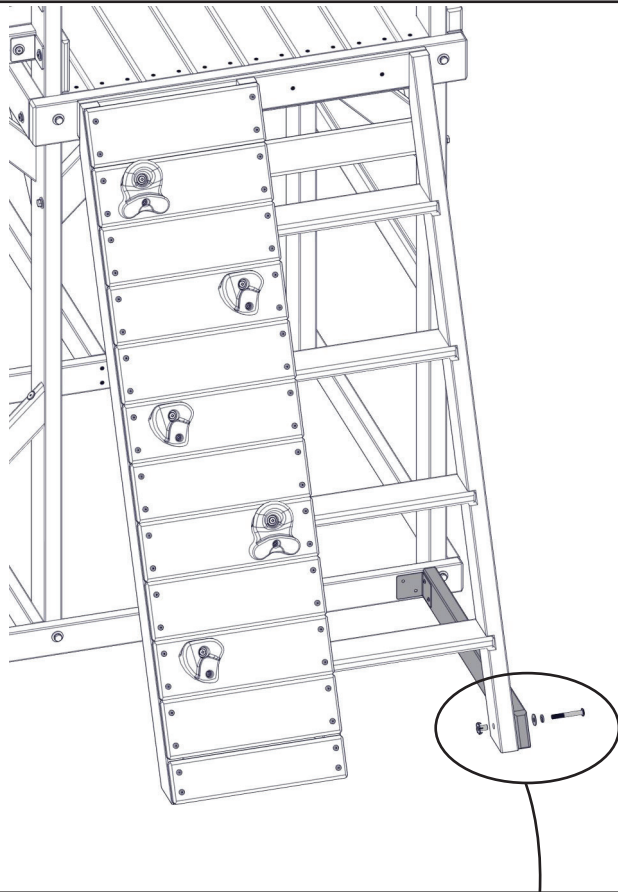
Hardware

2 x S0 #8 x 22.2 mm (#8 x 7/8")

Other Parts

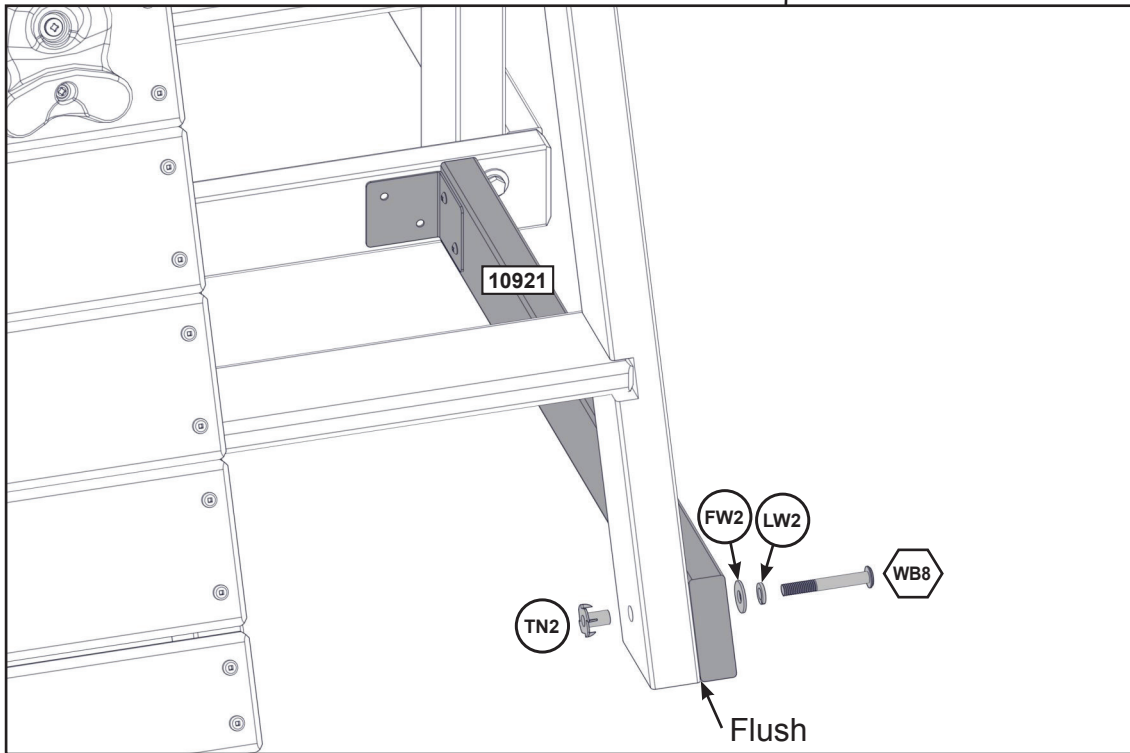
1 x 9200175





Assemble T-Nuts first with hammer!

Note: Structure partly removed for clarity.

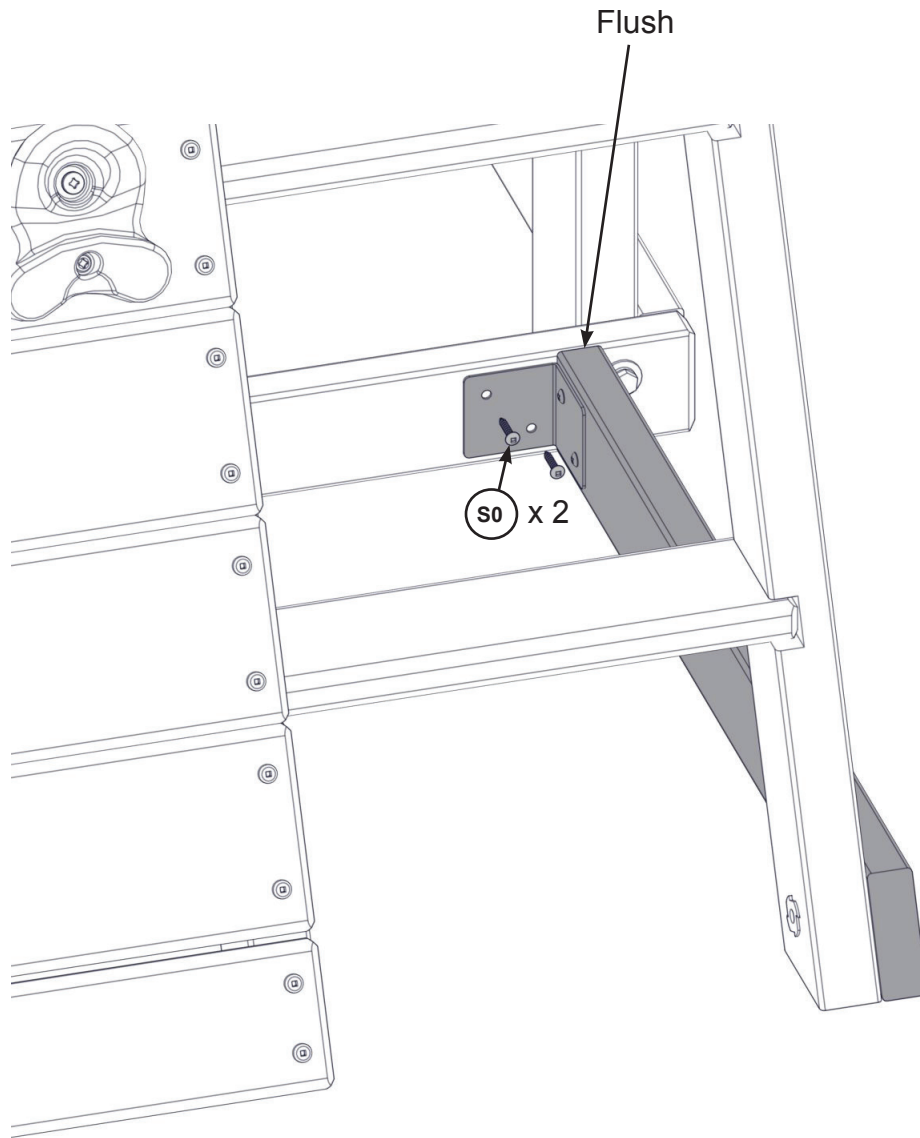


Hardware

1 x  7.9 x 60.3 mm (5/16 x 2-3/8") (LW2, FW2, TN2)



Note: Structure partly removed for clarity.

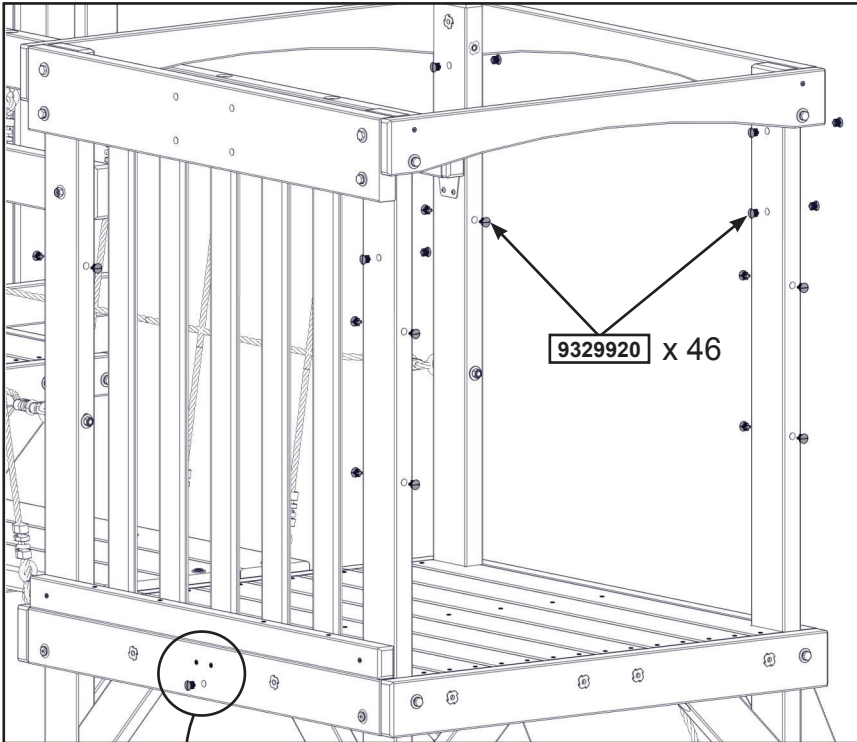


Hardware

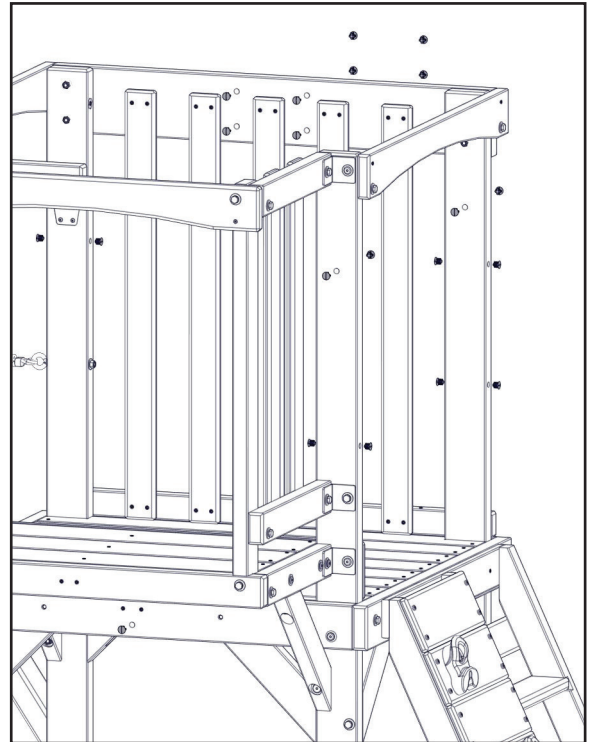
2 x  #8 x 22.2 mm (#8 x 7/8")



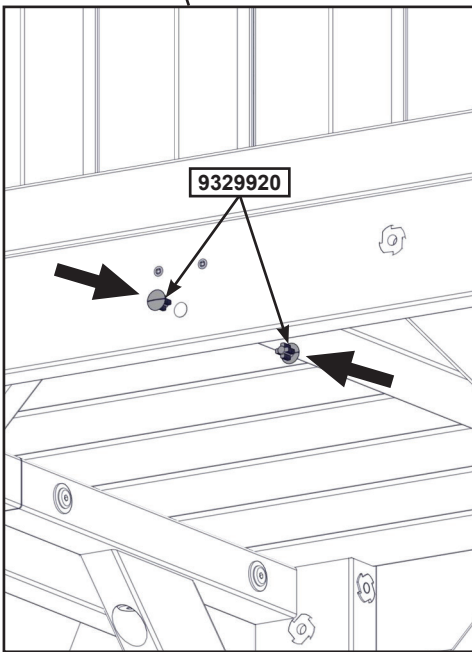
Insert Hole Plugs into all unused holes.



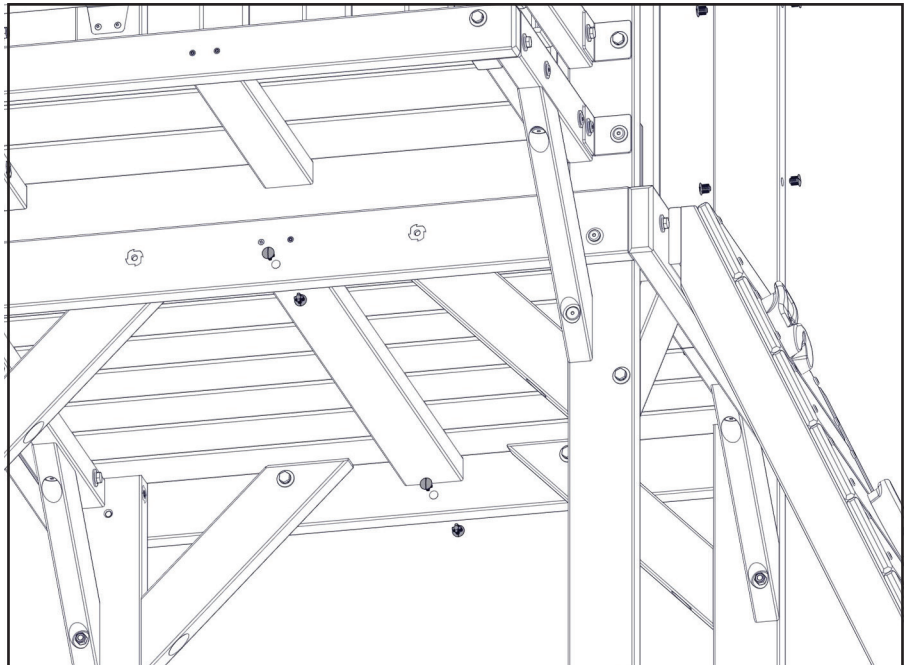
View 1



View 2



Underneath View



View 3

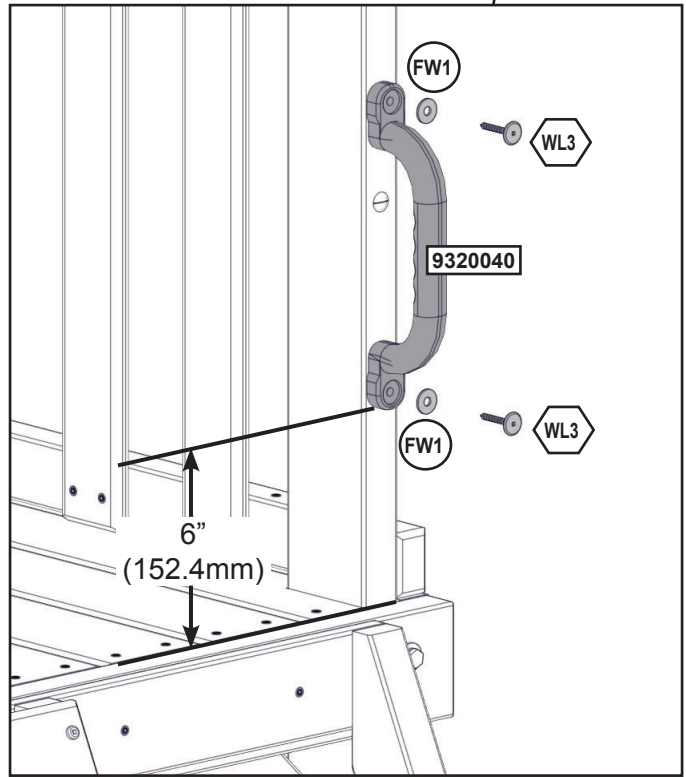
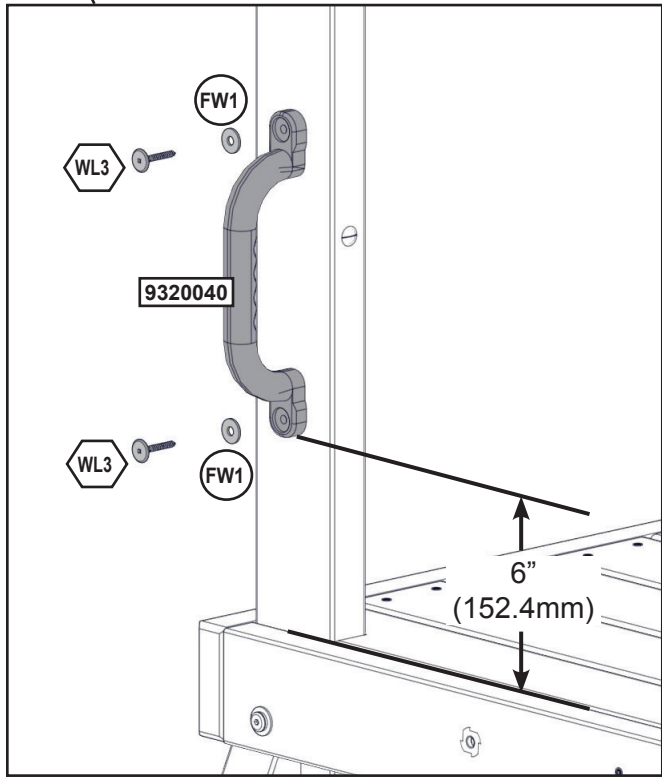
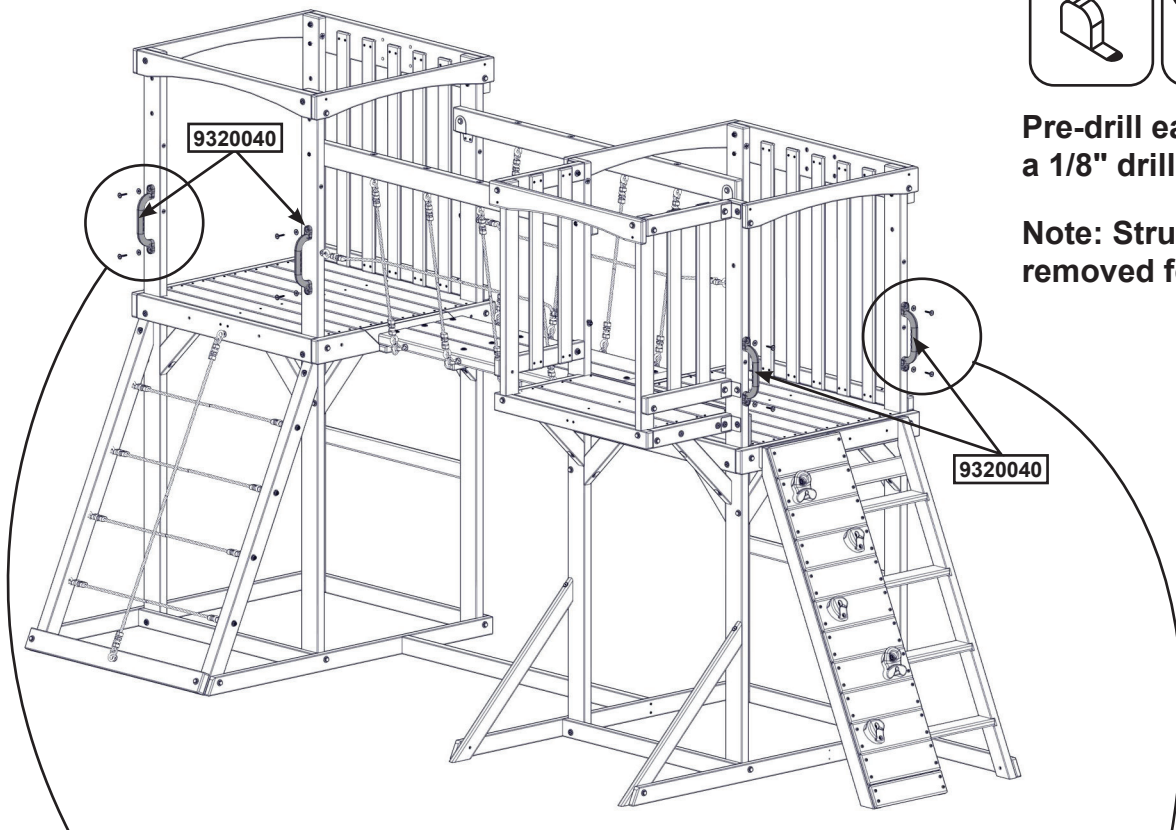
Other Parts

46 x **9329920**



Pre-drill each hole using a 1/8" drill bit for WL3.

Note: Structure partly removed for clarity.



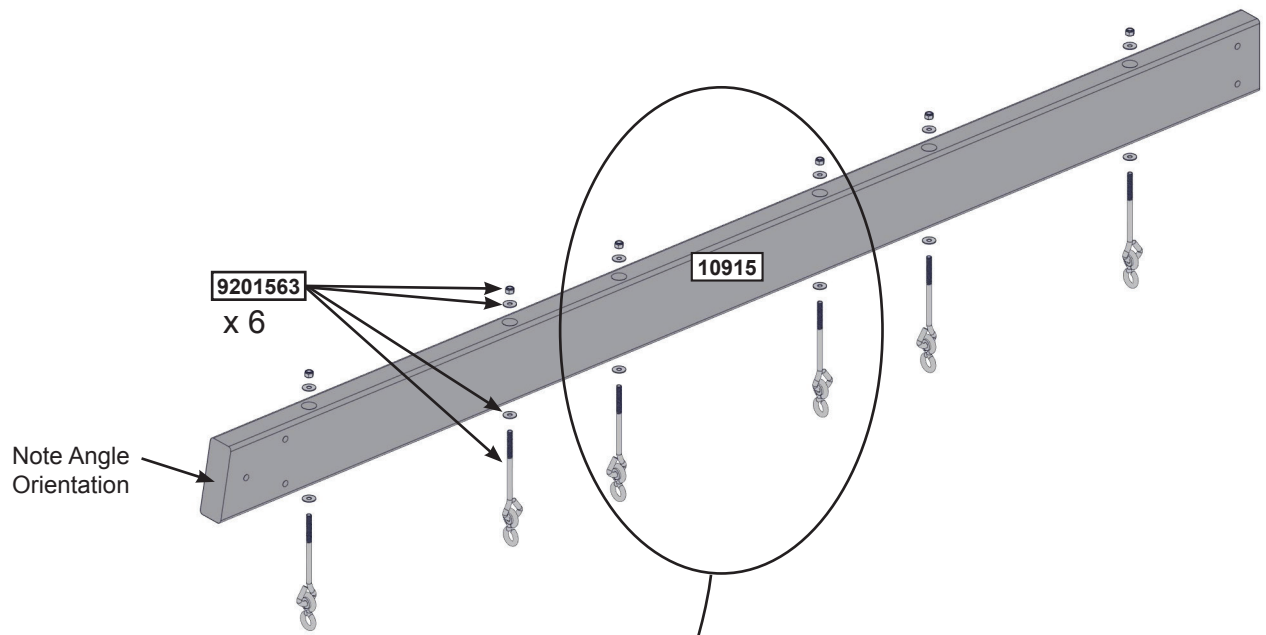
Hardware

8 x 6.4 x 34.9 mm (1/4 x 1-3/8") (FW1)

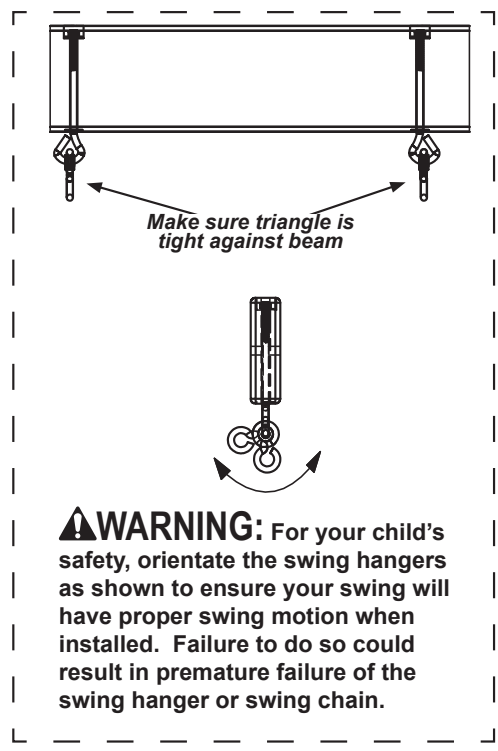
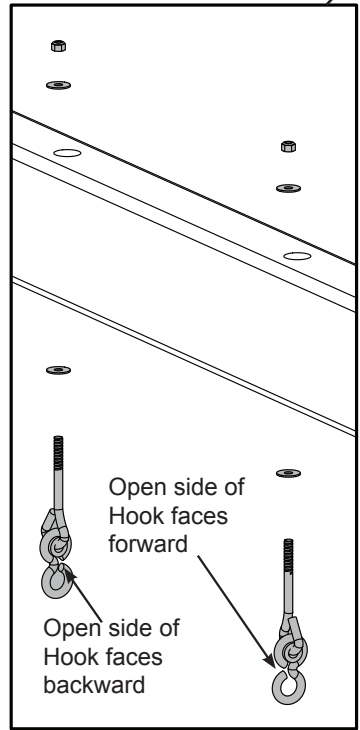
Other Parts

4 x





For each swing position, ensure the open sides of the hooks face AWAY from each other.



Wood Parts

1 x 10915 50.8 x 133.4 x 2235.2 mm (2" x 5 1/4" x 88")

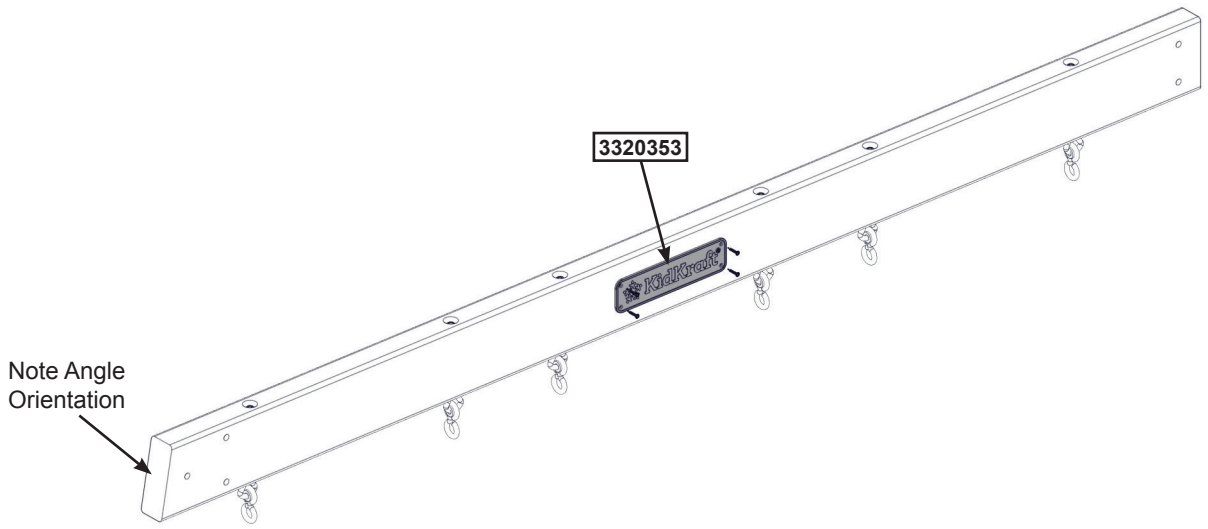
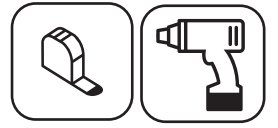
Other Parts

6 x 9201563



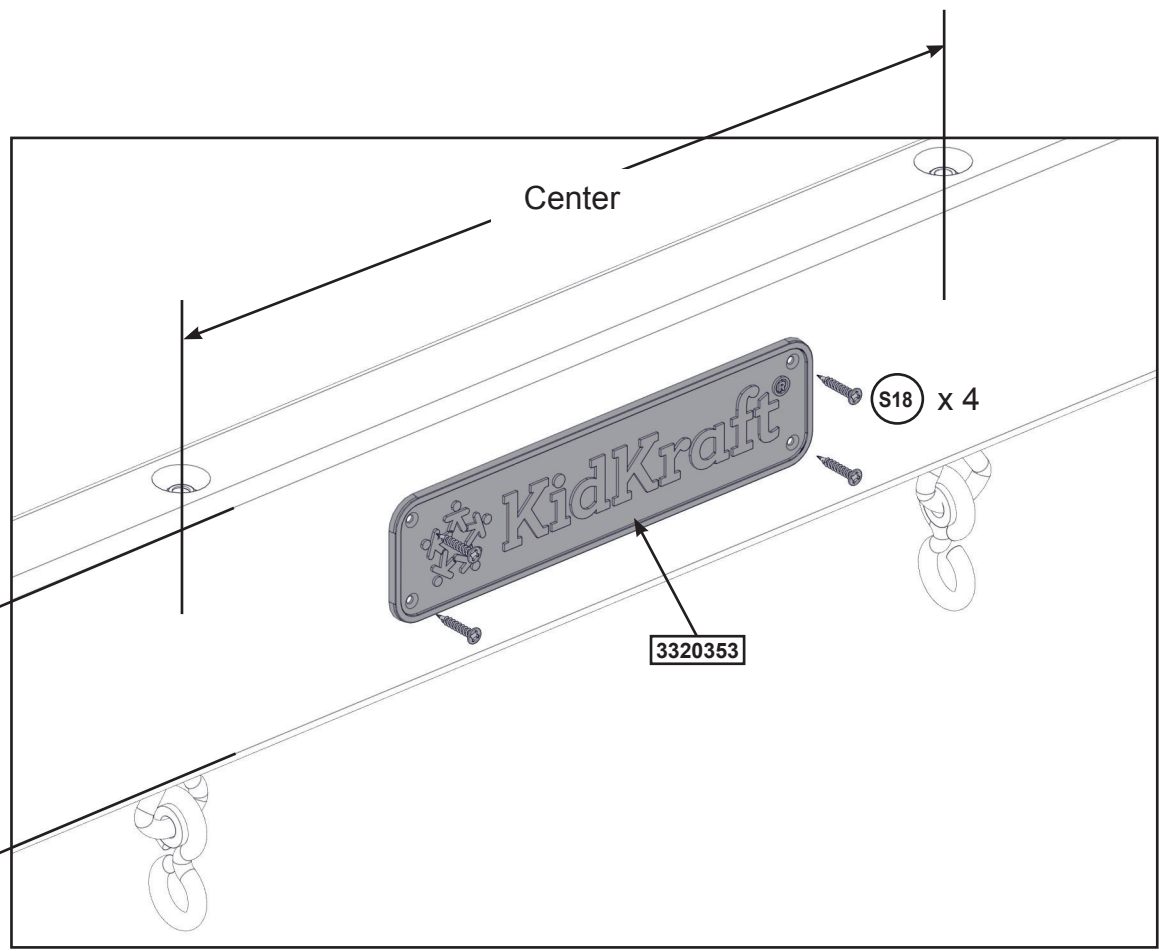
parts.kidkraft.com

customerservice@kidkraft.com
1.800.933.0771
972.385.0100



Note Angle Orientation

3320353



Center

S18 x 4

3320353

Center

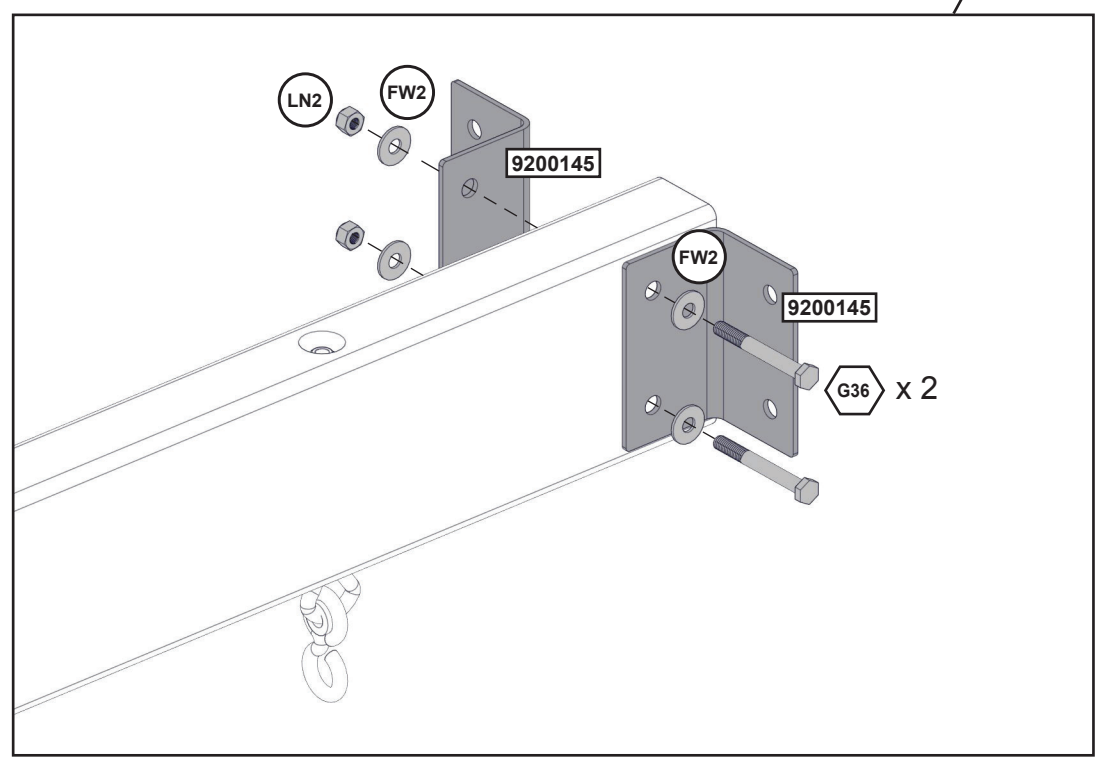
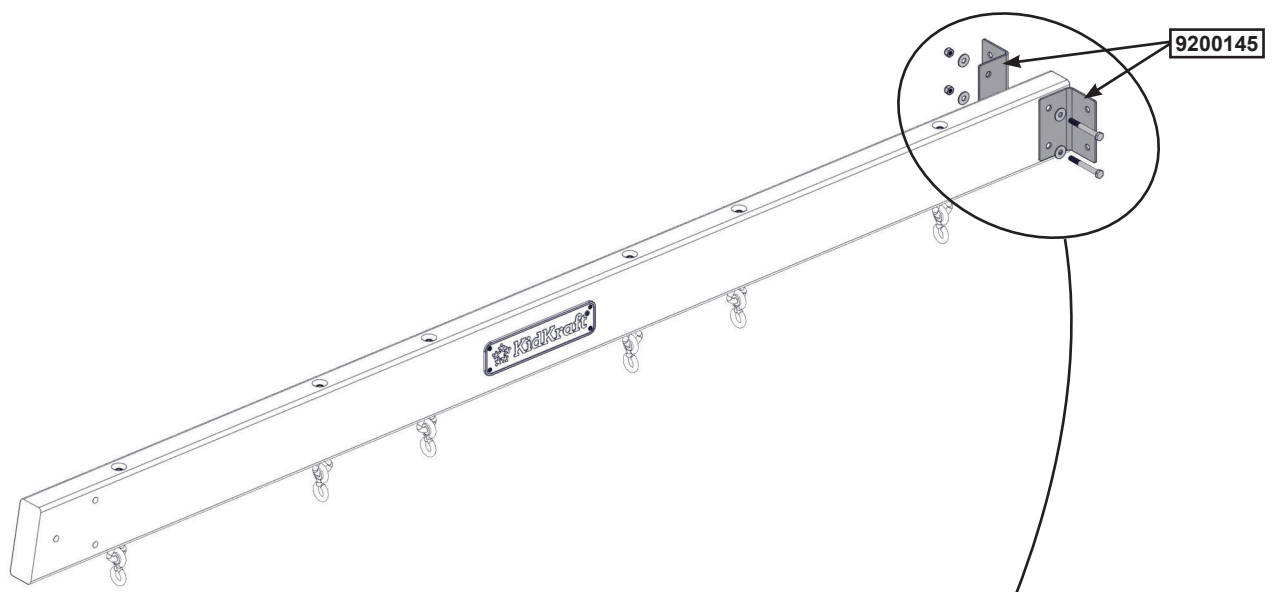
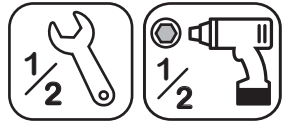
Hardware

4 x S18 #6 x 25.4 mm (#6 x 1")


Other Parts

1 x 3320353

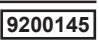




Hardware

2 x  7.9 x 69.9 mm (5/16" x 2-3/4") (FW2 x 2, LN2)

Other Parts

2 x 

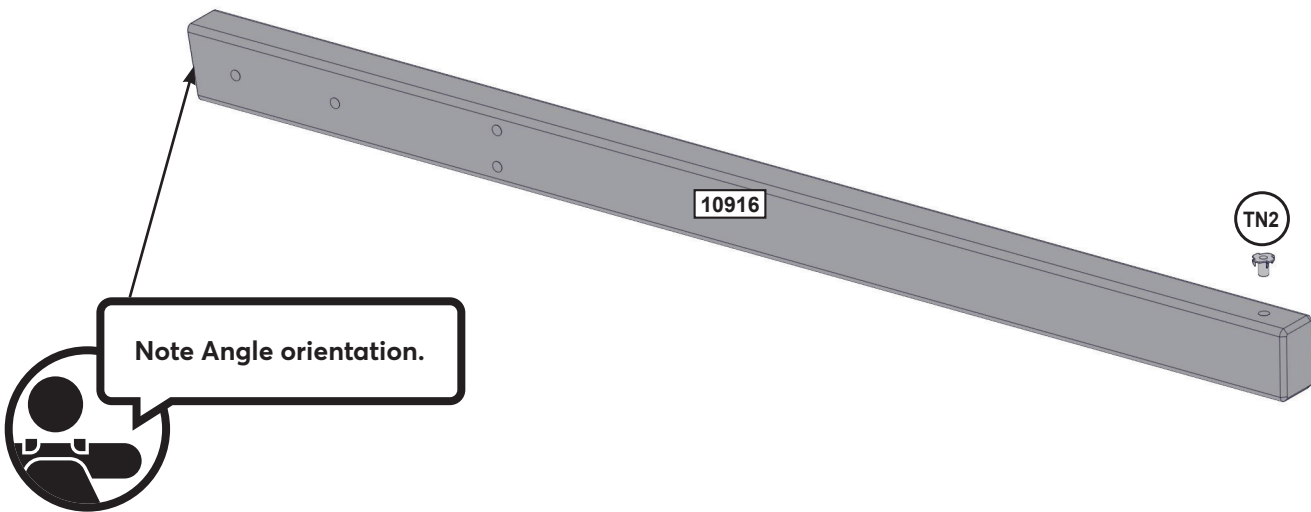


parts.kidkraft.com

customerservice@kidkraft.com
1.800.933.0771
972.385.0100



Assemble T-Nuts first with hammer!



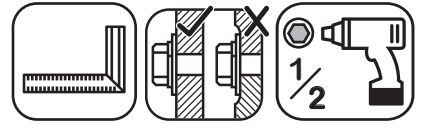
Wood Parts

1 x **10916** 50.8 x 76.2 x 1294.3 mm (2" x 3" x 50 15/16")

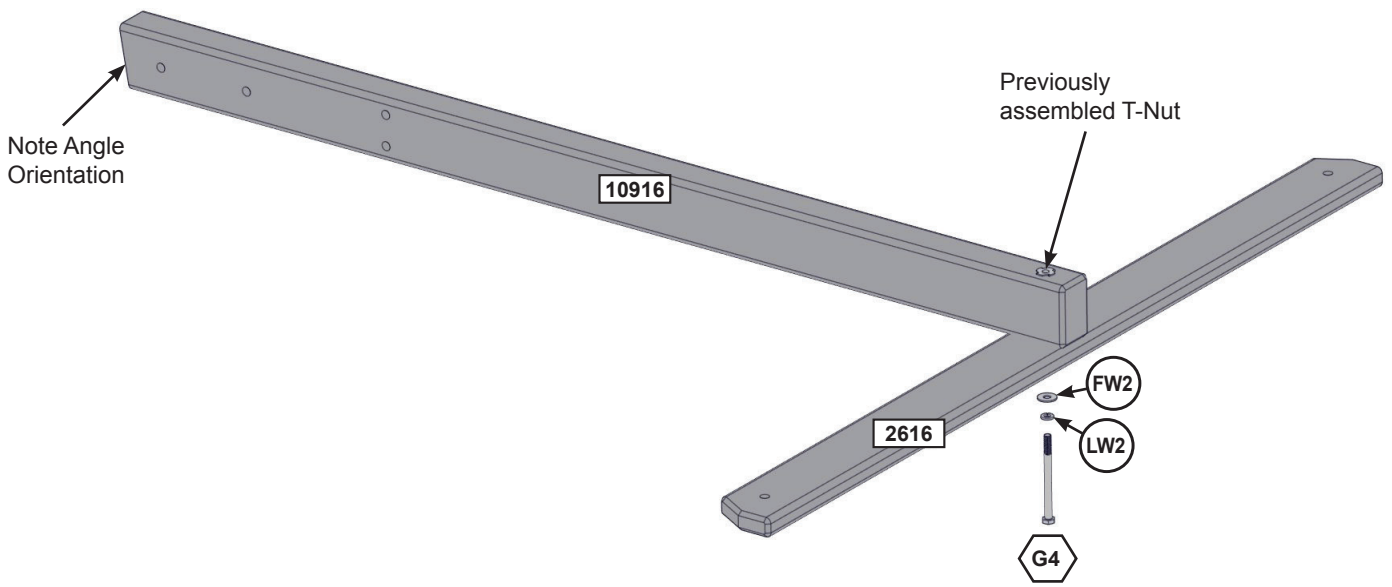
Hardware

1 x **TN2**





Make sure the assembly is square.
Do not tighten bolt until Step 87.



Wood Parts

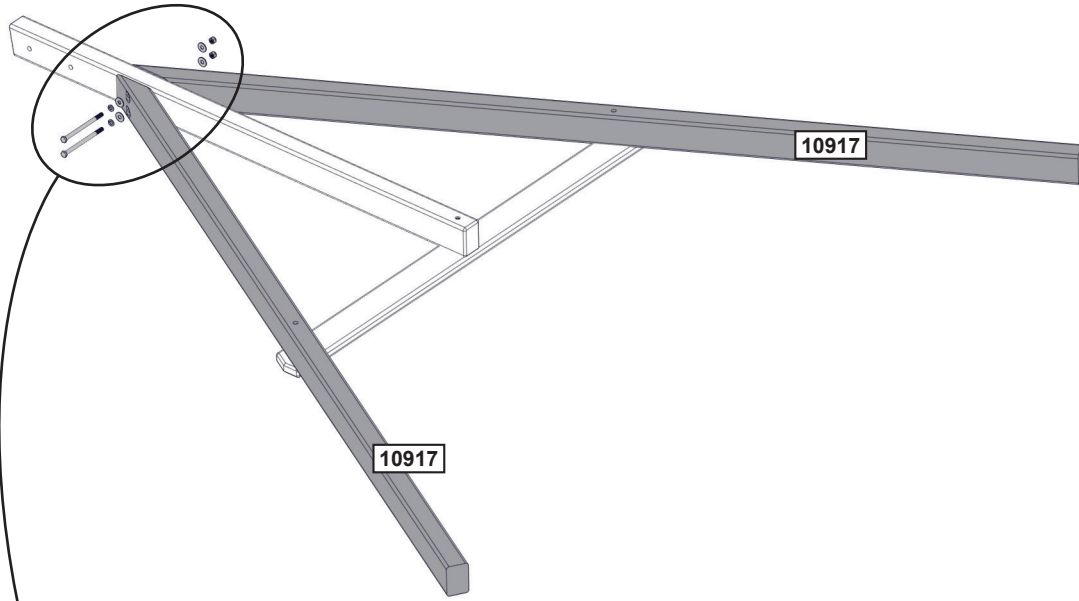
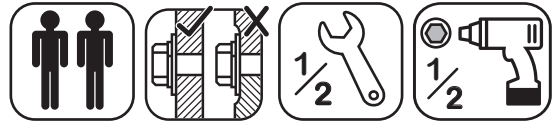
1 x **2616** 23.8 x 82.6 x 1181.1 mm (15/16" x 3 1/4" x 46 1/2")

Hardware

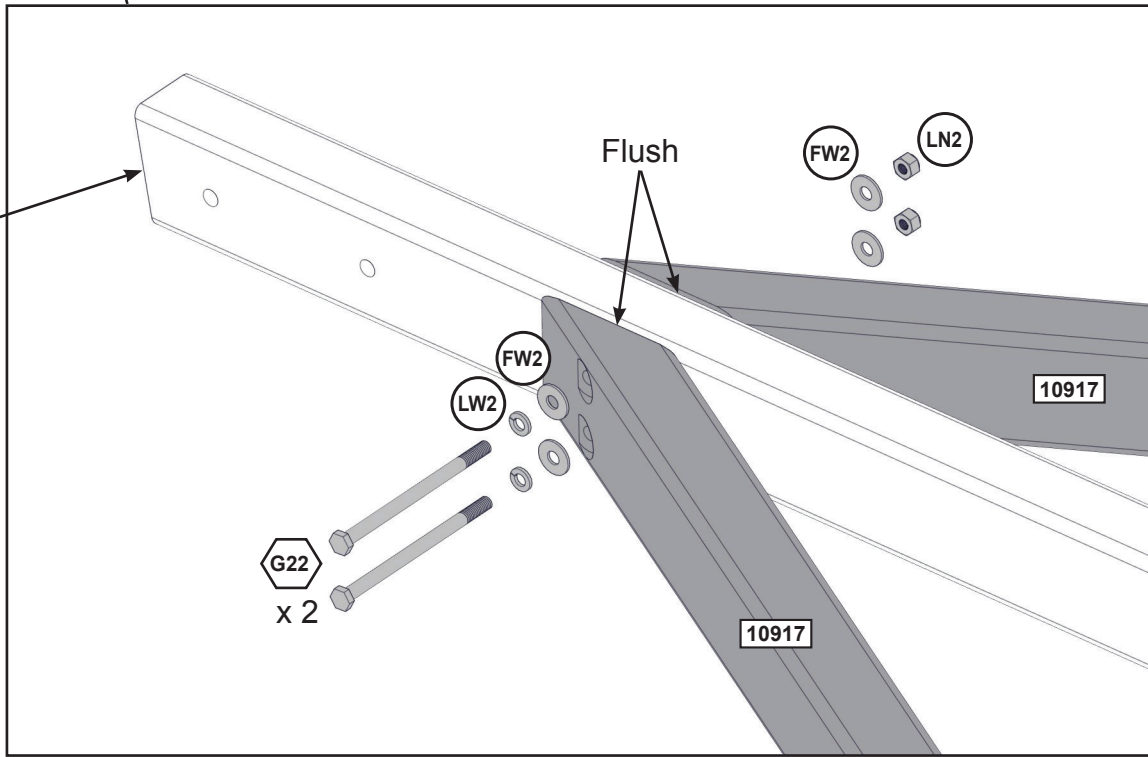
1 x **G4** 7.9 x 101.5 mm (5/16 x 4") (LW2, FW2)

85

Do not tighten bolt until Step 87.



Note angle orientation



Wood Parts

2 x **10917** 50.8 x 76.2 x 2100 mm (2" x 3" x 82 11/16")

Hardware

2 x **G22** 7.9 x 127 mm (5/16 x 5") (LW2, FW2 x 2, LN2)

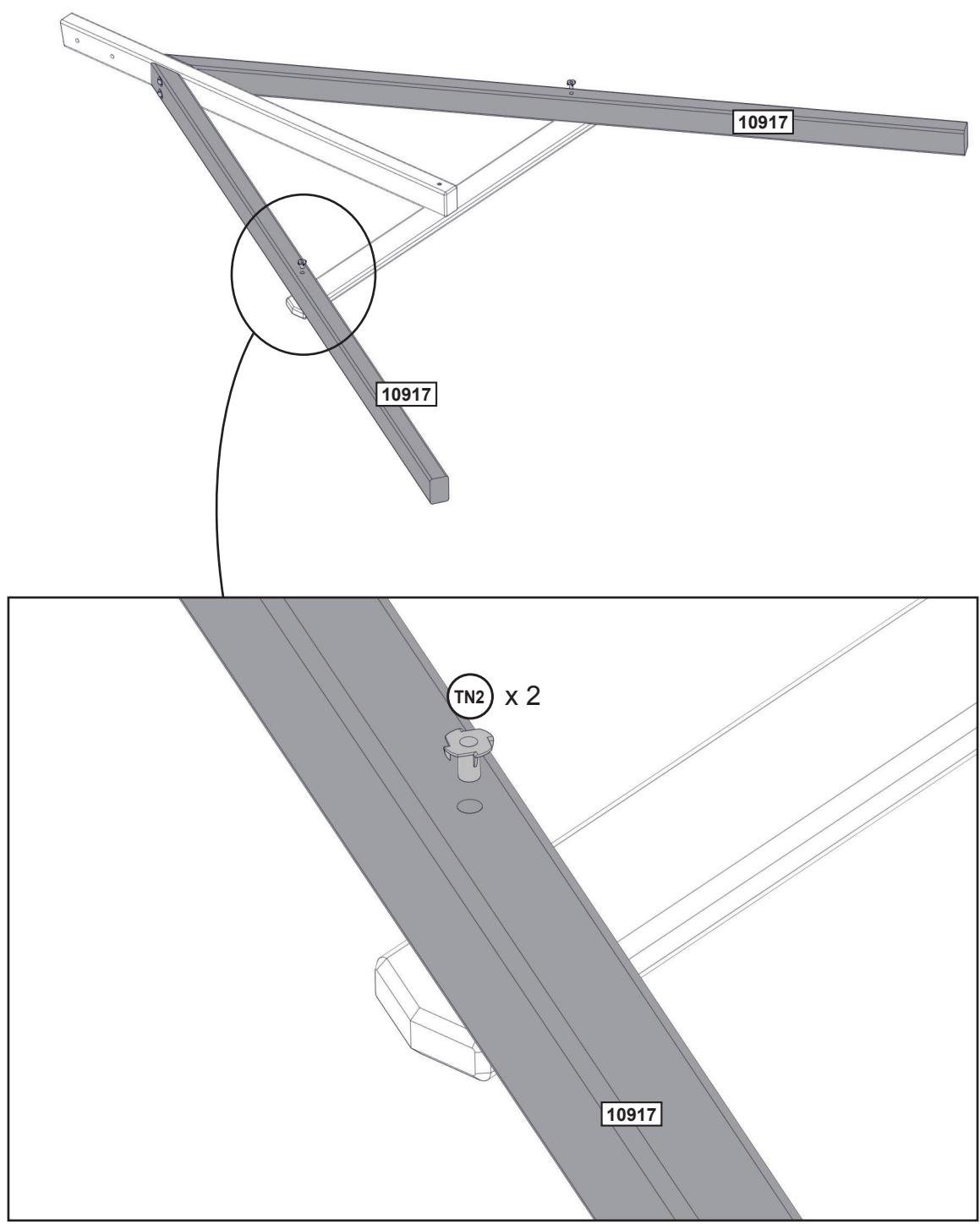
europecustomerservice@kidkraft.com
 +31 20 305 8620
 M-F from 09:00 to 17:30 (GMT+1)

parts.kidkraft.eu



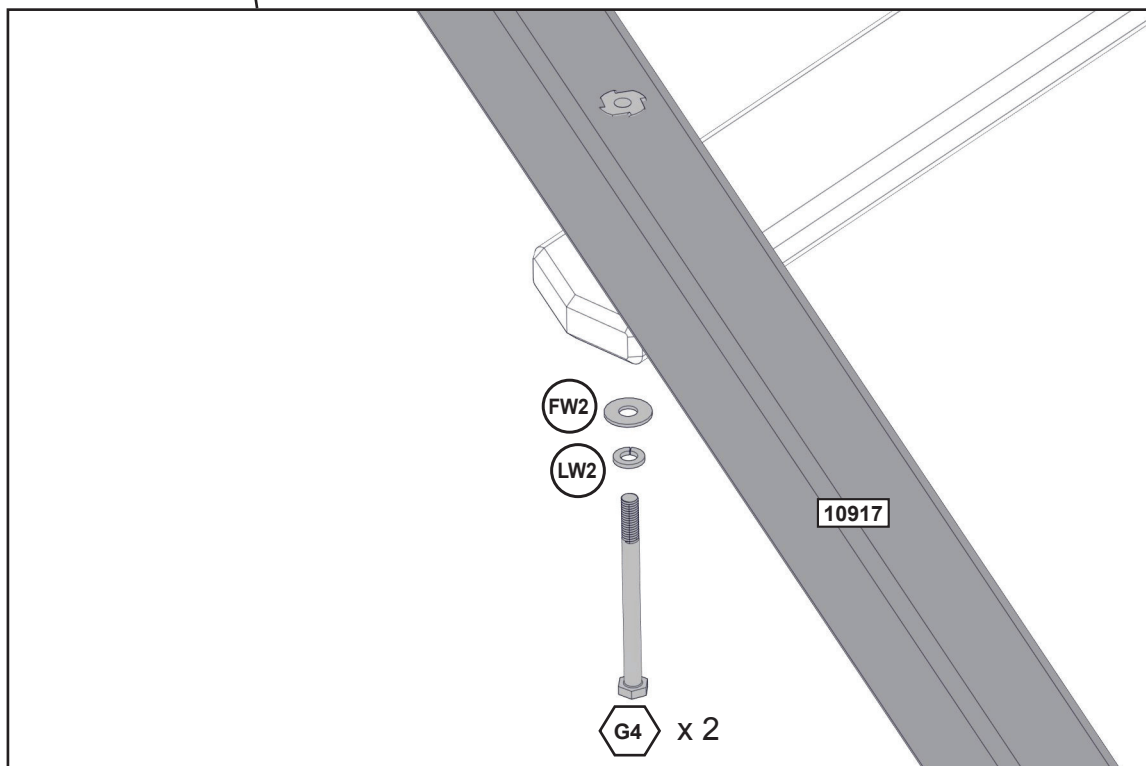
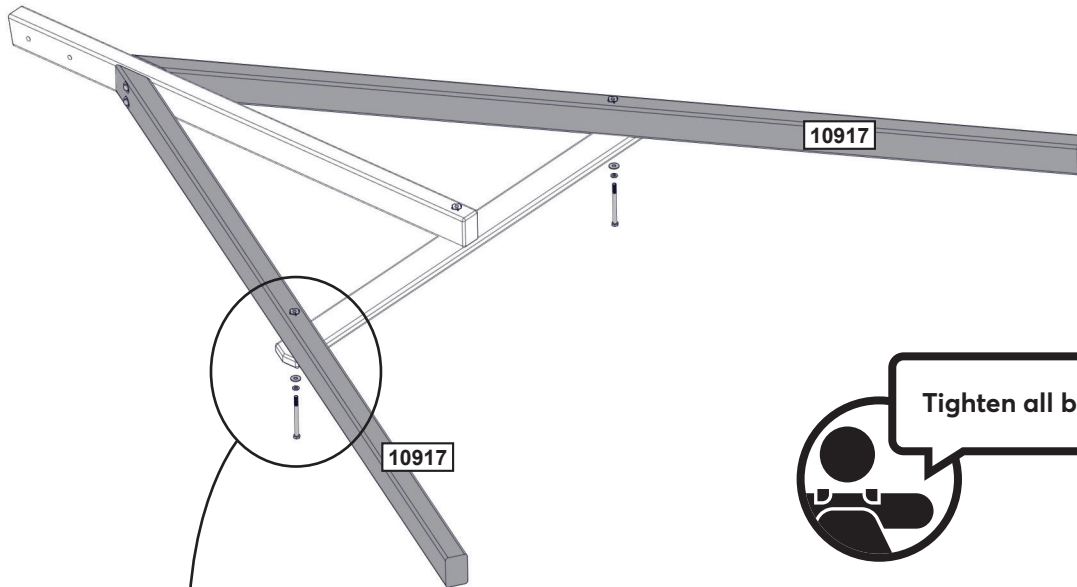
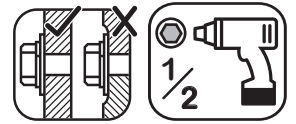


Assemble T-Nuts first with hammer!



Hardware

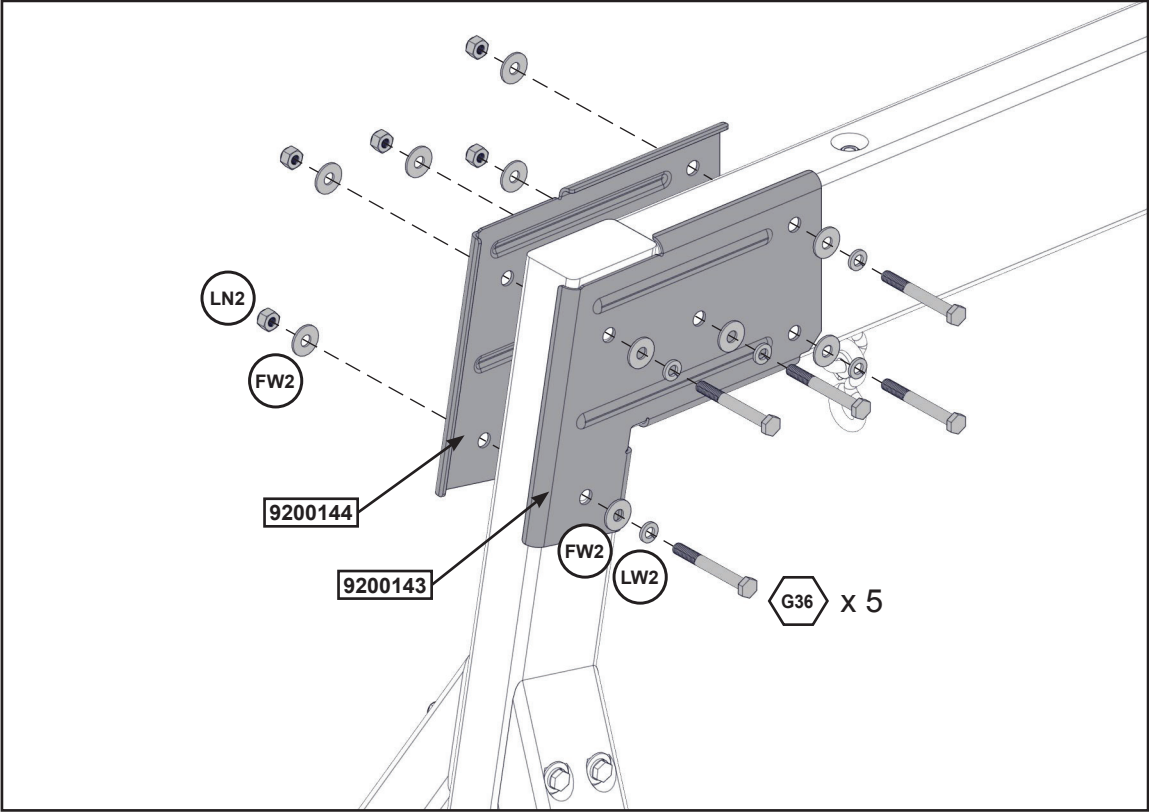
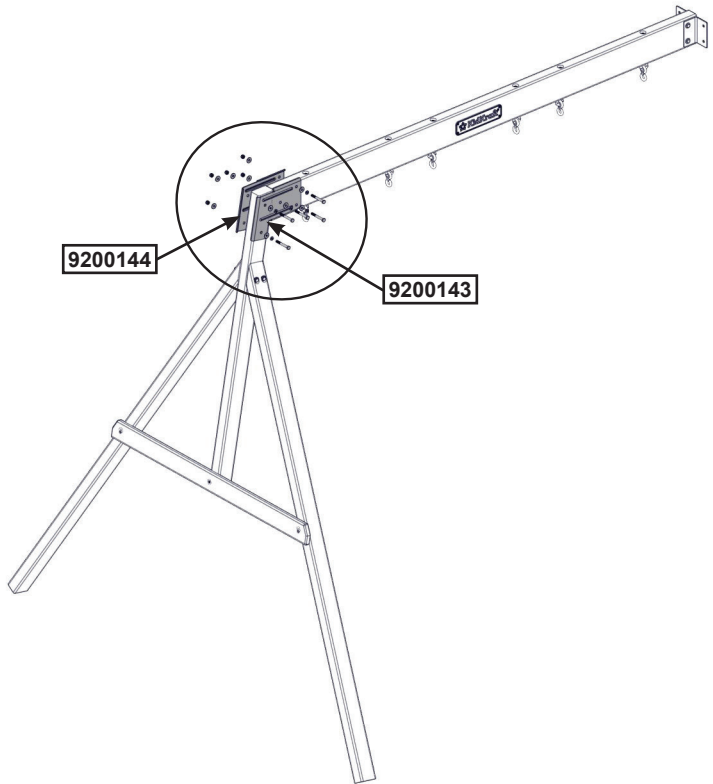
2 x 



Hardware

2 x  7.9 x 101.5 mm (5/16 x 4") (LW2, FW2)





Hardware

5 x G36 7.9 x 69.9 mm (5/16" x 2-3/4") (FW2 x 2, LW2, LN2)

Other Parts

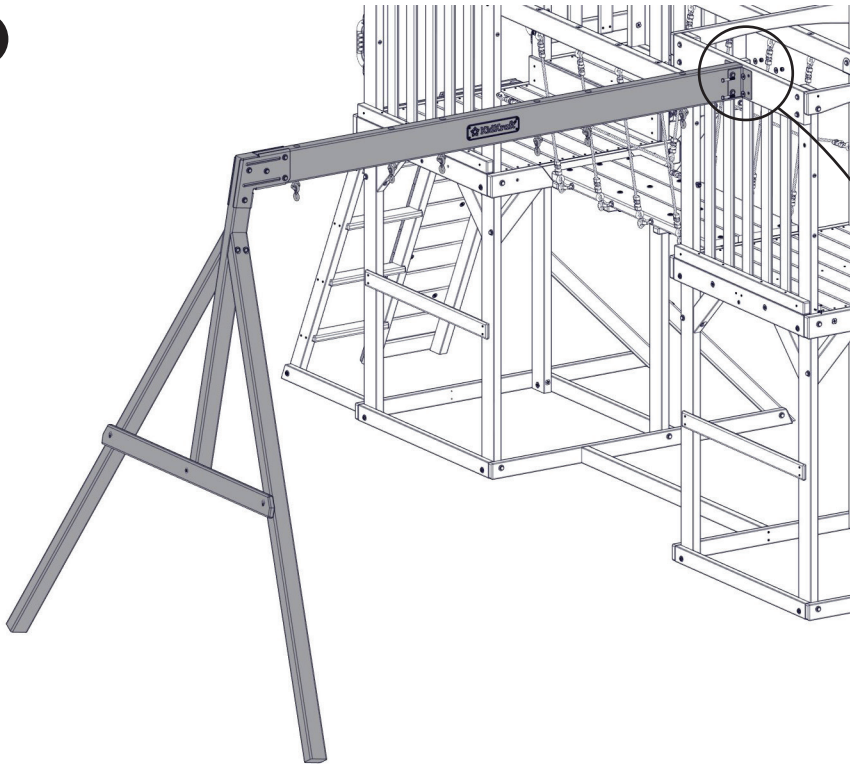
1 x 9200143

1 x 9200144

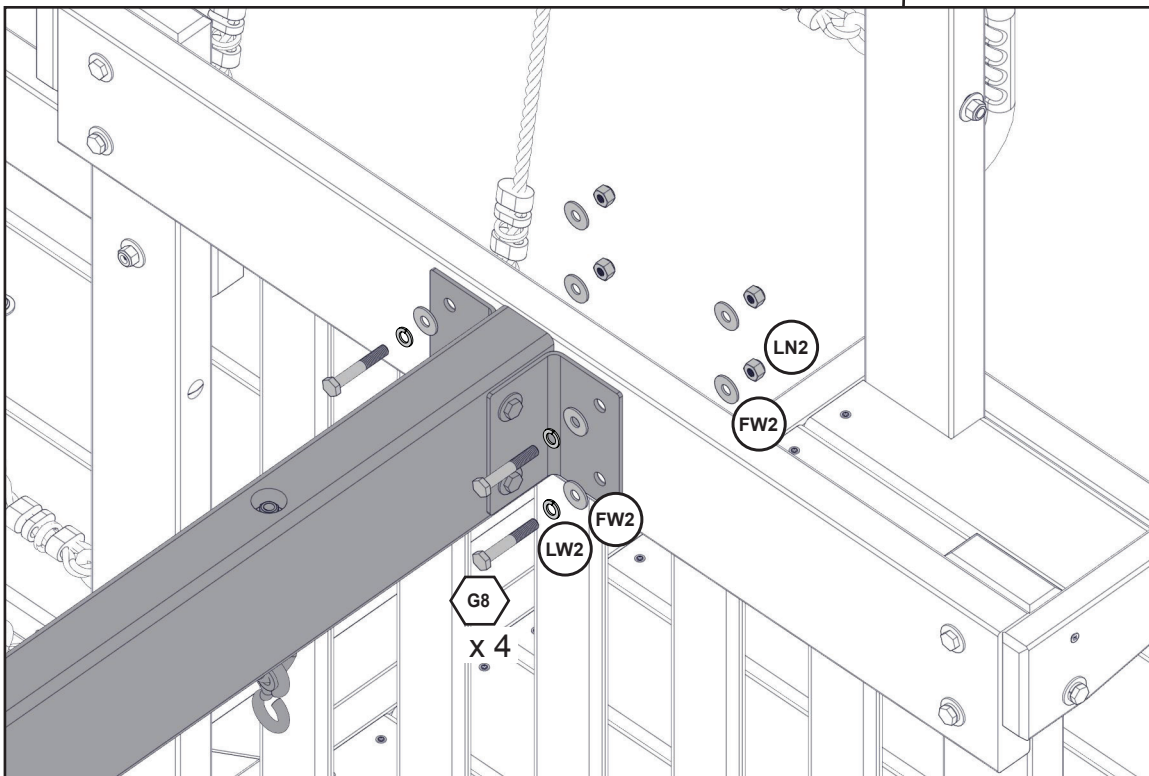


parts.kidkraft.com

customerservice@kidkraft.com
1.800.933.0771
972.385.0100



Note: Structure partly removed for clarity.



Hardware

4 x G8 7.9 x 50.8 mm (5/16" x 2") (FW2 x 2, LW2, LN2)



90

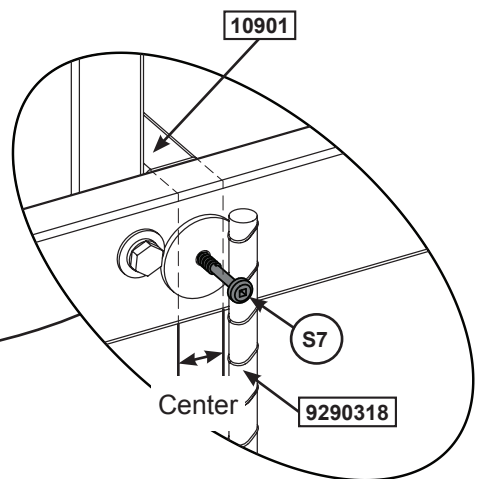
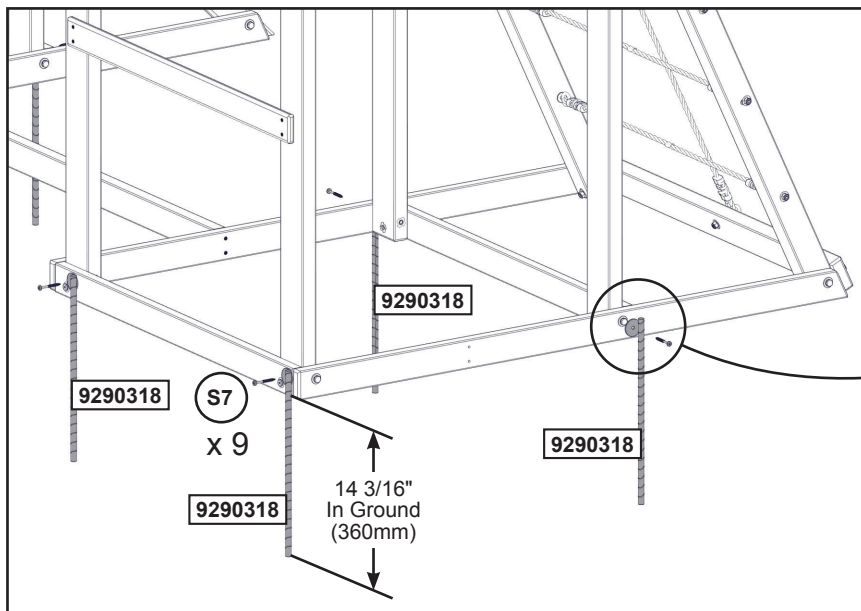
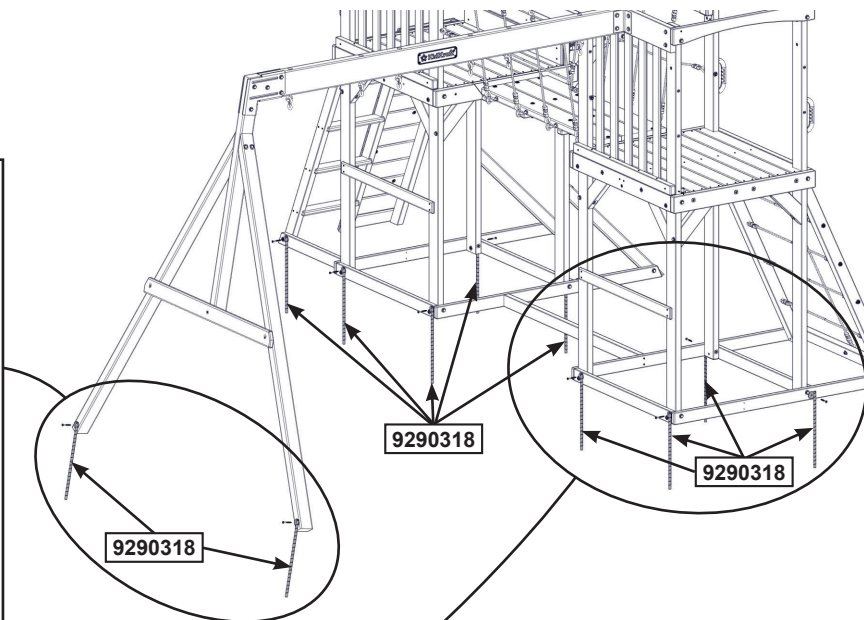
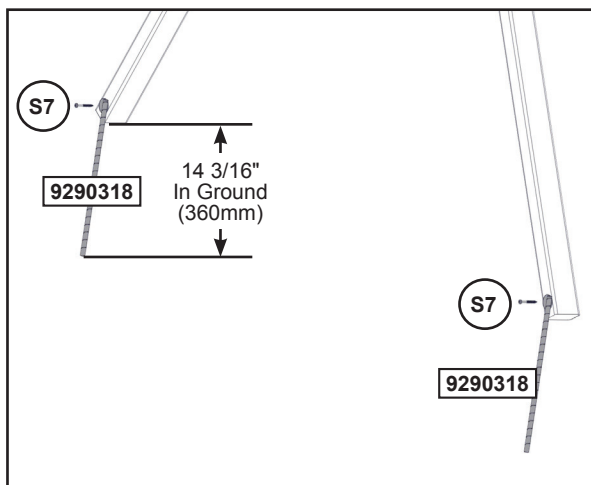
MOVE FORT TO FINAL LOCATION PRIOR TO STAKING

FINAL LOCATION MUST BE LEVEL GROUND



Warning! To prevent tipping and avoid potential injury, stakes must be driven 14 3/16" (360mm) into ground. Digging or driving stakes can be dangerous if you do not check first for under-ground wiring, cables or gas lines.

SEE COVER PAGE FOR SAFETY CLEARANCE



Hardware

11 x **S7** #12 x 50.8 mm (#12 x 2")

Other Parts

11 x **9290318**



parts.kidkraft.com

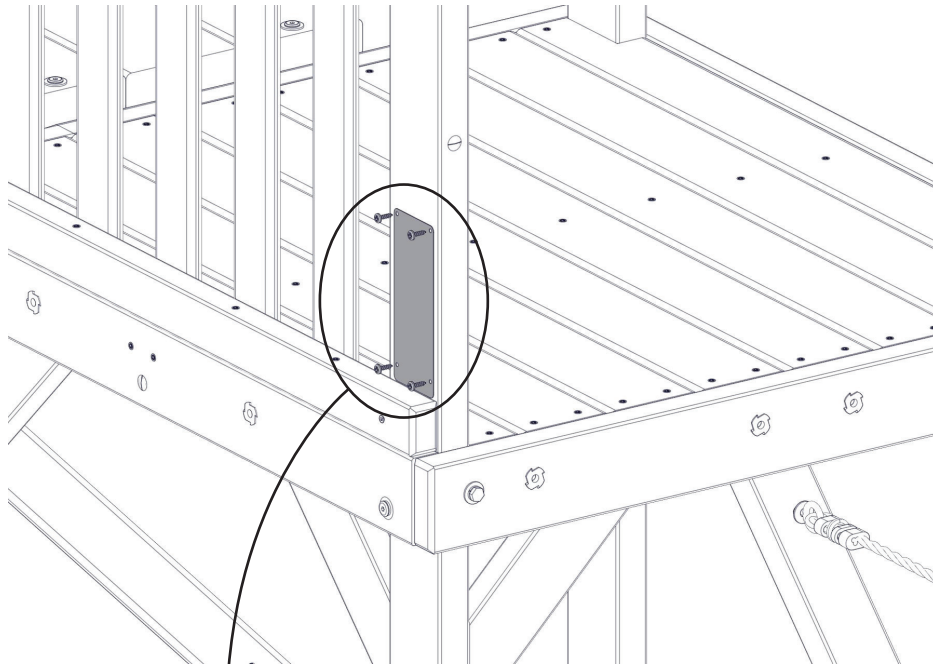
customerservice@kidkraft.com
1.800.933.0771
972.385.0100

91

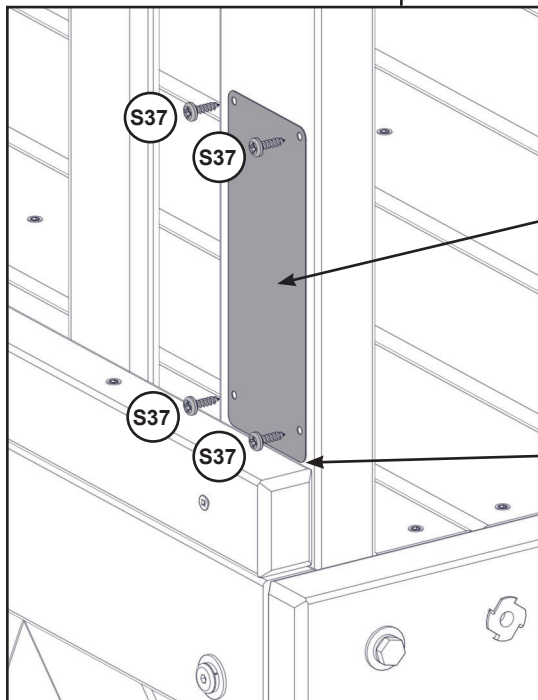
ATTACH THIS WARNING & I.D. PLAQUE TO THIS LOCATION ON YOUR PLAY EQUIPMENT!



This provides warnings concerning safety and important contact information. A Tracking Number is provided to allow you to get critical information or order replacement parts for this specific model.



Note: Structure partly removed for clarity.



9320374

Flush



Hardware

4 x S37 #7 x 15.9 mm (#7 x 5/8")

Other Parts

1 x 9320374

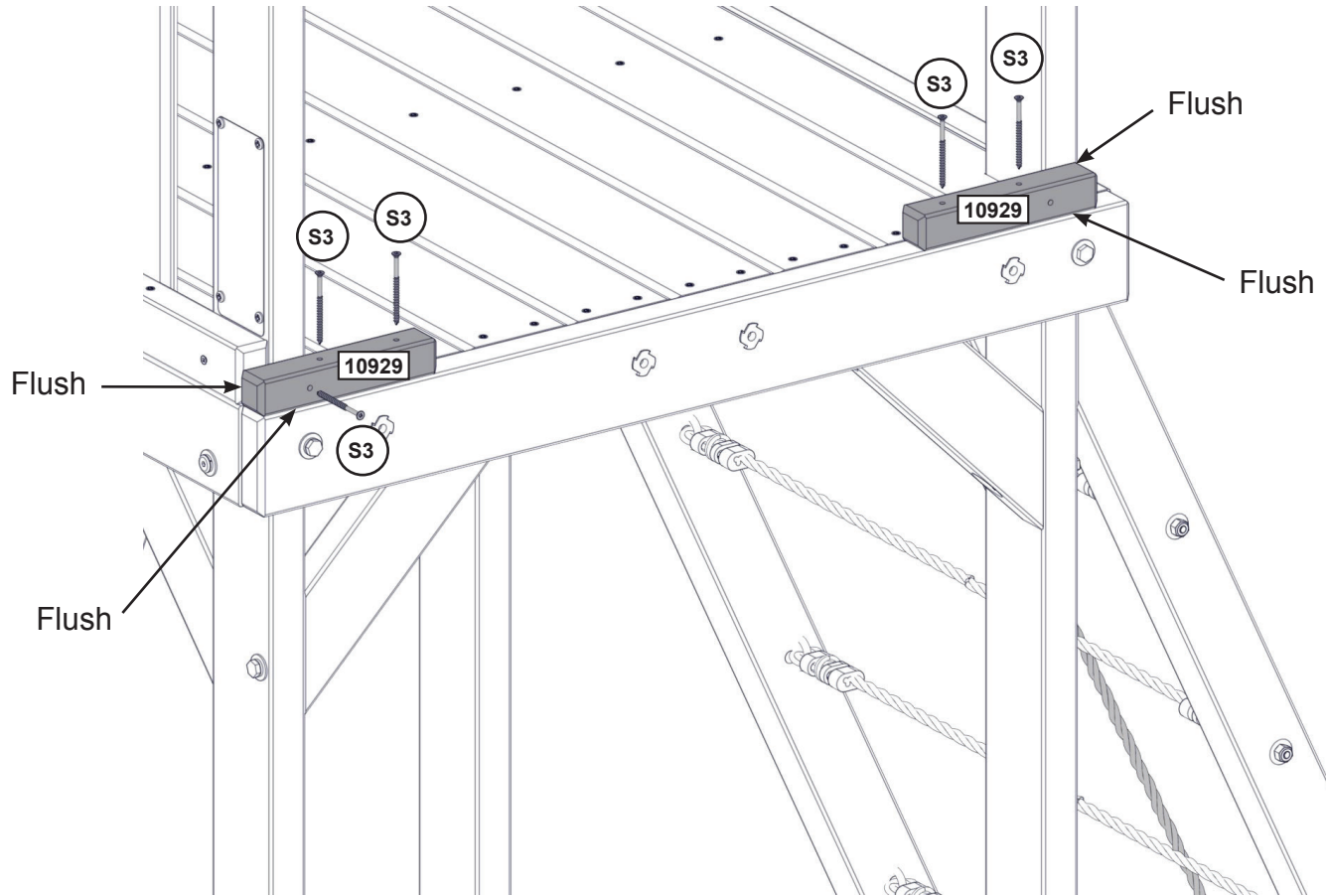
europecustomerservice@kidkraft.com
+31 20 305 8620
M-F from 09:00 to 17:30 (GMT+1)

parts.kidkraft.eu





Note: Structure partly removed for clarity.



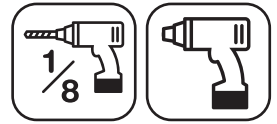
Wood Parts

2 x **10929** 31.8 x 31.8 x 177.8 mm (1 1/4" x 1 1/4" x 7")

Hardware

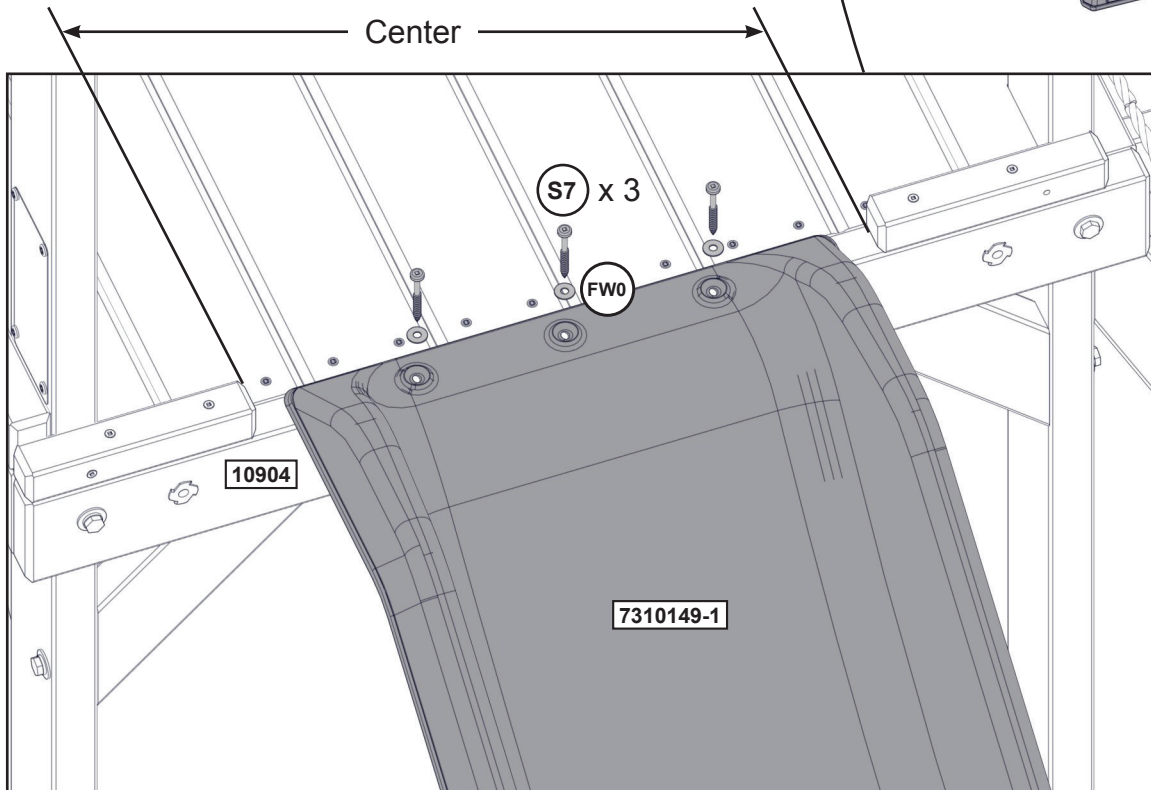
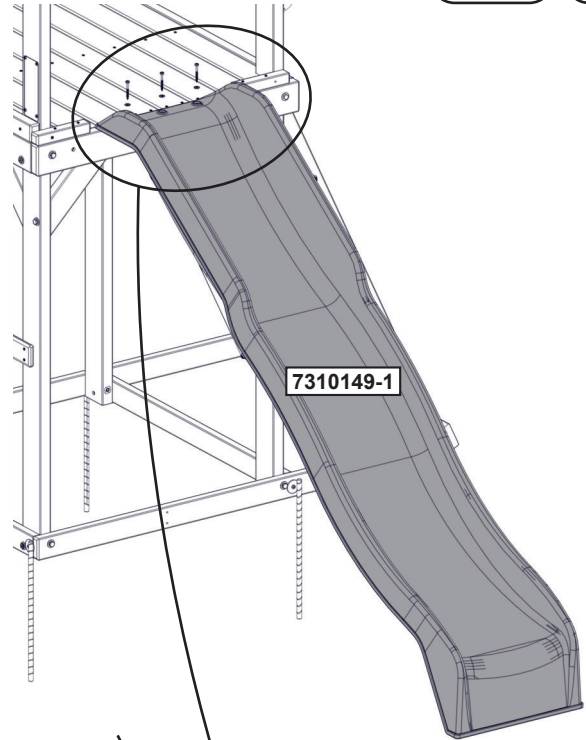
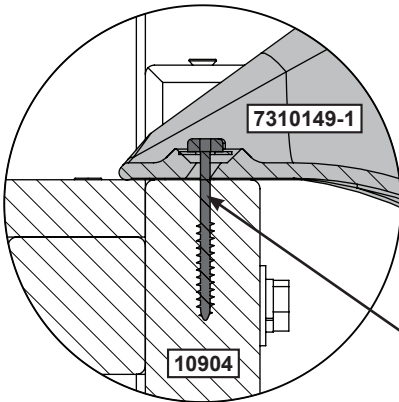
5 x **S3** #8 x 63.5 mm (#8 x 2-1/2")

Note: Pre-drill all holes using a 1/8" drill bit before installing the pan screws.



Place Slide centered in the opening.

Note: Structure partly removed for clarity.



Hardware

3 x #12 x 50.8 mm (#12 x 2") (FW0)

Other Parts

1 x



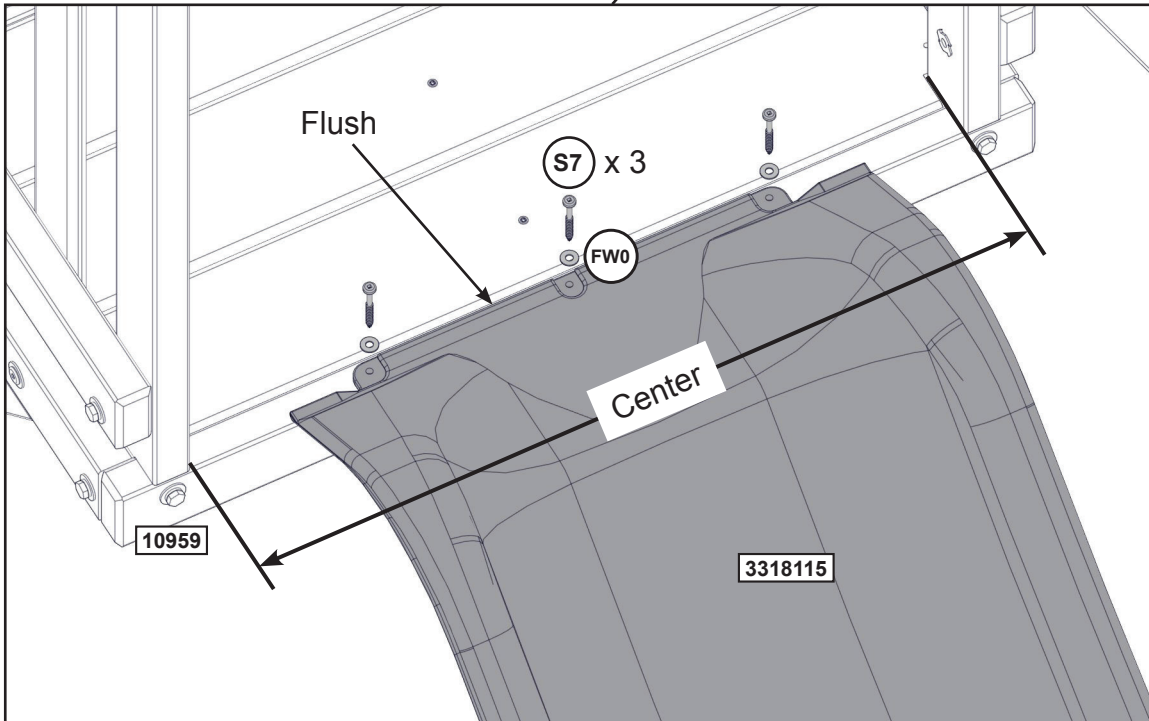
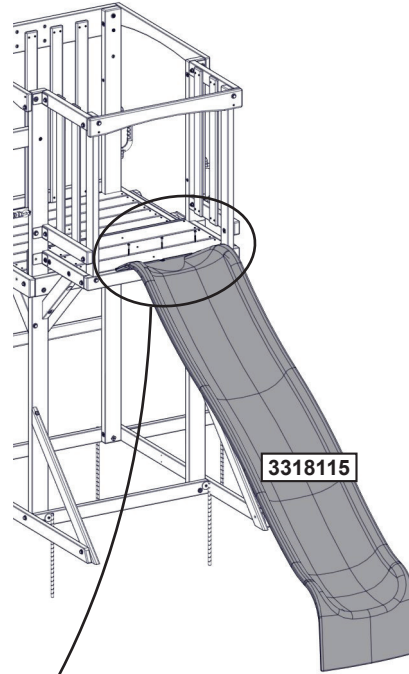


Note: Pre-drill all holes using a 1/8" drill bit.
Make sure all holes are vertical.

Place Slide centered in the opening.



Note: Structure partly removed for clarity.

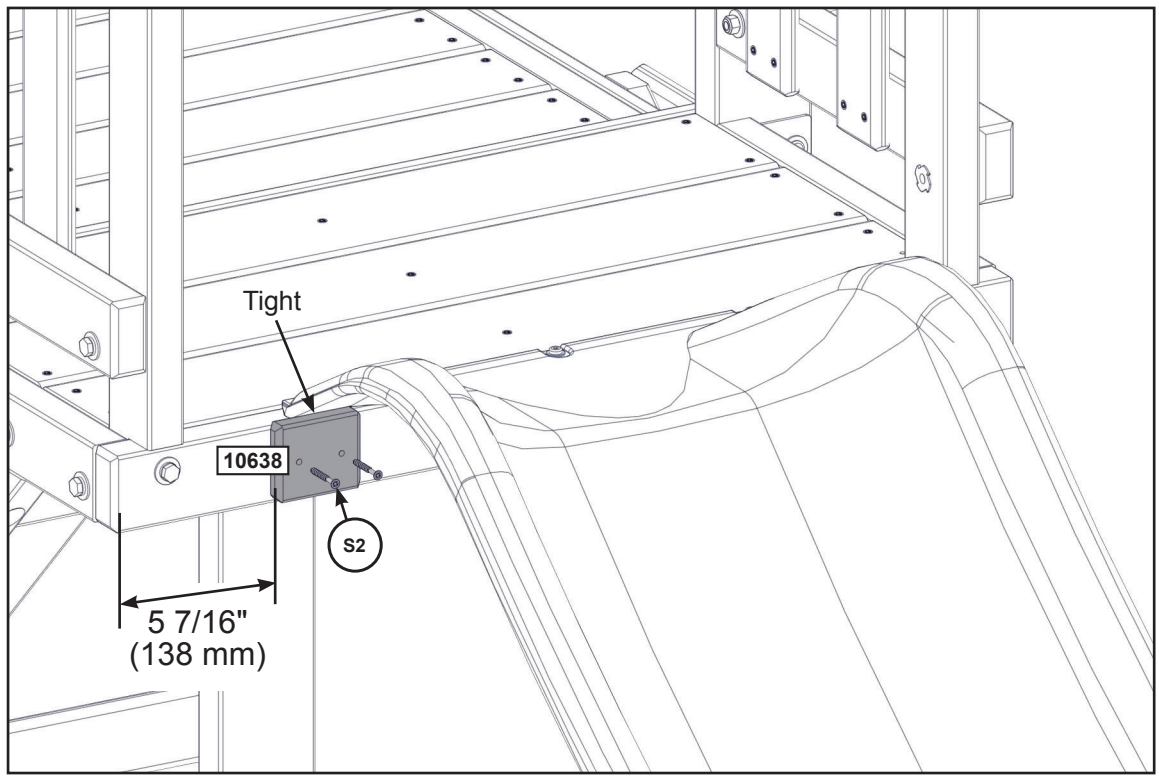
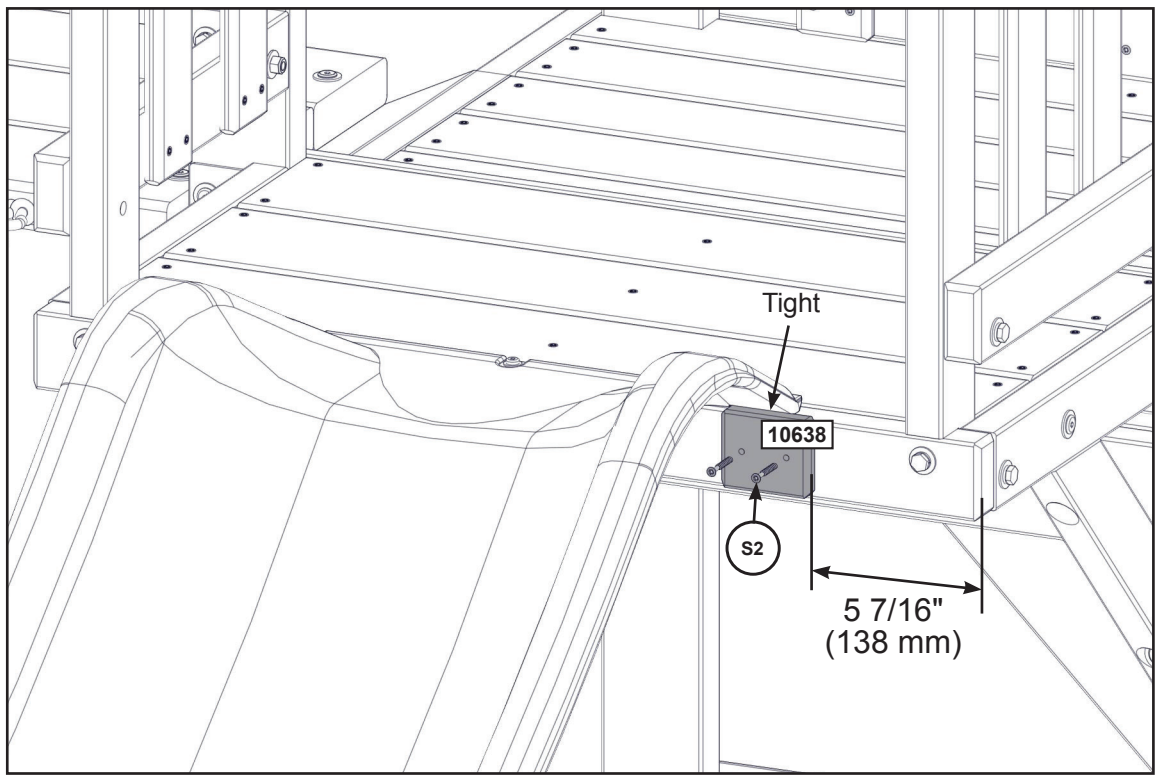
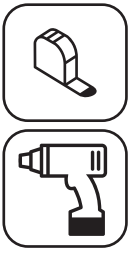


Hardware

3 x (S7) #12 x 50.8 mm (#12 x 2") (FW0)

Other Parts

1 x 3318115



Wood Parts

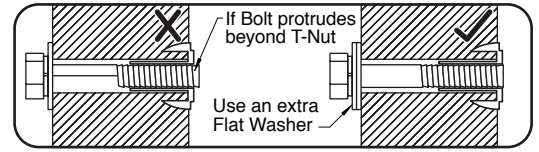
2 x 10638 15.9 x 63.5 x 76.2 mm (5/8" x 2 1/2" x 3")

Hardware

4 x S2 #8 x 38.1 mm (#8 x 1-1/2")



⚠️ WARNING: Check entire playset for bolts protruding beyond T-Nuts. Use extra washers to eliminate this condition.



- A: Attach 2 Belt Swings and Swing Bar to the Bolt-Thru Swing Hangers. (fig. 1)
- B: Insert flexible Swing Hanger Cover (9300000) over hook. (fig. 2)
- C: Slide Swing Hanger Cover around hook until at top. (fig. 3)
- D: Hook swing rope onto hook. (fig. 4)
- E: Twist and flex Swing Hanger Cover onto open end of hook. (fig. 5)



Fig. 2

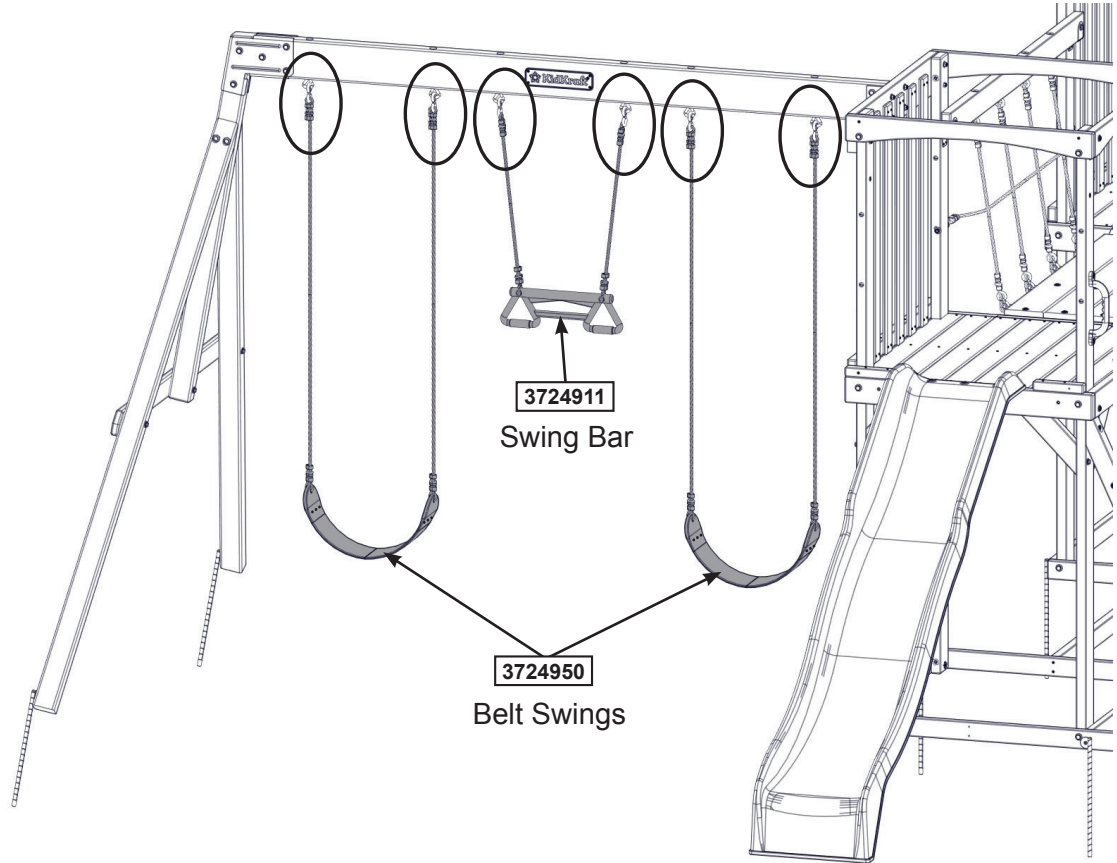
Fig. 3

Fig. 4

Fig. 5

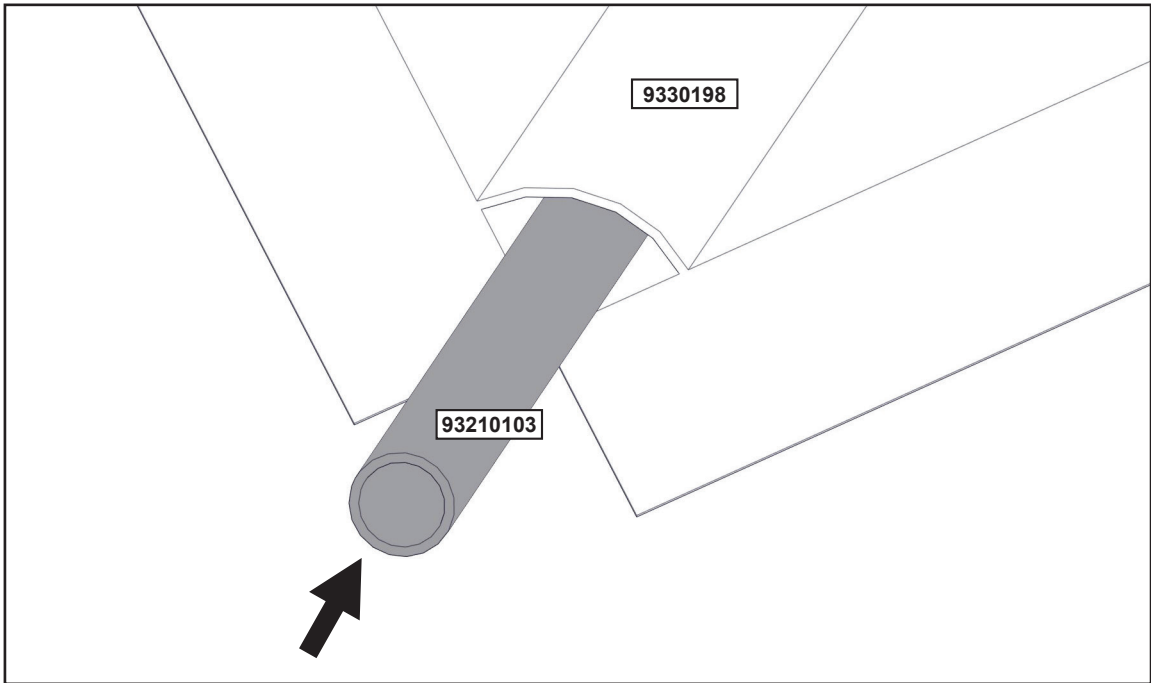
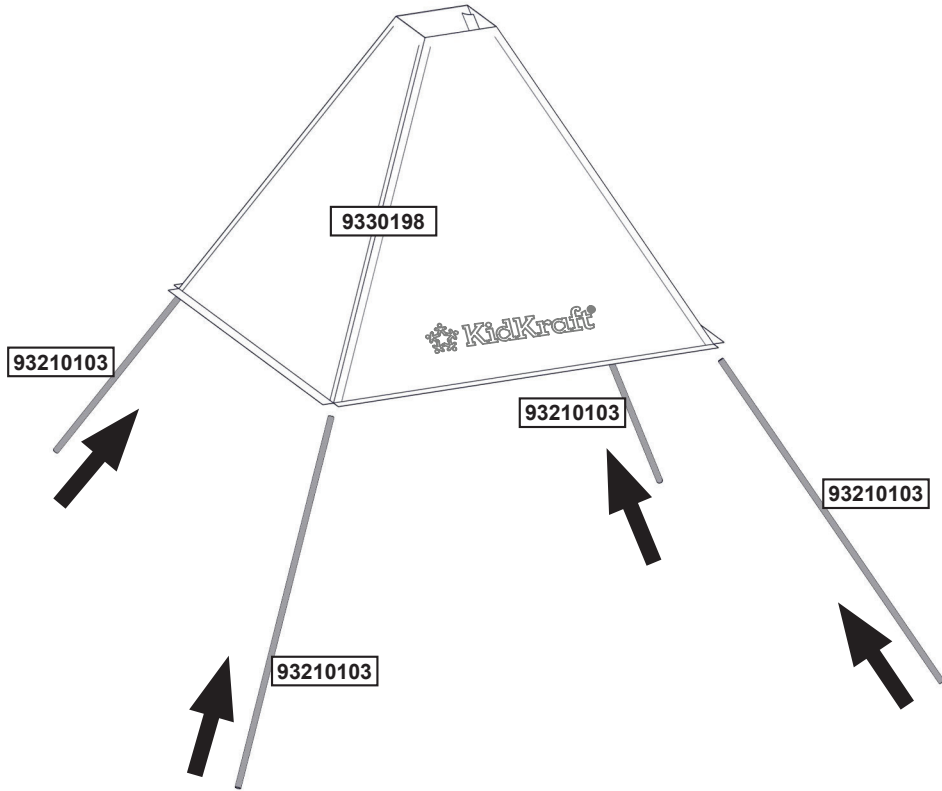
9300000

Fig. 1



Other Parts

1 x	3724911
2 x	3724950
6 x	9300000



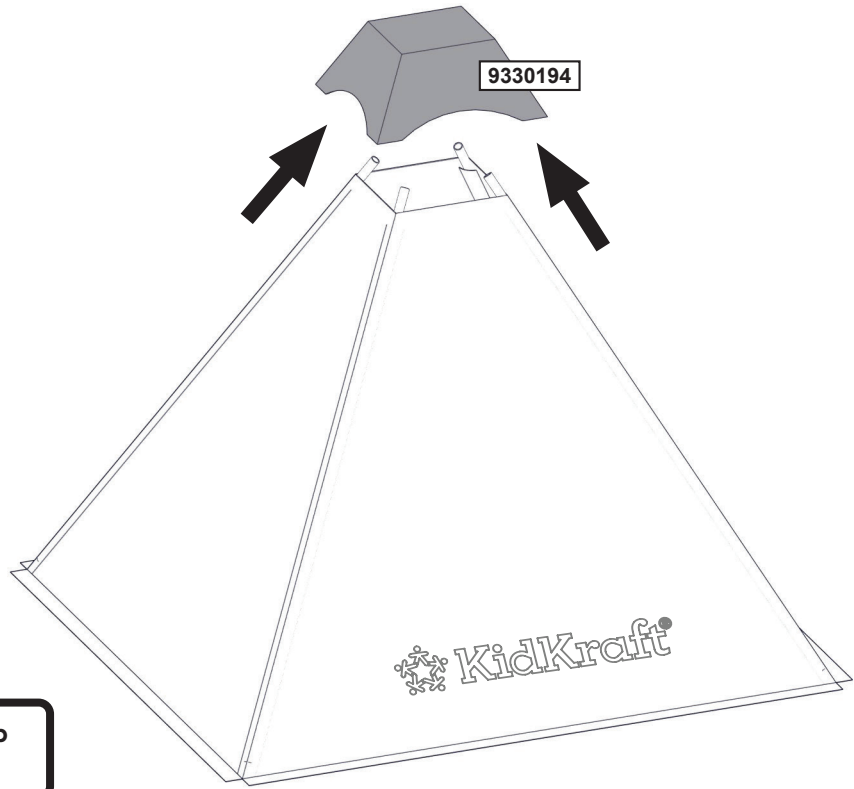
Underneath View

Other Parts

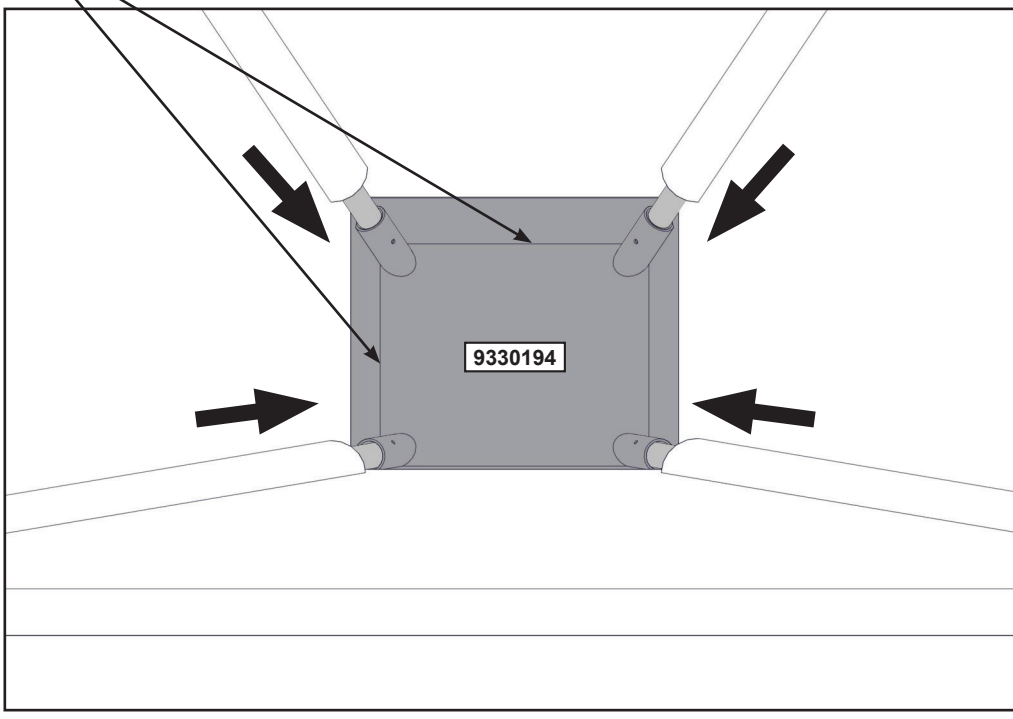
1 x 9330198

4 x 93210103





Note Roof Cap Orientation.



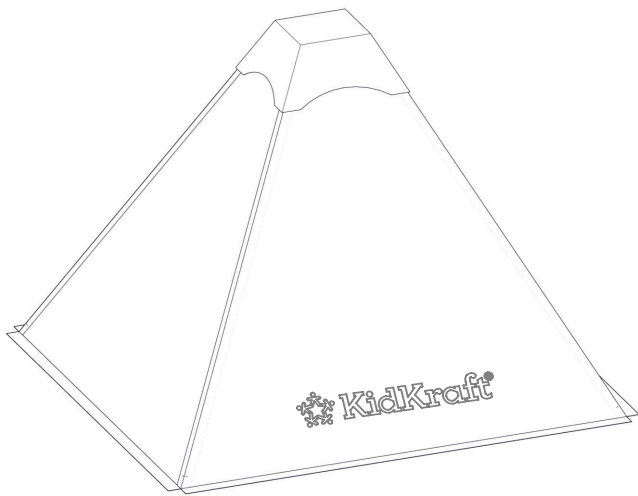
Underneath View

Other Parts

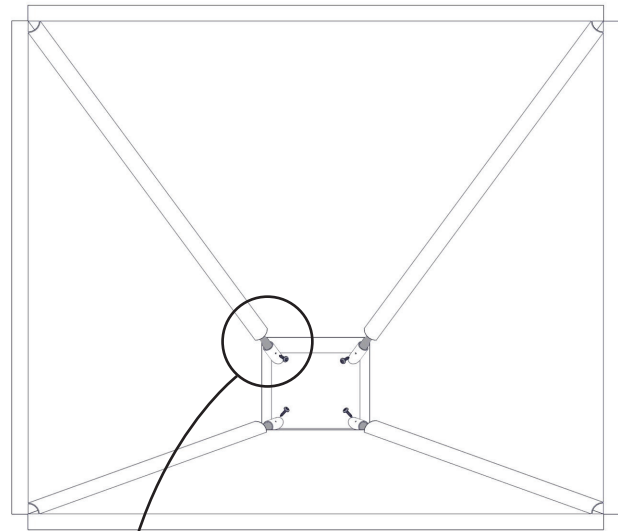
1 x 9330194



Outside View



Inside and Underneath View



Using the holes as guide, pre-drill each hole using a 1/8" drill bit.

DO NOT over tighten the Screw.

S5 x 1 per tube

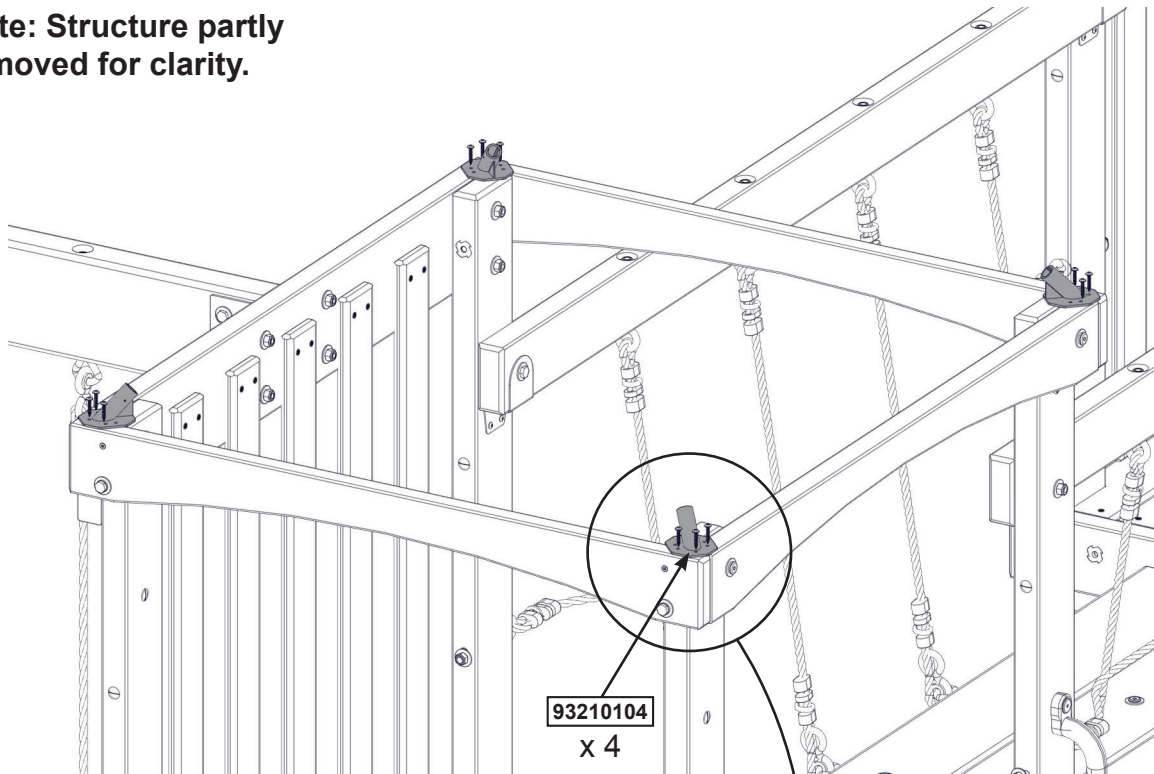
Hardware

4 x S5 #8 x 12.7 mm (#8 x 1/2")

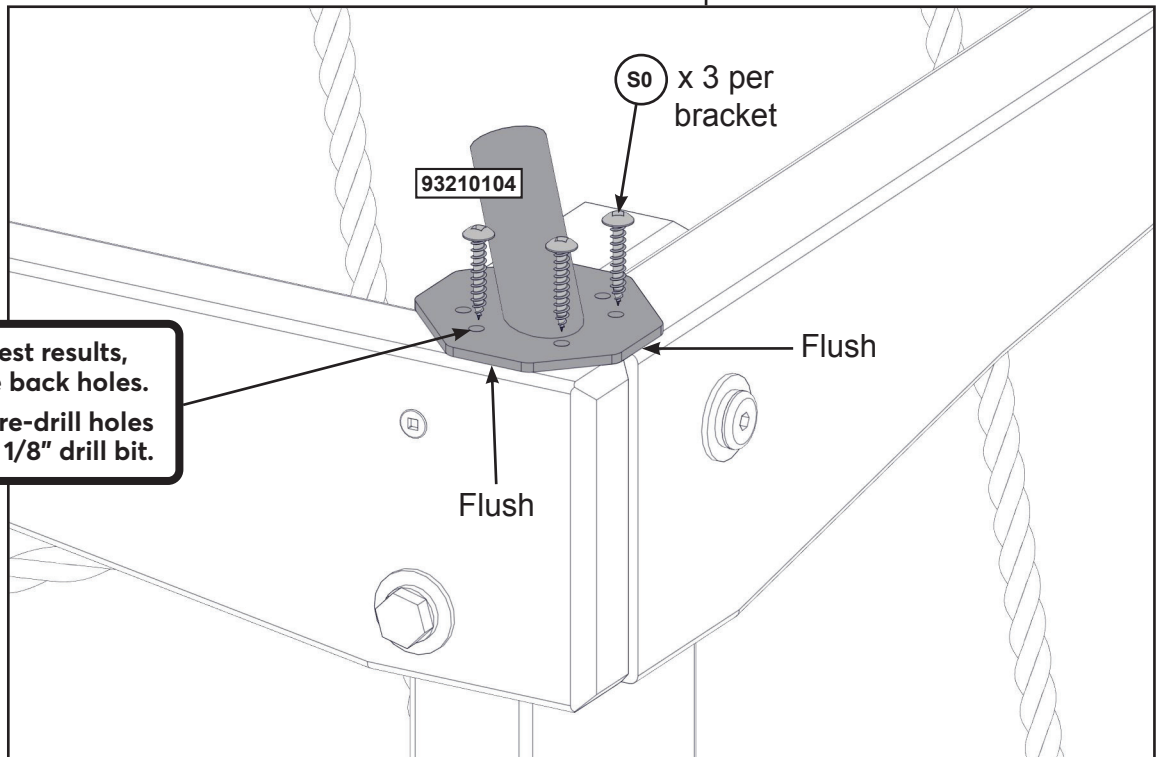


100

Note: Structure partly removed for clarity.



93210104
x 4



s0 x 3 per bracket

93210104

Flush

Flush

For best results, use the back holes.
Note: Pre-drill holes using a 1/8" drill bit.



Hardware

12 x s0 #8 x 22.2 mm (#8 x 7/8")

Other Parts

4 x 93210104

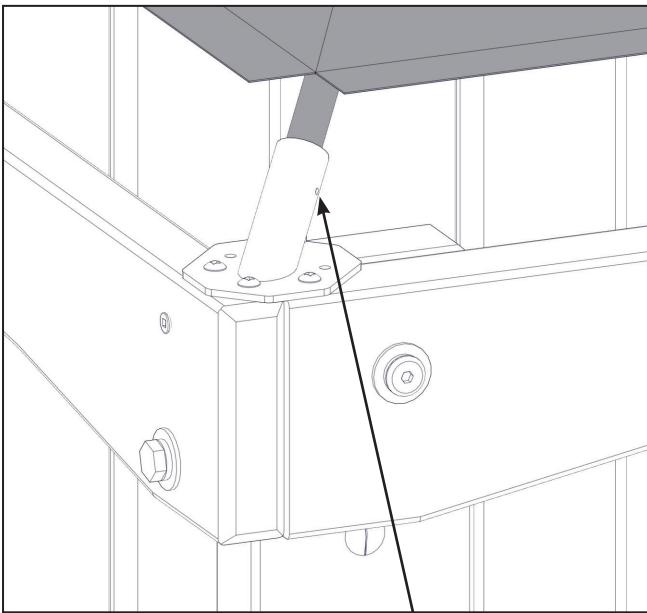
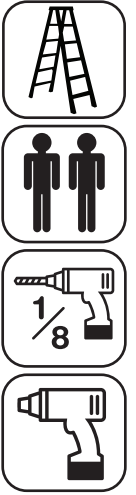
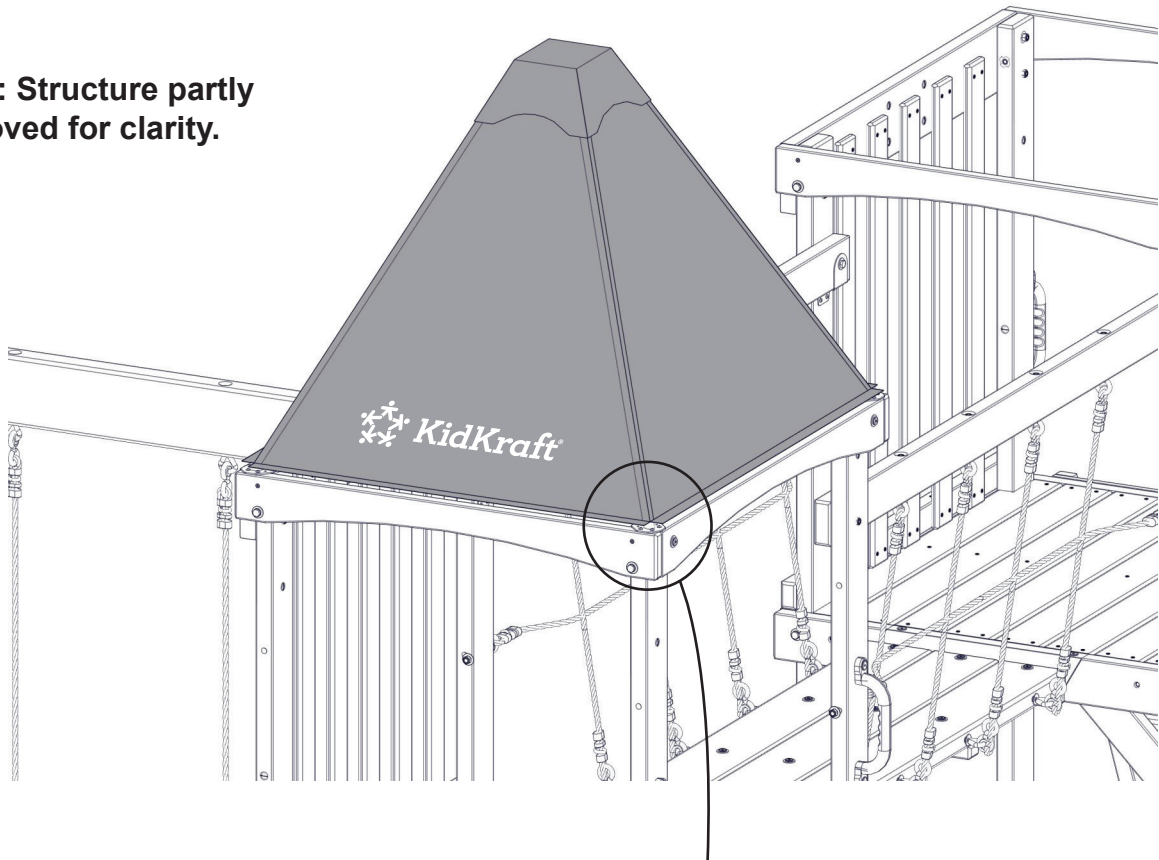


parts.kidkraft.com

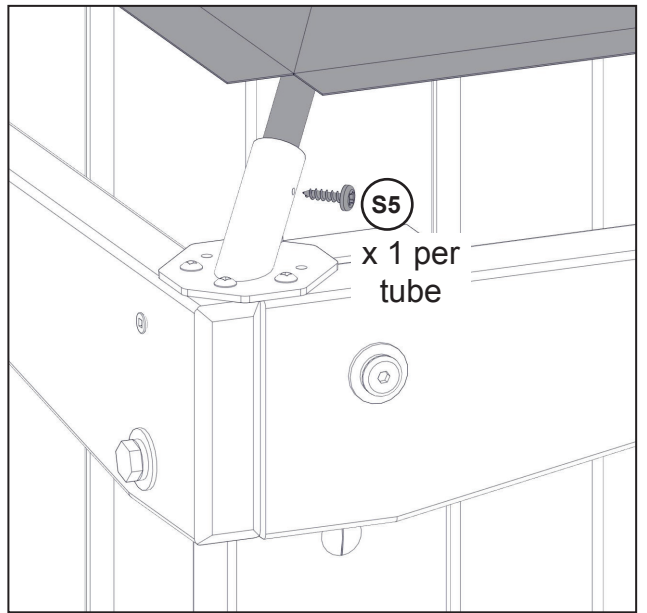
customerservice@kidkraft.com
1.800.933.0771
972.385.0100

101

Note: Structure partly removed for clarity.



Using the hole as guide, pre-drill each hole using a 1/8" drill bit.
The hole may be on the opposite side.



DO NOT over tighten the Screw.

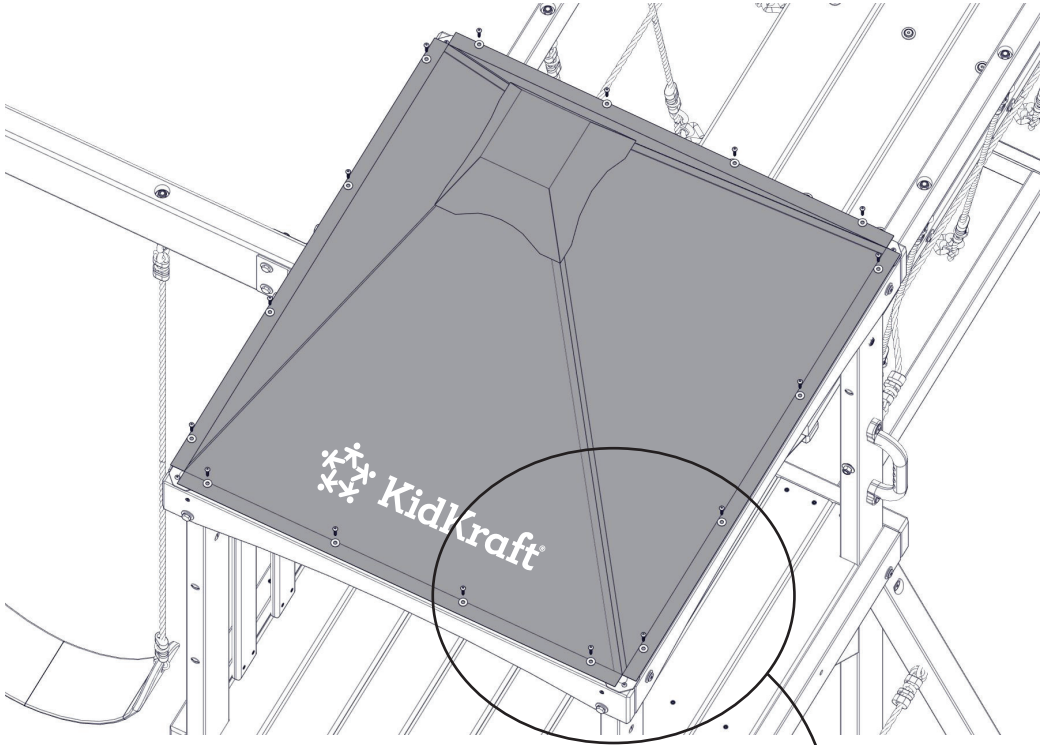
Hardware

4 x  #8 x 12.7 mm (#8 x 1/2")

europecustomerservice@kidkraft.com
+31 20 305 8620
M-F from 09:00 to 17:30 (GMT+1)

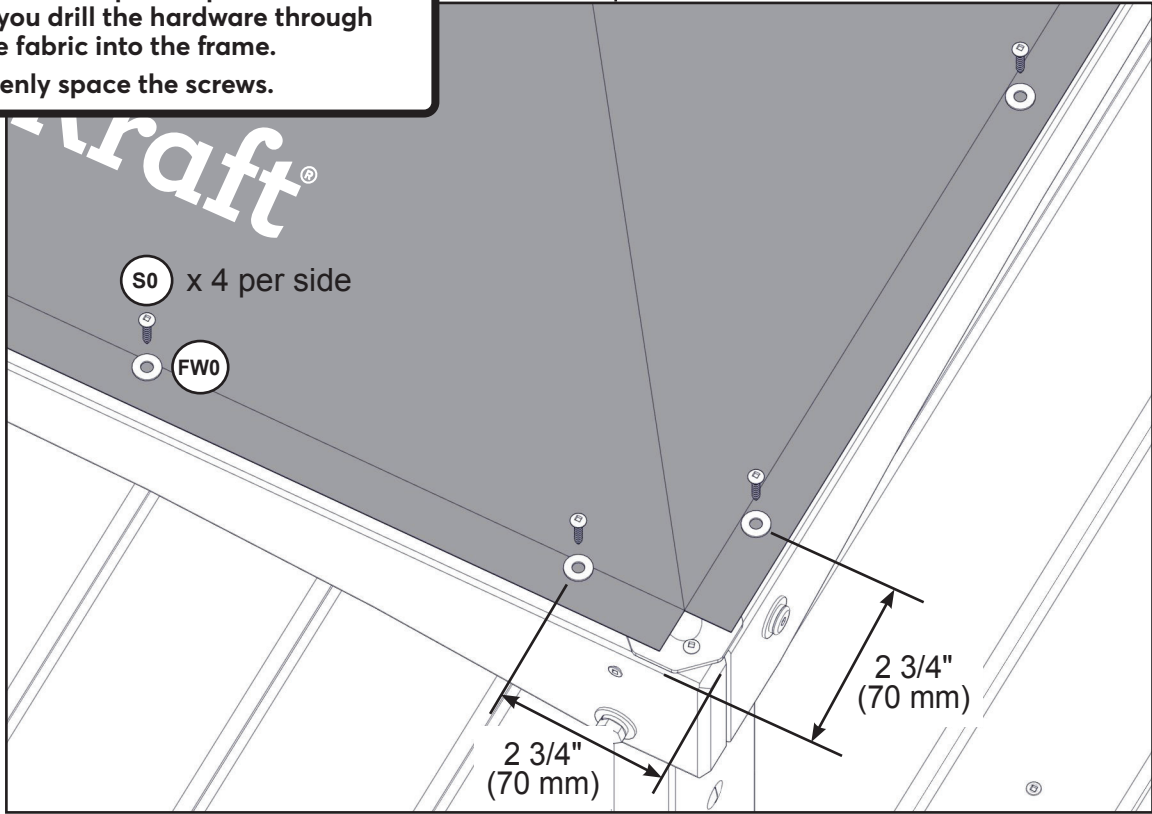
parts.kidkraft.eu





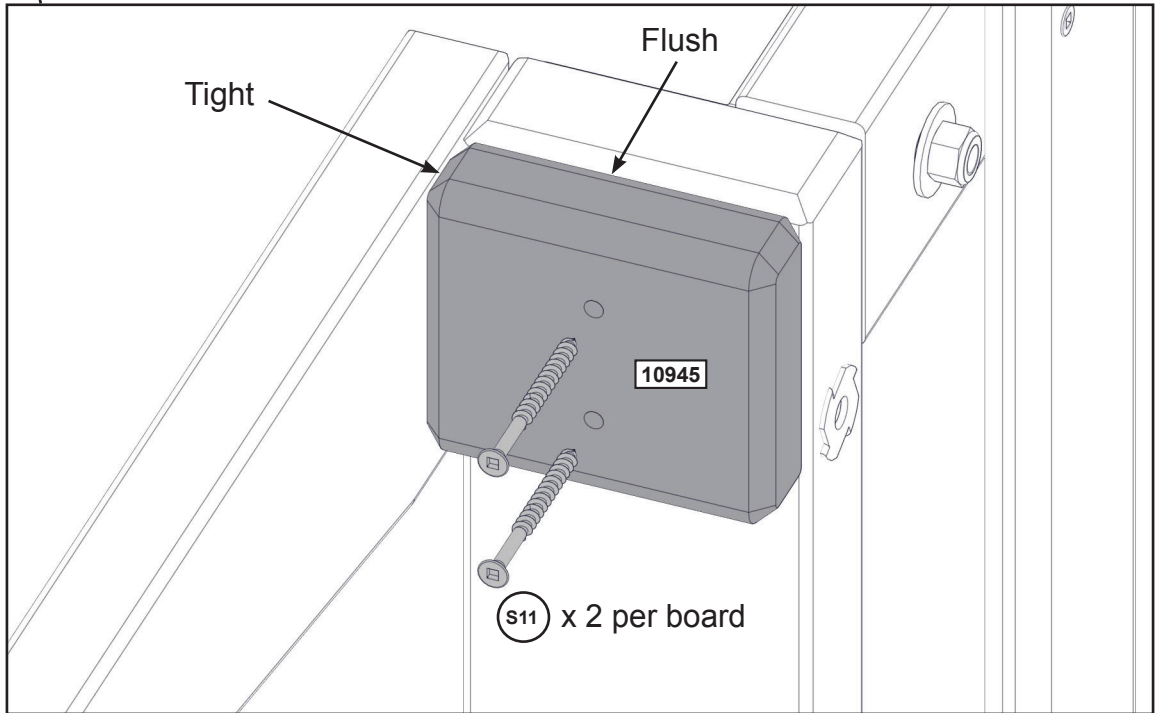
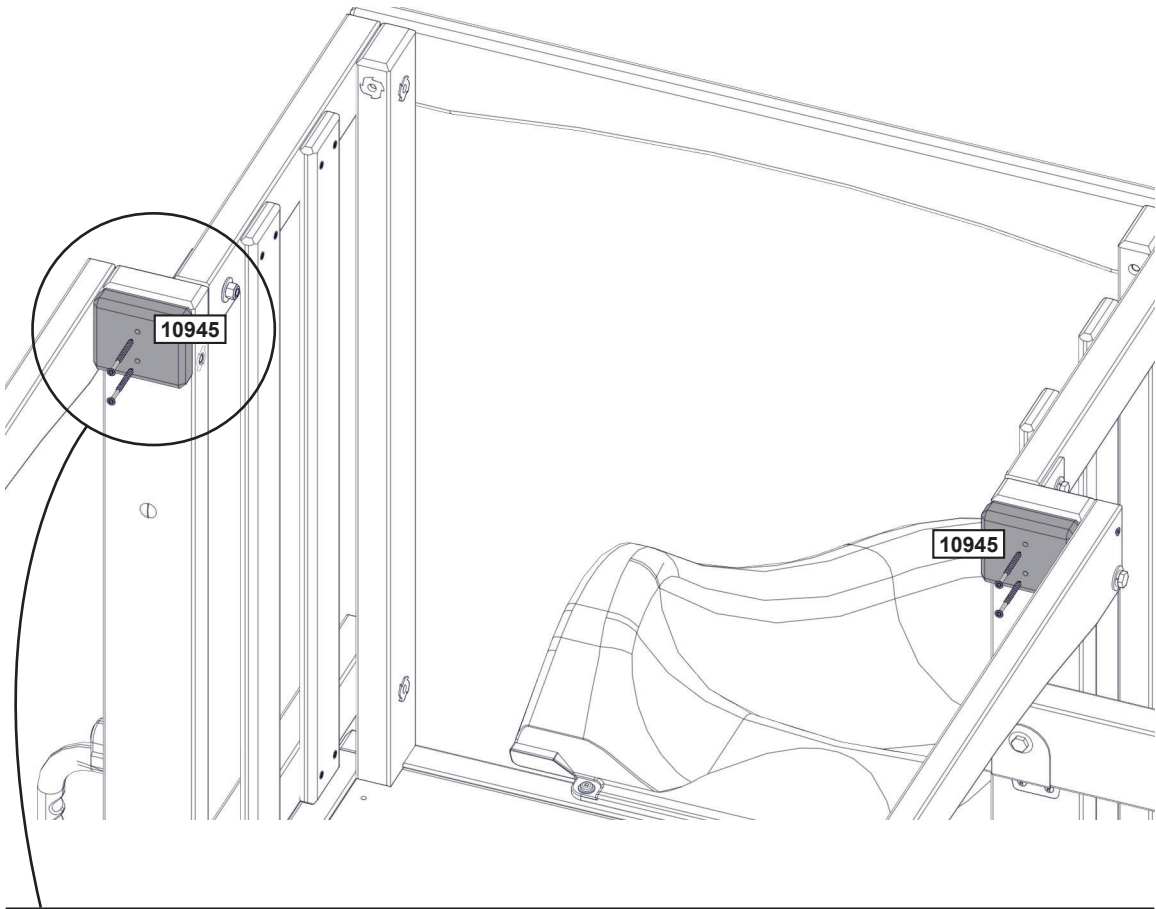
Note: Structure partly removed for clarity.

Have an adult helper keep the fabric taught as you drill the hardware through the fabric into the frame. Evenly space the screws.



Hardware

16 x  #8 x 22.2 mm (#8 x 7/8") (FW0)



Wood Parts

2 x **10945** 25.4 x 76.2 x 85.7 mm (1" x 3" x 3 3/8")

Hardware

4 x **S11** #8 x 50.8 mm (#8 x 2")

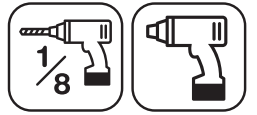
europecustomerservice@kidkraft.com
+31 20 305 8620
M-F from 09:00 to 17:30 (GMT+1)

parts.kidkraft.eu

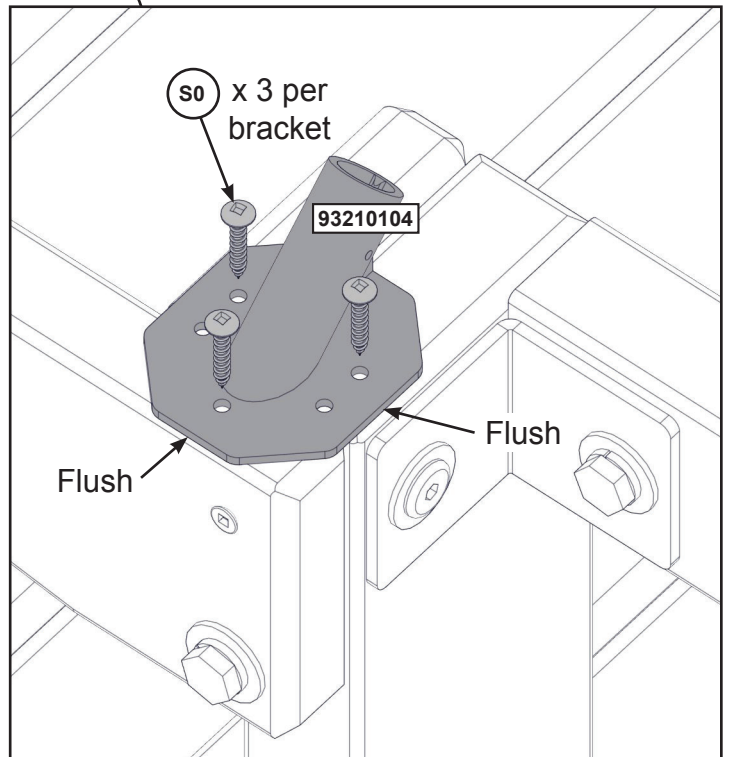
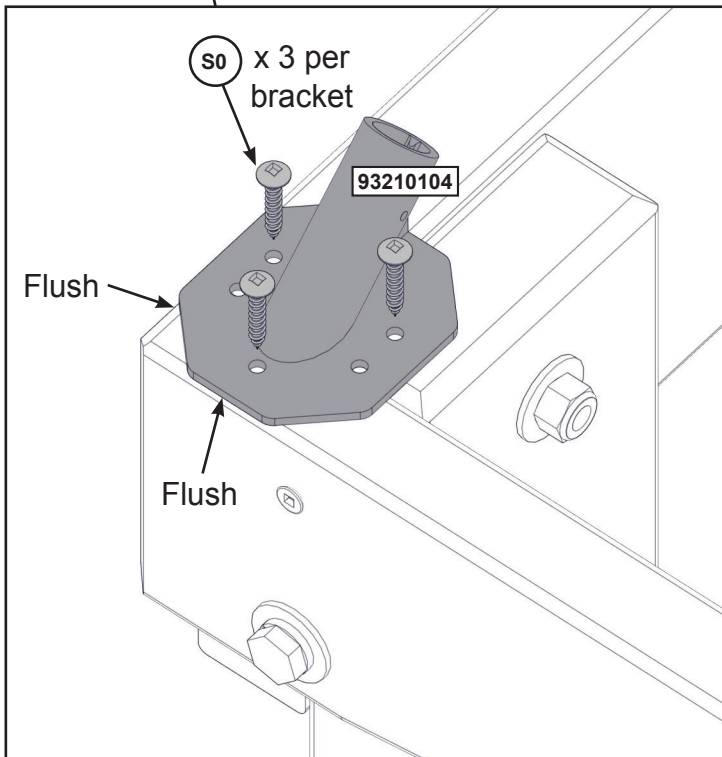
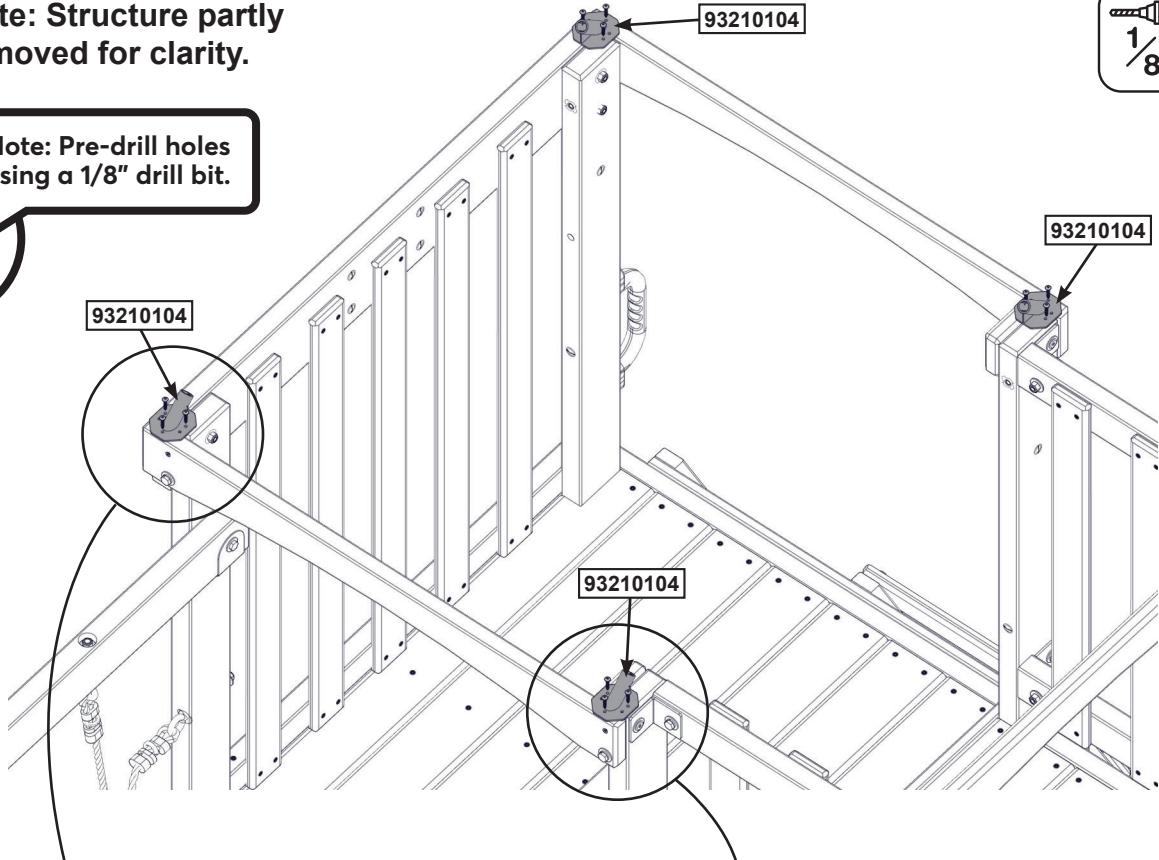


104

Note: Structure partly removed for clarity.



Note: Pre-drill holes using a 1/8" drill bit.

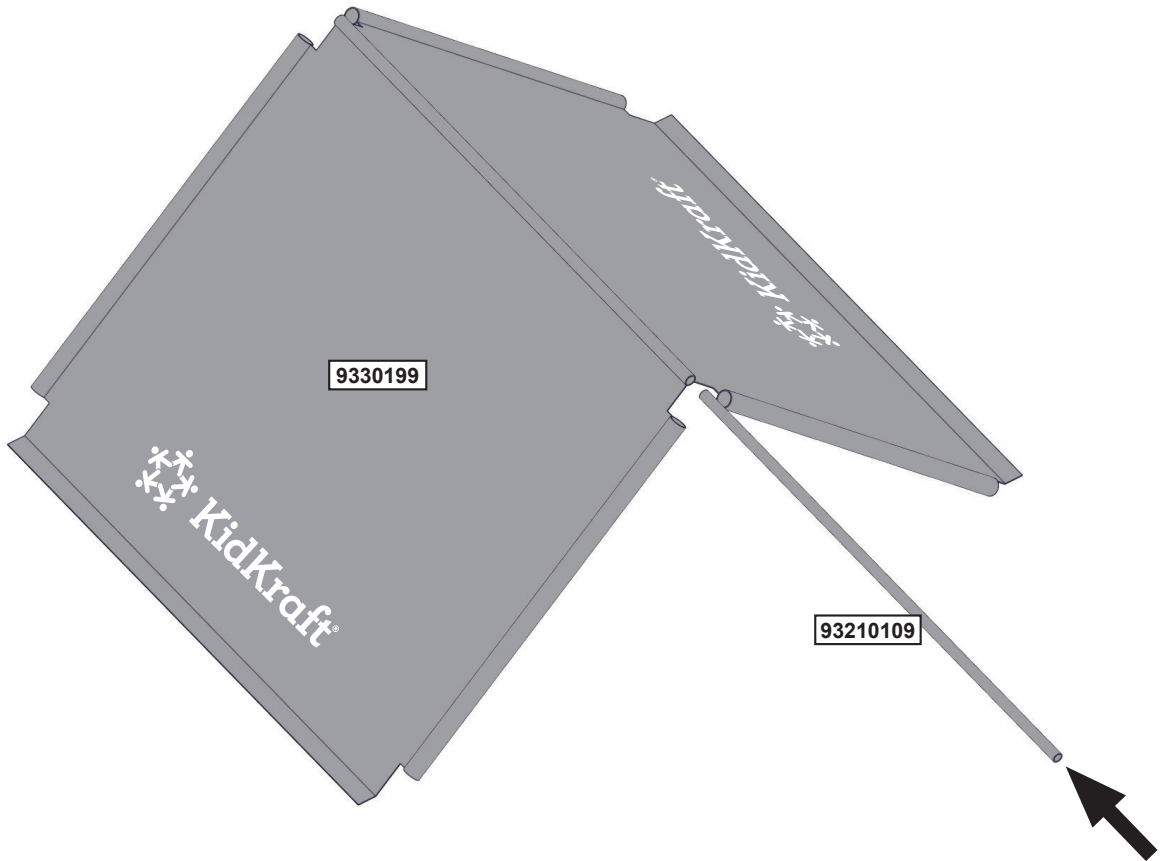


Hardware

12 x (s0) #8 x 22.2 mm (#8 x 7/8")

Other Parts

4 x 93210104

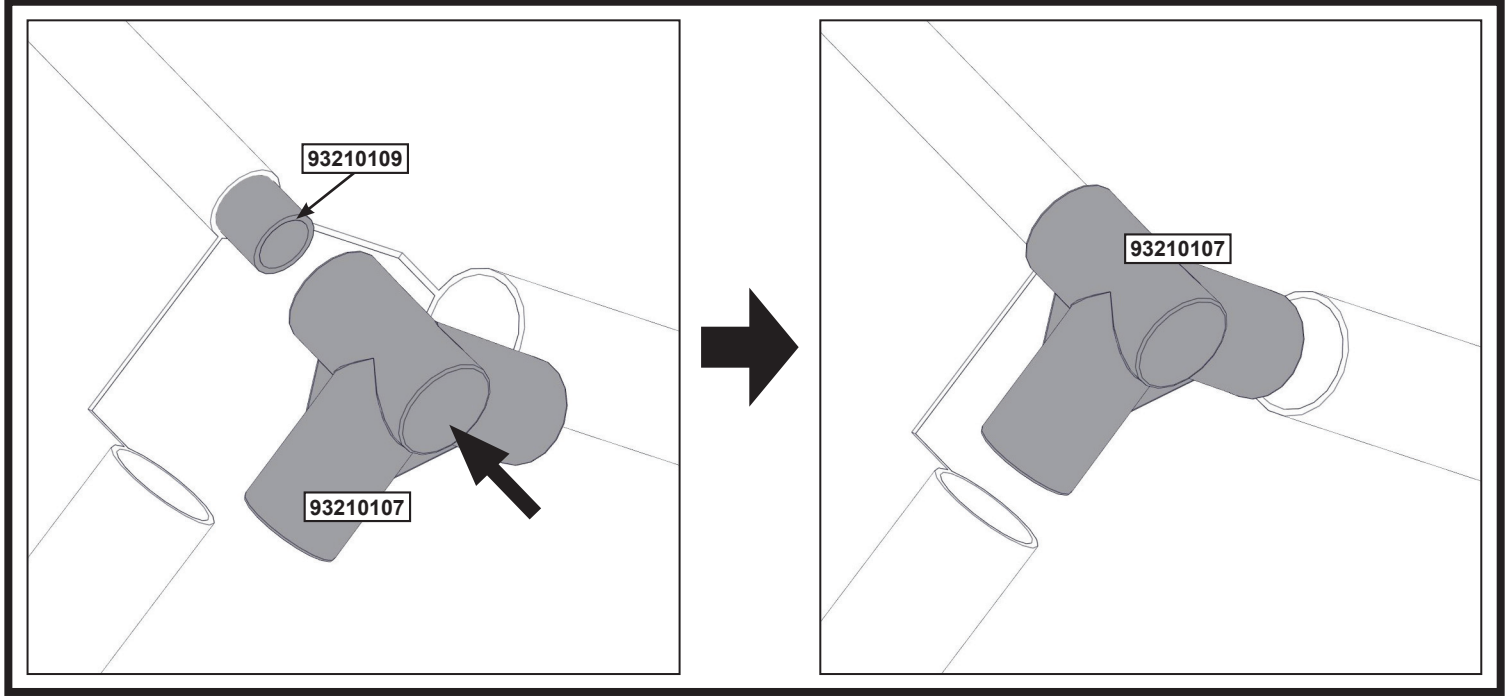
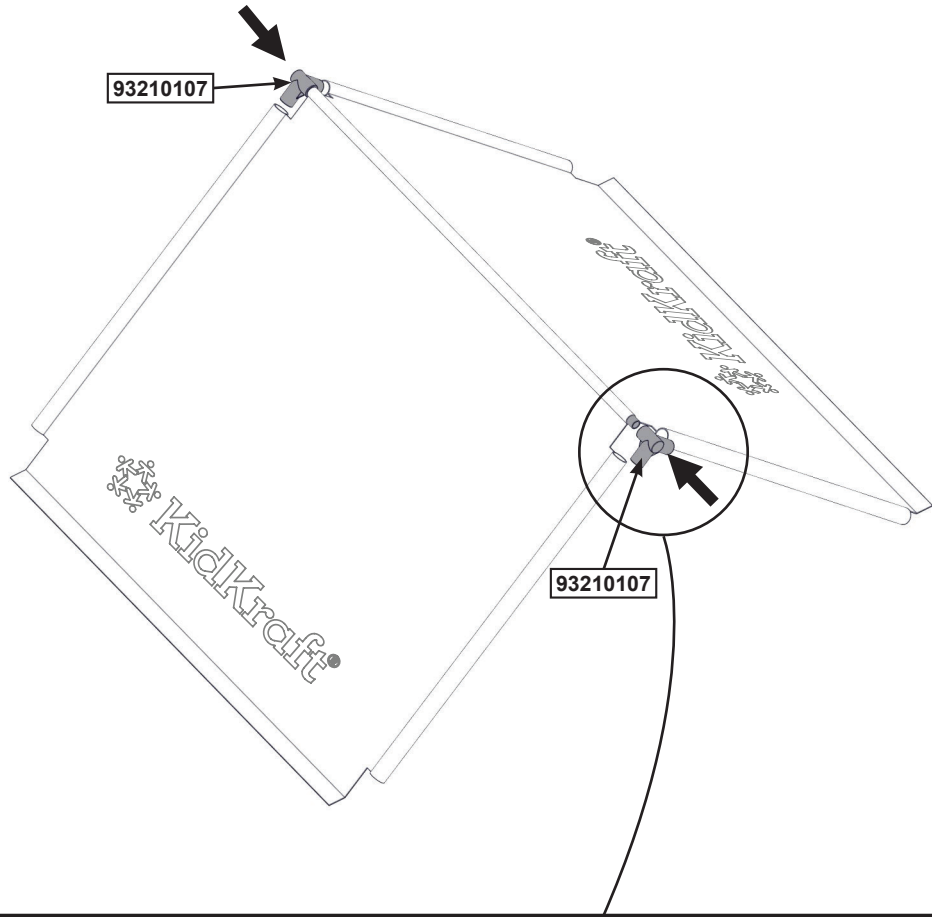


Other Parts

1 x 9330199

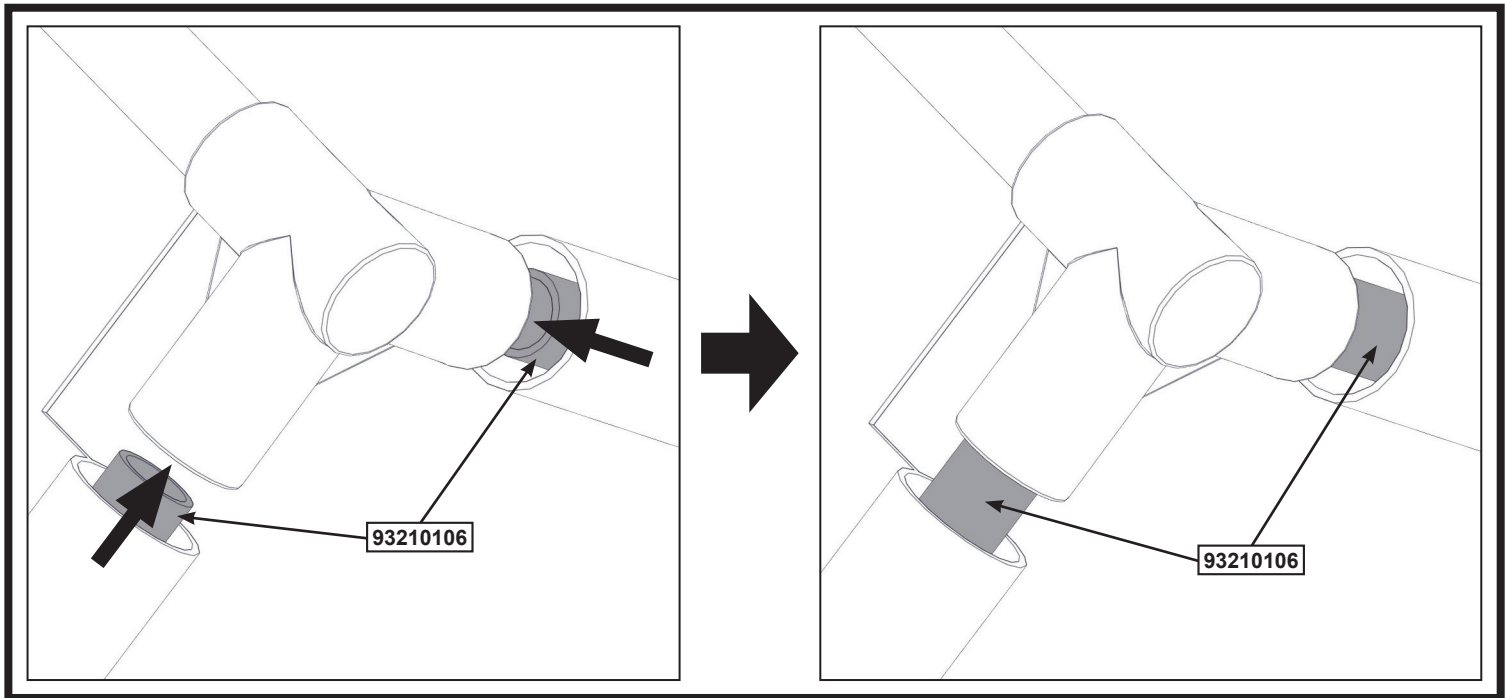
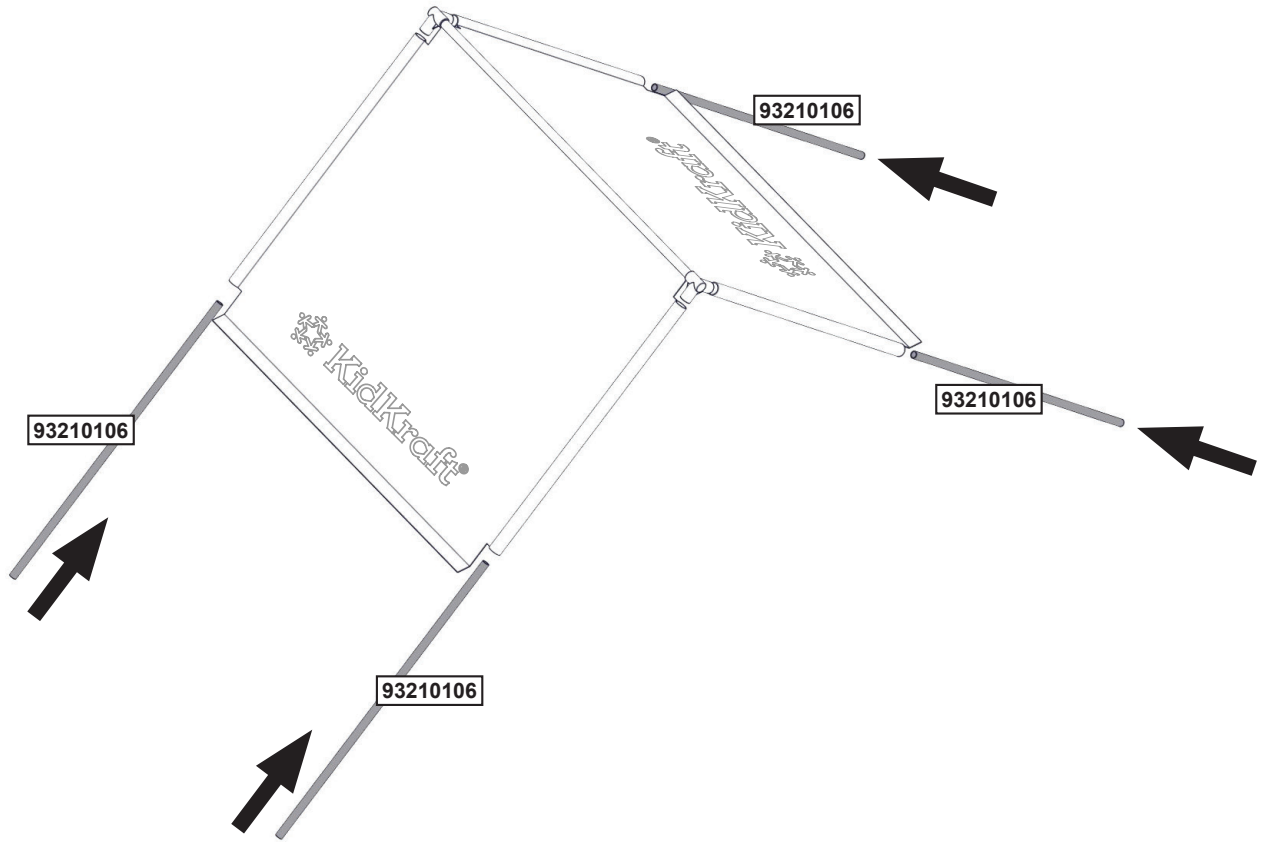
1 x 93210109





Other Parts
2 x 93210107

107



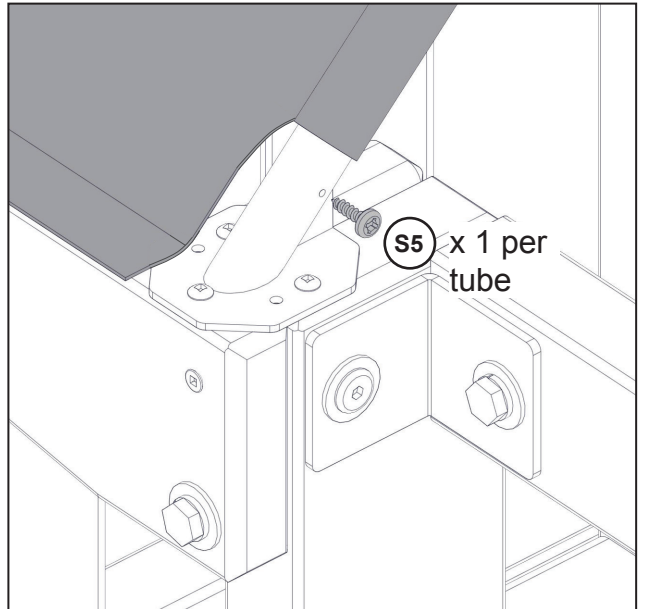
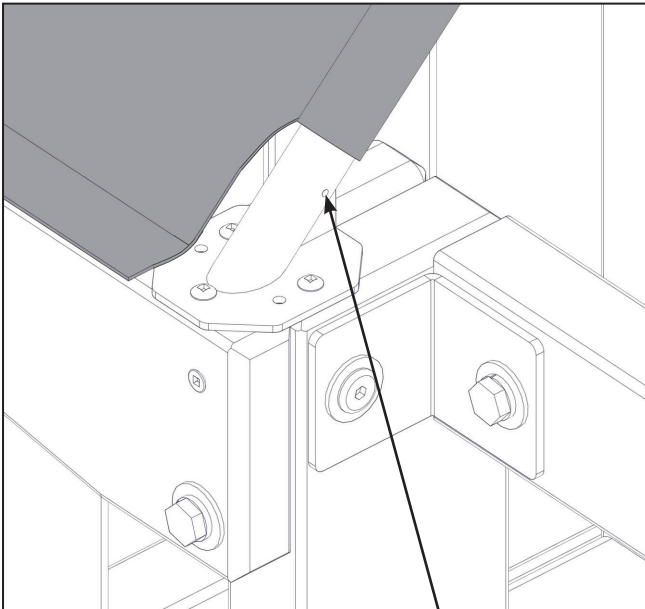
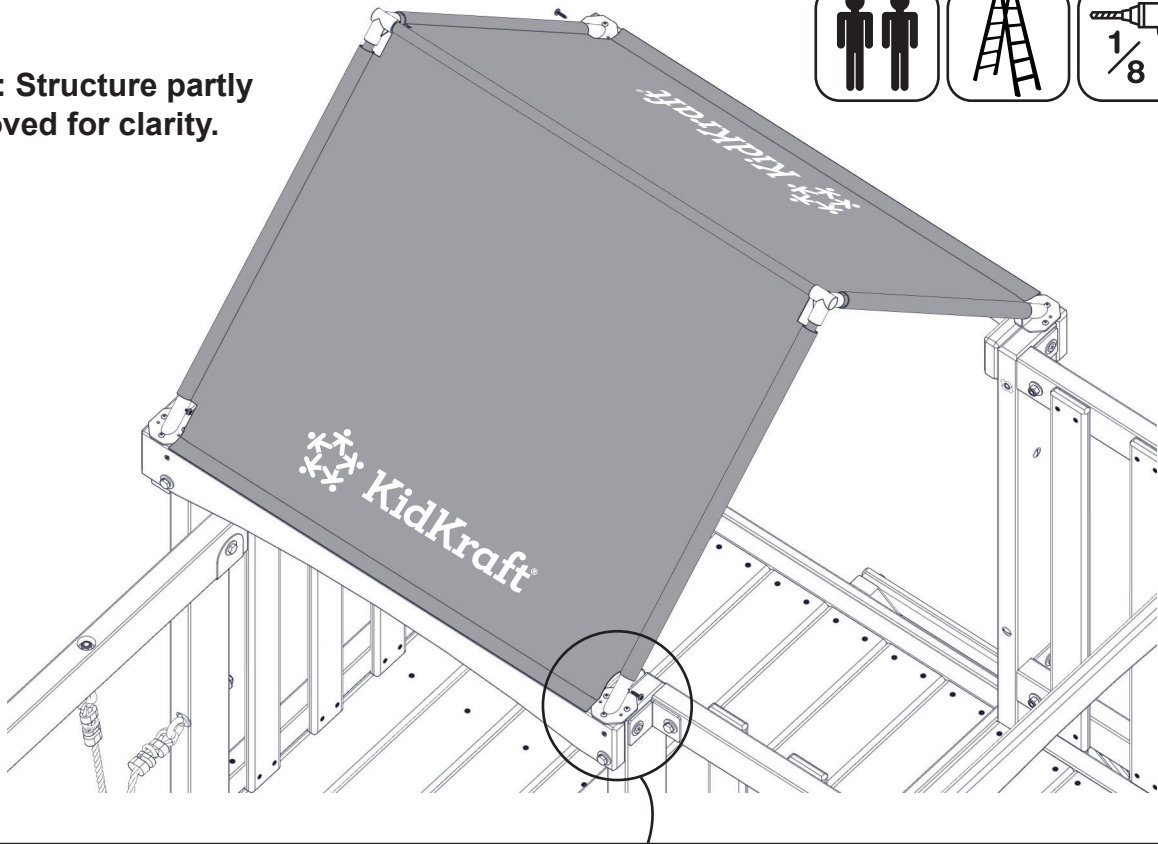
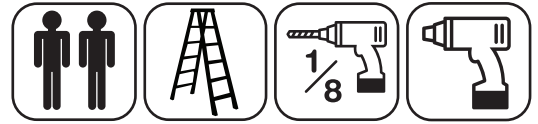
Other Parts

4 x **93210106**



108


Note: Structure partly removed for clarity.



Using the hole as guide, pre-drill each hole using a 1/8" drill bit. The hole may be on the opposite side.

DO NOT over tighten the Screw.

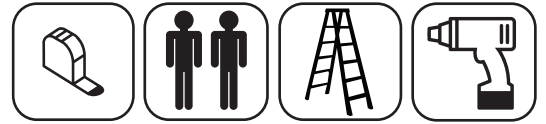
Hardware

4 x  #8 x 12.7 mm (#8 x 1/2")

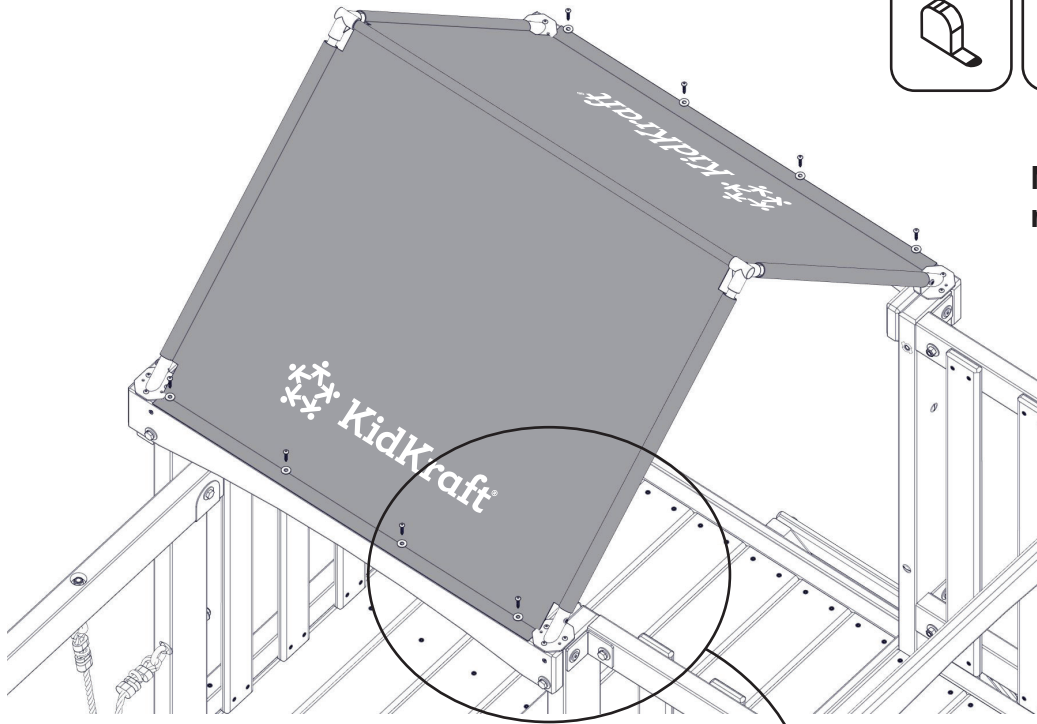


parts.kidkraft.com

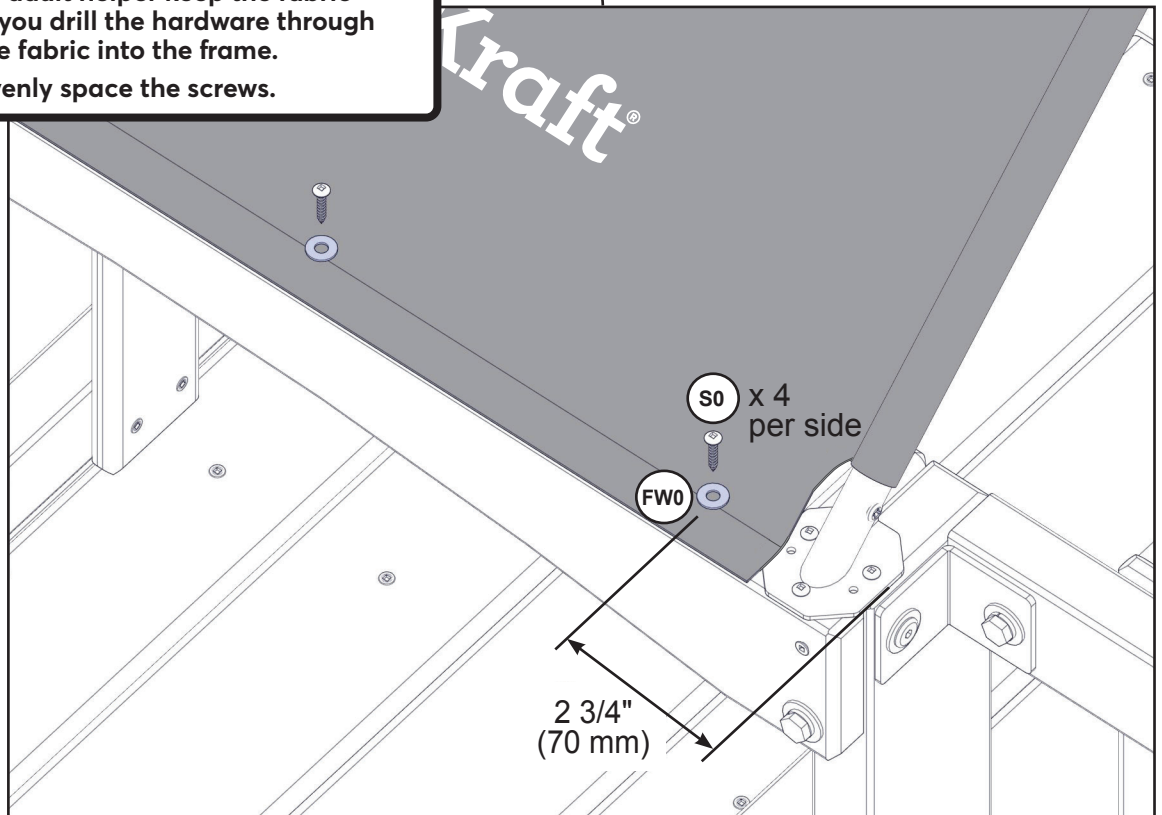
customerservice@kidkraft.com
1.800.933.0771
972.385.0100



Note: Structure partly removed for clarity.



Have an adult helper keep the fabric taught as you drill the hardware through the fabric into the frame. Evenly space the screws.



Hardware

8 x **S0** #8 x 22.2 mm (#8 x 7/8") (FW0)



3 EASY WAYS TO REGISTER YOUR PRODUCT 24/7

- 1) Scan this QR Code with your smart phone to complete your product registration directly from your phone:
- 2) Complete the registration online at: https://www.kidkraft.com/us_en/warranty/
- 3) Mail this completed form to: KidKraft Inc., 4630 Olin Road, Dallas, Tx 75244 USA
Make sure to include a copy of your proof of purchase



KIDKRAFT Consumer Registration Card

First Name Initial Last Name

Street Apt. No.

City State/Province ZIP/Postal Code

Country Telephone Number

E-Mail Address

Model Number Model Name

Model Number & Name example
F24145 AINSLEY PLAY SYSTEM

Purchased From Date Purchase

MM / DD / YY

Serial Number (on ID Plaque)



ID Plaque example

Box #: _____ 1 of _____	Box #: _____ 4 of _____	Box # (Ex: B29410 1of 6) <div style="border: 1px solid black; padding: 5px; display: inline-block;"> 1 OF 6 <small>ITEM / ARTICLE N°</small> B29410 </div>
Box #: _____ 2 of _____	Box #: _____ 5 of _____	
Box #: _____ 3 of _____	Box #: _____ 6 of _____	

For common questions or for information on ordering replacement parts:

Help Center: <https://kidkraft.zendesk.com/hc/en-us/>

