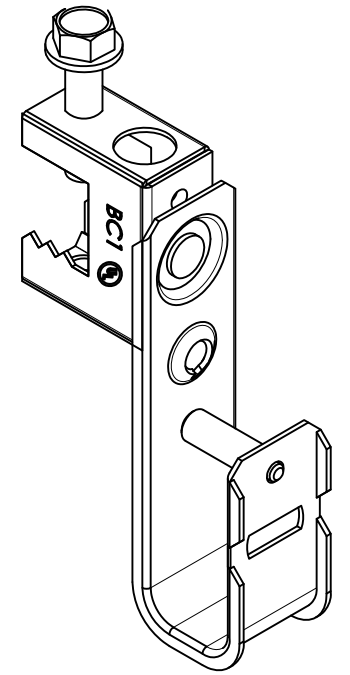
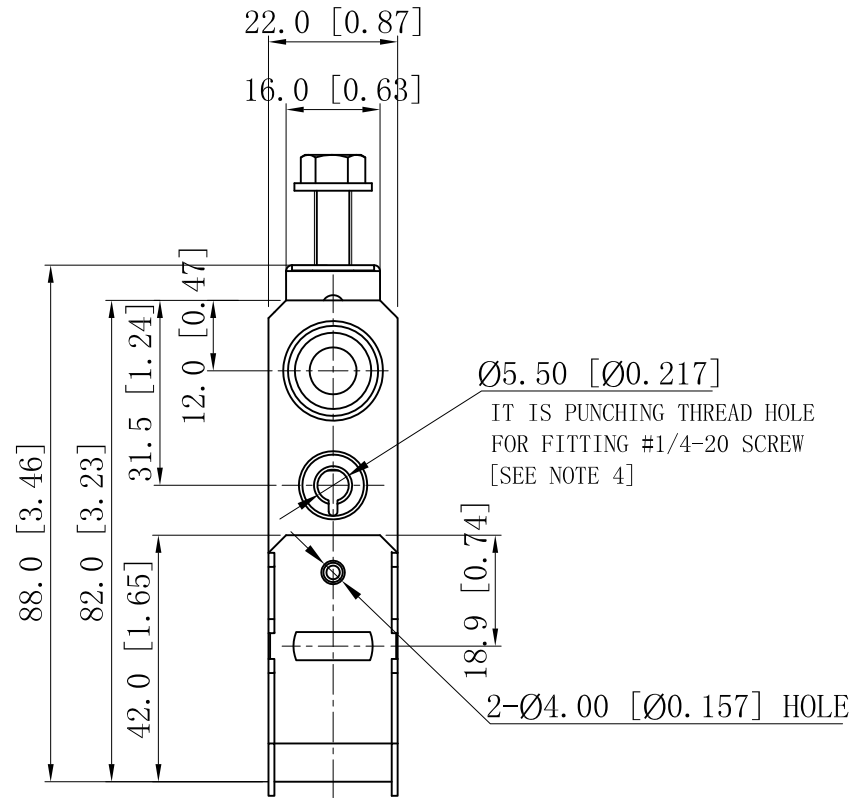
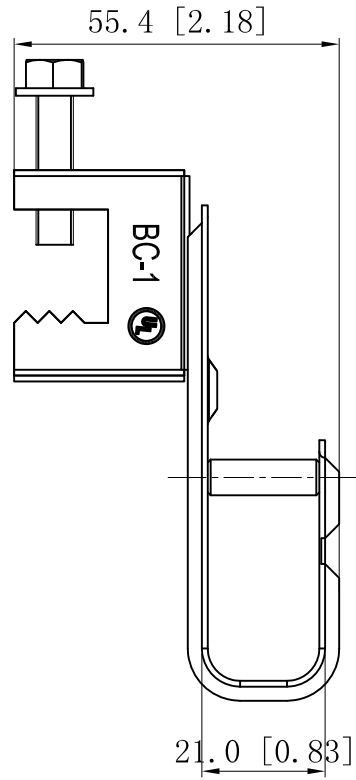


SIDES	BOTTOM
1 PCS #1/4-20×1 Screws Installed	
Material:Steel-0.039"-G60 Galvanized	



Ø5.50 [Ø0.217]  
IT IS PUNCHING THREAD HOLE  
FOR FITTING #1/4-20 SCREW  
[SEE NOTE 4]

2-Ø4.00 [Ø0.157] HOLE

This data sheet is for reference only .GARVIN INDUSTRIES reserves the right to make changes to the design without prior notice.

DESCRIPTION
TRADE REFERENCE TERMS

STANDARD PACKING	GARVIN INDUSTRIES		
	TITLE J-HOOKS		
	SIZE A4	DWG NO. JHK-12-BC1	REV A
	DATA SHEET		
	www.garvinindustries.com		