

SCHOOLHOUSE

Cylinder Single

Application: Surface Mount

Product Origin: Processed and assembled in Portland, Oregon using ethically-sourced domestic and global components.

UL Listed: Yes

Max Wattage: 100 W

Voltage: 120/220V

Location Rating: Damp

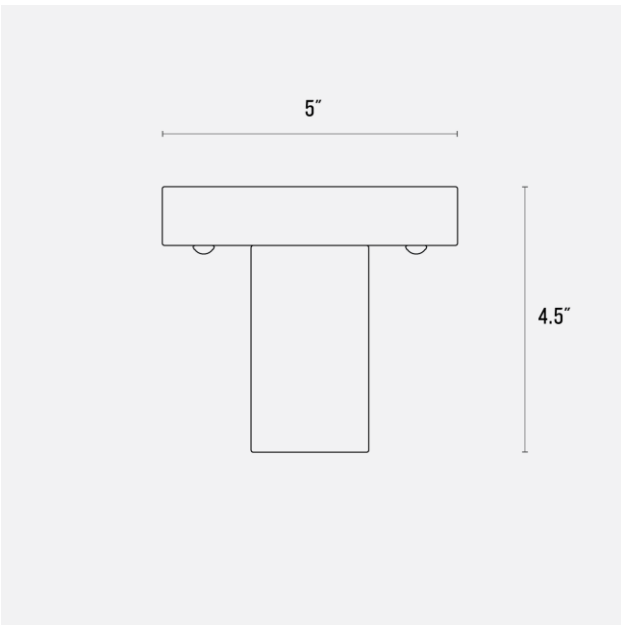
Dimensions:

Diameter: 5"

Projection: 4.5"

Materials: Brass or Steel (Colors)

One year guarantee



Finish Options



Natural Brass
(NB)



Polished Nickel
(PN)



White
(WT)



Butterscotch
(BU)



Satin Black
(BK)