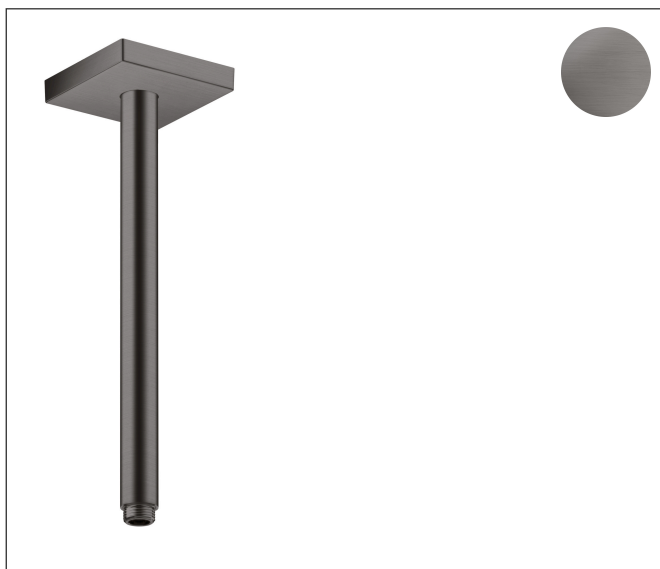


Brand	AXOR
Art. Name	<b>AXOR ShowerSolutions</b> Extension Pipe for Ceiling Mount, Square- 12"
Art. Nr.	26438341
Surface	brushed black chrome
Pos.	1

## Product Picture



## Features

- Length: 300 mm
- Brass
- Connection type: 1/2" NPT
- Ceiling connector, Escutcheon, Mounting Material, Assembly instructions

## Drawing

