

AST-SLDK-48"-72"

Shower Enclosure Installation Guide

Astro Square Slider
Shower Hardware Kit

FUTUREGLASS



Included in your purchase Shipped in 2 separate boxes

- | | | |
|-------------------------------------|--|---|
| A Slider Panel Edge Strip | G Fixed Panel Floor Clip, Screw & Wall Anchor | K Floor Bracket & Screw |
| B Slider Panel Weather Strip | H Fixed Panel Brackets | L Slider Panel Rollers |
| C Fixed Panel Weather Strip | I Shower Rod Brackets, Screws & Wall Anchors | M Roller Guides |
| D Shower Rod | J Slider Panel Stoppers | N Aluminum Floor Strip Cap |
| E Aluminum Floor Strip | | O Roller Adjustment Tool |
| F Slider Panel Handle | | P Rubber Block set (various sizes) |

Thank you for your purchase.

If for any reason you are having trouble with installation, or if the size of the product does not fit your designated space, please contact Future Glass directly.

Future Glass takes pride in providing quality products and customer service. We want to ensure your happiness with your purchase for years to come.

If you have any questions, please do not hesitate to reach out to us. Thank you again for choosing Future Glass!

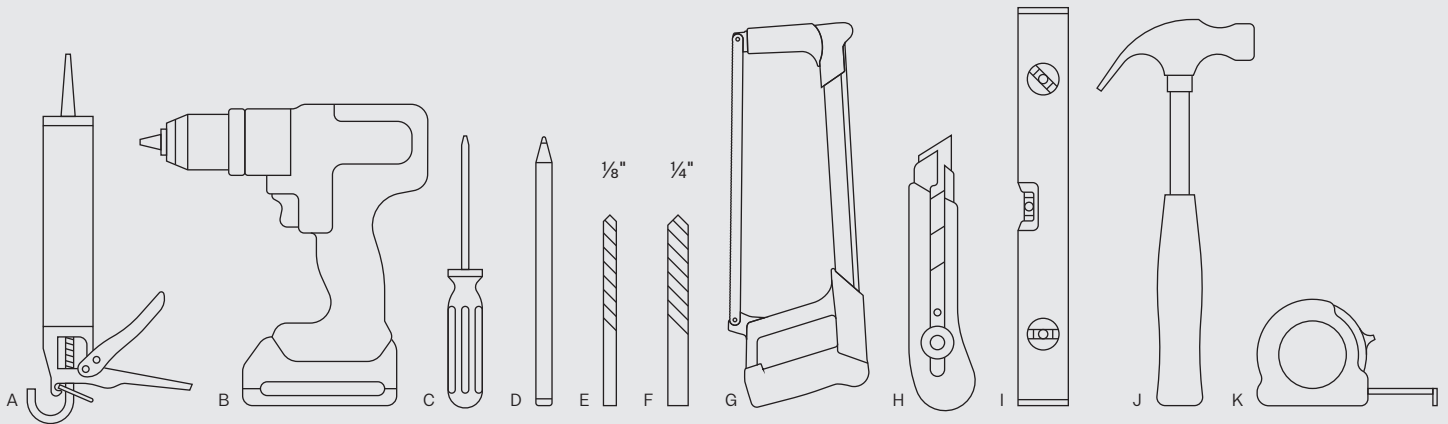
Best Regards,

The Team at Future Glass
(760) 203 6255
info@futureglass.us

Caution: Prohibited Products *Note these may damage the treatment and void any warranty

- Avoid the use of any abrasives or polishes including water spot removers, toothpaste, polishes, rough, or gritty substances
- Avoid the use of acids or alkalis that you would not want in contact with your skin for an extended period of time
- Avoid products such as Comet, Ajax, Jiff or Cerium Oxide which polish back the actual substrate
- Avoid the use of any harsh or chemical cleaners, with correct maintenance these are never required

Installation Guide



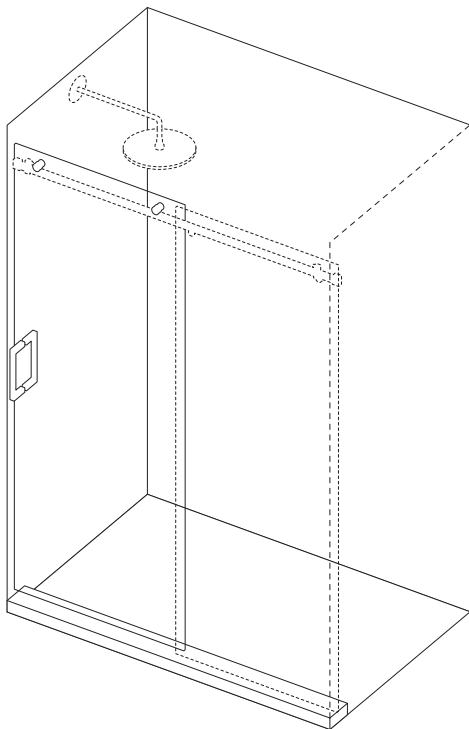
Tools required for install.

- | | |
|------------------------------------|------------------------|
| A Silicone and caulking gun | G Hacksaw |
| B Power drill | H Utility knife |
| C Phillips head screwdriver | I Level |
| D Pencil | J Hammer |
| E 1/8" tile drill bit | K Tape measure |
| F 1/4" tile drill bit | |

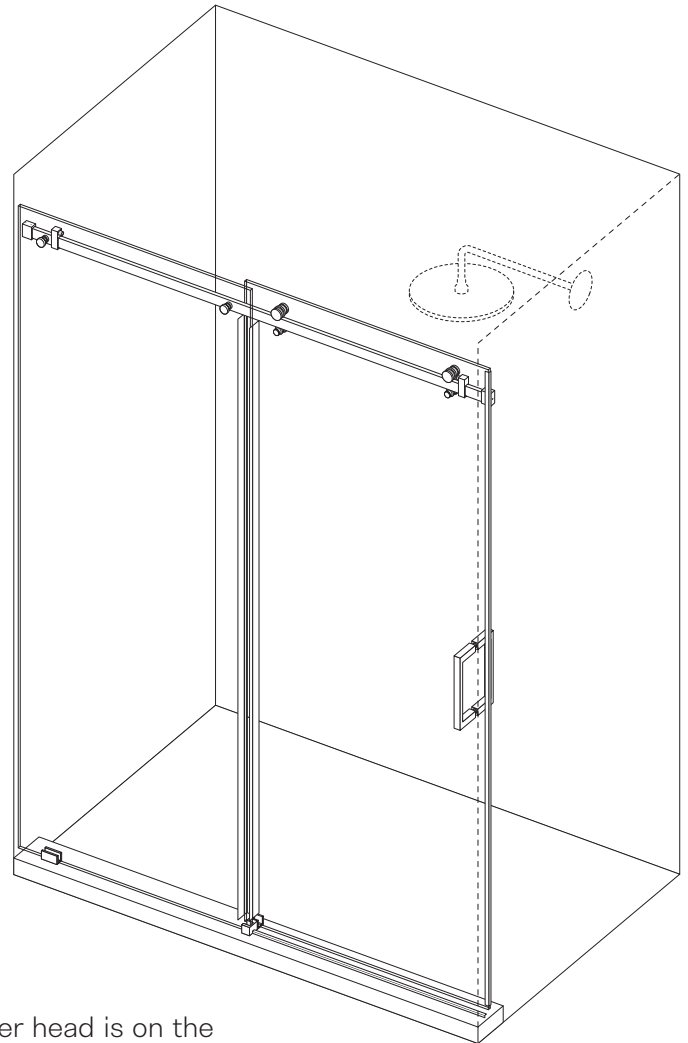
Note: Silicone is not provided and will need to be purchased separately. We recommend using a clear, mold resistant silicone which can be purchased at your local hardware store.

Before You Start

- Confirm that you have the correct model size. See table below to insure that the model you received will fit your shower opening.
- Choose which side of your shower to install the Slider Panel (Sliding Door): Future Glass highly recommends installing the sliding shower door on the same side as your shower head. This will help to prevent water leaking from the gap between the two glass panels.



If your shower head is on the left, the Slider Panel should be installed on the left side.



If your shower head is on the right, the Slider Panel should be installed on the right side.

Confirm you have the correct model size.

Model numbers and corresponding size range:

AST-SLDK48 = 44" - 48"

AST-SLDK52 = 48" - 52"

AST-SLDK56 = 52" - 56"

AST-SLDK60 = 56" - 60"

AST-SLDK64 = 60" - 64"

AST-SLDK68 = 64" - 68"

AST-SLDK72 = 68" - 72"

Glass Fabrication

If fabricating custom glass for the Astro Square Slider Shower Hardware Kit, please use the specs below for the Sliding Door Panels.

Astro Square Slider Kits 48" - 60" Door Panel Dimensions

- Designed for Use With $\frac{5}{16}$ " (8 mm) Monolithic Tempered Glass
- Do not use Laminated Glass.
- Maximum Recommended Glass Panel weight: 90 lbs.

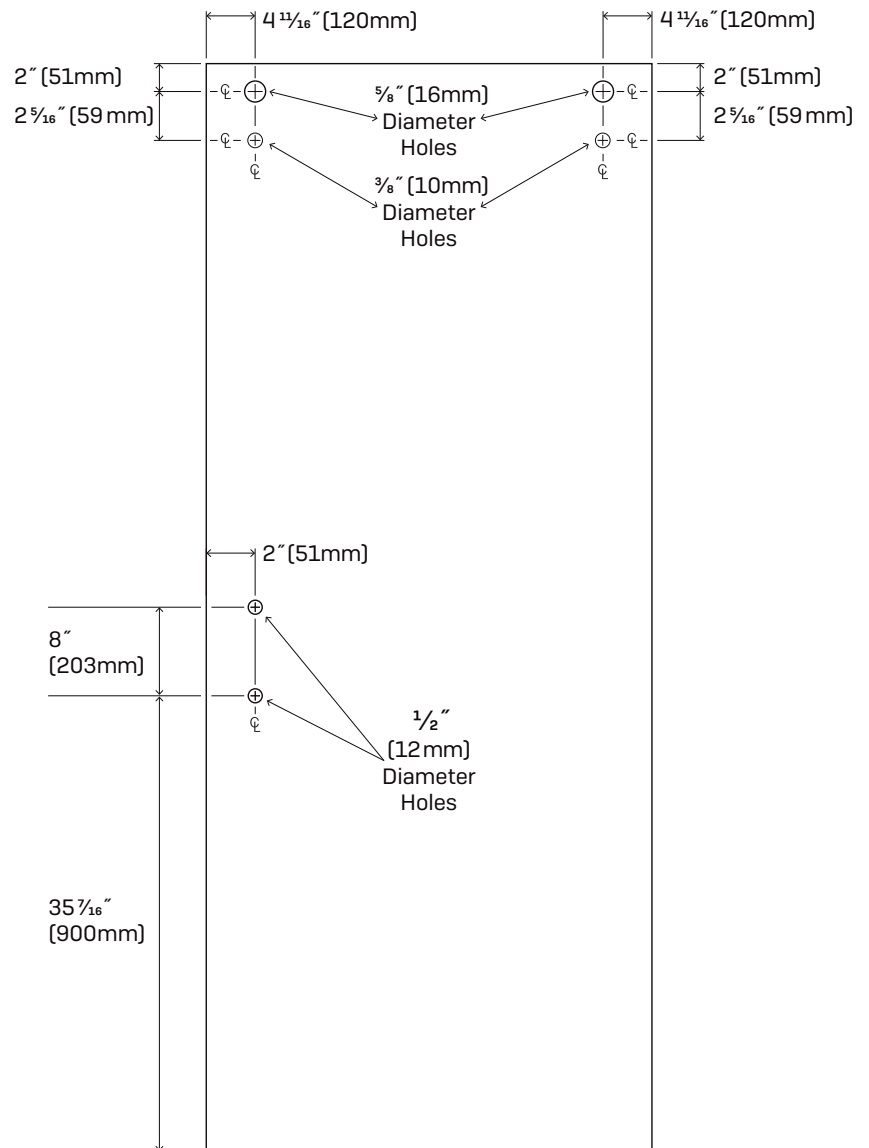
Sliding Shower Door Widths:

PRODUCT SKU	DOOR WIDTH
AST-SLDK-48	25 $\frac{1}{2}$ " [648mm]
AST-SLDK-52	27 $\frac{1}{2}$ " [699mm]
AST-SLDK-56	29 $\frac{1}{2}$ " [749mm]
AST-SLDK-60	31 $\frac{1}{2}$ " [800mm]

Sliding Shower Door Height:

Overall Height minus $\frac{1}{4}$ " [6mm]

Important: Drawing not shown to scale. Shower Rod is cut 1" (25mm) less than Opening Width. Use wall-to-wall tight dimension. Overall Height is height from threshold/floor to top of glass.



*Diagram Not to Scale

Astro Square Slider Kits 64" - 72" Door Panel Dimensions

- Designed for Use With $\frac{5}{16}$ " (8 mm) Monolithic Tempered Glass
- Do not use Laminated Glass.
- Maximum Recommended Glass Panel weight: 90 lbs.

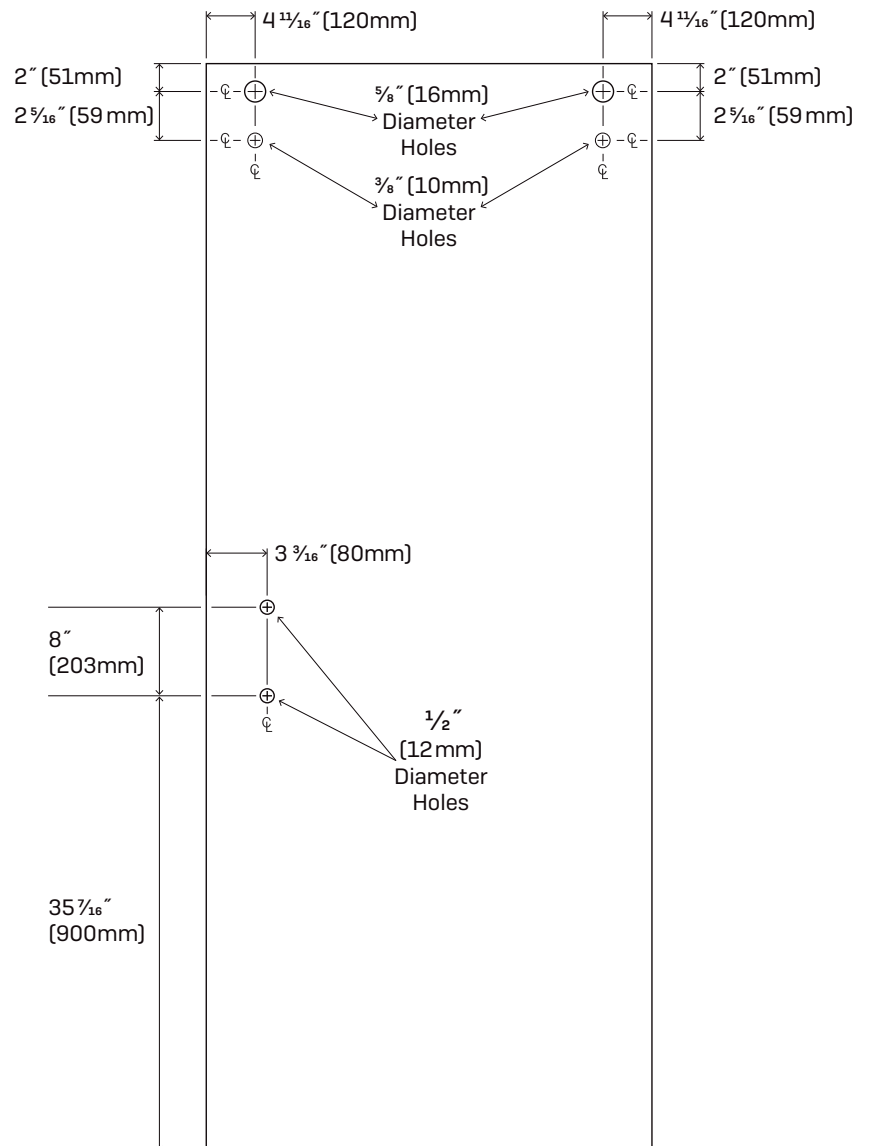
Sliding Shower Door Widths:

PRODUCT SKU	DOOR WIDTH
AST-SLDK-64	33 $\frac{1}{2}$ " [851mm]
AST-SLDK-68	35 $\frac{1}{2}$ " [902mm]
AST-SLDK-72	37 $\frac{1}{2}$ " [953mm]

Sliding Shower Door Height:

Overall Height minus $\frac{1}{4}$ " [6mm]

Important: Drawing not shown to scale. Shower Rod is cut 1" (25mm) less than Opening Width. Use wall-to-wall tight dimension. Overall Height is height from threshold/floor to top of glass.



*Diagram Not to Scale

Glass Fabrication

If fabricating custom glass for the Astro Square Slider Shower Hardware Kit, please use the specs below for the Fixed Panel.

Astro Square Slider Kits 48" - 72" Fixed Panel Dimensions

- Designed for Use With $\frac{5}{16}$ " (8 mm) Monolithic Tempered Glass
- Do not use Laminated Glass.
- Maximum Recommended Glass Panel weight: 90 lbs.

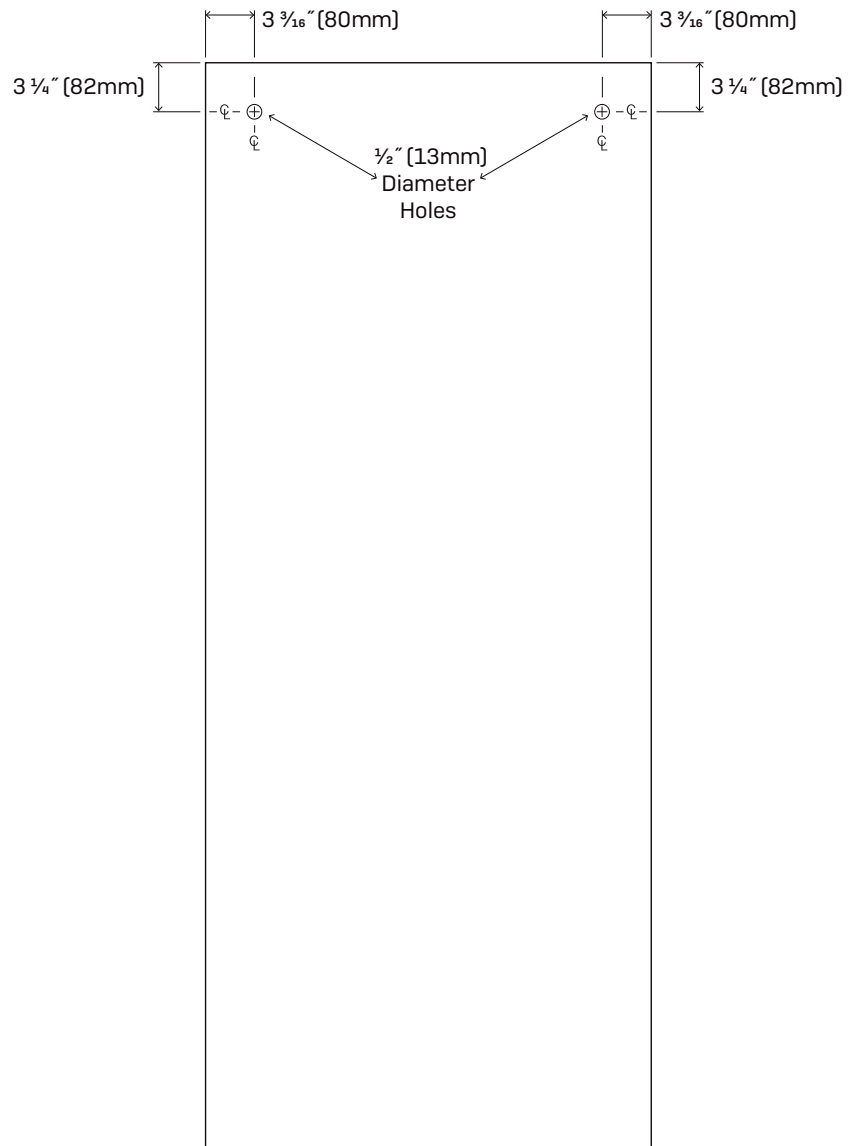
Shower Fixed Panel Widths:

PRODUCT SKU	PANEL WIDTH
AST-SLDK-48	24" [610 mm]
AST-SLDK-52	26" [660 mm]
AST-SLDK-56	28" [711 mm]
AST-SLDK-60	30" [762 mm]
AST-SLDK-64	32" [813 mm]
AST-SLDK-68	34" [864 mm]
AST-SLDK-72	36" [914 mm]

Shower Fixed Panel Height:

Overall Height

Important: Drawing not shown to scale. Shower Rod is cut 1" (25mm) less than Opening Width. Use wall-to-wall tight dimension. Overall Height is height from threshold/floor to top of glass.



*Diagram Not to Scale

Future Glass Tempered Glass Panels

Future Glass stocks glass panels to fit all Astro Square Slider Shower Hardware Kits.

Please see tables below for panel sizing and component skus. The numeric value in the skus relates to the numeric values in the Astro Square Slider Shower Hardware Kit skus. For example: If you are purchasing an AST-SLDK-48 Hardware Kit, you would need a Door Panel (SQ-SL-D-48) and a Fixed Panel (SQ-SL-F-48) to complete your project. To view the complete collection, visit our website:

futureglass.us/collections/glass-panels

Astro Square Slider Full Height Glass Panels

Shower Sliding Door skus:

PRODUCT SKU	DOOR WIDTH	DOOR HEIGHT
SQ-SLD-D-48	25 ½" (648mm)	77 ¾" (1974mm)
SQ-SLD-D-52	27 ½" (699mm)	77 ¾" (1974mm)
SQ-SLD-D-56	29 ½" (749mm)	77 ¾" (1974mm)
SQ-SLD-D-60	31 ½" (800mm)	77 ¾" (1974mm)
SQ-SLD-D-64	33 ½" (851mm)	77 ¾" (1974mm)
SQ-SLD-D-68	35 ½" (902mm)	77 ¾" (1974mm)
SQ-SLD-D-72	37 ½" (953mm)	77 ¾" (1974mm)

Shower Fixed Panel skus:

PRODUCT SKU	PANEL WIDTH	PANEL HEIGHT
SQ-SL-F-48	24" (610mm)	78" (1981mm)
SQ-SL-F-52	26" (660mm)	78" (1981mm)
SQ-SL-F-56	28" (711mm)	78" (1981mm)
SQ-SL-F-60	30" (762mm)	78" (1981mm)
SQ-SL-F-64	32" (813mm)	78" (1981mm)
SQ-SL-F-68	34" (864mm)	78" (1981mm)
SQ-SL-F-72	36" (914mm)	78" (1981mm)

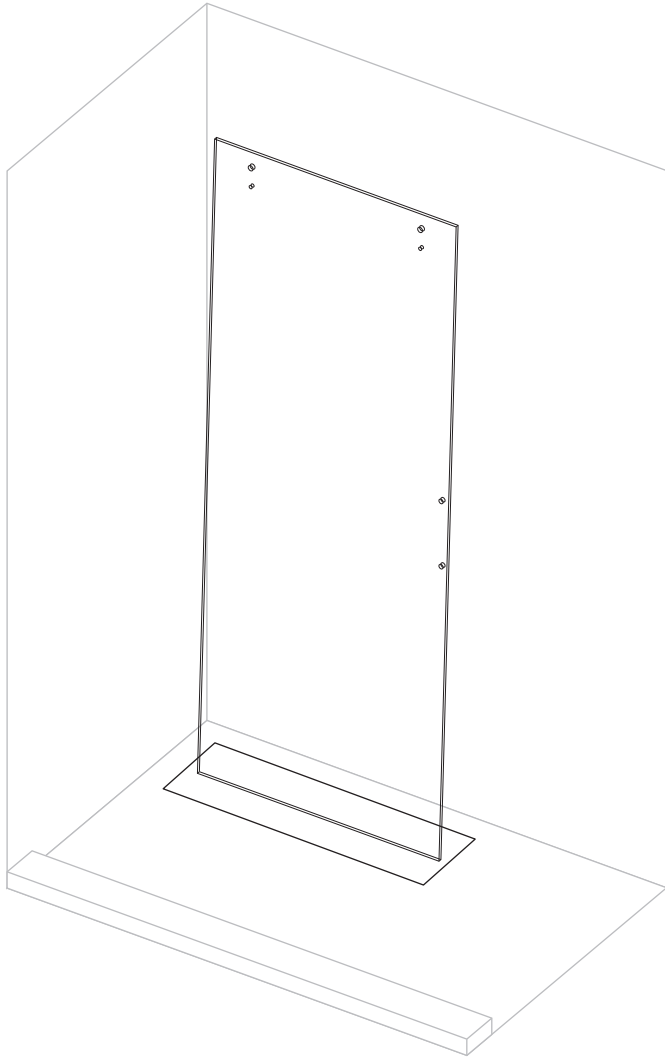
Astro Square Slider Bath Height Glass Panels

Bath Sliding Door skus:

PRODUCT SKU	DOOR WIDTH	DOOR HEIGHT
B-SQ-SL-D-56	29 ½" (749mm)	59 ¾" (1517mm)
B-SQ-SL-D-60	31 ½" (800mm)	59 ¾" (1517mm)
B-SQ-SL-D-72	37 ½" (953mm)	59 ¾" (1517mm)

Bath Fixed Panel skus:

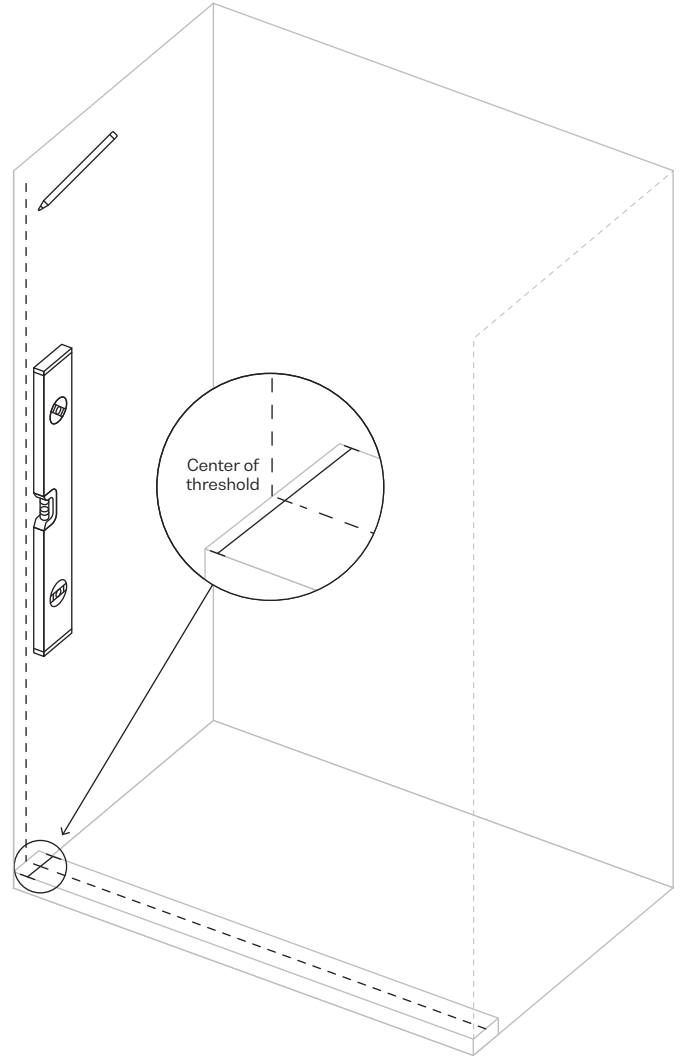
PRODUCT SKU	DOOR WIDTH	PANEL HEIGHT
B-SQ-SL-F-56	28" (711mm)	60" (1524mm)
B-SQ-SL-F-60	30" (762mm)	60" (1524mm)
B-SQ-SL-F-72	36" (914mm)	60" (1524mm)



01

Place Slider Panel inside shower.

Before starting the installation process, place the Slider Panel inside the shower on cardboard to protect the bottom of door. Be sure to face handle holes toward wall door closes to. This will make it easier for installation at a later stage once the Fixed Panel and Shower Rod have been set in place.



02

Mark the threshold and Fixed Panel wall.

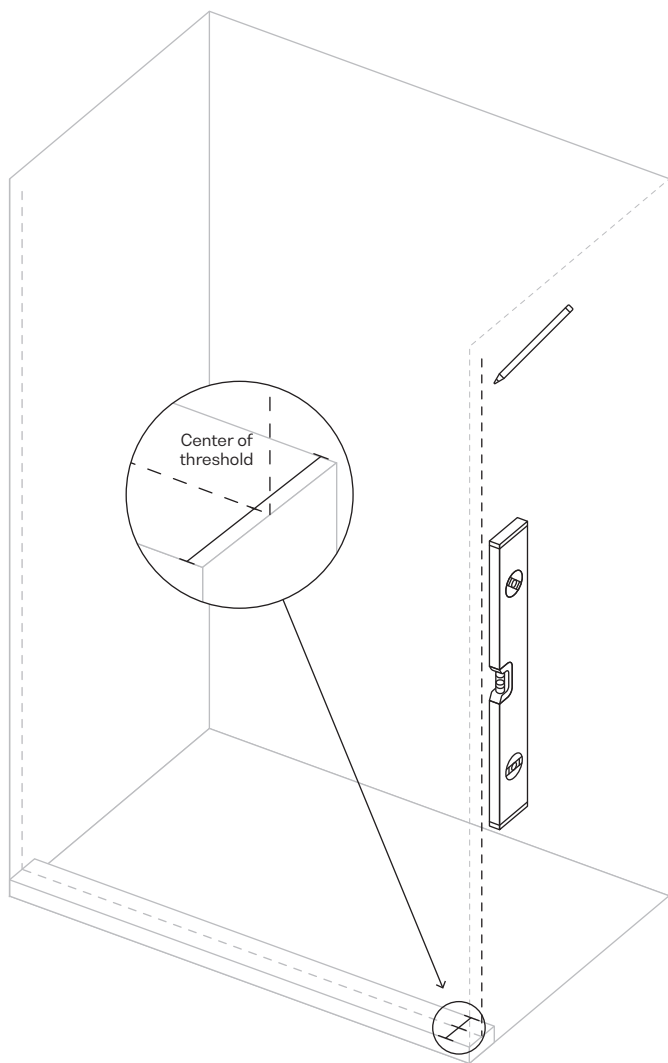
Measure the width of threshold tile where shower door is to be installed, this needs to be a minimum of 2" to install this model of shower enclosure. On the wall where the Fixed Panel is to be placed, measure to the center of the threshold tile and mark the wall with a pencil. Using a level, draw a line up the wall at this point.

Important: If installing an enclosure with fiberglass walls, a stud *must* be directly behind where the panel will be installed.



Tip: We recommend using a pencil so this can be easily removed.

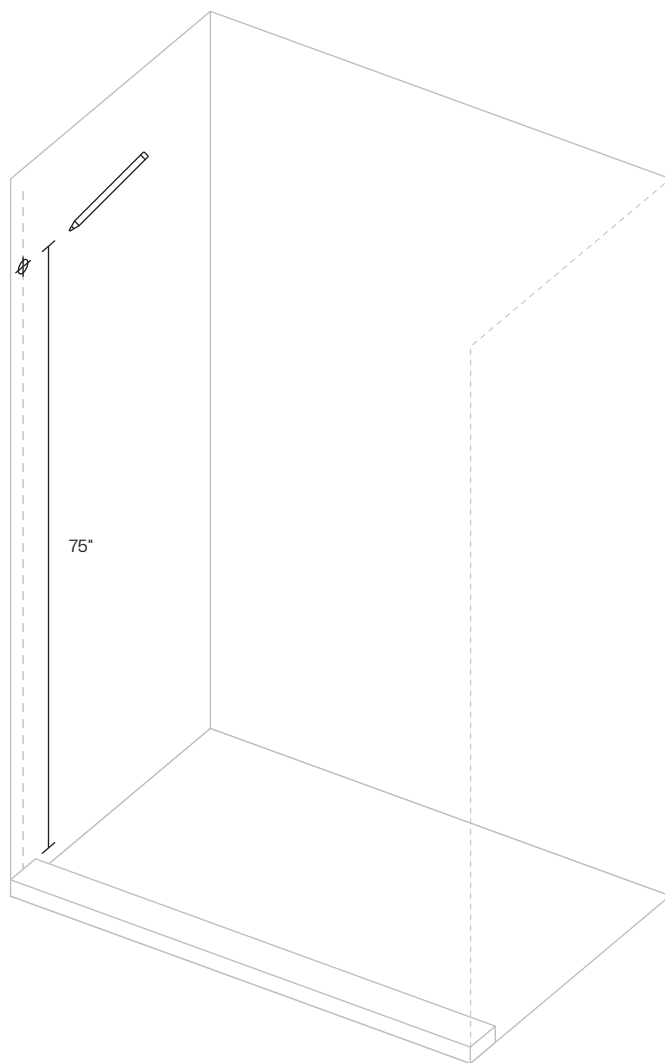




03

Mark the vertical line on Slider Panel wall.

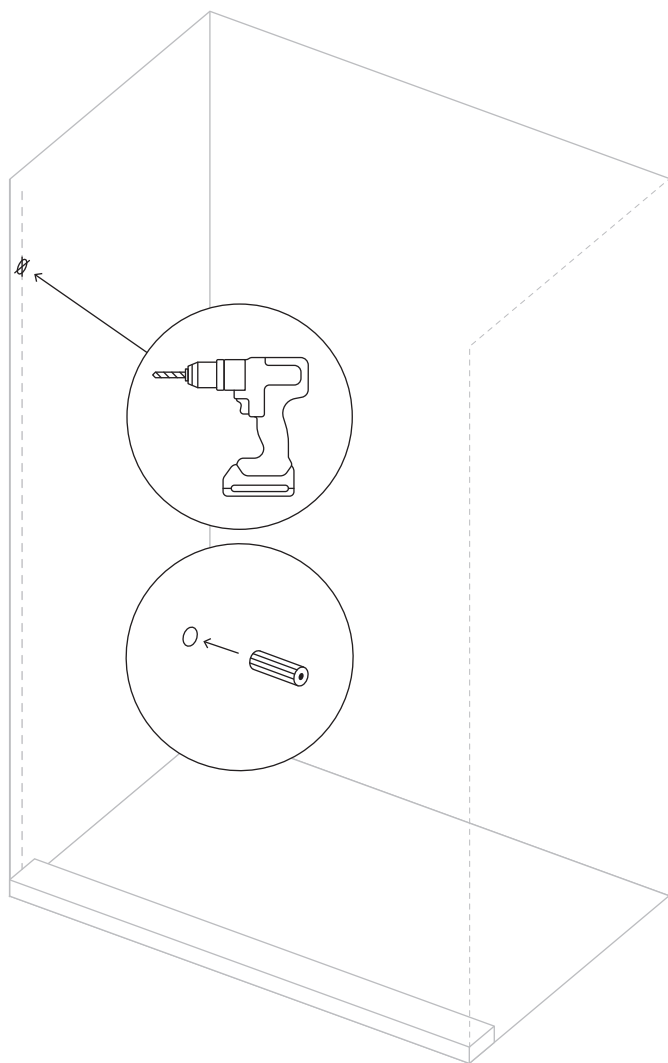
On the opposite wall where the Slider Panel will close towards, measure to the center of the threshold tile and draw a vertical line using a level. This line will be a guide to install the Shower Rod



04

Mark the hole to drill on Fixed Panel wall.

Along the drawn level line, mark 75" from threshold.

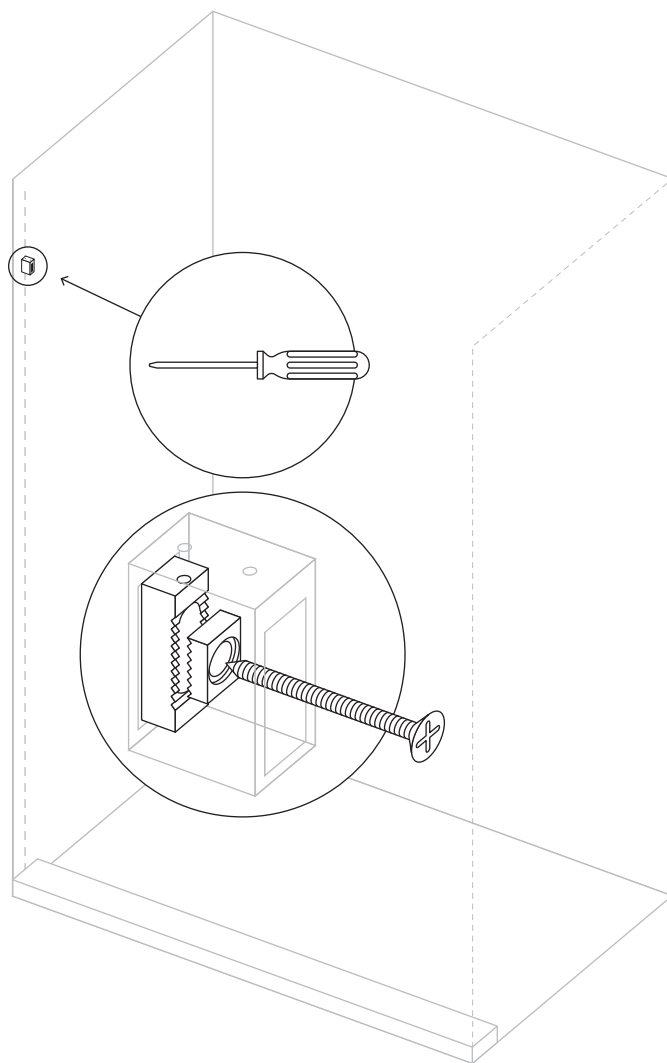


05

Drill the hole for the first Shower Rod Bracket.

Using a ¼" drill bit, drill a hole and install the Wall Anchor. Trim excess from the Wall Anchor hanging out of hole with utility knife so Bracket sits flush to wall.

If the shower wall is fiberglass, use a ⅜" drill bit. You will not use the green Anchor but rather screw the Shower Rod Bracket directly into the fiberglass shower wall.



06

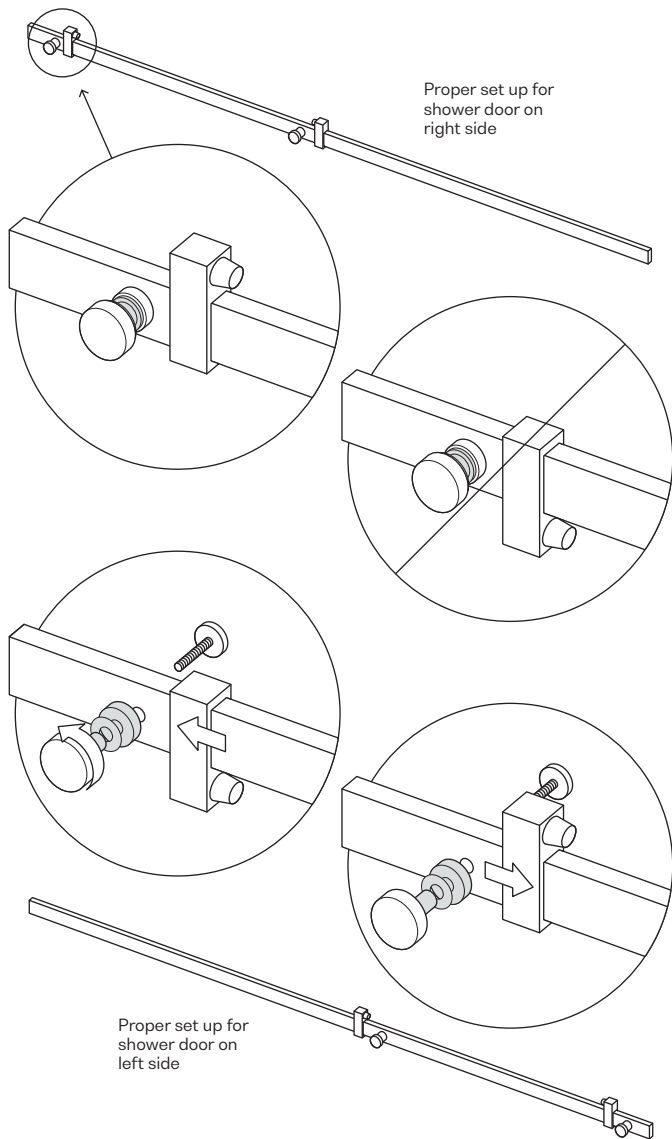
Install first Shower Rod Bracket.

Place Shower Rod Bracket over hole and drill screws into Wall Anchor to secure Bracket. Make sure the two interior Bracket pieces are centered on each other when installing on wall, this will allow adjustment up or down at a later stage if required. Be sure it is securely tightened.

Important: If installing an enclosure with fiberglass walls, a stud *must* be directly behind where the panel will be installed.

A ⅜" tile drill bit can be used to create pilot holes for a tiled enclosure, but this is optional.



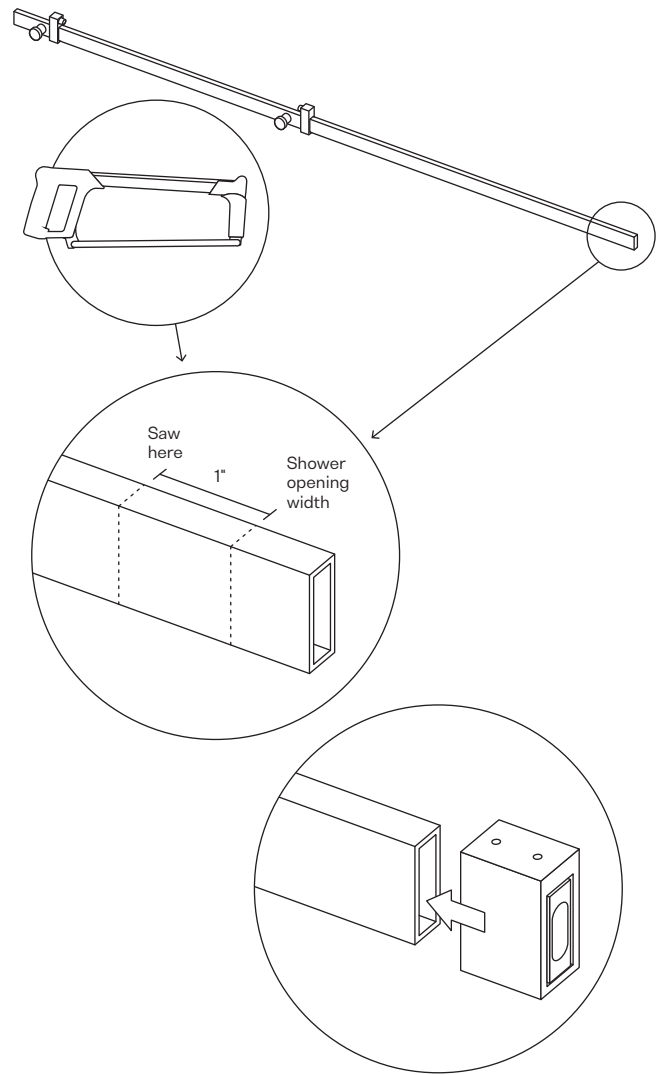


07

Configure Shower Rod direction and Stoppers.

If the Stoppers are upside down and underneath the Rod, you will need to flip them over. Remove the Fixed Panel Bracket nearest to the end of the Rod using allen key included. Loosen and remove the Stopper closest to it then flip Stopper over and slide it back onto rod and tighten. Return Fixed Panel Bracket to original position.

At the far end of the Rod, simply remove the Stopper, flip it over and slide it back onto the Rod and tighten allen screws.



08

Measure and cut Shower Rod.

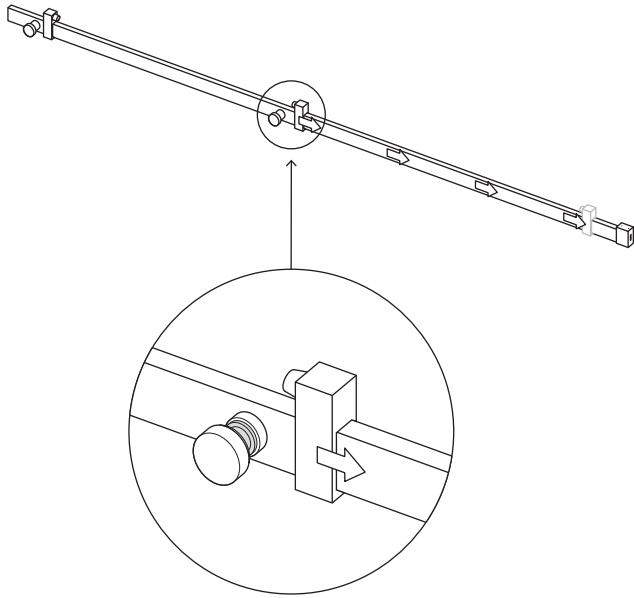
Important: You must cut rod at opposite end from the Fixed Panel Brackets.



Measure your opening width. Subtract 1" from this measurement and then measure out this distance on the Shower Rod. For example: If your opening measurement is 47" your rod length should be 46". Use a hacksaw and cut your Shower Rod to the correct length.

Model numbers and corresponding size range:

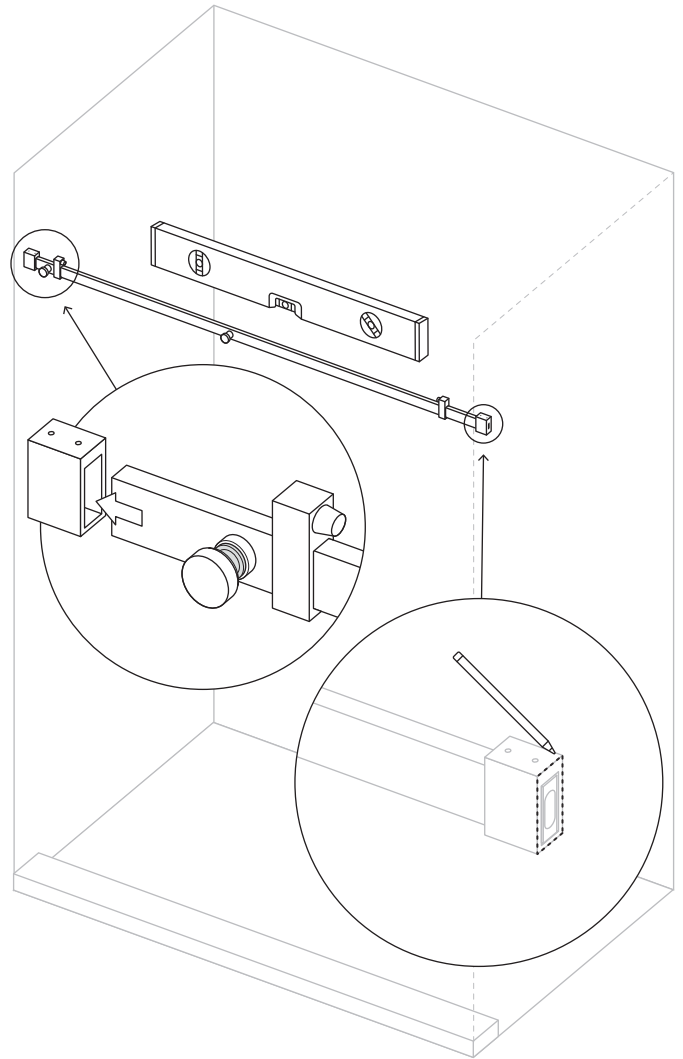
AST-SLDK48 = 44" - 48"	AST-SLDK64 = 60" - 64"
AST-SLDK52 = 48" - 52"	AST-SLDK68 = 64" - 68"
AST-SLDK56 = 52" - 56"	AST-SLDK72 = 68" - 72"
AST-SLDK60 = 56" - 60"	



09

Move Slider Panel side Door Stopper over.

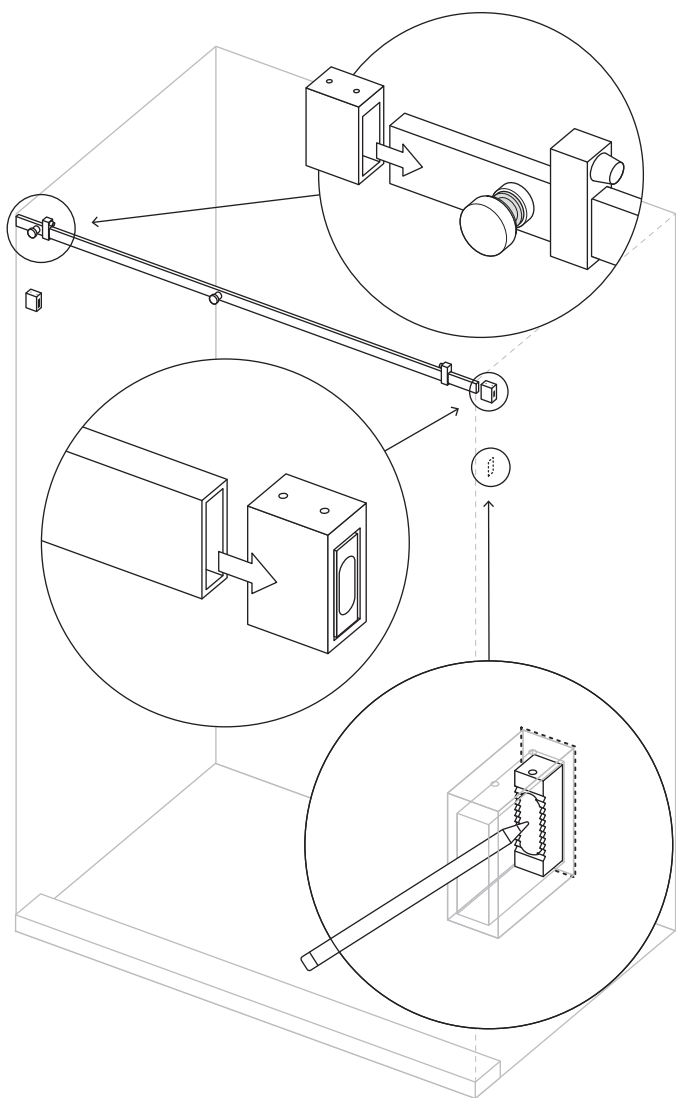
Slide Slider Panel side Door Stopper all the way over to other side to accommodate level in next step.



10

Level Shower Rod and mark Rod Bracket position.

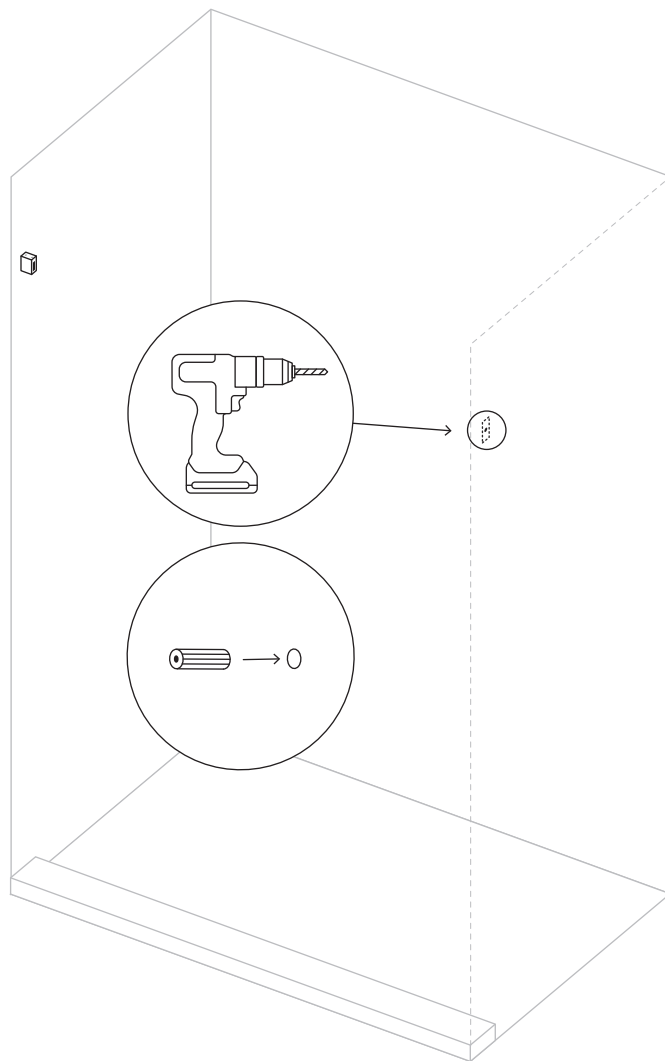
Slide Fixed Panel side of Shower Rod into first Shower Rod Bracket. Using a level, check Shower Rod is perfectly level from one wall to the other. Once in correct position mark the placement of the second Shower Rod Bracket on wall. Make sure wall bracket is centered over vertical line previously drawn on wall



11

Mark hole to drill for second Shower Rod Bracket.

Remove Shower Rod from first Bracket and remove second Shower Rod Bracket from Shower Rod and mark the hole to be drilled on wall.



12

Drill the hole for second Shower Rod Bracket.

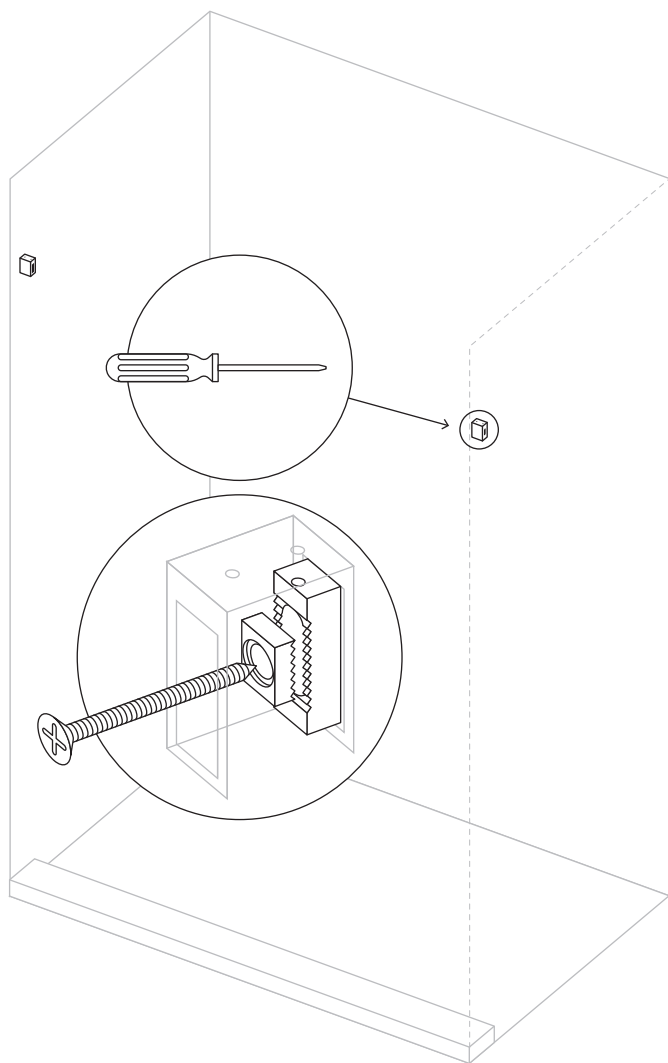
Using a 1/4" drill bit, drill a hole and install the Wall Anchor. Trim excess from the Wall Anchor hanging out of hole with utility knife so Bracket sits flush to wall.

If the shower wall is fiberglass, use a 1/8" drill bit. You will not use the green Anchor but rather screw the Shower Rod Bracket directly into the fiberglass shower wall.

Important: If installing an enclosure with fiberglass walls, a stud *must* be directly behind where the panel will be installed.

An 1/8" tile drill bit can be used to create pilot holes for a tiled enclosure, but this is optional.

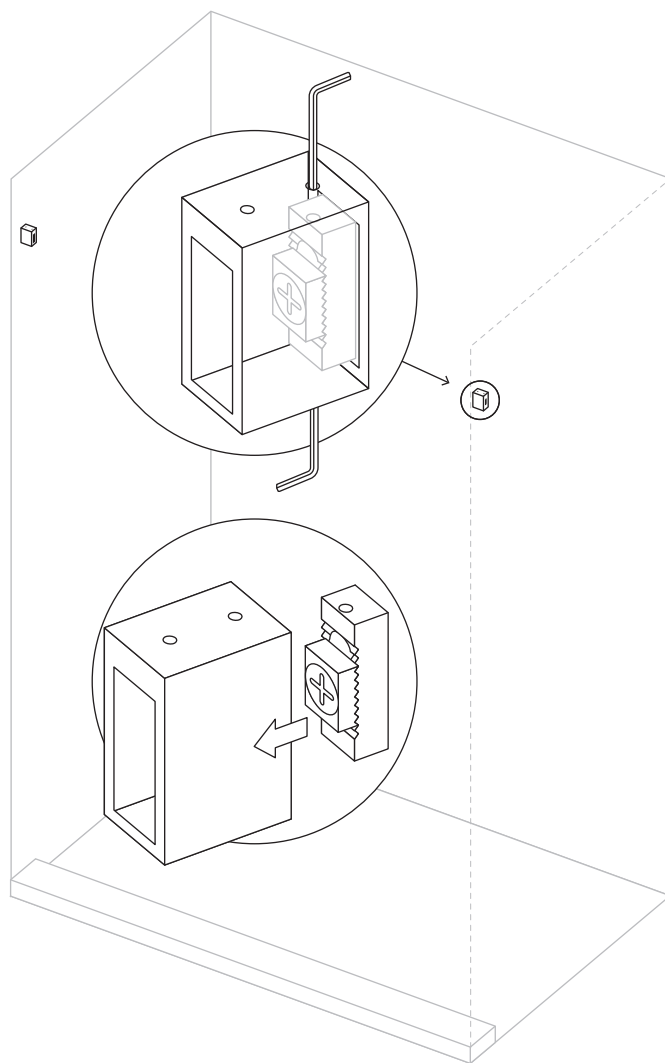




13

Install Shower Rod Bracket interior.

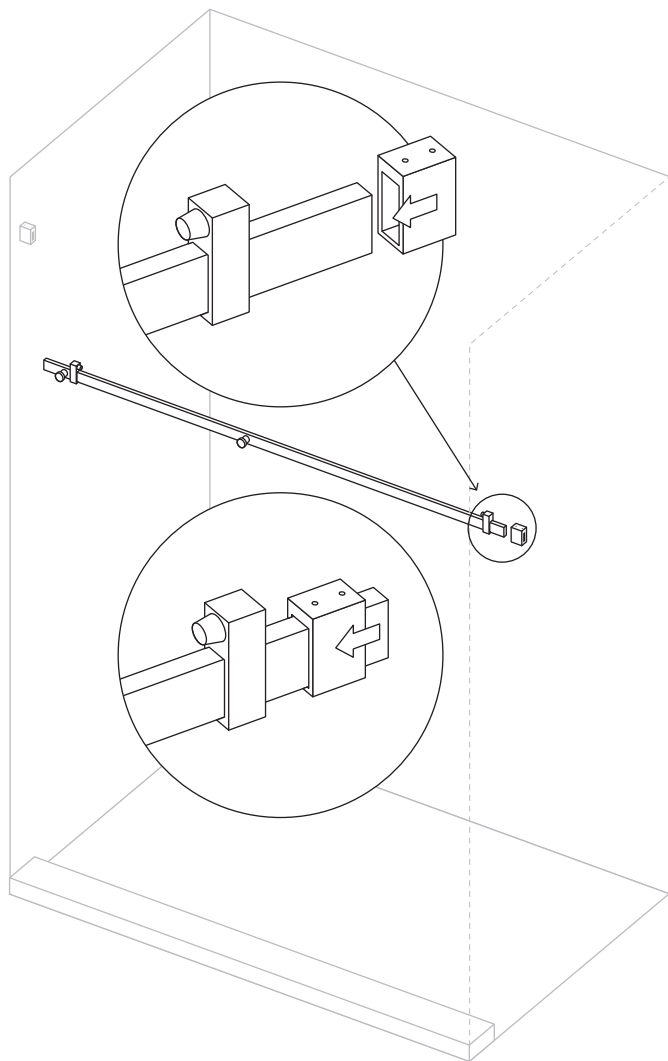
Screw in Shower Rod Bracket on Slider Panel side wall.



14

Remove Shower Rod Bracket from interior.

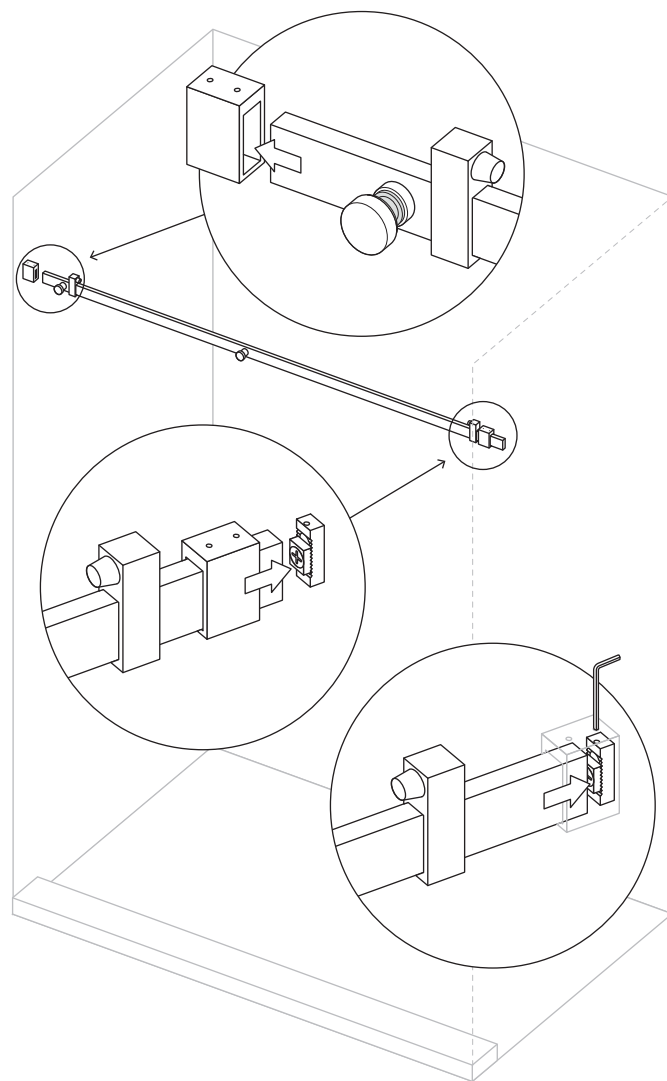
Use Allen key to loosen Shower Rod Bracket from Bracket interior. Slide Shower Rod Bracket off of Bracket interior.



15

Slide Shower Rod Bracket on to Shower Rod.

Slide second Shower Rod Bracket on to Shower Rod past the cut end.

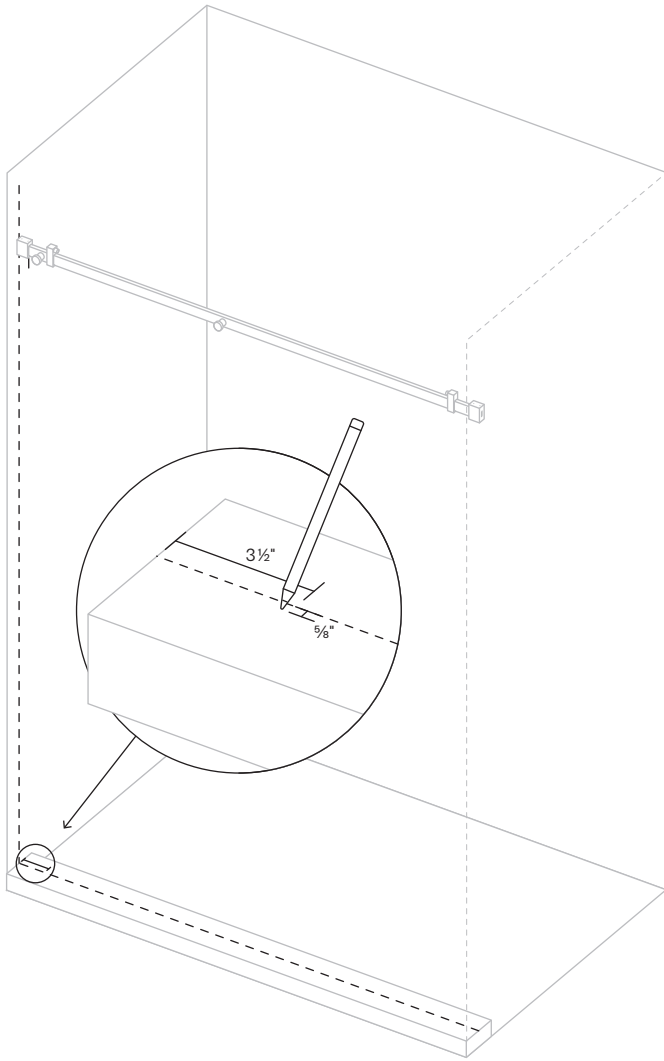


16

Install Shower Rod.

Slide Fixed Panel Side of Shower Rod into first Shower Rod Bracket. Align Shower Rod and slide second Shower Rod Bracket onto Bracket interior on wall. Re-check the Shower Rod is level and tighten all allen screws on both Shower Rod Brackets.

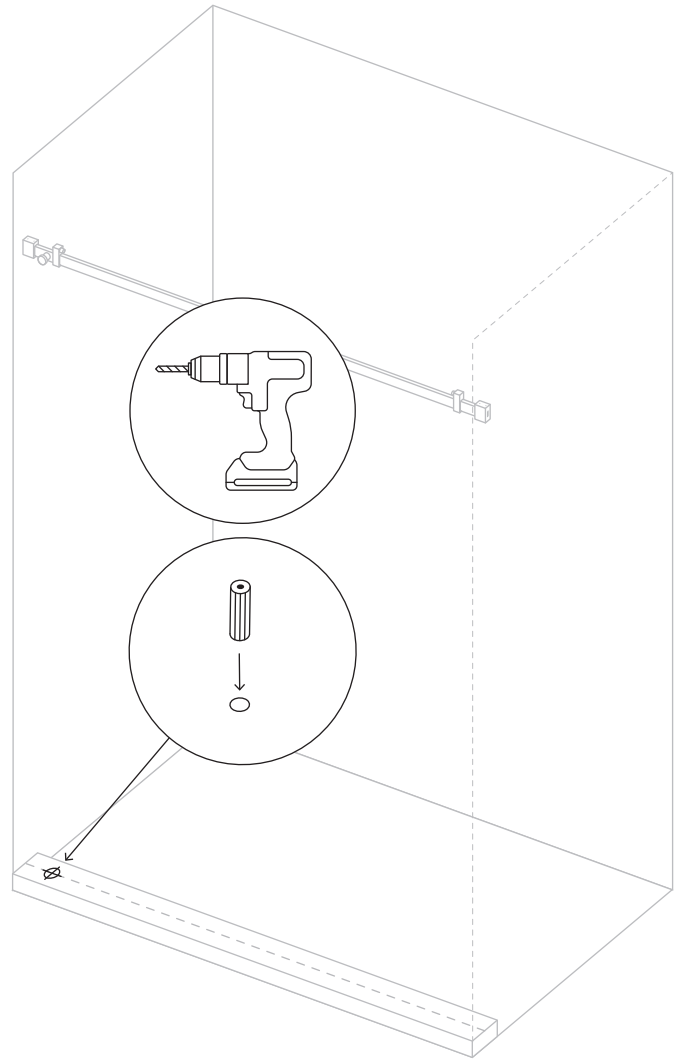
If Shower Rod is not level you can change the height up or down by adjusting the two interior pieces on one of the Shower Rod Brackets to make level.



17

Mark hole to drill for Fixed Panel Floor Clip.

On Fixed Panel Side of shower threshold, measure 3 1/2" from wall. Then measure 5/8" over towards outside of threshold from that point. Mark hole to drill for Fixed Panel Floor Clip.



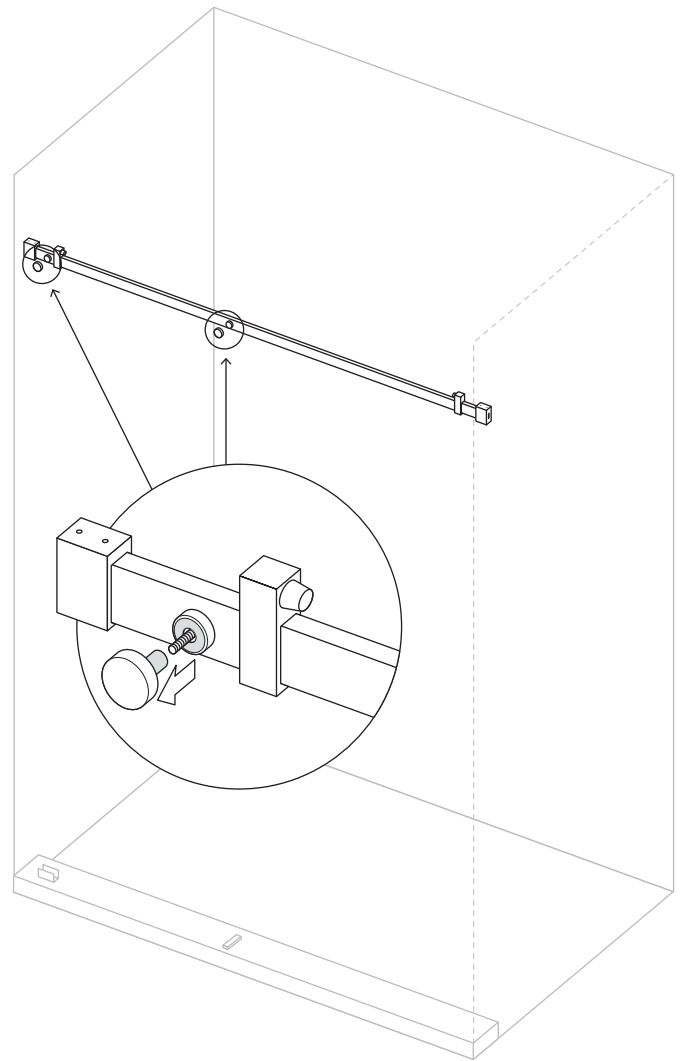
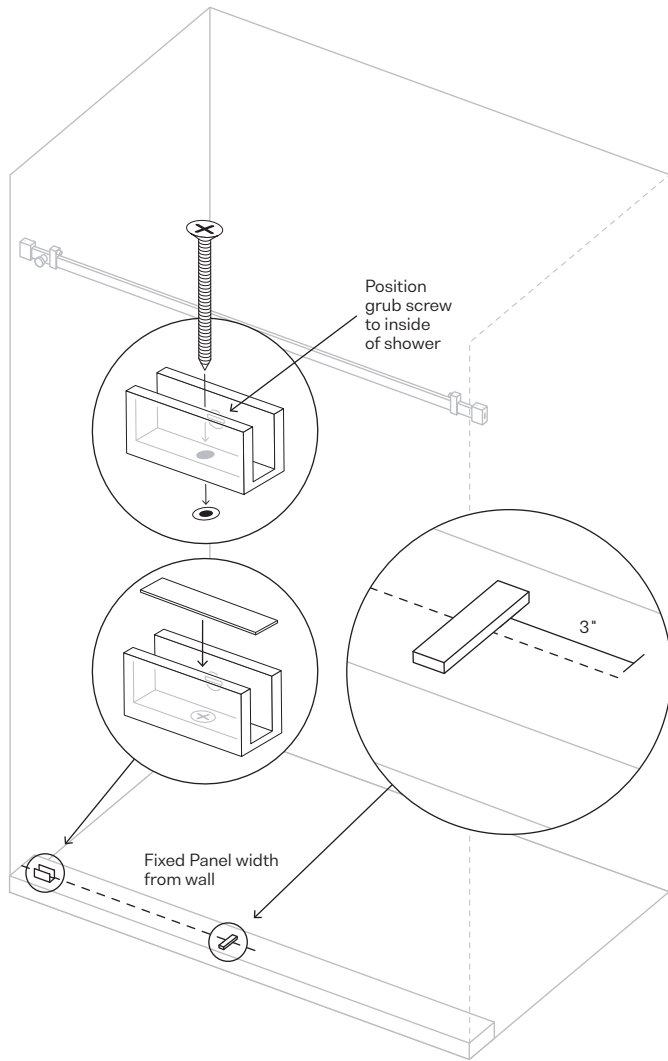
18

Drill hole for Fixed Panel Floor Clip.

Using a 1/4" drill bit, drill hole and install Anchor (see important message below). Trim excess from the Anchor with utility knife. Fill this hole with a little bit of silicone to waterproof before installing Fixed Panel Floor Clip.

Important: When fixing Fixed Panel Floor Clip to fiberglass shower base use a 1/8" drill bit to predrill the hole and screw directly into shower base. You will not use the Anchor.





19

Install Fixed Panel Floor Clip and Rubber Block.

Install Fixed Panel Floor Clip and place a $\frac{1}{8}$ " rubber block inside the clip to protect glass panel during installation. Measure the width of the Fixed Panel from the wall and place the $\frac{1}{8}$ " thick Rubber Blocks provided 3" in from the outside edge where the glass panel will sit on the tile or threshold.

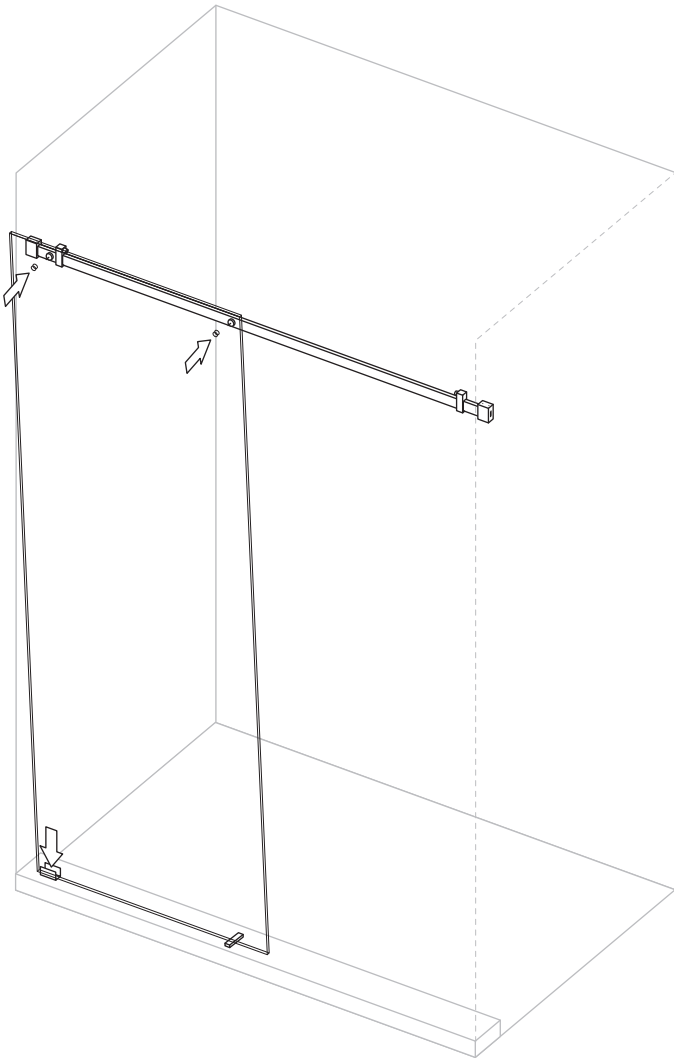
20

Unscrew Fixed Panel Brackets.

Unscrew Fixed Panel Brackets from front of Shower Rod.

Important: Grub screw in Clip must have rubber tip so it can contact glass panel without damage. Please contact us if grub screw is missing rubber tip.

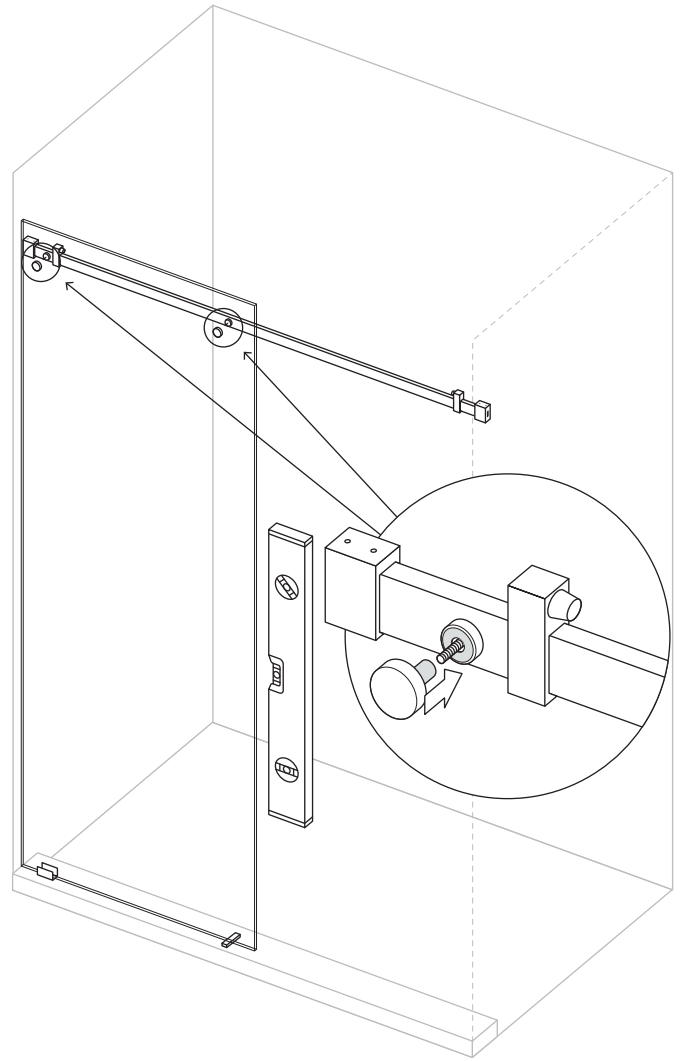




21

Set the Fixed Panel in place.

Gently slide the Fixed Panel down into the Fixed Panel Floor Clip and on to the Rubber Block. Line up the holes over Fixed Panel Brackets on the Shower Rod.



22

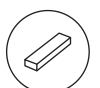
Align Fixed Panel and fasten Brackets.

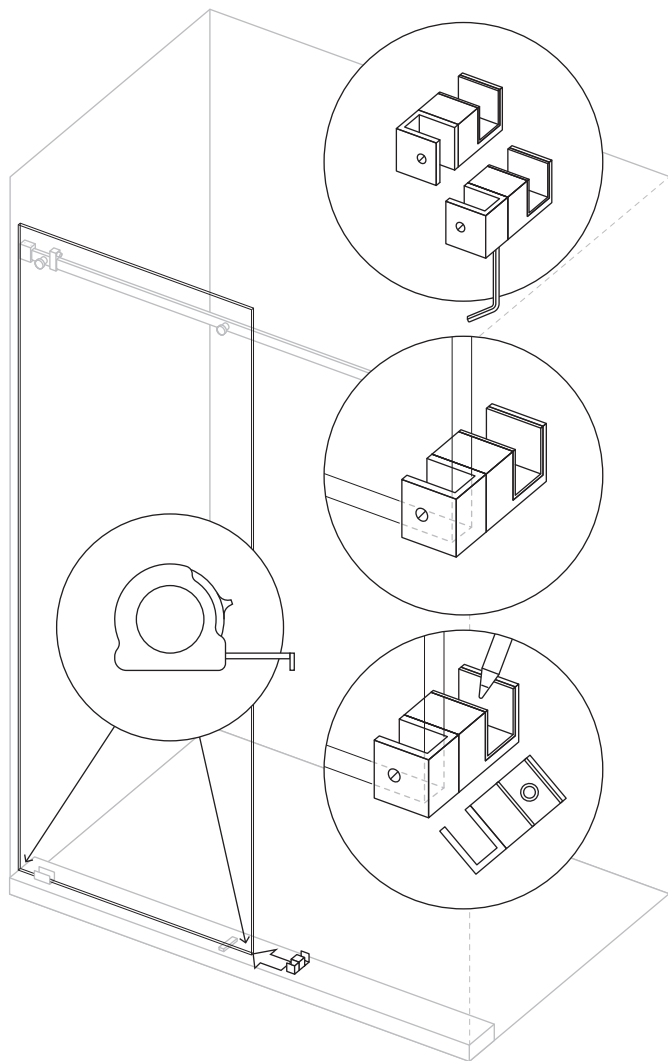
Check to make sure the glass is level. If not, adjust by adding thinner 1/16" Rubber Blocks to the blocks already on floor or in Fixed Panel Floor Clip. Once level, tighten the grub screws on the Fixed Panel Floor Clip and on the Fixed Panel Brackets on Shower Rod very tight.

Important: Be sure that tempered safety glass stamp on the Fixed Panel is positioned in corner closest to the wall. This way it is barely visible once installed.



Tip: Use additional Rubber Blocks on either existing blocks to raise/drop the fixed panel if required.

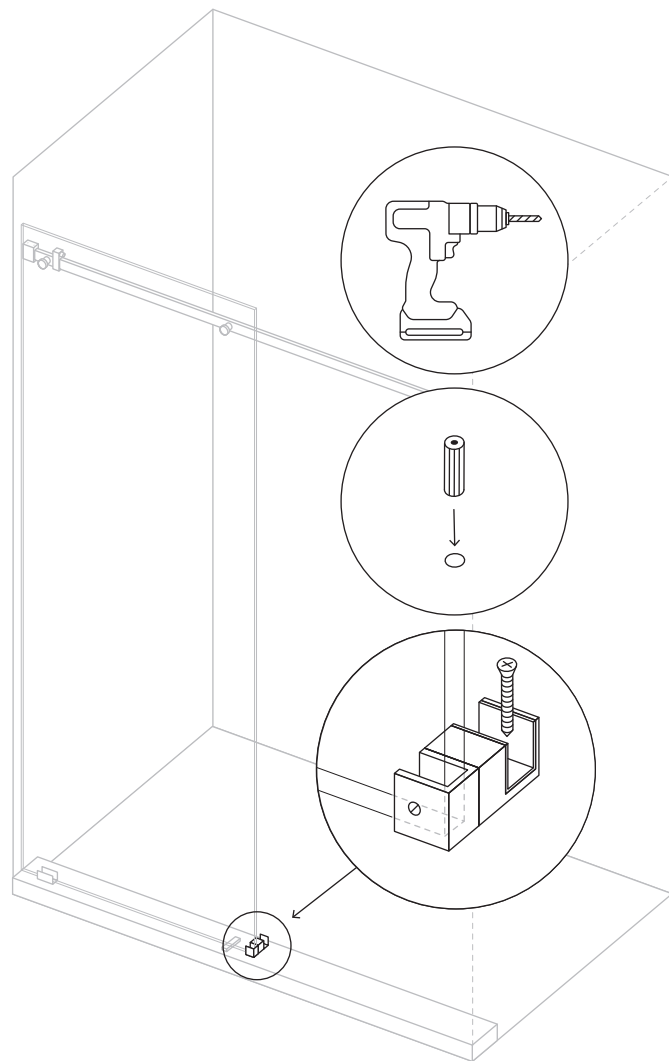




23

Set Fixed Panel into Floor Bracket and mark hole.

Make sure both of the bottom corners of the Fixed Panel measure the same distance from the front of the threshold tile (or fiberglass pan). Loosen allen screw on bottom of Floor Bracket and rotate adjustable end which fits on Fixed Panel for either left or right installation. Mark hole to drill for Floor Bracket. Remove Floor Bracket before drilling.



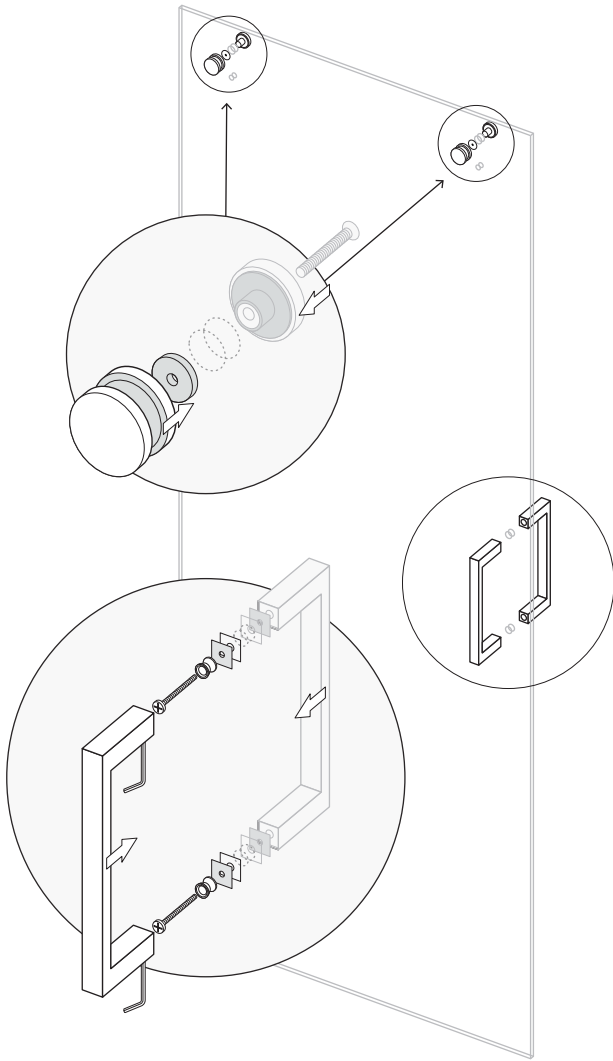
24

Install Floor Bracket.

Using a 1/4" drill bit, drill hole and install Floor Anchor (see important message below). Trim excess from the Floor Anchor with utility knife. Fill this hole with a little bit of silicone to waterproof. Reinstall Floor Bracket, making sure that the plastic insert is in place inside Floor Bracket. Screw Floor Bracket down to secure.

Important: When fixing Floor Clamp to fiberglass shower base use a 1/8" drill bit to predrill the hole and screw directly into shower base. You will not use the green anchor on shower base.




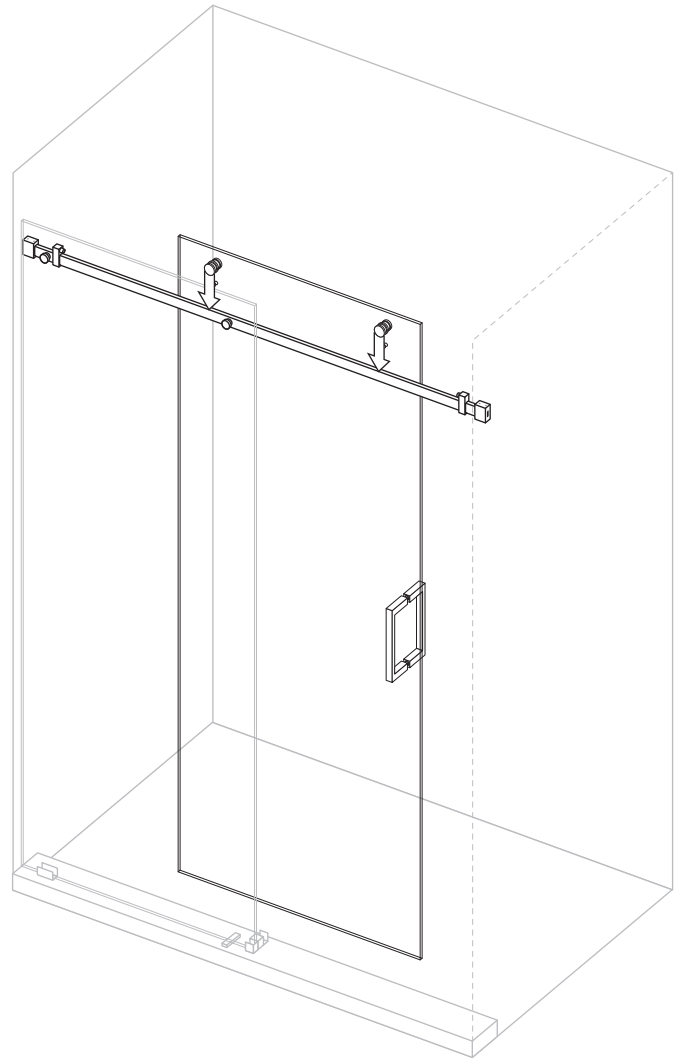


25

Install Sliding Panel Rollers and Handle.

Carefully install the Slider Panel Rollers. Then install the Slider Panel Handle on the Slider Panel. Be sure that Slider Panel is sitting on folded cardboard to avoid cracking or chipping.


Important: Make sure all components on handle and rollers are securely tightened. 

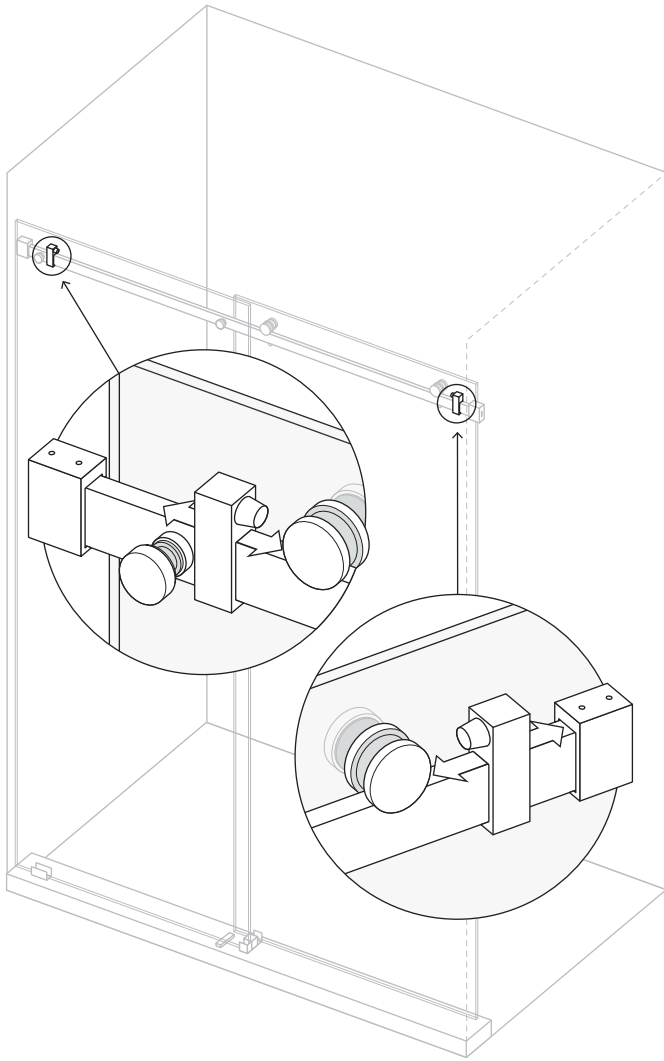


26

Install the Slider Panel.

Lift the door and slowly lower the Rollers onto the Shower Rod. When lowering the Panel be sure the bottom of the Slider Panel slides into the floor bracket.

Important: Gently slide door from side to side making sure it is not binding anywhere along the bottom. Check the door is level and lines up evenly with the wall. 



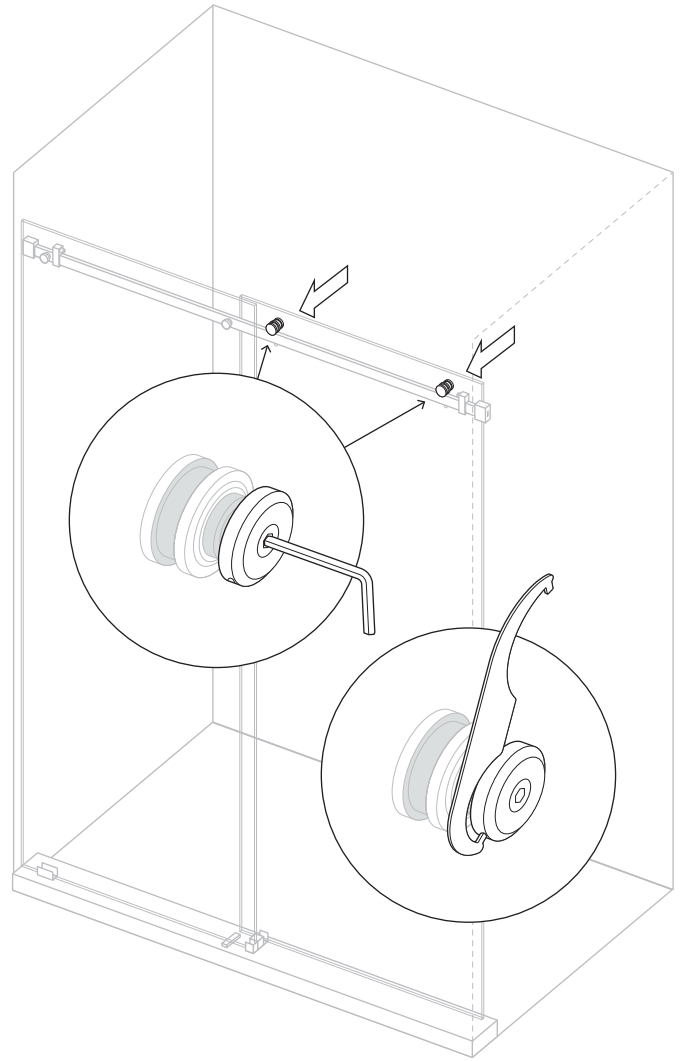
27

Adjust Slider Panel Stoppers.

Important: Slide door gently when testing door stops so as not to damage the door or the fixed panel.



Adjust location of Slider Stoppers on Shower Rod to ensure the Slider Panel does not hit the wall and the Slider Panel Handle does not touch the Fixed Panel.



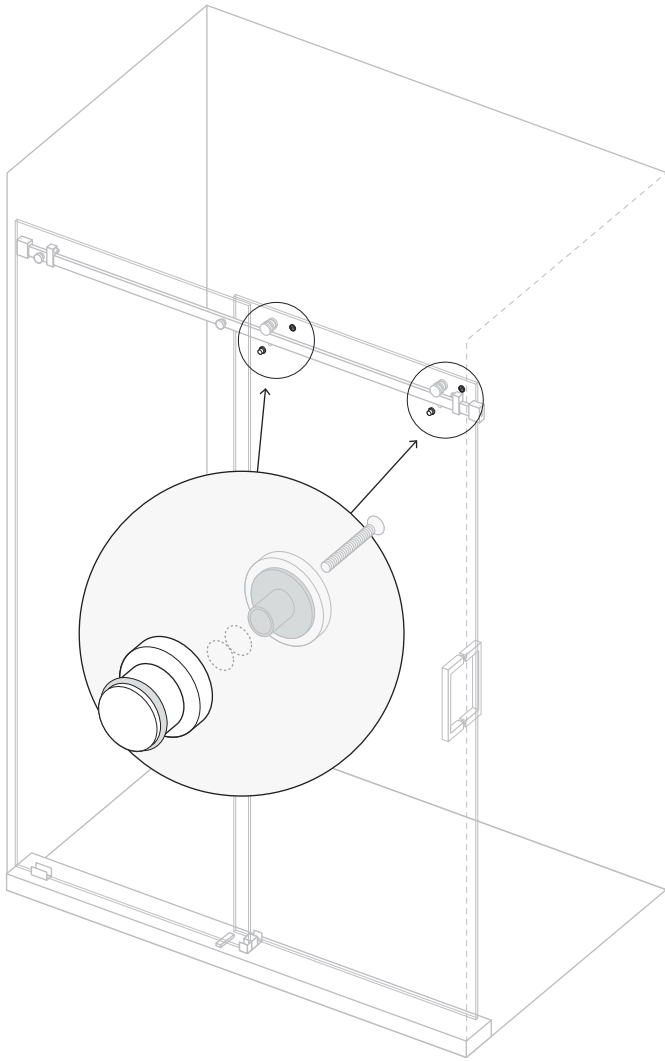
28

Level and adjust Slider Panel Rollers.

If Slider Panel is not level when hung from Rollers you can use the Roller Adjustment Tool to level it up.

Slightly loosen the allen bolt on back of Slider Panel Roller. Insert Roller Adjustment Tool into the hole on the edge of the Roller backing plate and turn it to adjust level.

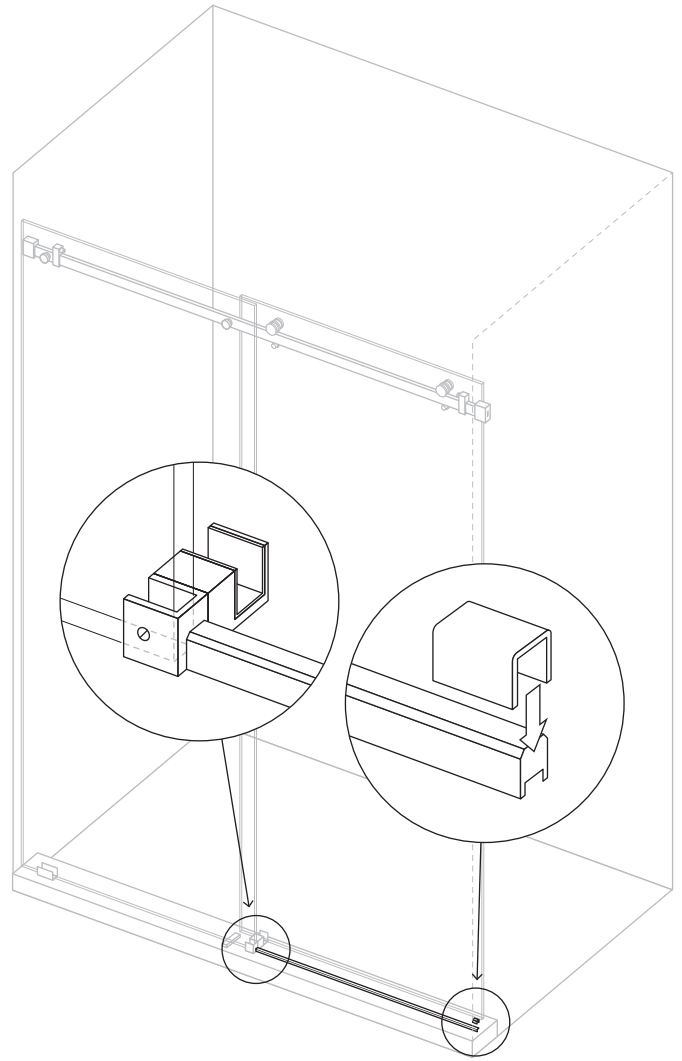
Once Slider Panel is level, tighten allen bolt on back of Roller very tight. Slide door back and forth gently again and make sure it is not binding anywhere.



29

Install the Roller Guides.

Install Roller Guides on Slider Panel to prevent the door from being able to come off Rollers. Make sure there's no more than a 1/8" gap between the guides and the Shower Rod. The Roller Guides need to be almost touching the Shower Rod to insure that the Slider Panel is completely secure.

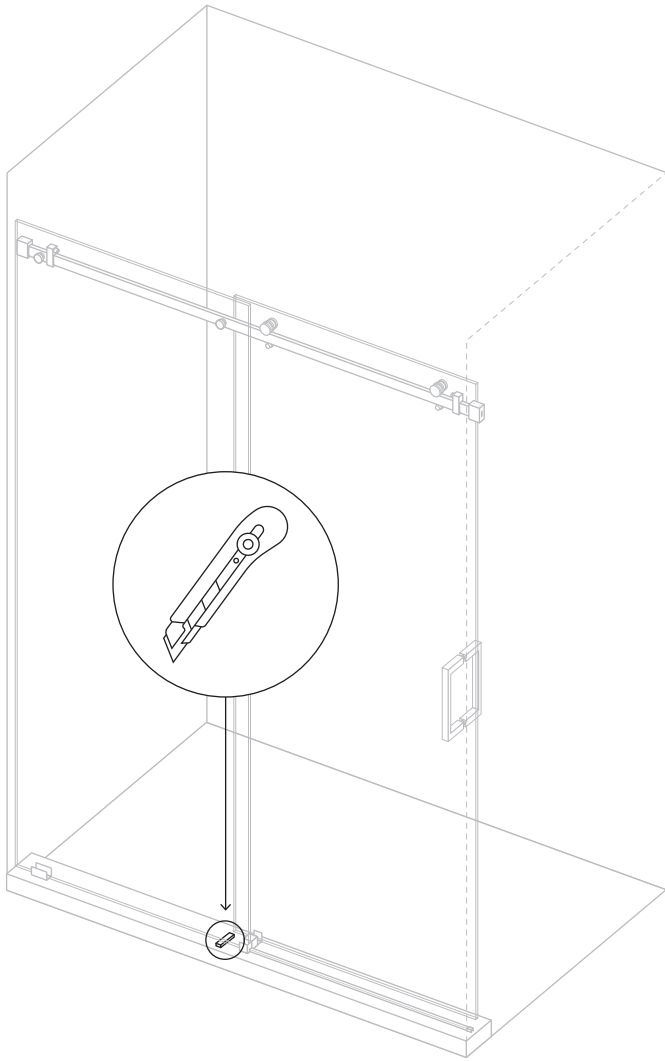


30

Install Aluminum Floor Strip in line with Fixed Panel and optional Cap.

Install Aluminum Floor Strip to prevent water leakage. Measure distance from Floor Bracket to wall and cut Aluminum Floor Strip to fit. Apply a small bead of silicone under strip for waterproofing and set in place in line with Fixed Panel already in the Floor Bracket. If Aluminum Floor Strip is cut slightly short, apply a small bead of silicone under Aluminum Floor Strip Cap and place on top of cut end of Aluminum Floor Strip as close to the wall as possible.

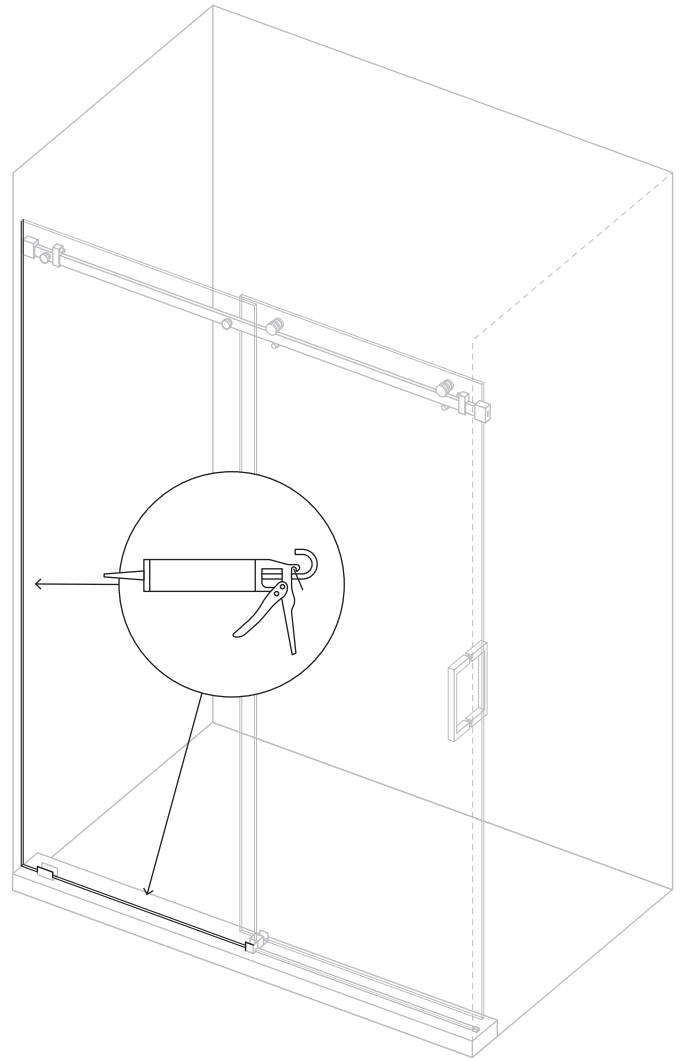
Tape aluminum strip to floor surface using masking tape and allow to dry for 24 hours.



31

Trim Rubber Block.

Trim the Rubber Block with a utility knife so that it is flush with the Glass Panel resting on top. The Rubber Blocks remain under the Glass Panel. Do not remove them.



32

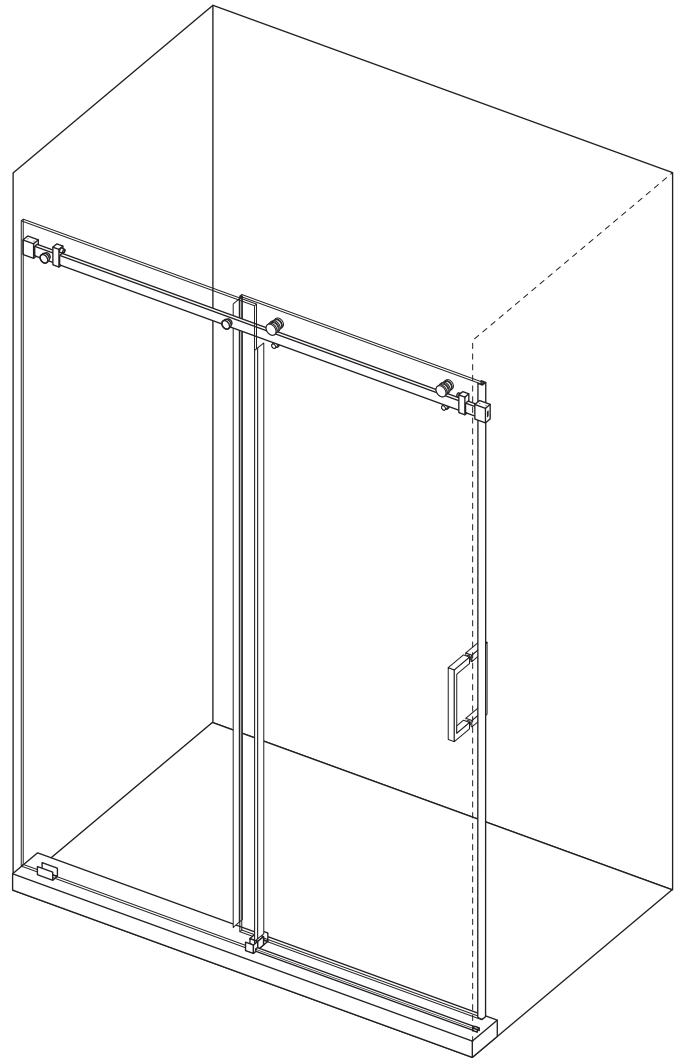
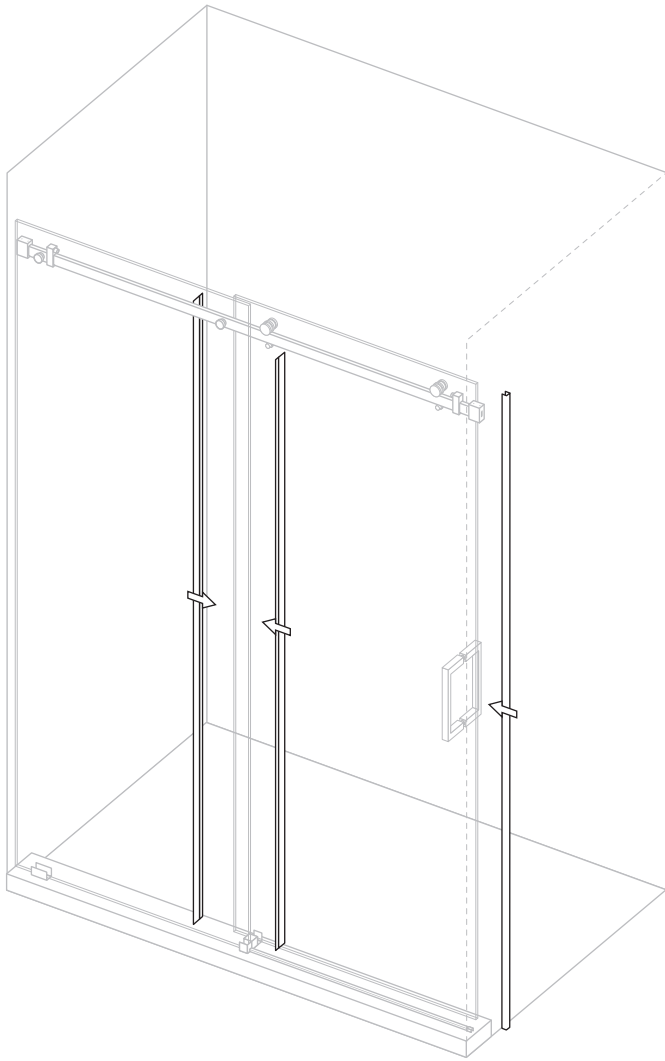
Apply silicone to seal Fixed Panel.

Apply silicone around the wall and floor surface of the Fixed Panel. You need to silicone both the inside and outside edges ensuring the gap between glass and tile is completely sealed.

Once sealed, spray the silicone with water and use a spatula (available in our Install Kit) to remove any silicone residue.

Important: It is critical that the silicone is given 24 hours to set and cure.





33

Install Weather Strips.

Install the plastic weather strip on panels. The shortest Weather Strip goes on the edge of the Fixed Panel. The longest bubble shaped piece goes on the outer edge of the Slider Panel near the handle. The mid-length piece goes on the inside of the Slider Panel.

Once silicone has cured, you're done!

Please register your warranty using the instructions on the back cover of this document.



FUTUREGLASS

FUTUREGLASS.US

Exclusive Limited Warranty Terms & Conditions.

This warranty is effective as of JANUARY 1, 2019 on all Future Glass product purchases

PLEASE READ Future Glass WARRANTY TERMS AND CONDITIONS BEFORE INSTALLING YOUR Future Glass PRODUCT. BY USING THE PRODUCT, YOU ARE CONSENTING TO BE BOUND BY THE FOLLOWING WARRANTY TERMS AND CONDITIONS

Future Glass offers the following warranty for its products and components thereof. This warranty extends only to the original owner/end-user for household use only and is not transferable to a subsequent owner. Future Glass reserves the right to modify this warranty at any time, it being understood that such modifications will not alter the warranty conditions applicable at the time of sale of the products in question. This warranty extends for a designated period of time, so long as the product remains in use in its original place of installation and that the product must be maintained as described in the owner's manual supplied with the product. This warranty applies only to Future Glass® products purchased from an authorized dealer in the United States or Canada.

Proof of purchase (original sales receipt) from the original consumer purchase must be provided with all warranty claims. No responsibility is assumed by Future Glass for any special, incidental or consequential damages. **IN NO EVENT SHALL THE LIABILITY OF Future Glass EXCEED THE PURCHASE PRICE OF THE UNIT.**

Future Glass products must be installed by a fully insured, licensed professional and according to the Future Glass installation instructions and guidelines. Installation of Future Glass product by anyone other than a fully insured licensed professional shall **VOID THE WARRANTY.** Future Glass recommends that such licensed professionals have experience in the installation of bathroom products -specifically glass shower and glass tub doors. Installation of certain products, including, without limitation, glass products (i.e., shower and tub doors) by an unlicensed or inexperienced installer may result in glass breakage and, consequently, may cause personal injury or even death and Future Glass will not be liable.

PARTS ONLY WARRANTY – Limited Warranty 3 years

This warranty is extensive in that it covers replacement of all defects. Future Glass may, at its option, examine and inspect the alleged defective product and Future Glass may request that parts be returned to Future Glass at Owner's expense for factory assessment and inspection. If Future Glass determines product to be covered by the above Warranty, replacement parts will be shipped via ground shipping. Increased costs for expedited delivery, if requested by the Customer, will be the responsibility of Customer. Parts replaced under the terms of this Warranty will be warranted for the remainder of the original warranty period.

LABOR CHARGES AND/OR DAMAGE INCURRED DURING INSTALLATION, REPAIR, OR REPLACEMENT, AS WELL AS ANY OTHER KIND OF ANCILLARY COST, LOSS OR DAMAGE ARE EXCLUDED. Please allow up to 1-3 business days for processing of warranty issued parts. Once warranty replacement parts are shipped, warranty is activated and product cannot be returned for refund thereafter.

SHOWER & TUB DOORS, SHOWER ENCLOSURE HARDWARE

Future Glass shower door, tub door, and shower enclosure hardware is backed by a Limited 3 Year Warranty. Future Glass warrants shower door, tub door and shower enclosure hardware (i.e. handles, bath knobs, hinges, clips, brackets, shower rods, 90° corner brackets) in chrome, brushed nickel, satin brass and polished brass finishes only to be free from defects in workmanship and materials under normal residential use for a period commencing from the initial date of purchase by the owner/ end-user, contractor or builder from an authorized Future Glass dealer for the life of the product as long as the original consumer purchaser owns the home in which the product is installed. Warranty for any part in oil rubbed bronze or matte black finish shall be limited to one (1) year.

Future Glass hereby disclaims all warranties for products sold as dealer or store displays. Future Glass hereby disclaims all warranties for products used outside of the United States or Canada whether expressed or implied, including but not limited to the implied warranties of merchantability and fitness for a particular purpose.

WARRANTY TERMS

Future Glass will, at its election, repair or replace the product found by Future Glass in its sole judgment, to be defective within the warranty period under normal residential use and maintenance. The replacement of a product is limited to supplying a replacement product or part (same as existing or if not available, comparable product). Future Glass warranty obligation shall be discharged upon tender of parts, replacement or repair of the product. Purchaser's refusal to accept the tender terminates all warranty obligations and **VOIDS THE WARRANTY.** Cost of freight for returning products to Future Glass for repairs or replacement under this limited warranty are the responsibility of the customer. Cost of freight associated with shipping of replacement product(s) or parts covered by this warranty is the responsibility of the original user. Any product replaced or repaired during the warranty period will be covered only for the remaining period of the original warranty. In no event will Future Glass be liable for costs of repair or replacement of any installation material, including but not limited to tile, marble, etc. **Future Glass IS NOT RESPONSIBLE FOR INSTALLATION, REMOVAL OR REINSTALLATION COSTS OF ANY PRODUCT REQUIRING WARRANTY SERVICES.**

Any modification or alteration of any Future Glass products will void the warranty. Neither the authorized Future Glass dealer, nor any other person is permitted to make any affirmation, representation, or warranty other than those contained in this warranty. Any affirmation, representation, or warranty other than those contained in this warranty shall not be enforceable against Future Glass or any other person.

Future Glass product installations must be performed by either a Future Glass authorized agent or a licensed, insured and experienced professional contractor - installations performed by any other party shall void the warranty. This warranty shall not apply to breakage or damages caused by normal wear and tear, fault, carelessness, abuse, misuse, misapplication, improper maintenance, alteration or modification of the unit, as well as chemical or natural corrosion, accident, fire, flood or any other casualty. Improper care and cleaning will void the warranty. Use of cleaners containing abrasive cleansers, ammonia, bleach, acids, waxes, alcohol, solvents or other products not recommended for hardware finishes, glass or acrylic as they may damage the metal or glass finish of your shower door or shower enclosure and will void the warranty. For additional product maintenance instructions please refer to the product installation manual. Future Glass is not responsible for any issues arising in connection with errors or omissions in information provided on Future Glass or dealers' websites. This warranty does not extend to any non-Future Glass plumbing or components installed by installers, end users or by any party other than Future Glass.

THE FOREGOING WARRANTIES ARE IN LIEU OF ALL OTHER WARRANTIES, EXPRESSED OR IMPLIED, INCLUDING BUT NOT LIMITED TO THE IMPLIED WARRANTIES OF MERCHANTABILITY AND FITNESS FOR A PARTICULAR PURPOSE. BATH AUTHORITY LLC ("Future Glass") AND/OR SELLER DISCLAIMS ALL LIABILITY FOR SPECIAL, INCIDENTAL OR CONSEQUENTIAL DAMAGES. Future Glass IS NOT LIABLE FOR PERSONAL INJURIES OR DEATH TO ANY PERSON OR FOR ANY DIRECT, SPECIAL, INCIDENTAL OR CONSEQUENTIAL DAMAGE, LOSS OF USE, LOSS OF TIME, LOSS OF PROFITS, INCONVENIENCE, INCIDENTAL EXPENSES, LABOR OR MATERIAL CHARGES, OR ANY OTHER COSTS RESULTING FROM THE USE OF ITS PRODUCTS OR PERTAINING TO THE APPLICATION OF THE PRESENT WARRANTY, OR RESULTING FROM THE REMOVAL OR REPLACEMENT OF ANY PRODUCT OR ELEMENT OR PART COVERED BY THIS WARRANTY.

WARRANTY SERVICE

To activate your limited lifetime warranty, please visit:
<https://futureglass.us/pages/contact/>



Please register your information within 30 days of purchase to complete the activation of your warranty.

**Contact Technical Support:
Monday – Friday 8am – 5pm – PST**

Technical Support: 760-203-6255

FUTUREGLASS

Register Your Warranty Today!

To activate your limited lifetime warranty, please visit:
<https://futureglass.us/pages/contact/>



We will require this information within 30 days of purchase to complete the activation of your warranty.