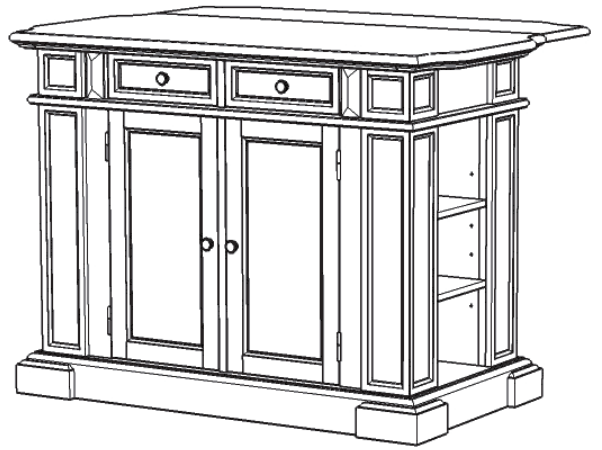


homestyles®

88 5013 943

Kitchen Island



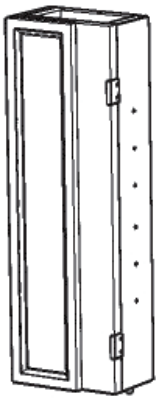
IMPORTANT

Carefully remove all the parts from the carton and place them individually on a soft cloth to prevent scratches or other damage.

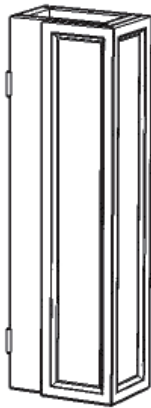
Carefully and strictly follow these assembly instructions to ensure a completed product as designed.

Do not use power tools above 8 volts to assemble.

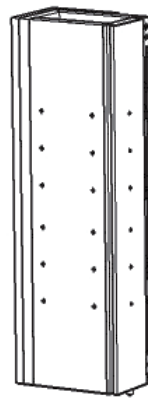
Part List



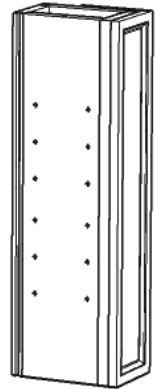
I.
Leg
1 pc.



J.
Leg
1 pc.



K.
Leg
1 pc.



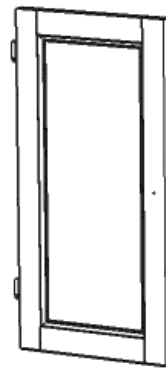
L.
Leg
1 pc.



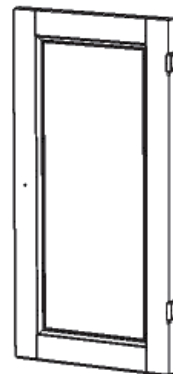
M.
Side Panel
2 pcs.



O.
Shelf
4 pcs.



P.
Door
1 pc.



Q.
Door
1 pc.

Cartons 88 5013 941, 942 are also needed for assembly.

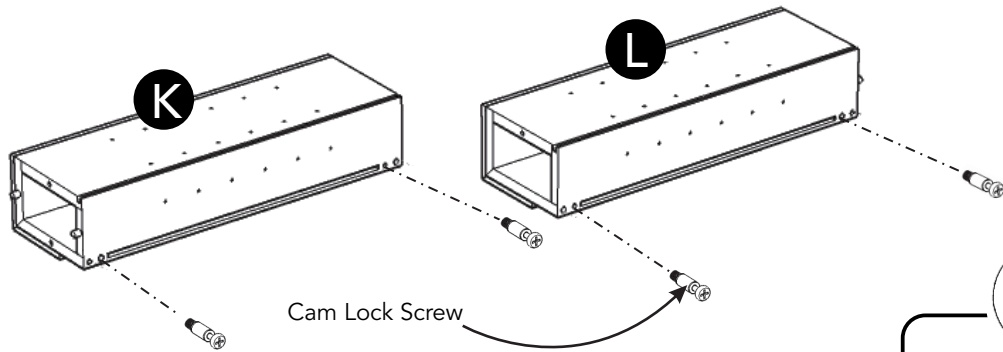
Tool(s) required for assembly: Phillips screwdriver, Level

Home Styles Customer Service: www.homestyles-furniture.com,
servicedesk@homestyles-furniture.com, 888-680-7460, 877-831-0319

Assembly Instructions 2/5

IMPORTANT

- Use a soft cloth between these parts and the floor.
- Do not use power tools above 8 volts to assemble.
- Do not tighten all the bolts until each part is properly assembled.
- The unit must be level to work properly. Use the included adjustable levelers to level.
- Keep Hex Wrench in a safe place as the bolts may need to be tightened up in the future.



STEP 1

Insert Cam Lock Screws into pre-drilled holes of Legs (K) and (L).
(See Figure 1)

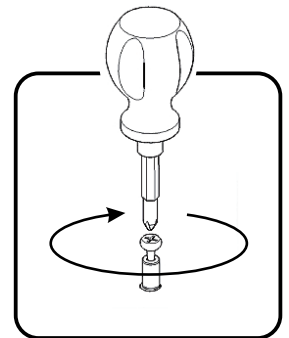
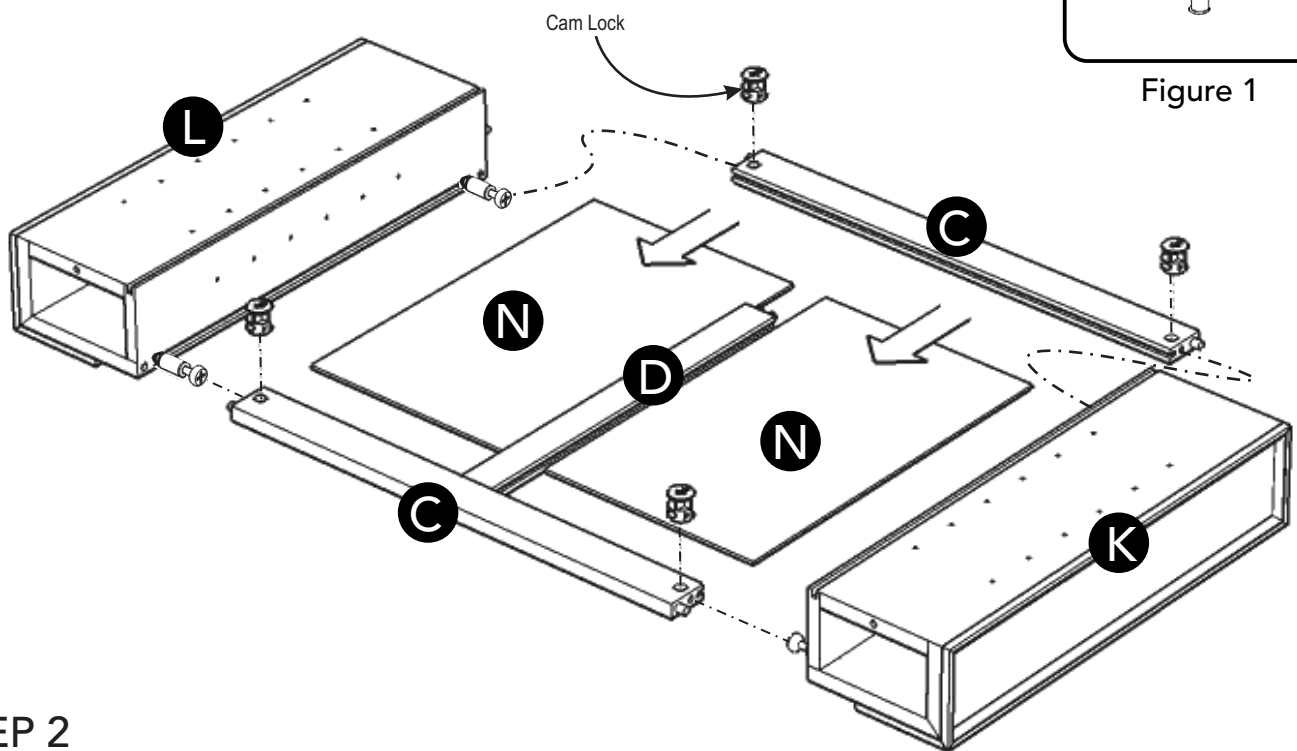


Figure 1



STEP 2

Attach Back Stretcher (C) to Leg (K) with Cam Lock.
(See Figure 2)

Attach Back Upright (D) to Back Stretcher (C).

Slide Back Panels (N) into place, then attach
Back Stretcher (C) to unit with Cam Lock.

Attach Leg (L) to unit with Cam Locks.

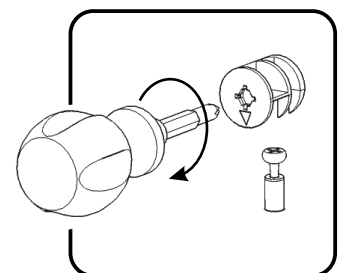


Figure 2

Assembly Instructions 3/5

STEP 3

Attach unit from Step 2 and Middle Panel (E) to Base (H) with Head Cap Bolts.
(See Figure 3)

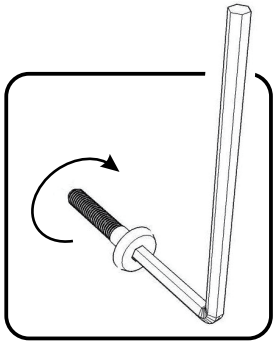
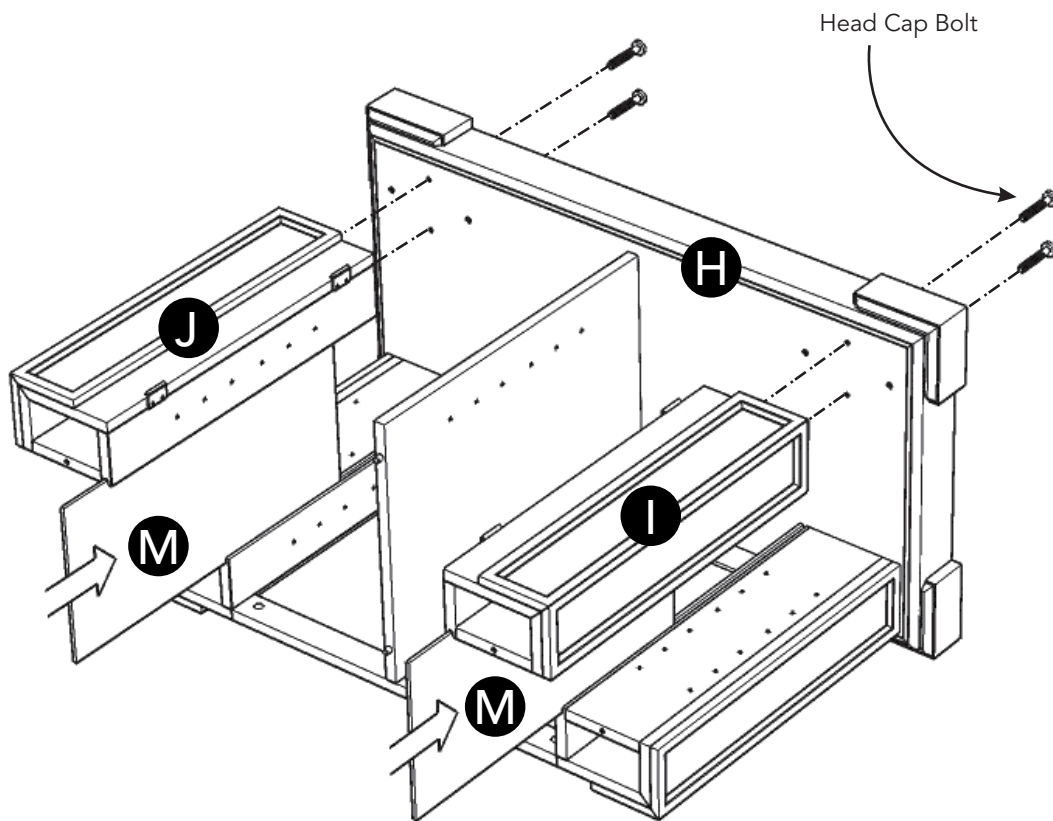
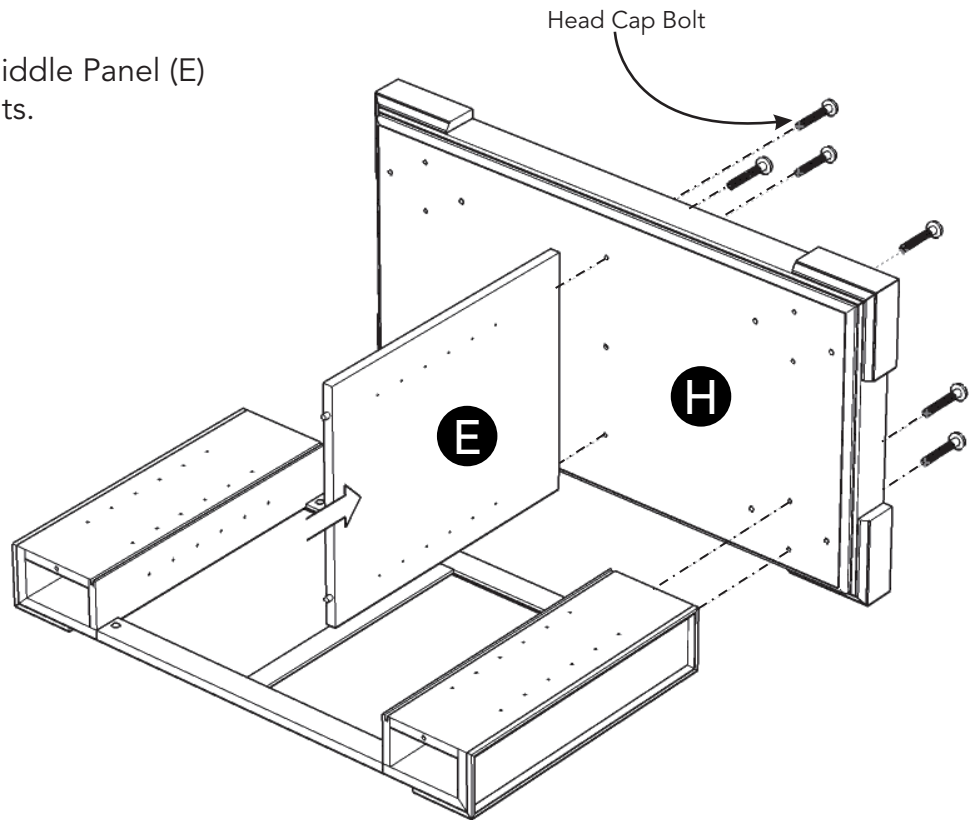


Figure 3

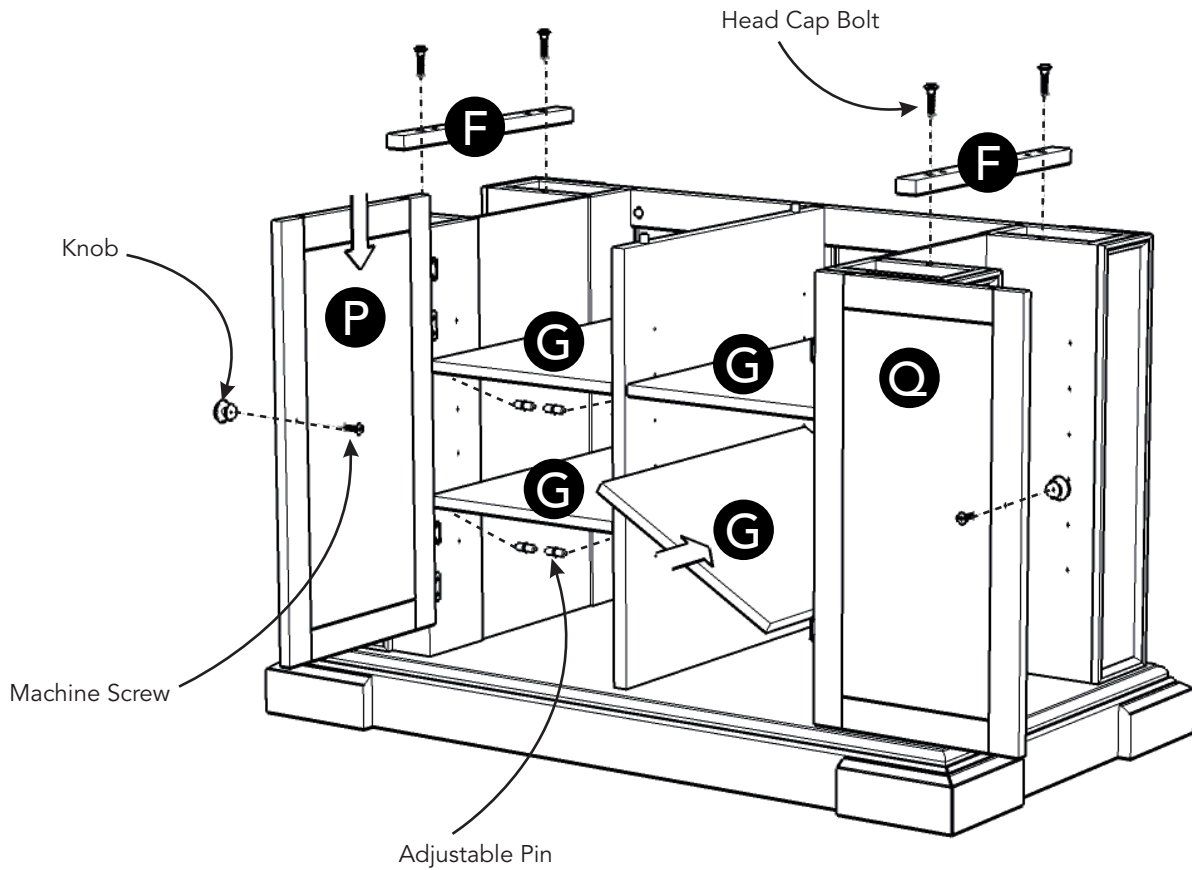


STEP 4

Attach Legs (I) and (J) to Base (H) with Head Cap Bolts.

Slide Side Panels (M) into position.

Assembly Instructions 4/5



STEP 5

Attach Rails (F) to unit with Head Cap Bolts.

Attach Adjustable Pins into side panels and middle panel at the desired level.

Slide Shelves (G) into place.

Attach Knobs to Doors (P) and (Q) with Machine Screws. (See Figure 4)

Attach Doors (P) and (Q) to side panel by sliding the door life hinges into the side panel lift hinges. (See Figure 5)

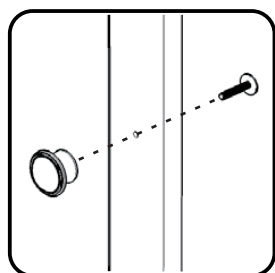


Figure 4

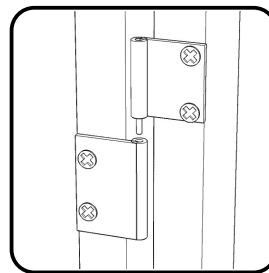


Figure 5

Assembly Instructions 5/5

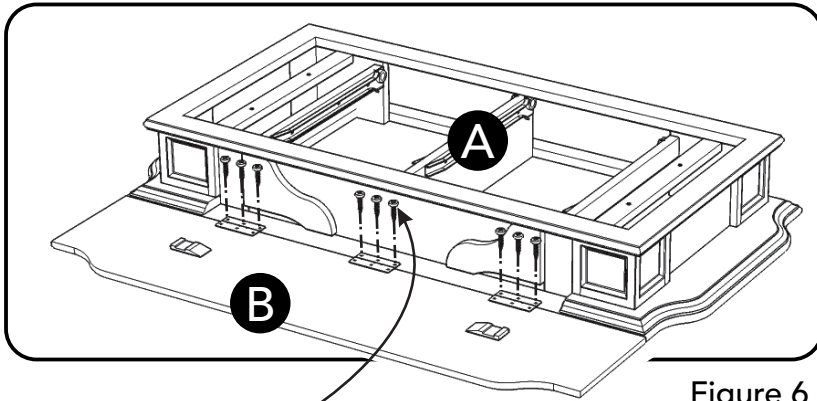


Figure 6

Wood Screw

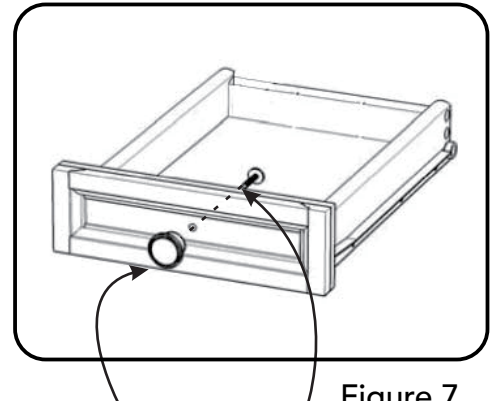


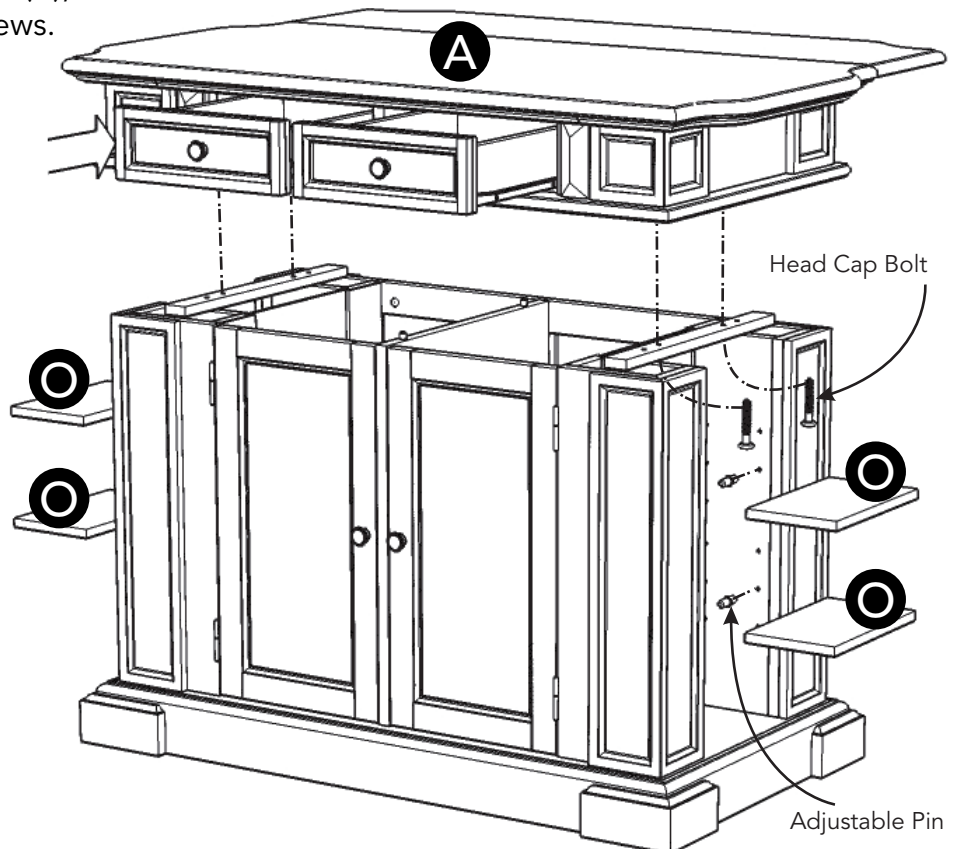
Figure 7

Knob Machine Screw

STEP 6

Attach Top Unit (A) to Leaf Top (B) with Wood Screws.
(See Figure 6)

Remove the Drawers in Top Unit (A),
attach Knobs with Machine Screws.
(See Figure 7)



STEP 7

Attach Top Unit (A) onto the
unit with Head Cap Bolts.

Slide Drawers into position.

Insert Adjustable Pins into side panels at the desired level.

Slide Shelves (O) into place.

Level unit by adjusting the adjustable
levelers on the bottom of unit.
(See Figure 8)

Note: Unit must be level to work properly.

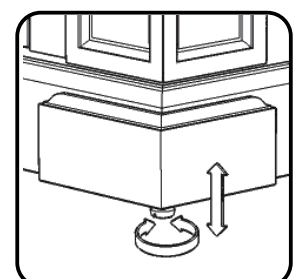


Figure 8

CARE INSTRUCTIONS

NEVER

allow liquids to remain on furniture.
Absorption causes parts to warp
and split and finishes to delaminate.

NEVER

use glass cleaners on
finished furniture. Ammonia
chemically attacks the finish.



Do not use power tools
above 8 volts to assemble.

**PREVENT
CRACKING**



Do not place
in direct sunlight.

**PREVENT
FADING**



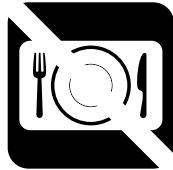
Do not write
directly on surface.

**PREVENT
MARKING**



Do not place hot
objects on surface.

**PREVENT
FINISH DAMAGE**



Do not use rubber
based placemats.

**PREVENT
DISCOLORING**



Do not use commercial
waxes and polishes.

**PREVENT
YELLOWING**

CLEAN

with a soft cloth moistened
in lukewarm soap and water.
Buff with a dry clean cloth.



Home Styles will provide replacements free of charge for missing or damaged hardware or parts within 30 days of purchase. Digital images of the defective parts may be required. If the product was not purchased from an authorized retail affiliate, Home Styles is under no obligation to provide replacement parts. Parts are not available for fully assembled items nor are parts available for sale. Replacements for missing or damaged hardware or parts may be requested at:

www.homestyles-furniture.com/customer-service/replacement-parts

Home Styles Customer Service: www.homestyles-furniture.com,
servicedesk@homestyles-furniture.com, 888-680-7460, 877-831-0319