

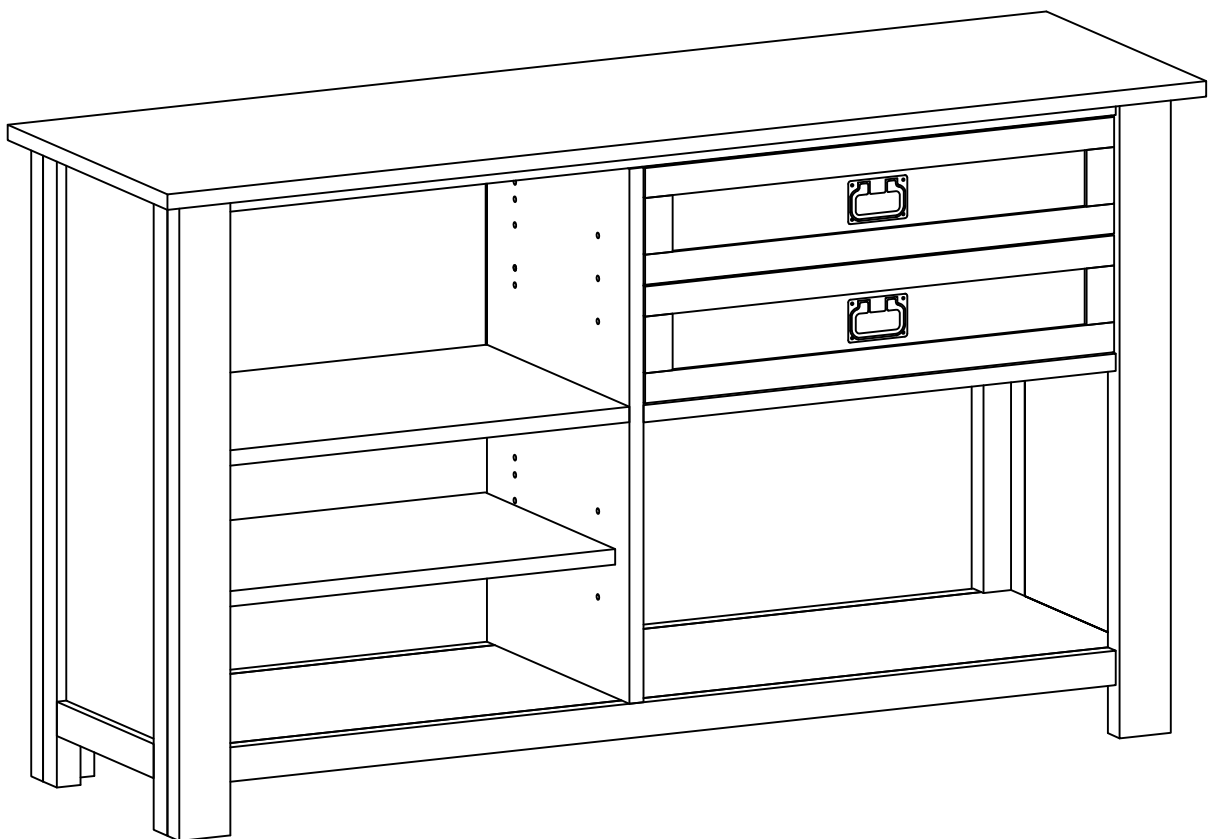
SIMPLI™
H O M E

WyndenHall™
HOME DECOR
brooklyn + max™

MONROE / GARRET / SULLIVAN

CONSOLE TABLE

MODEL # AXCMON-04





DO NOT RETURN

FOR REPLACEMENT PARTS OR OTHER INQUIRIES

PLEASE CONTACT US AT:

simpli-home.com/customer-support

PLEASE ENSURE TO HAVE THE MODEL #

FROM THE PACKAGING OR

INSTRUCTION BOOKLET

IMPORTANT : Please read this manual carefully before beginning assembly of this product. Keep this manual for future reference.

SAFETY INFORMATION

Identify all the parts and hardware. Do not discard of the packaging until you have checked that you have all of the parts and hardware required. Hardware package may have spare parts.

WARNING: This item contains small parts which can be swallowed by children and pets. Keep children and pets away during assembly. To avoid danger of suffocation, always keep plastic bags away from children and pets. We recommend that you assemble this unit on a carpeted floor to avoid scratches. If using power tools, set the tool to low torque to avoid damage.

May require 2 people for ease of assembly.

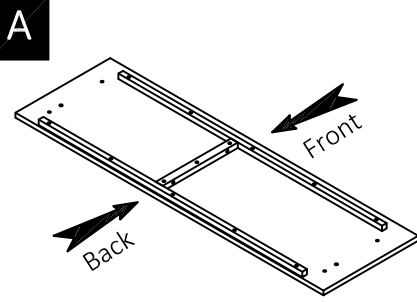
CARE and MAINTENANCE

To clean, use a soft or slightly damp cloth, then wipe with a clean, dry cloth. Dust with soft dry cloth.

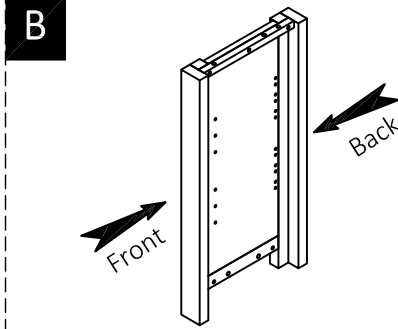
Do not use ammonia-based cleaning products, as they will damage the finish. Do not leave liquids or damp cloths on this furniture.

To avoid dulling of the finish, do not place furniture in direct sunlight. Please inspect and tighten all screws or bolts on a regular basis to ensure proper performance and safety of your item.

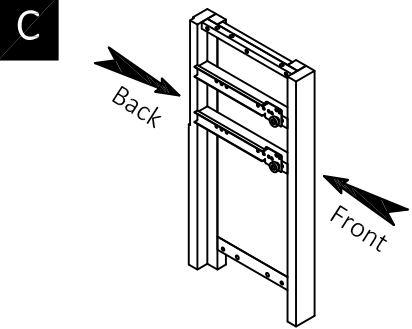
PART DESCRIPTION



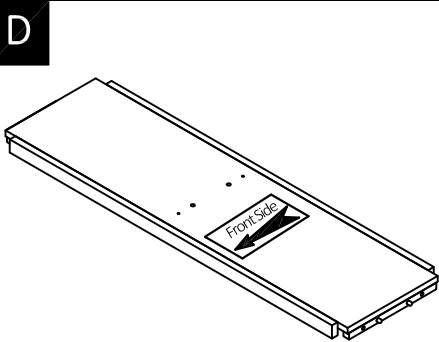
TOP
QTY 1



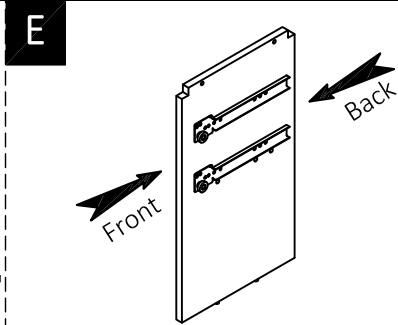
LEFT SIDE
QTY 1



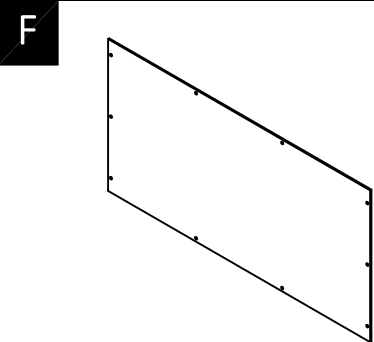
RIGHT SIDE
QTY 1



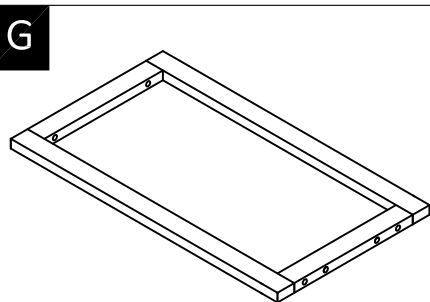
BOTTOM SHELF
QTY 1



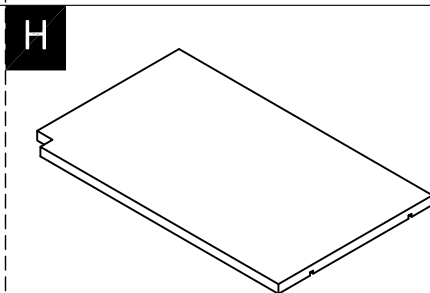
DIVIDER
QTY 1



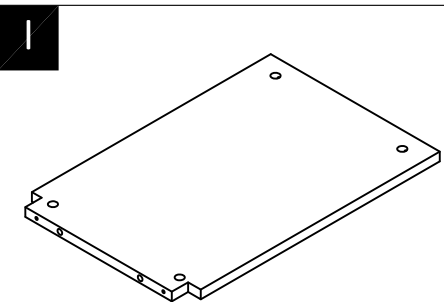
BACK PANEL
QTY 1



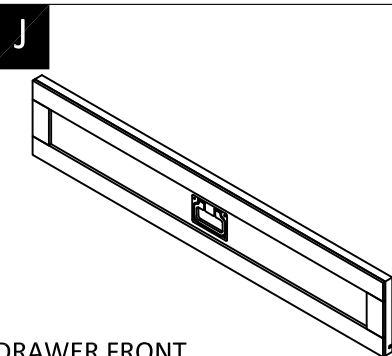
CENTRE FRAME
QTY 1



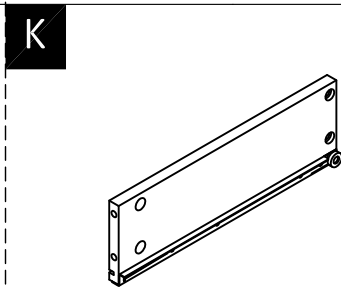
CABINET SHELF
QTY 1



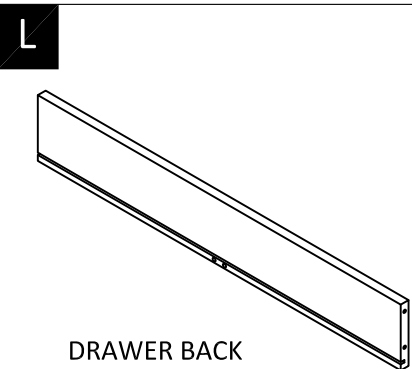
CENTRE SHELF
QTY 1



DRAWER FRONT
QTY 2



DRAWER SIDE
QTY 2 PAIRS

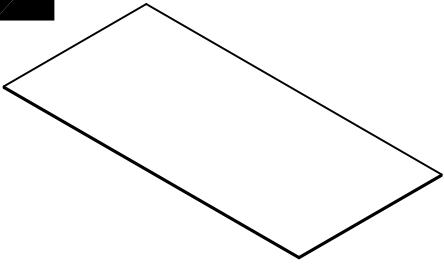


DRAWER BACK
QTY 2

NEED HELP? For help with assembly or if you are missing a part,
Please call customer service at 1-866-518-0120 ext. 262 (9 am to 5 pm EST)

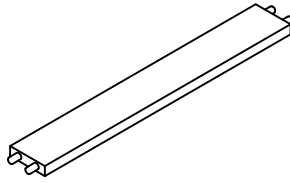
PART DESCRIPTION

M



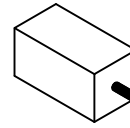
DRAWER BOTTOM
QTY 2

N



SUPPORT DRAWER BOTTOM
QTY 2

O

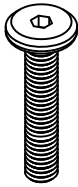


BOTTOM SUPPORT LEG
QTY 1

NEED HELP? For help with assembly or if you are missing a part,
Please call customer service at 1-866-518-0120 ext. 262 (9 am to 5 pm EST)

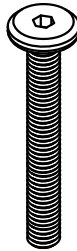
HARDWARE DESCRIPTION

1



ALLEN KEY BOLT
M6 X 30mm
QTY 10

2



ALLEN KEY BOLTS
M6 X 50mm
QTY 4

3



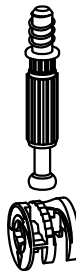
DOWEL
Ø8 X 25mm
QTY 16

4



ALLEN KEY SCREW
M6 X 30mm
QTY 10

5



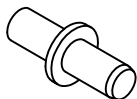
CAM LOCK PIN
CAM LOCK
QTY 12

6



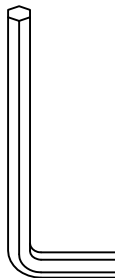
PHILLIPS SCREW ROUND HEAD
M4 X 15mm
QTY 10

7

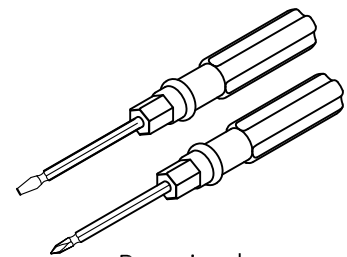


SHELF SUPPORT
QTY 6

8

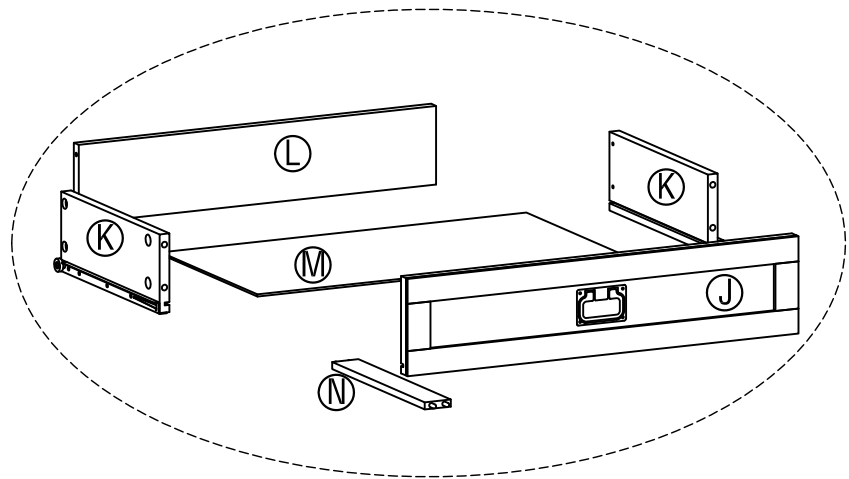
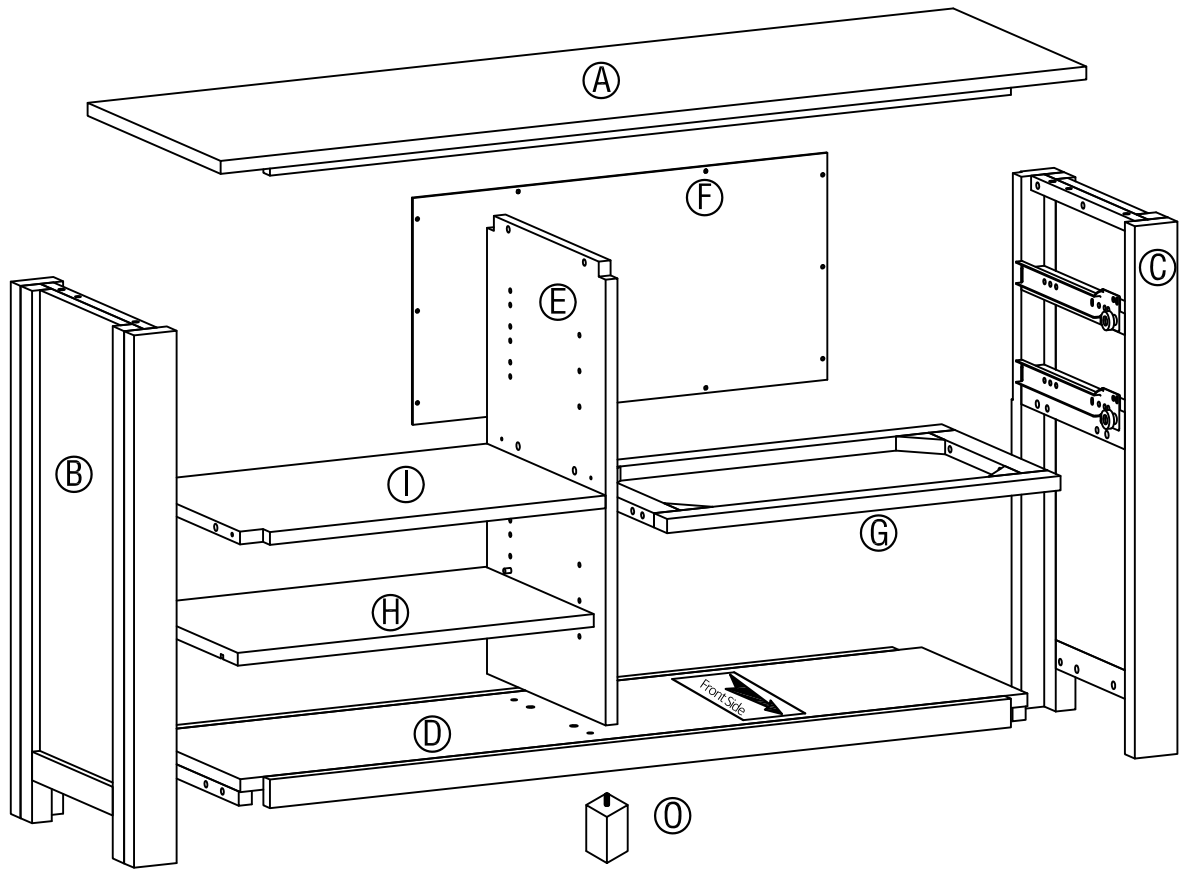


ALLENKEY
QTY 1

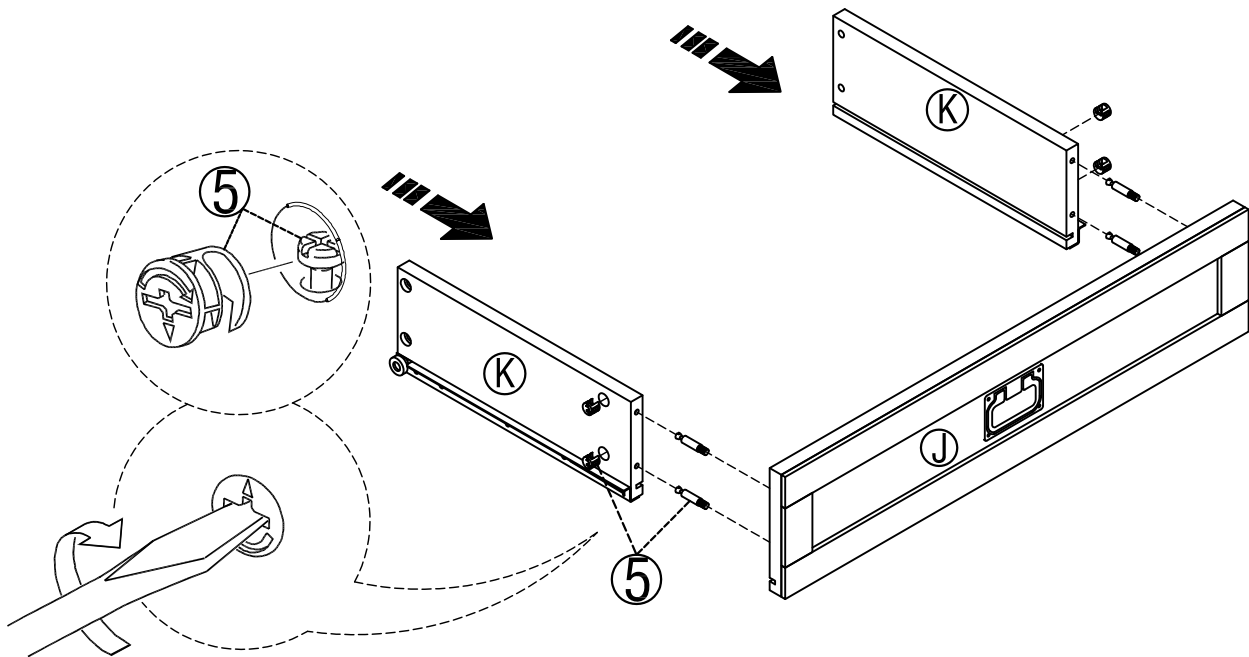


Required -
Flathead screwdriver
Phillips screwdriver
Not Included

NEED HELP? For help with assembly or if you are missing a part,
Please call customer service at 1-866-518-0120 ext. 262 (9 am to 5 pm EST)

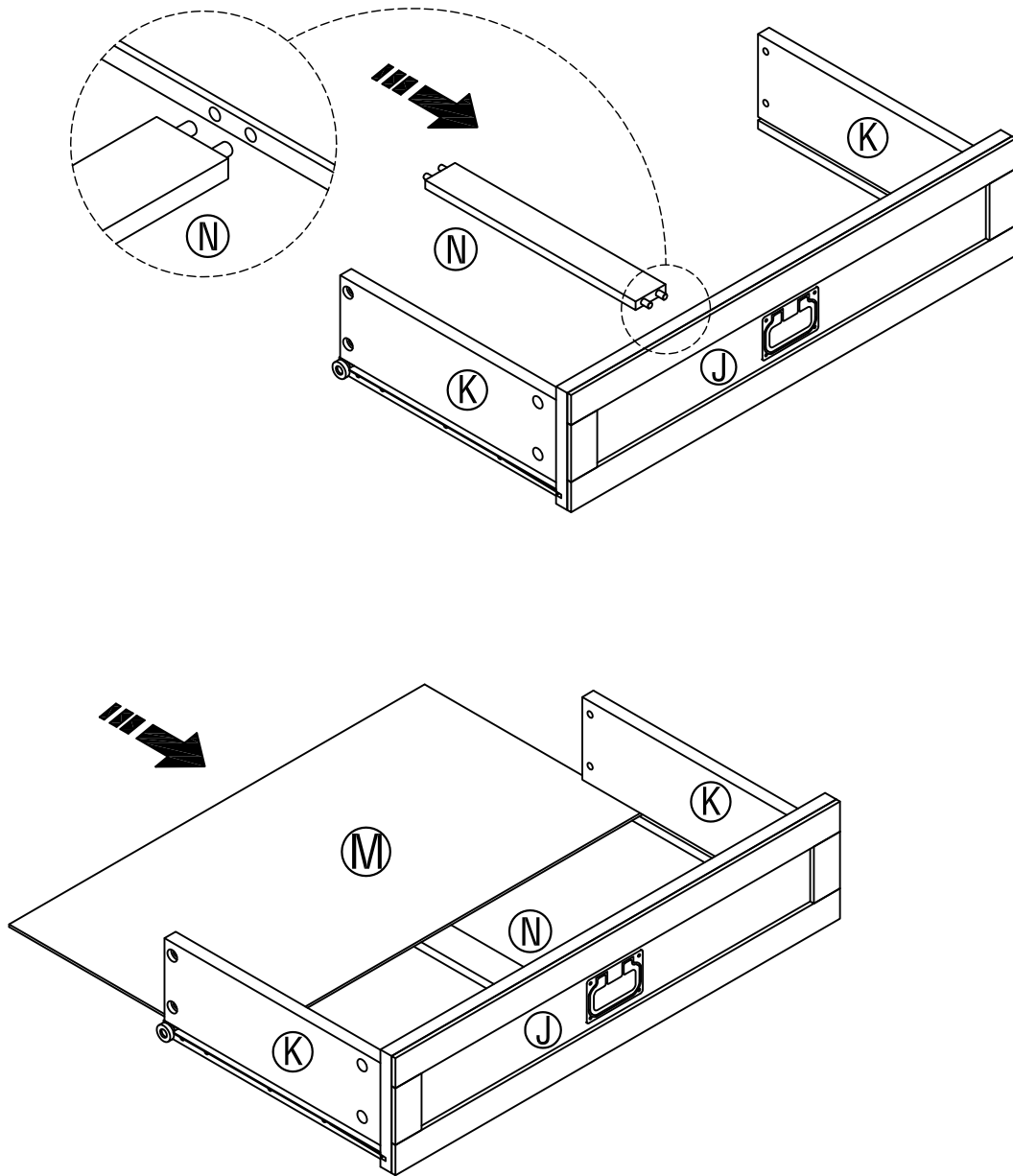


STEP-1



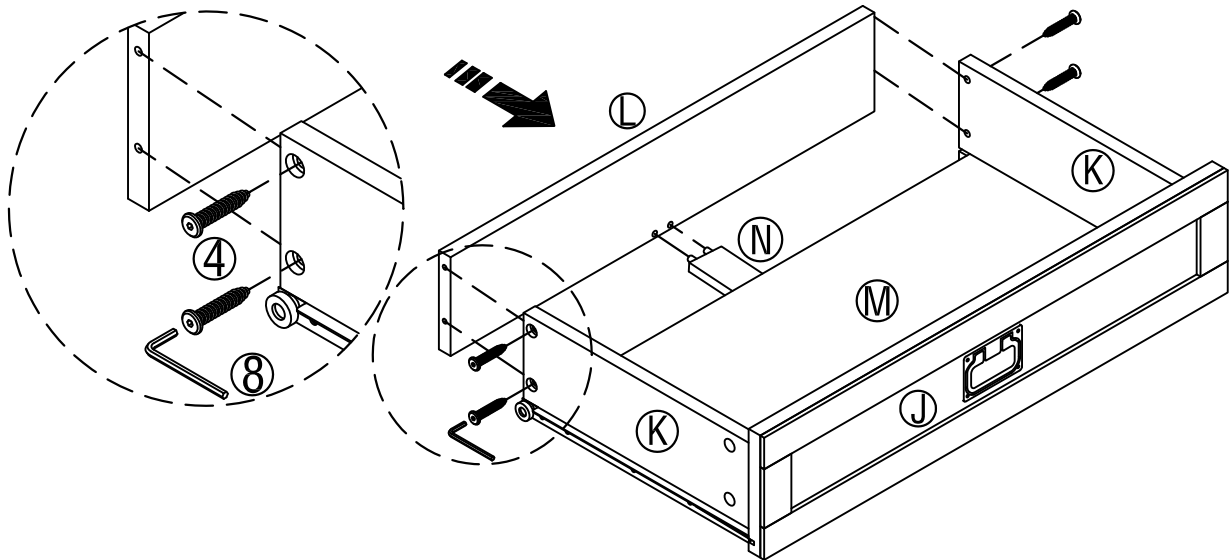
1. Attach 4 Cam Lock Pins (5) to pre-drilled holes at back of Drawer Front (J).
2. Align Cam Lock Pins with pre-drilled holes and attach Drawer Side (K).
3. Insert 2 Cam Locks (5) into pre-drilled holes on each Drawer Side (K).
4. Use flathead screwdriver secure Cam Locks.

STEP-2



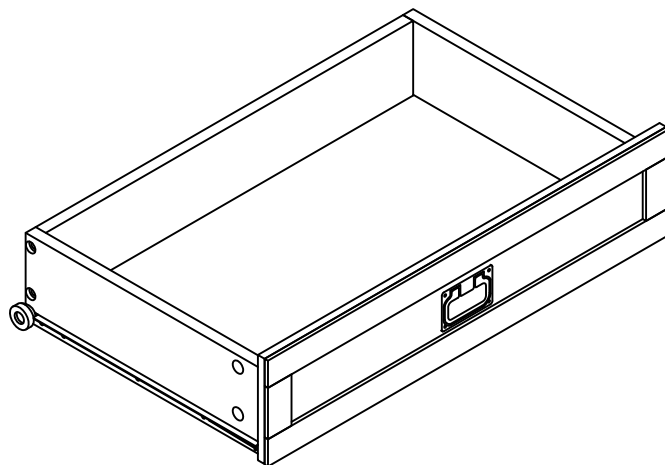
1. Align and insert dowels on Support Drawer Bottom (N) into pre-drilled holes at back of Drawer Front (J).
2. Slide Drawer Bottom (M) firmly into slots on Drawer Sides (K) and Drawer Front (J).

STEP-3

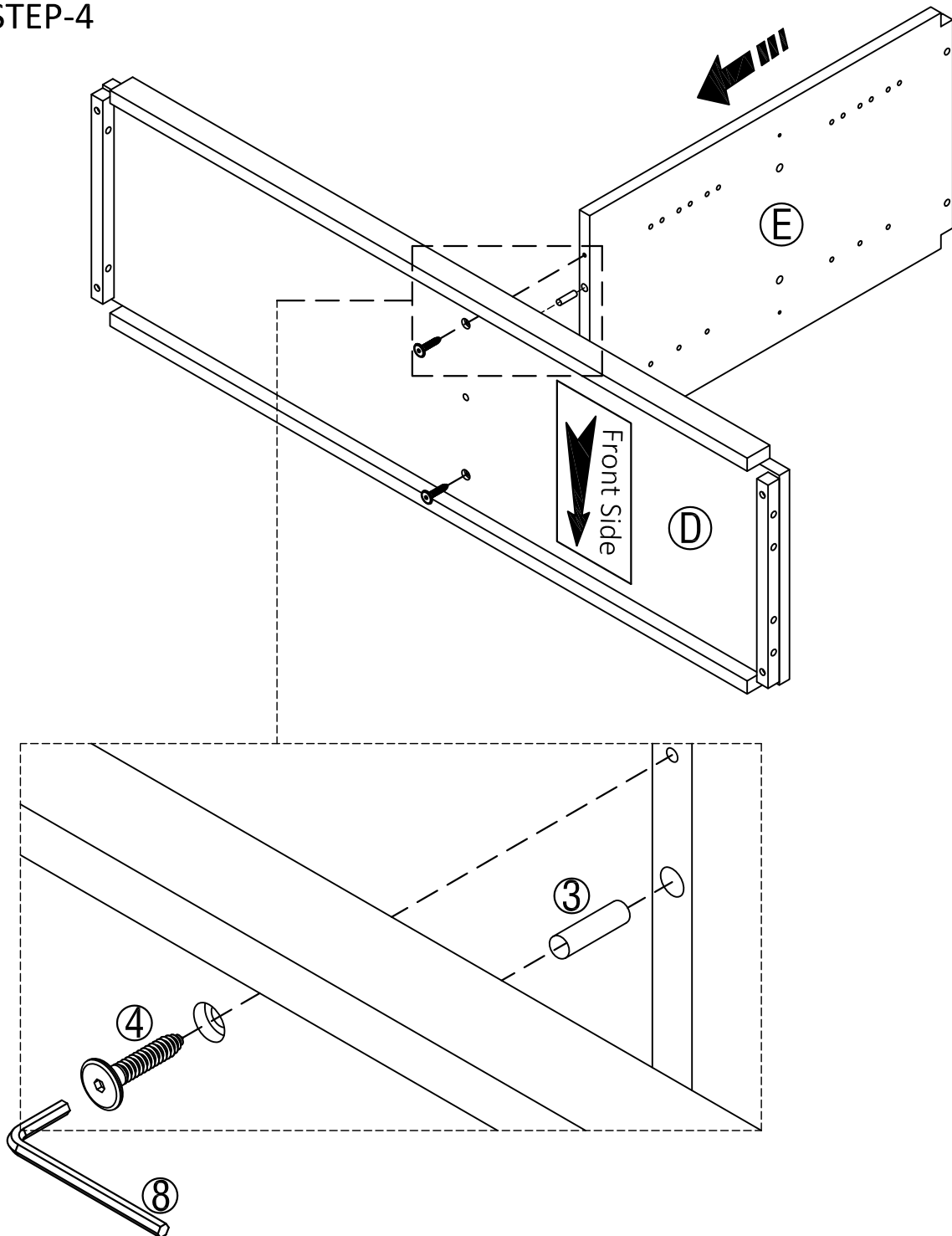


1. Align and insert dowels on Support Drawer Bottom into pre-drilled holes on Drawer Back (L).
2. Align Drawer Back (L) with Drawer Bottom (M) and press firmly into slot.
3. Attach Drawer Back (L) using 2 Allen Key Screws (4) through pre-drilled holes on each Side (K).
4. Use Allen Key (8) to tighten screws. Do not over-tighten.

Repeat Step 1-3 for the second drawer.

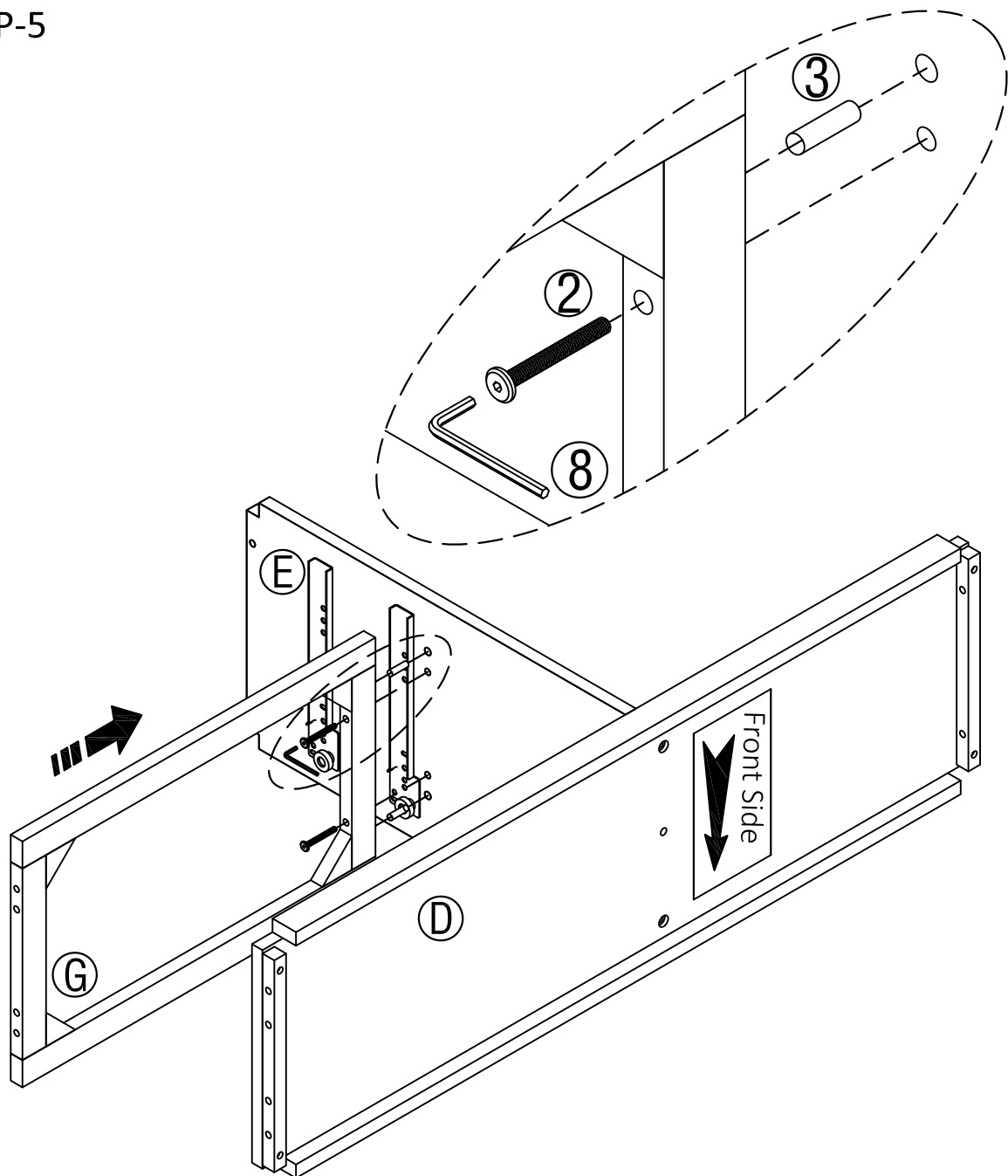


STEP-4



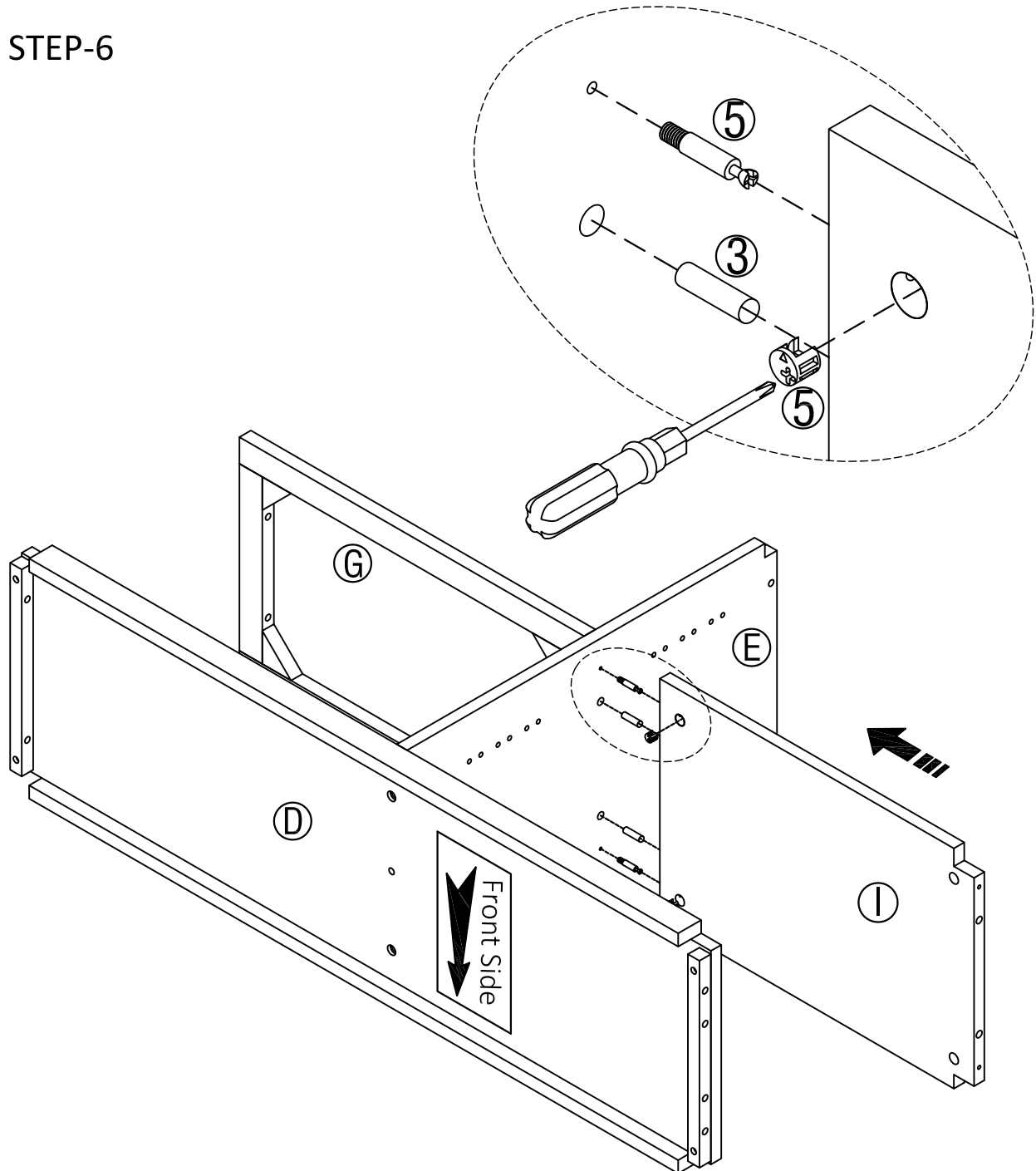
1. Insert 2 Dowels (3) into pre-drilled holes on Divider (E).
2. Use rubber mallet to tap Dowels (3) into bottom of holes securely. ½ length of Dowels should be exposed.
3. Attach Bottom Shelf (D) to Divider (E) using 2 Allen Key Screws (4).
4. Use Allen Key (8) to tighten. Do not over-tighten.

STEP-5



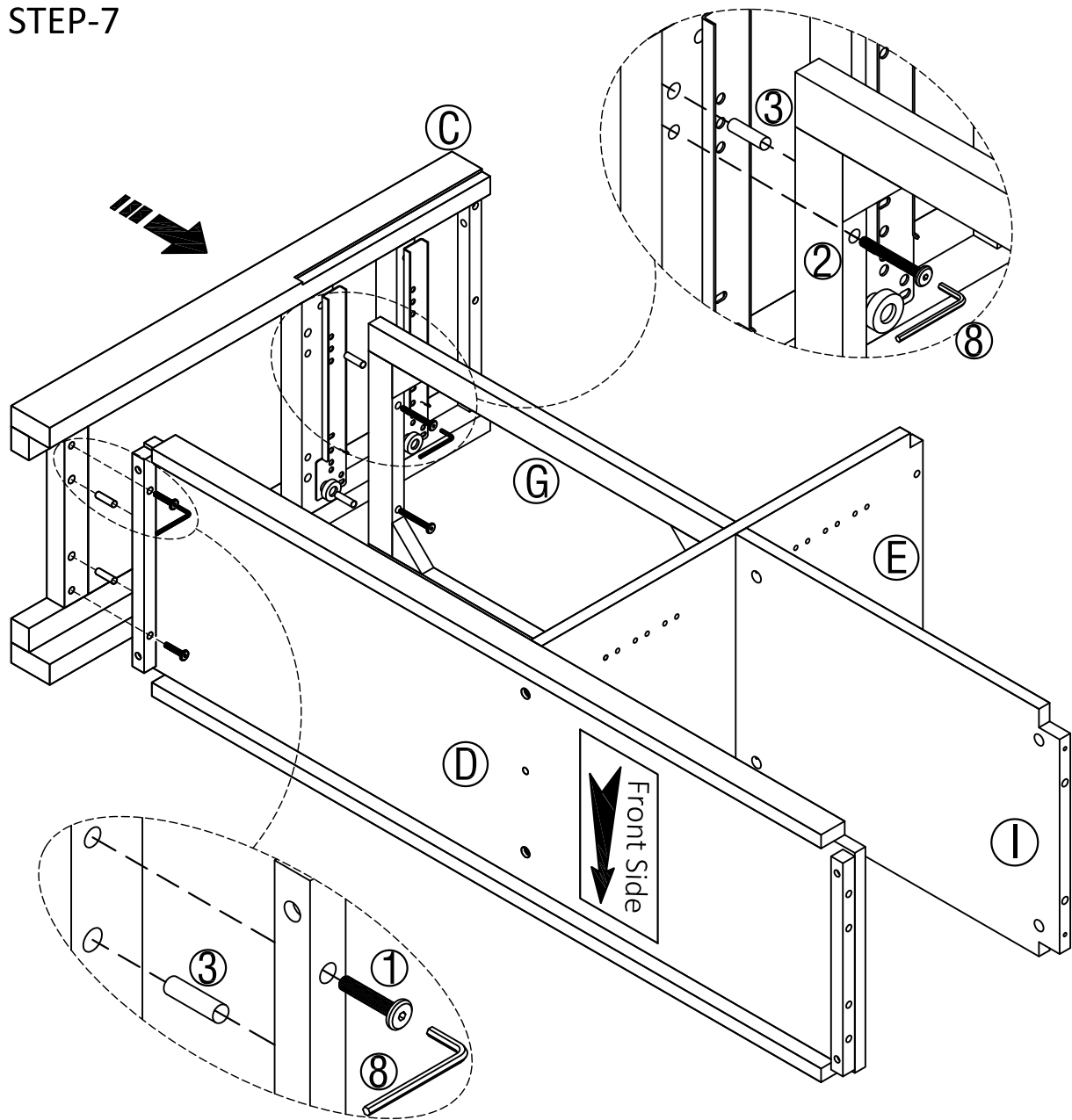
1. Insert 2 Dowels (3) into pre-drilled holes on Centre Frame (G).
2. Use rubber mallet to tap Dowels (3) into bottom of holes securely. $\frac{1}{2}$ length of Dowels should be exposed.
3. Attach Centre Frame (G) to Divider (E) using 2 Allen Key Bolts (2)
4. Use Allen Key (8) to tighten. Do not over-tighten.

STEP-6



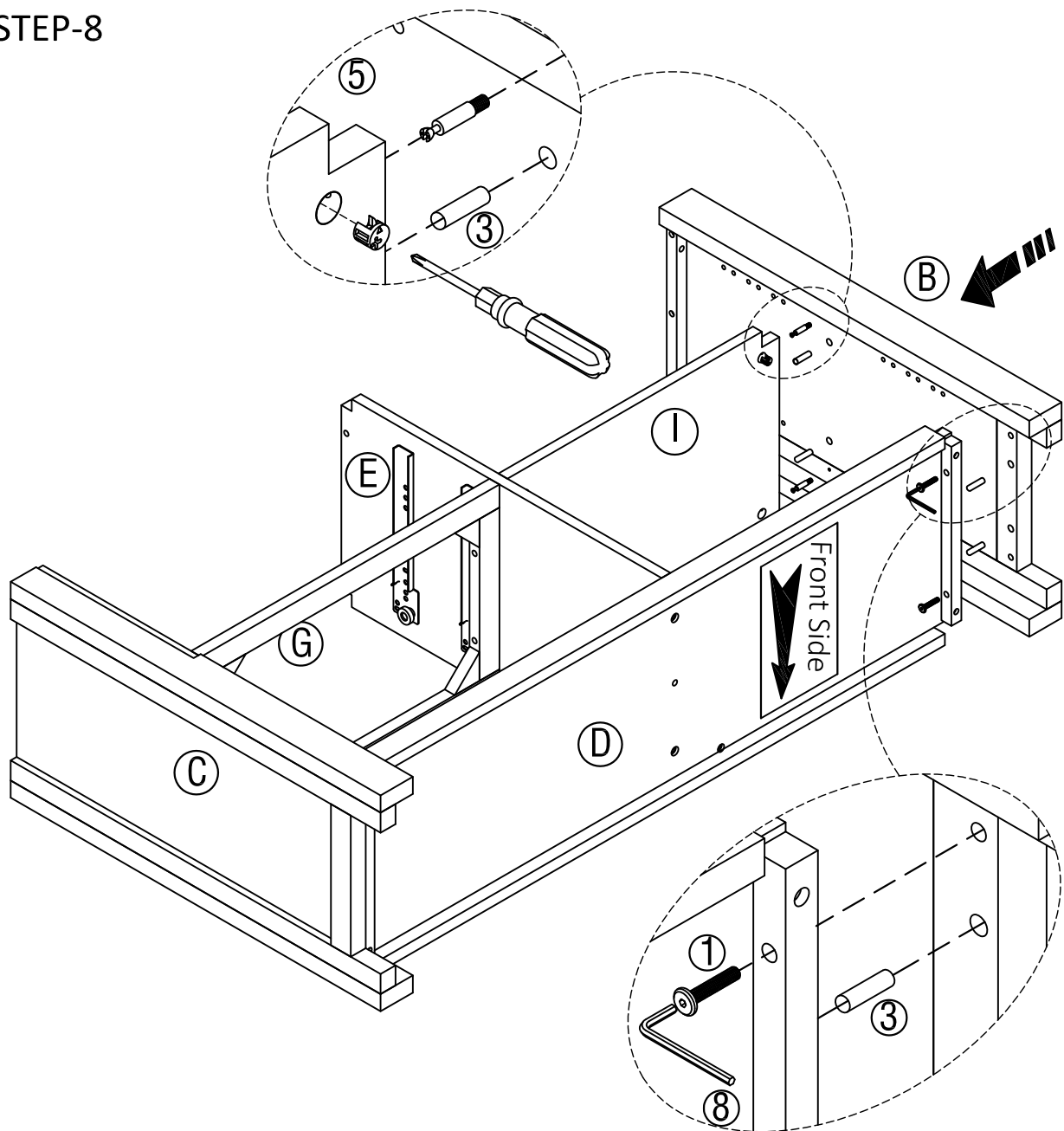
1. Insert 2 Dowels (3) into pre-drilled holes on each side of Centre Shelf (1).
2. Use rubber mallet to tap Dowels (3) into bottom of holes securely. ½ length of Dowels should be exposed.
3. Attach 2 Cam Lock Pins (5) to pre-drilled holes on Divider (E).
4. Align Cam Lock Pins with pre-drilled holes and attach Centre Shelf (1).
5. Insert 2 Cam Locks (5) into pre-drilled holes on each side of Centre Shelf (1).
6. Use flathead screwdriver secure Cam Locks.

STEP-7



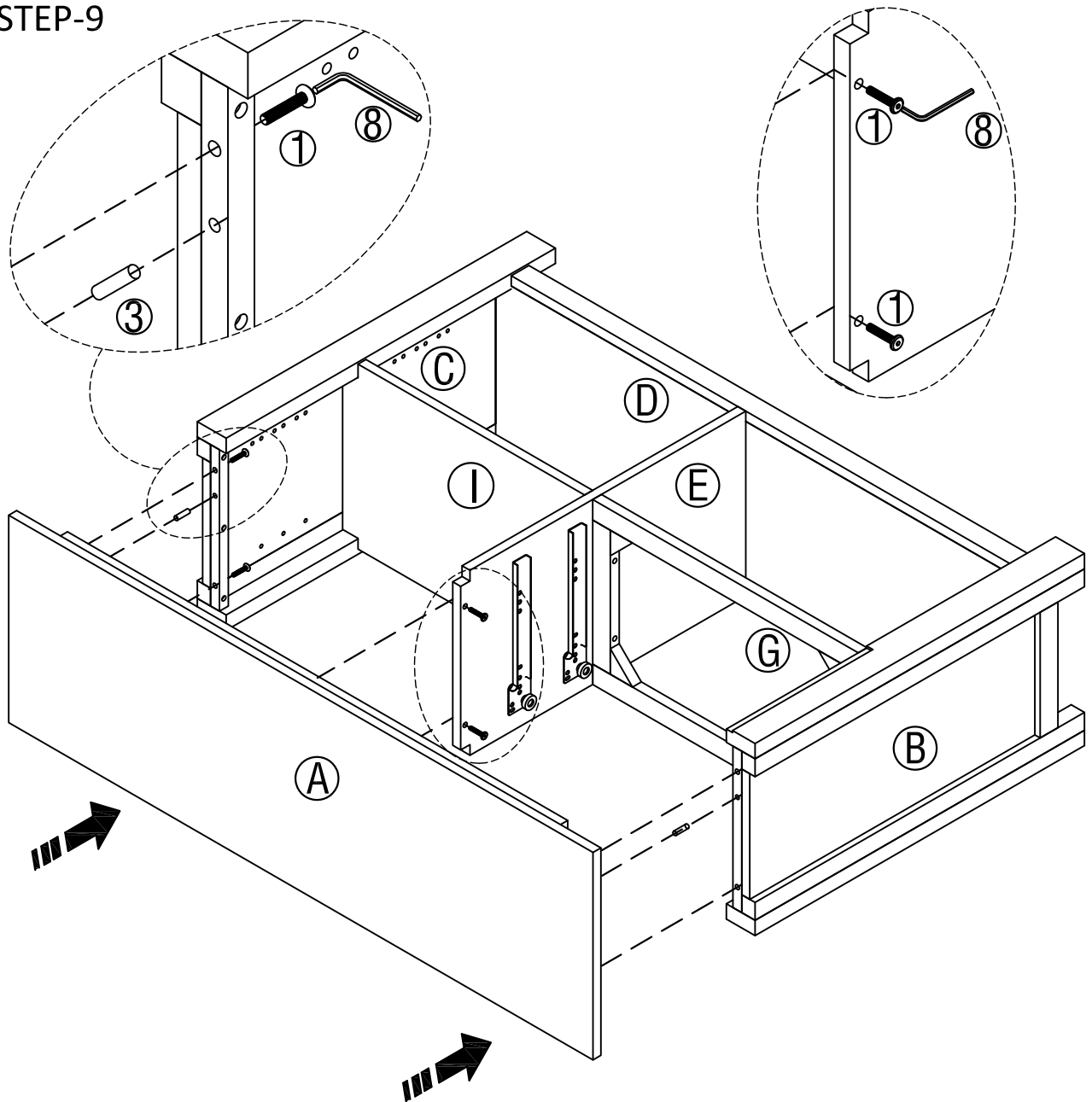
1. Insert 4 Dowels (3) into pre-drilled holes on Centre Frame (G) and Bottom Shelf (D). (2 Dowels on each part).
2. Use rubber mallet to tap Dowels (3) into bottom of holes securely. $\frac{1}{2}$ length of Dowels should be exposed.
3. Attach Centre Frame (G) to Left Side (C) using 2 Allen Key Bolts (2) .
4. Attach Bottom Shelf (D) to Left Side (C) using 2 Allen Key Bolts (1) .
5. Use Allen Key (8) to tighten. Do not over-tighten.

STEP-8



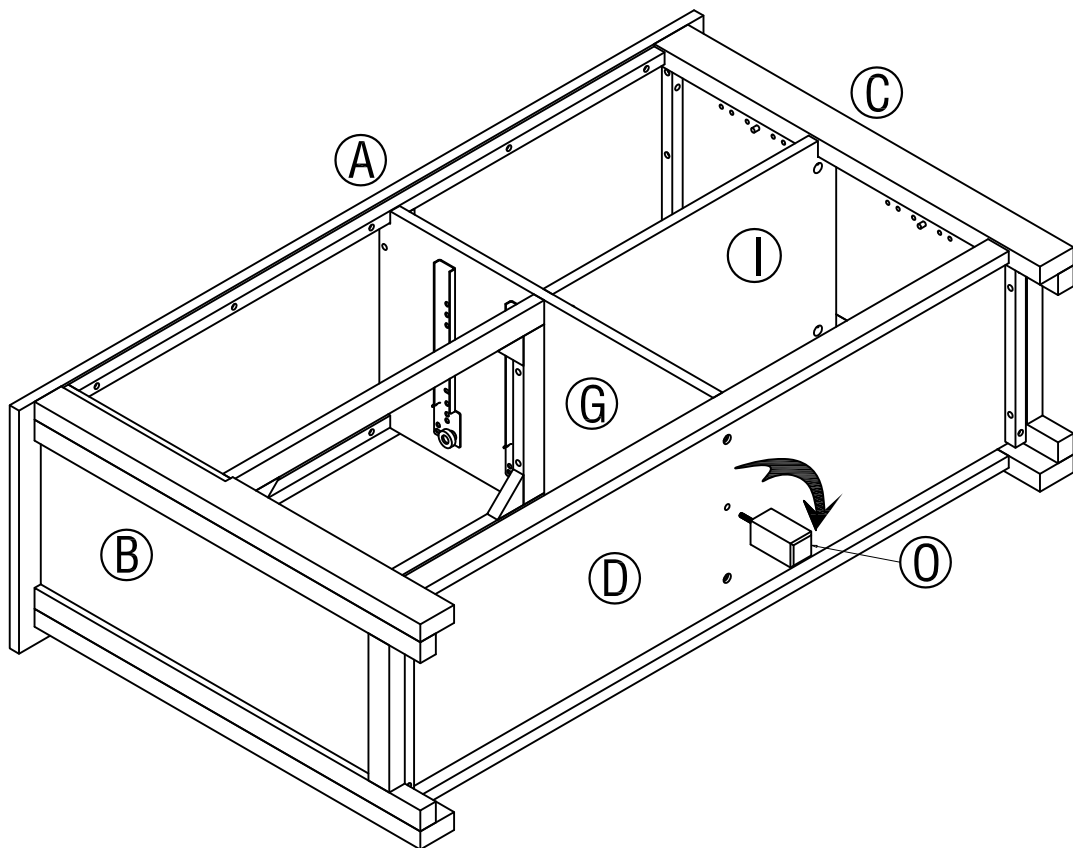
1. Insert 4 Dowels (3) into pre-drilled holes on Centre Shelf (I) and Bottom Shelf (D). (2 Dowels on each part).
2. Use rubber mallet to tap Dowels (3) into bottom of holes securely. ½ length of Dowels should be exposed.
3. Attach 2 Cam Lock Pins (5) to pre-drilled holes on Left Side (B).
4. Align Cam Lock Pins with pre-drilled holes and attach Centre Shelf (I).
5. Insert 2 Cam Locks (5) into pre-drilled holes on Centre Shelf (I).
6. Use flathead screwdriver secure Cam Locks.
7. Attach Bottom Shelf (D) to Left Side (B) using 2 Allen Key Bolts (1).
8. Use Allen Key (8) to tighten. Do not over-tighten.

STEP-9



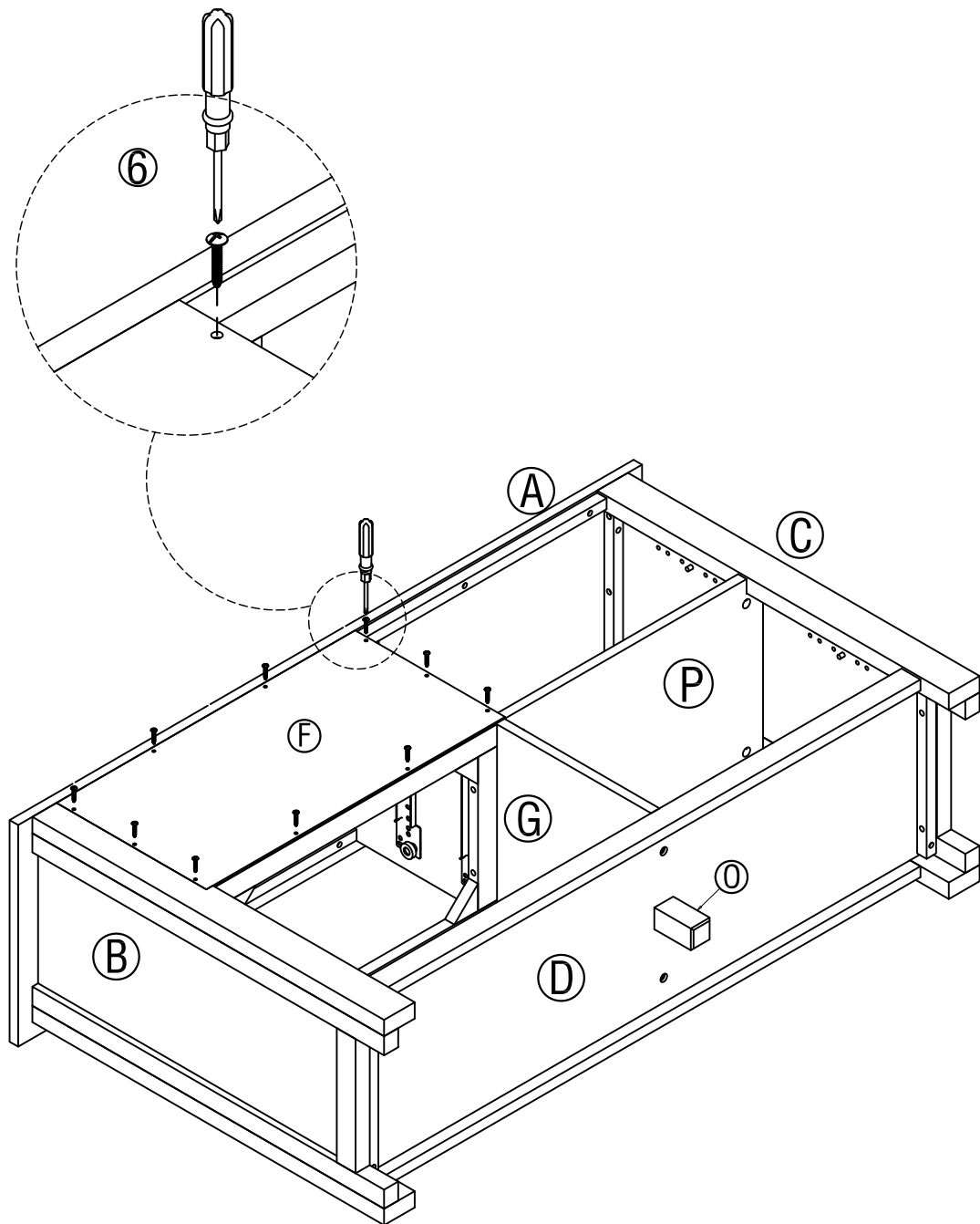
1. Insert 2 Dowels (3) into pre-drilled holes on Side (B) and Side (C).
2. Use rubber mallet to tap Dowels (3) into bottom of holes securely. ½ length of Dowels should be exposed.
3. Attach Top (A) to Sides (B) & (C) using 4 Allen Key Bolts (1) (2 Bolts on each Side).
4. Attach Top (A) to Divider (E) using 2 Allen Key Bolts (1).
5. Use Allen Key (8) to tighten. Do not over-tighten.

STEP-10



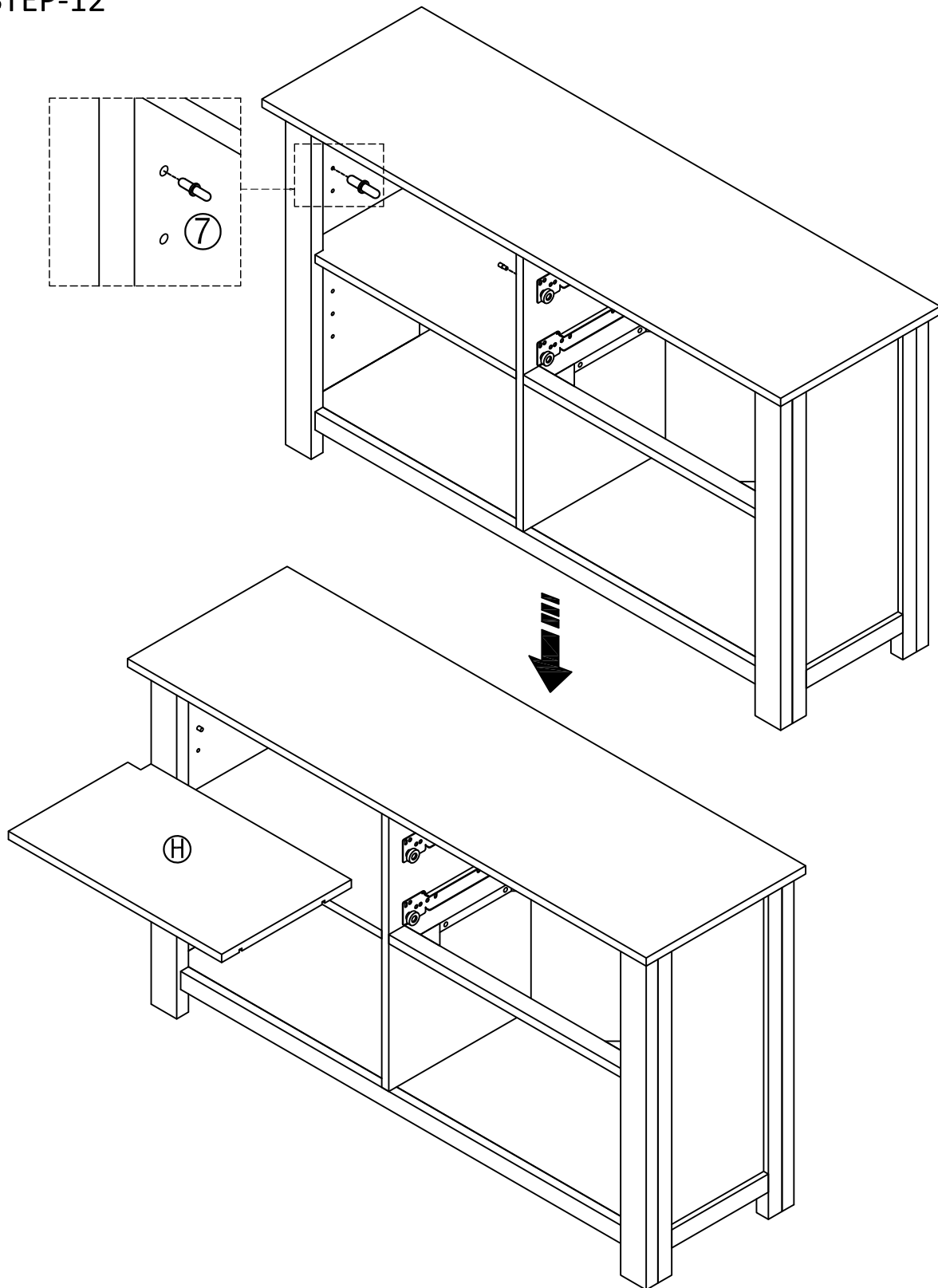
1. Attach Bottom Support Leg (O) to Bottom Shelf (D).

STEP-11



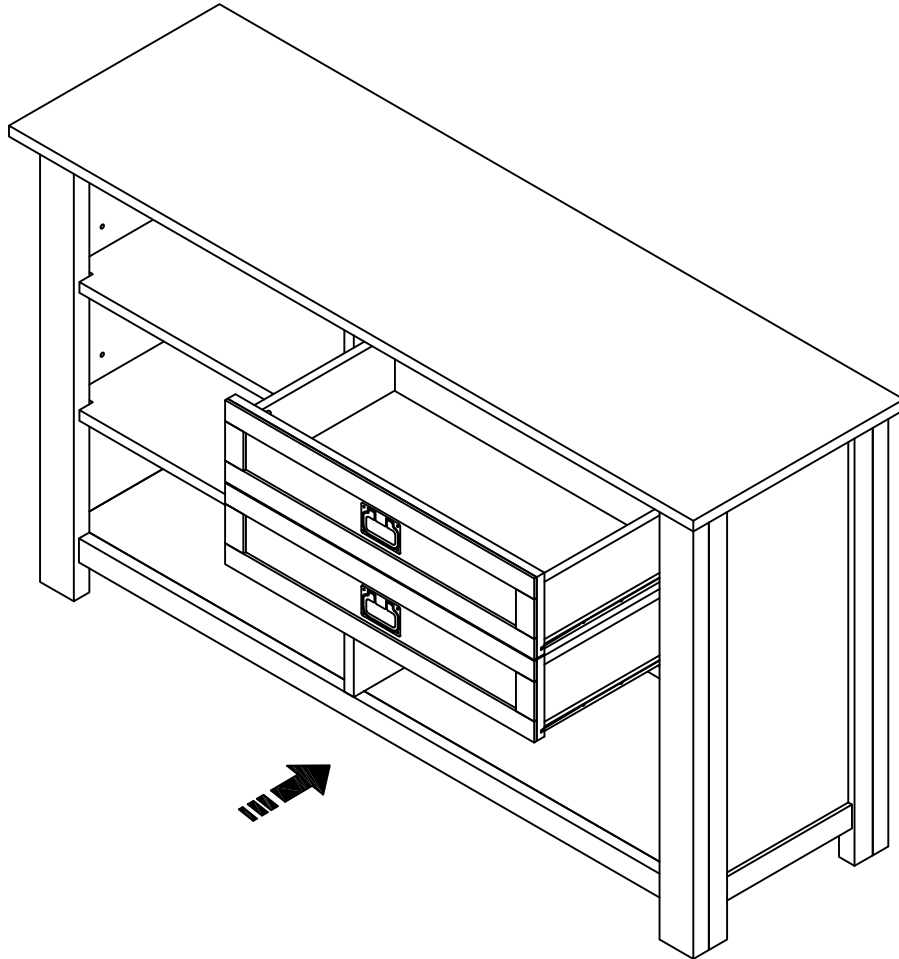
1. Attach Back Panel (F) to back frame of cabinet using Phillips Screws Round Head (6) into pre-drilled guide holes.
2. Use Phillips screwdriver to tighten screw. Do not over tighten.

STEP-12



1. Use 4 Shelf Supports (7) for each Cabinet Shelf (H) in desired location.
2. 2 Shelf Supports (7) may be used on back top of each Cabinet Shelf (H) as a tipping restraint.

STEP-13



1. Insert assembled drawers into glides on assembled console table.



WARRANTY

Thank you for purchasing a **Simpli Home – Wyndenhall – Brooklyn + Max** product. These products have been made to demanding, high-quality standards and are guaranteed for domestic use against manufacturing faults for a period of 12 months from the date of purchase. This warranty does not affect your statutory rights.

In case of any malfunction of your product (failure, missing parts, etc.) please contact us at our toll free service line at 1-866-518-0120 ext. 262 from 9 am to 5 pm, Monday to Friday, Eastern Standard Time or by email at [simpli-home.com/customer-support](https://www.simpli-home.com/customer-support).

We reserve the right to repair or replace the defective product, at its discretion.

This product is guaranteed for 12 months if used for normal purposes. Any warranty is invalid if the product has been overloaded or subject to neglect, improper use or an attempted repair by other than an authorized agent. Heavy-duty or daily professional/commercial usage are not guaranteed.

Due to continuous product improvement, we reserve the right to change the product specifications without prior notice.

PLEASE NOTE: This item is hand-crafted and hand-finished with utmost care. As such, variations and imperfections should be expected and should be welcomed as the natural beauty of the wood.



Question, problems, missing parts?

Before returning please email Customer Support at
simpli-home.com/customer-support

or call

Customer Service at 1-866-518-0120 ext. 262
Monday to Friday between 9 am – 5 pm EST

For more information visit us on our website
www.simpli-home.com

Like us on facebook
www.facebook.com/simplihomefurnishings

SIMPLI[™]
H O M E

WyndenHall[™]
HOME DECOR
brooklyn + max[™]

**ENTER
TO WIN**

Upload an image of our furniture in your home with a short review to our facebook page and have a chance to

**Win your choice of any one of
Simpli Home furniture pieces
Free!!!**

www.facebook.com/simplihomefurnishings

(draws monthly – shipping included)

(vanities not included)

