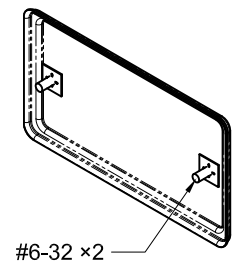
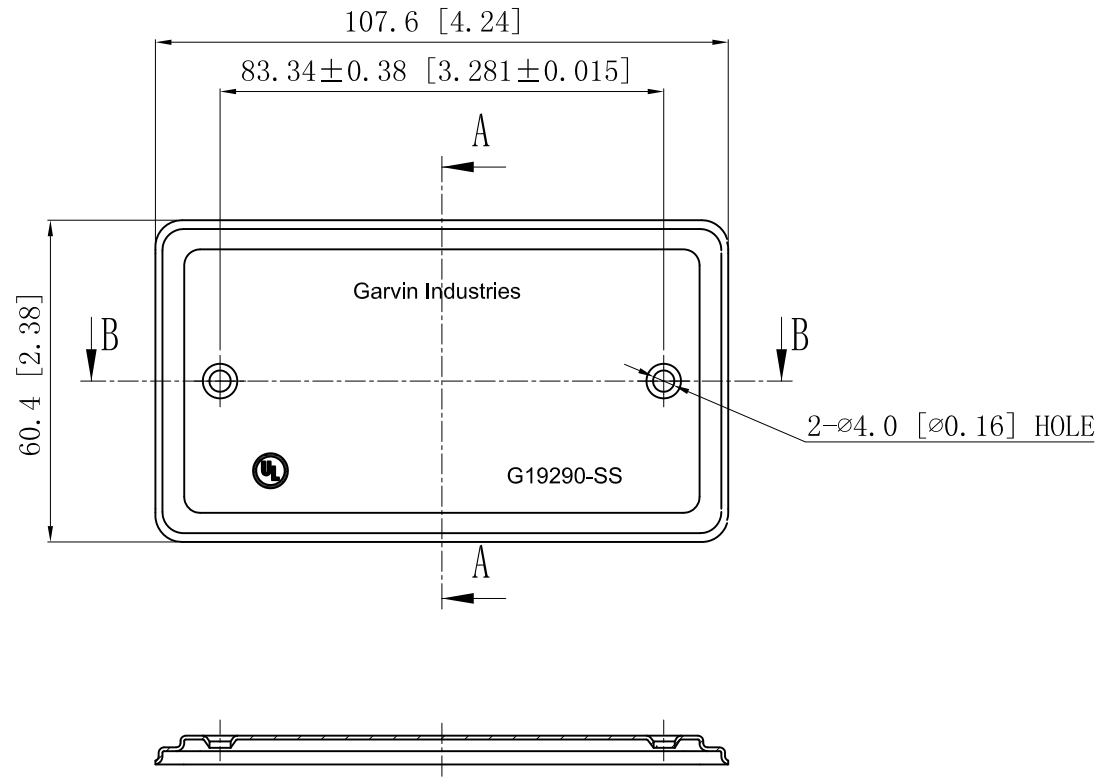
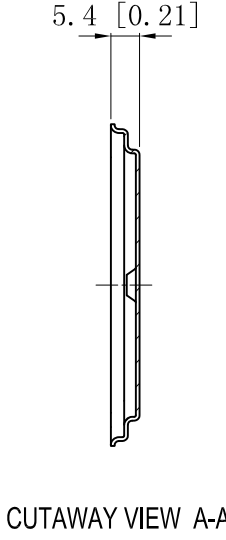


SIDES	BOTTOM
2 PCS 6-32×3/8 Stainless steel Screws	
Material:0.031MIN"-Stainless steel 304	



This data sheet is for reference only .GARVIN INDUSTRIES reserves the right to make changes to the design without prior notice.

DESCRIPTION
TRADE REFERENCE TERMS

STANDARD PACKING
100 PCS

GARVIN INDUSTRIES		
TITLE HANDY UTILITY BOX COVERS		
SIZE A4	DWG NO. G19290-SS-304	REV
DATA SHEET		