

Assist Rail Installation

en **For CS Bed**
User Manual

en

I General

I.1 Symbols

Signal words are used in this manual and apply to hazards or unsafe practices which could result in personal injury or property damage. See the information below for definitions of the signal words.



DANGER!

– Danger indicates an imminently hazardous situation which, if not avoided, will result in death or serious injury.



WARNING!

– Warning indicates a potentially hazardous situation which, if not avoided, could result in death or serious injury.



CAUTION!

– Caution indicates a potentially hazardous situation which, if not avoided, may result in property damage or minor injury or both.



Gives useful tips, recommendations and information for efficient, trouble-free use.

2 Safety

2.1 General Guidelines



DANGER!

Risk Of Death, Injury, Or Damage

Improper use of this product may cause injury or damage.

- If you are unable to understand the warnings, cautions or instructions, contact a healthcare professional, dealer or technical personnel before attempting to use this equipment.
- Do not use this product or any available optional equipment without first completely reading and understanding these instructions and any additional instructional material such as user manuals, service manuals or instruction sheets supplied with this product or optional equipment.

Continued use of the product with damaged parts could lead to the product malfunctioning, causing injury to the user and/or caregiver.

- Check ALL product components and carton for damage, and test components before use. **DO NOT** use product if components are damaged or if product is not working properly. Contact a qualified technician or Invacare for repair.

To avoid injury or product damage:

- Set-up and Assembly instructions **MUST** be performed by qualified technicians only. “Qualified Technician Only” sections are marked accordingly.

This manual **MUST** be given to the user of the product.
BEFORE using this product, read this manual and save for future reference.



Yes, you can.®



DANGER!
Risk Of Injury Or Death

Bed accessories designed by other manufacturers have NOT been tested by Invacare. Use of NON-Invacare bed accessories may result in injury or death.

- Use ONLY Invacare rails, mattresses, bed extenders and other accessories with Invacare bed products.



THE INFORMATION CONTAINED IN THIS DOCUMENT IS SUBJECT TO CHANGE WITHOUT NOTICE.



DANGER!
Risk of Death, Injury, or Damage

Proper patient assessment and monitoring, and proper maintenance and use of equipment is required to reduce the risk of entrapment.

Variations in bed rail dimensions, and mattress thickness, size or density could increase the risk of entrapment.

- Visit the FDA website at <http://www.fda.gov> to learn about the risks of entrapment. Review “A Guide to Bed Safety”, published by the Hospital Bed Safety Workgroup, located at www.invacare.com. Use the link located under each bed rail product entry to access this bed’s safety guide.



DANGER!
Risk Of Death, Injury Or Adverse Health Consequences

Fall hazard exists due to incorrect installation of bed rails

- To avoid injury, ensure that the Invacare bed rails are installed correctly and securely attached to the bed while entering or exiting.

Fall hazard exists due to use of NON-Invacare bed rails. Non-Invacare bed rails are potentially incompatible with Invacare beds.

- To avoid injury, ensure that only Invacare bed rails are used with Invacare beds at all times.

Fall hazard exists due to use of NON-Invacare mattresses. Non-Invacare mattresses are potentially incompatible with Invacare beds.

- To avoid injury, ensure that only Invacare mattresses are used with Invacare beds at all times.



DANGER!
Risk Of Death, Injury Or Damage

To avoid entrapment, damage, and/or personal injury:

- These bed rails are intended to prevent an individual from inadvertently rolling out of bed. Do not use for restraint purposes.
- Use ONLY Invacare rails with Invacare products.
- DO NOT use the bed rails as push handles when moving the bed.



DANGER!
Risk of Death, Injury, or Damage

Patient entrapment from the use of bed side rails may cause injury or death. To avoid patient entrapment:

- The Invacare mattress MUST fit firmly against the bed frame AND bed side rails to prevent patient entrapment. Follow the manufacturer’s instructions. Monitor patient frequently. Read and understand the User Manual prior to using the Invacare bed and bed rails. User manuals are available at www.invacare.com or your dealer.
- After any adjustments, repair or service and before use, make sure all attaching hardware is tightened securely.



DANGER!
Risk Of Death, Injury, Or Damage

To avoid entrapment, product damage, and/or personal injury:

- When used with a manual/electric bed, the bed rails DO NOT fall under any weight limitations. Bed rails can be deformed or broken if excessive side pressure is exerted on the bed rails. These bed rails are used for the purpose of preventing an individual from inadvertently rolling out of bed. The bed rails are not intended nor may be used for restraint purposes. If an individual is capable of injuring himself/herself, a physician or a healthcare professional should be consulted for alternative means of safe restraint.
- After raising/lowering the head/foot end of the electric bed, check the distance between the bottom of the bed rail and the mattress. If there is excessive distance between the bottom of the bed rail and the mattress in which individuals may become entangled, adjust the height of the bed rail (if applicable), or provide alternative means of patient protection.
- DO NOT use the side rails as push handles for moving the electric bed.
- Replacement mattresses and bed side rails with dimensions different from the original equipment supplied or specified by the bed frame manufacturer are not interchangeable. Variations in bed side rail design, width and thickness or firmness of the mattress could cause/contribute to entrapment.



DANGER!
Risk of Death, Injury, or Damage

Conditions such as restlessness, mental deterioration and dementia or seizure disorders (uncontrolled body movement), sleeping problems, and incontinence can significantly impact a patient’s risk of entrapment. Pediatric patients or patients with small body size may also have an increased risk of entrapment.

- Monitor patients with these conditions frequently.
- Place mattress deck in the flat position when left unattended.



DANGER!
Risk of Death, Injury, or Damage

To avoid death, injury or damage due to improper maintenance or inspection. Always maintain and inspect equipment per the instructions in this manual. Contact a qualified technician or Invacare if any of the following issues are present:

- Loose or missing parts such as end caps, knobs, bolts, screws etc., should be secured or replaced.
- Sharp edges or surfaces should be corrected or replaced.
- Parts showing excessive wear should be replaced.
- Warped or otherwise damaged parts should be replaced immediately.



DANGER!
Risk Of Death, Injury Or Damage

To avoid pinching, crush and collapse hazards from bed deck contact with objects under the bed:

- DO NOT place any objects or let any individual underneath the bed or in between the raised bed frame components at any time.

To avoid choking from small detachable parts contained underneath the bed:

- Closely supervise children, pets, or people with physical/mental disabilities.

2.2 Measuring the Bed Deck



WARNING!
Risk of Injury or Damage

The use of wider Assist Rail than specified could create the potential for patient entrapment. To avoid injury or damage from entrapment:

- Assist Rail width **MUST** correspond with bed deck width to ensure proper fit and compliance with entrapment guidelines.



Use the following table as a guide: Installer of Assist Rails must confirm the width of the bed deck prior to installation of Assist Rails. Proper measurement of bed deck width is from the outside edge to outside edge of the deck, as shown in the following diagram:

Assist Rail Model	IHCSRLAS	IHCSRLAS-39	IHCSRLAS-42
Minimum Deck Width	36"	39"	42"
Measuring for CS Beds Measure from outside of deck tube to outside of deck tube.			
Measuring for CS9 FX600 Beds 1. Set all bed sections to desired width. 2. Measure from outside of adjustable wing to outside of adjustable wing.			

3 Setup

3.1 Parts and Packaging

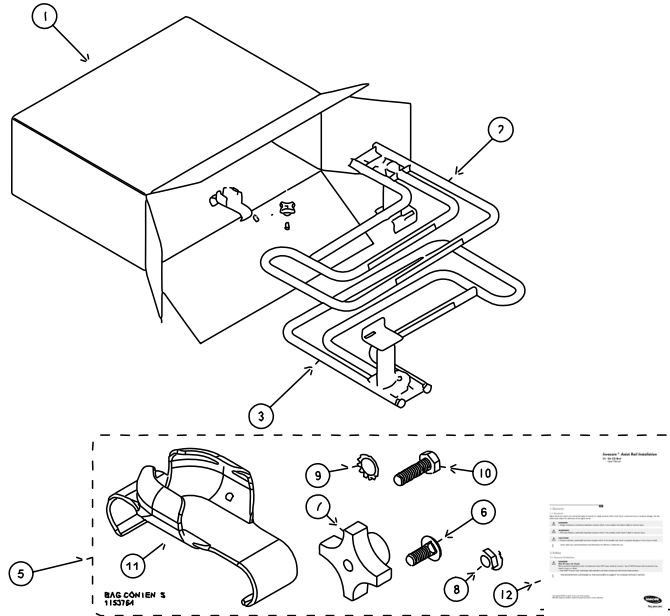


WARNING!

Risk of Injury or Damage

Incorrect Assist Rail mounting may result in PATIENT ENTRAPMENT.

- Mount the Assist Rail bracket ONLY on the welded frame tab.
- Never Install two Assist Rails on the same side of the bed.



ITEM NO.	DESCRIPTION	QTY.
1	Carton, Rail Assist	1
2	ASM, Rail Assist Rt	1
	ASM Rail Assist 39" RT	
	ASM Rail Assist 42" RT	
	ASM Rail Assist RT NG	
3	ASM Rail Assist LT	1
	ASM Rail Assist 39" LT	
	ASM Rail Assist 42" LT	
	ASM Rail Assist LT NG	
4*	Bag, Poly	1
5	Kit, Knob & Screw	1
6	Screw, 5/16-18 X 0.75 RND HD SQ Neck	2
7	Knob 5/16-18 Phenolic	2
8	Nut, 5/16-18 HX FLG	2
9	Serrated 5/16 Washer	2
10	Cap Screw 516-18X1	2
11	Holster, Pendant	1
12	Sheet, Instruction Assist Rail	1




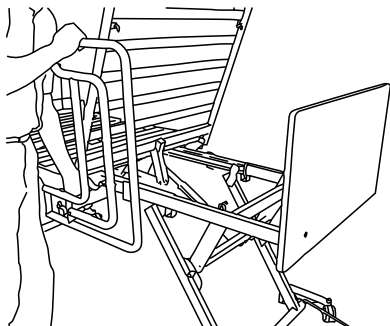
An optional 5/16-18" flange nut may be used in place of hand knob. The flange nut is tightened with a 1/2" wrench. A 1/2" wrench is also used with the cap screw assembly if the bracket mounting hole is round.

*Not shown

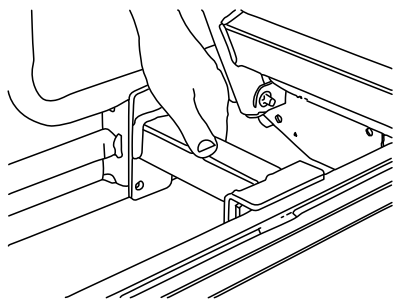
4 Installation

4.1 Installing the Assist Rail Bracket

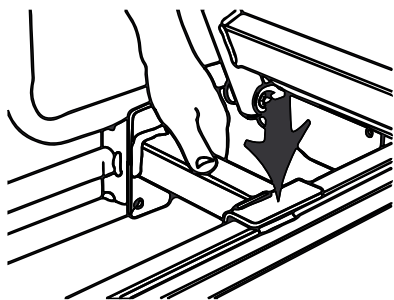
-  Mating holes in the CS bed frame will only allow the left Assist Rail to fit on the left side of the bed and the right Assist Rail to fit on the right side of the bed. If the frames holes appear misaligned, try installing the rail on the opposite side of the bed.



1. Raise the head section to expose the bed frame.




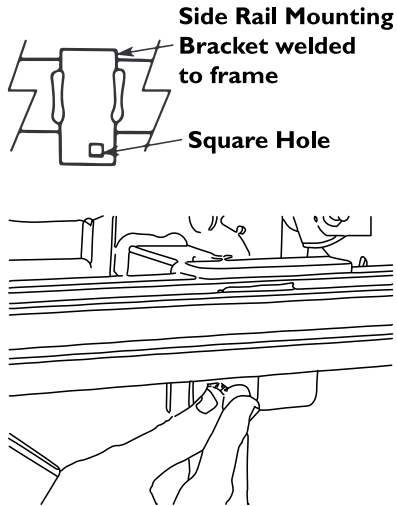
2. Position the Assist Rail bracket over the mounting tab on the frame.



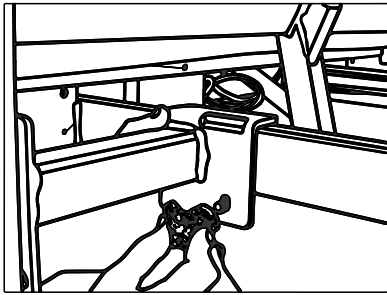
3. Lower the bracket to engage the mounting tab in the bracket slot.

4.2 Option 1 Knob and Carriage Screw Assembly

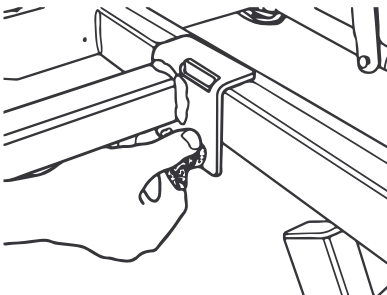
 For square mounting hole only.



1. Insert the 5/16–18" x 3/4" Carriage Screw through the back of the frame-tab mounting hole.




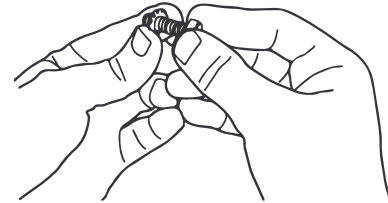
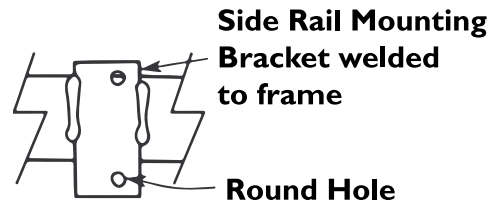
2. Place 5/16" black plastic knob on the threaded screw.



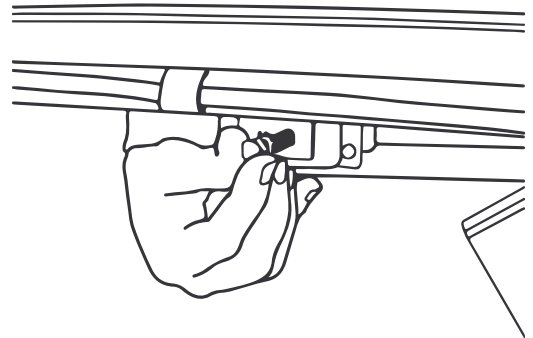
3. Hand-tighten the knob. Repeat for the other side.

4.3 Option 2 Cap Screw with Serrated Washer Assembly

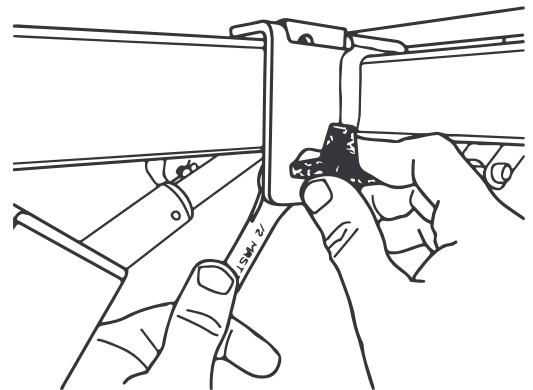
 For round mounting hole only.



1. Insert the 5/16–18" x 1 cap screw through the 5/16" serrated washer.



2. Place cap screw with washer through the back of the lower round hole in the side rail mounting bracket.



3. Tighten the cap screw with a 1/2" wrench while holding the knob with your other hand. Repeat for the other side.

5 Usage

5.1 Usage



WARNING!

Risk Of Injury Or Damage

To avoid pinching, choking, crush and collapse hazards from small detachable parts contained underneath the bed and bed deck contact with objects under the bed:

- DO NOT place any objects or let any individual underneath the bed or in between the raised bed frame components at any time.

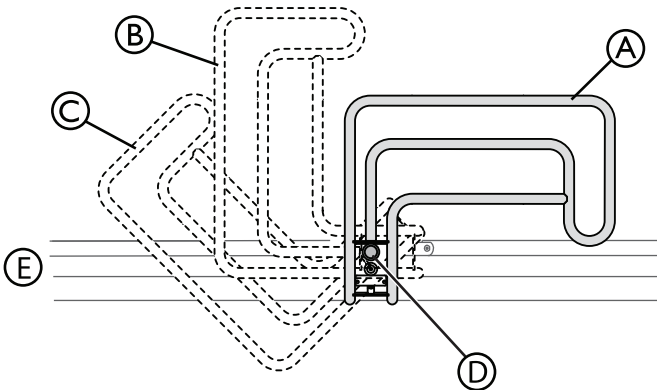


WARNING!

Risk Of Injury Or Damage

Patient entrapment may occur with assist rail in the transfer position. To avoid injury or damage from entrapment:

- Only use the transfer position while attending to the patient.
- When patient is unattended, return the assist rail to either of the locking positions: Guard or Assist.



The assist rails have three positions:

- Guard (Down) (A): This position is intended to prevent an individual from inadvertently rolling out of bed.
- Assist (Up) (B): Assists user in standing or sitting on bed.
- Transfer (Back) (C): Allows unimpeded access to user.

When changing position of the assist rail, hold and raise the bar with one hand while pulling the adjustment knob (D) outward with the other hand.

Ensure assist rail tilts toward head end (E) of bed in assist and transfer positions. Refer to installation section if it does not.

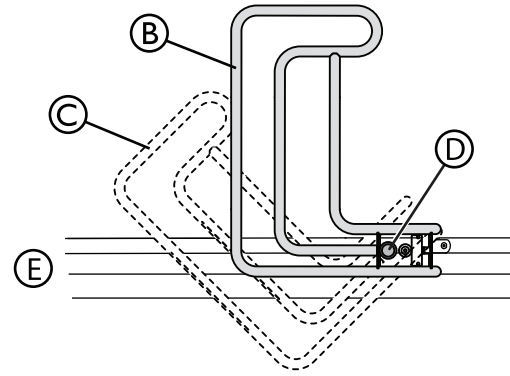
I. To change position of the assist rail perform one of the following:

- Guard (DOWN) Position: Pull the adjustment knob and lower assist rail to the guard position.
There will be an audible “Click” when the assist rail locks into position.
- Assist (UP) Position: Pull the adjustment knob and lift the assist rail to the assist position.
There will be an audible “Click” when the assist rail locks into position.
- Transfer (BACK) Position: Pull the adjustment knob and tilt the assist rail towards the head end of the bed until the assist rail stops.



The bar does not lock in the Transfer Position.

5.2 Operating the No Guard Assist Rail



The No Guard Assist Rails have TWO positions:

- Assist (Up) (B): Assists user in standing or sitting on bed.
- Transfer (Back) (C): Allows unimpeded access to user.

When changing position of the assist rail, hold and raise the rail with one hand while pulling the adjustment knob (D) outward with the other hand.

Ensure assist rail tilts toward head end (E) of bed in assist position. Refer to installation section if it does not.

I. To change position of the assist rail perform one of the following:

- Assist (UP) Position: Pull the adjustment knob and lift the assist rail up to the assist position.
There will be an audible “Click” when the assist rail locks into position.
- Transfer (BACK) Position: Pull the adjustment knob and tilt the assist rail back towards the head end of the bed until the assist rail stops.



The rail does not lock in the Transfer Position.

6 Maintenance

6.1 Cleaning and Care

Invacare recommends maintenance and cleaning procedures be conducted initially, between users, on a regular schedule and as needed.

Sanitizing Method

All surfaces may be cleaned with:

- soapy water
- any common consumer disinfecting product
- most non-abrasive commercially available disinfecting products

Maintenance Check

- Verify the function of the spring latch-knob assembly. Ensure the latch is free of dirt and/or foreign material that could impair its function.
- Ensure that the assist rails engage and lock as specified.
- Tighten, adjust or replace any parts such as end caps, knobs, bolts, screws, etc. that are loose, show signs of wear or are missing.

Environmental Conditions for Storage

Store the bed in a clean and dry environment with an ambient temperature range between 15° and 30° Celsius (59° to 86° F).

Environmental Conditions for Transport

Transport the bed in a clean and dry environment.

7 Disposal

7.1 Disposal

When the product can no longer be used, the product, accessories and the packaging materials should be sorted correctly. Please be environmentally responsible and recycle this product through your recycling facility at its end of life.

The disposal and recycling of used devices and packaging must comply with the applicable legal regulations.

8 Warranty

8.1 Warranty

PLEASE NOTE: THE WARRANTY BELOW HAS BEEN DRAFTED TO COMPLY WITH FEDERAL LAW APPLICABLE TO PRODUCTS MANUFACTURED AFTER JULY 4, 1975.

This warranty is extended only to the original purchaser who purchases this product when new and unused from Invacare Continuing Care, Inc. or a dealer. This warranty is not extended to any other person or entity and is not transferable or assignable to any subsequent purchaser or owner. Coverage under this warranty will end upon any such subsequent sale or other transfer of title to any other person.

This warranty gives you specific legal rights and you may also have other legal rights which vary from state to state.

ICCI warrants this product when purchased new and unused to be free from defects in materials and workmanship for a period of one year from date of purchase from ICCI or a dealer, with a copy of the seller's invoice required for coverage under this warranty. If within such warranty periods any such product shall be proven to be defective, such product shall be repaired or replaced, at ICCI's option. This warranty does not include any labor or shipping charges incurred in replacement part installation or repair of any such product.

ICCI's sole obligation and your exclusive remedy under this warranty shall be limited to such repair and/or replacement.

For warranty service, please contact the dealer from whom you purchased your ICCI product. In the event you do not receive satisfactory warranty service, please write directly to ICCI at the address on the back cover, provide dealer's name, address, and the date of purchase, indicate nature of the defect and, if the product is serialized, indicate the serial number. Do not return products to our factory without our prior consent.

LIMITATIONS AND EXCLUSIONS: THE FOREGOING WARRANTY SHALL NOT APPLY TO SERIAL NUMBERED PRODUCTS IF THE SERIAL NUMBER HAS BEEN REMOVED OR DEFACED, PRODUCTS SUBJECTED TO NEGLIGENCE, ACCIDENT, IMPROPER OPERATION, MAINTENANCE OR STORAGE, PRODUCTS MODIFIED WITHOUT ICCI'S EXPRESS WRITTEN CONSENT (INCLUDING, BUT NOT LIMITED TO, MODIFICATION THROUGH THE USE OF UNAUTHORIZED PARTS OR ATTACHMENTS; PRODUCTS DAMAGED BY REASON OF REPAIRS MADE TO ANY COMPONENT WITHOUT THE SPECIFIC CONSENT OF ICCI, OR TO A PRODUCT DAMAGED BY CIRCUMSTANCES BEYOND ICCI'S CONTROL, AND SUCH EVALUATION WILL BE SOLELY DETERMINED BY ICCI. THE WARRANTY SHALL NOT APPLY TO NORMAL WEAR AND TEAR OR FAILURE TO ADHERE TO THE PRODUCT INSTRUCTIONS.

THE FOREGOING EXPRESS WARRANTY IS EXCLUSIVE AND IN LIEU OF ANY OTHER WARRANTIES WHATSOEVER, WHETHER EXPRESS OR IMPLIED, INCLUDING THE IMPLIED WARRANTIES OF MERCHANTABILITY AND FITNESS FOR A PARTICULAR PURPOSE, AND THE SOLE REMEDY FOR VIOLATIONS OF ANY WARRANTY WHATSOEVER, SHALL BE LIMITED TO REPAIR OR REPLACEMENT OF THE DEFECTIVE PRODUCT PURSUANT TO THE TERMS CONTAINED HEREIN. THE APPLICATION OF ANY IMPLIED WARRANTY WHATSOEVER SHALL NOT EXTEND BEYOND THE DURATION OF THE EXPRESS WARRANTY PROVIDED HEREIN. ICCI SHALL NOT BE LIABLE FOR ANY CONSEQUENTIAL OR INCIDENTAL DAMAGES WHATSOEVER.

SOME STATES DO NOT ALLOW THE EXCLUSION OR LIMITATION OF INCIDENTAL OR CONSEQUENTIAL DAMAGE, OR LIMITATION OF HOW LONG AN IMPLIED WARRANTY LASTS, SO THE ABOVE EXCLUSION AND LIMITATION MAY NOT BE APPLICABLE.

THIS WARRANTY SHALL BE EXTENDED TO COMPLY WITH STATE/PROVINCIAL LAWS AND REQUIREMENTS.

Invacare Continuing Care, Inc.

USA and Canada

One Invacare Way

Elyria, Ohio USA

44036-2125

800-668-2337

1153411-G-00 2015-12-15



www.invacare-cc.com

Designed by Invacare Corporation

Manufactured in Mexico for Invacare Corporation

Making Life's Experiences Possible™

© 2015 Invacare® Corporation

All rights reserved. Reproduction, duplication or modification in whole or in part is prohibited without prior written permission from Invacare. Trademarks are identified by ™ and ®. All trademarks are owned by or licensed to Invacare Corporation or its subsidiaries unless otherwise noted.



Yes, you can.®