

# ASSEMBLY INSTRUCTION

## BLISS

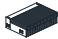



U1899-L21  
BLISS LOVESEAT W/PULL OUT BED




Thank you for purchasing this quality product. Be sure to check all packing materials carefully for small parts, which may have come loose inside the carton during shipment. Identify and count all items and compare with the parts list and/or hardware list shown below.

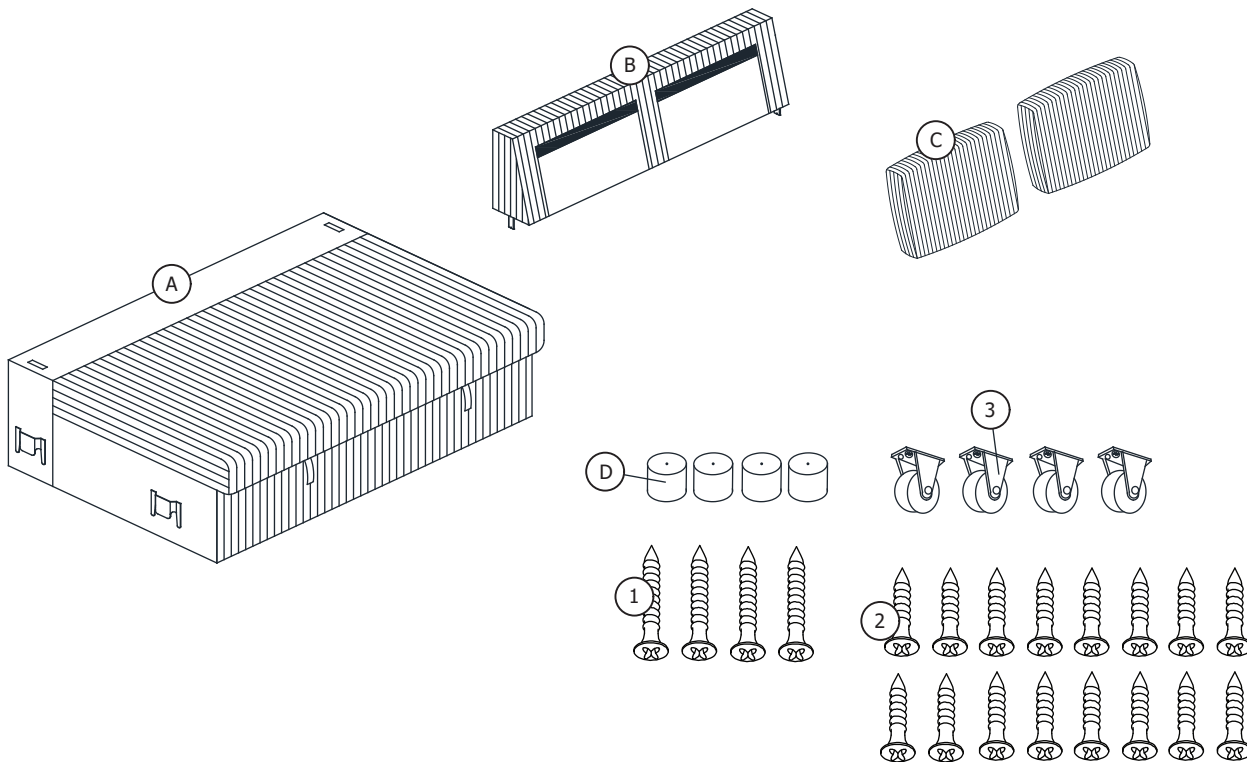
Please read all instructions carefully. See the hardware and furniture part listing for guidance. Be sure you have all parts listed before beginning assembly. Place all wooden parts on a clean, flat surface to protect the finish from scratches. Follow the diagram to assemble.

### CAUTION

1. Do not fully tighten the nuts or bolts until the table is fully assembled.
2. Please tighten by hand, not by a drill. Overtightening will damage threads. Do not overtighten.
3. Keep all hardware out of the reach of children.

PARTS LIST			
ITEM	DESCRIPTION	SKETCH	QTY
BOX 3 PARTS LIST			
A	BASE		1 PC
B	BACK		1 PC
C	CUSHION		2 PCS
D	BUN LEG		4 PCS

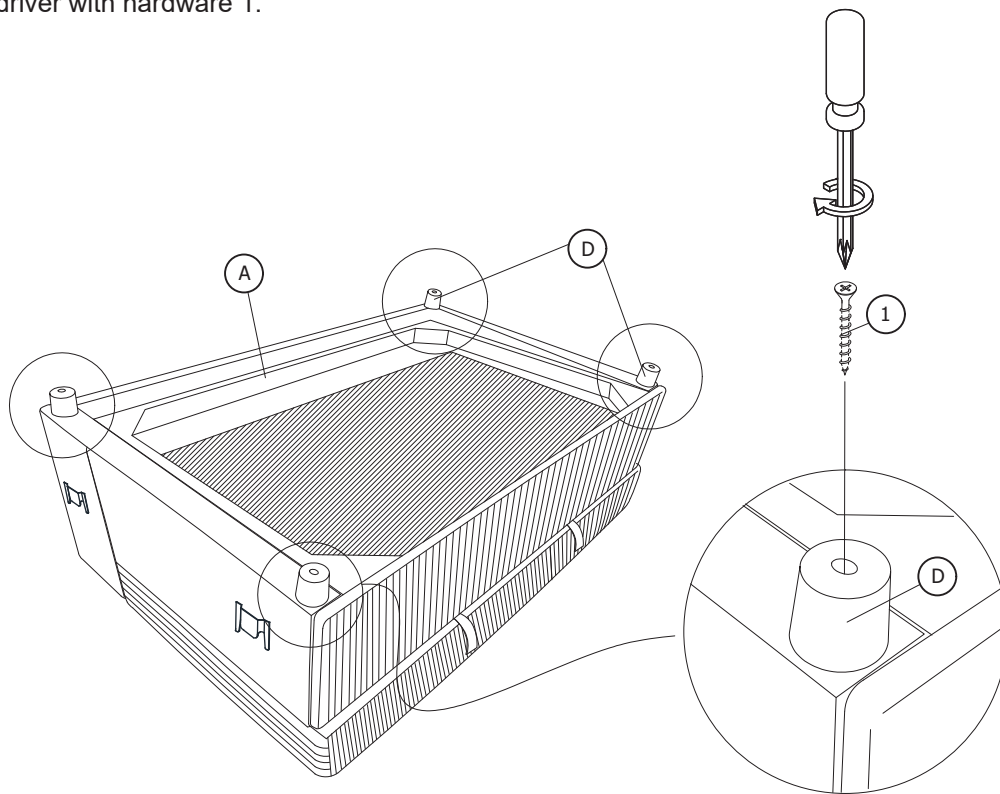
HARDWARE LIST			
ITEM	DESCRIPTION	SKETCH	QTY
BOX 3 HARDWARE			
1	LONG CSK SCREW M4 x 1 5/8"		4 PCS
2	SHORT CSK SCREW M3.5 x 3/4"		16 PCS
3	CASTER		4 PCS



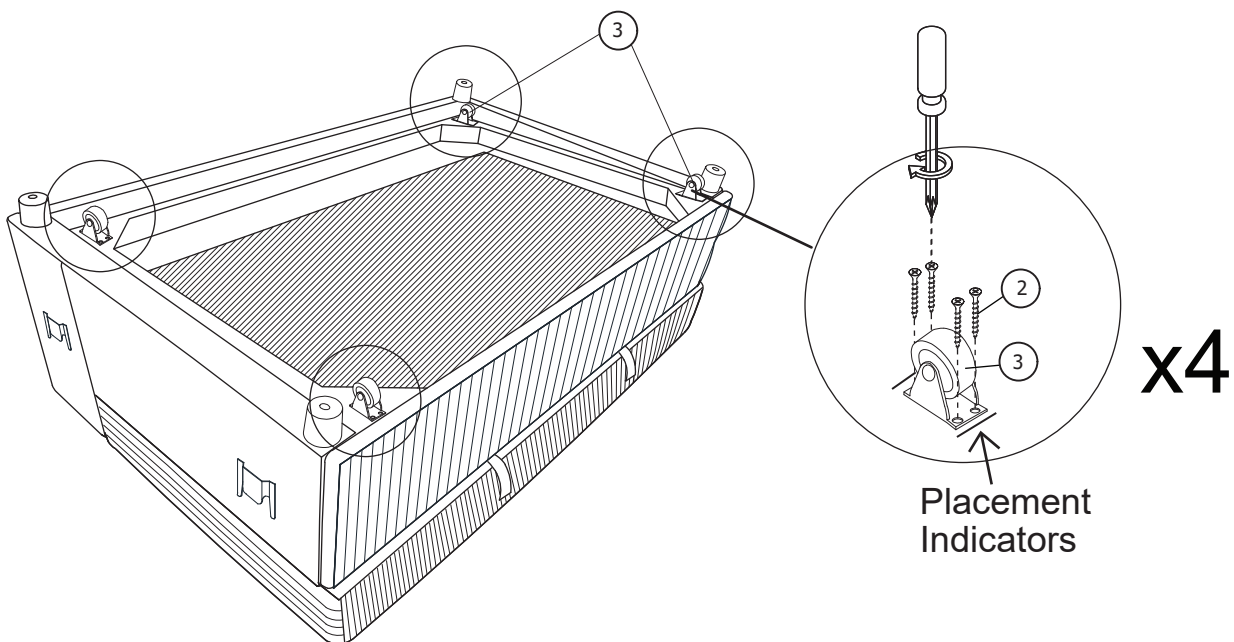
HARDWARE DIMENSIONS  
VERIFICATION TOOL



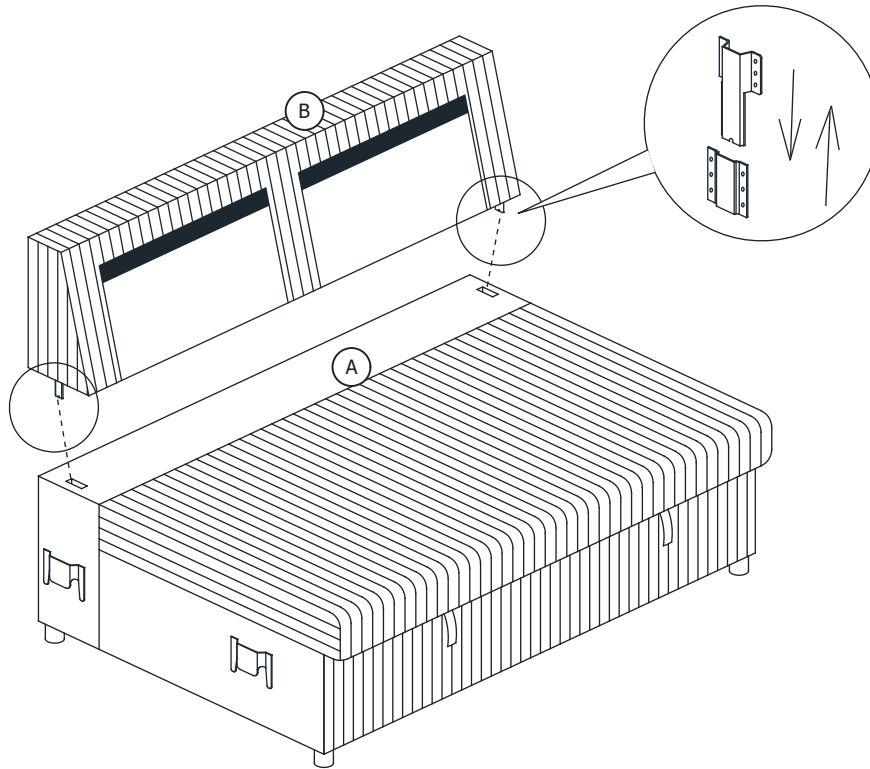
**STEP 1:** Place the Base (A) face down on a soft and clean area. Attach Bun Leg (D) to the Base (A) by using a screwdriver with hardware 1.



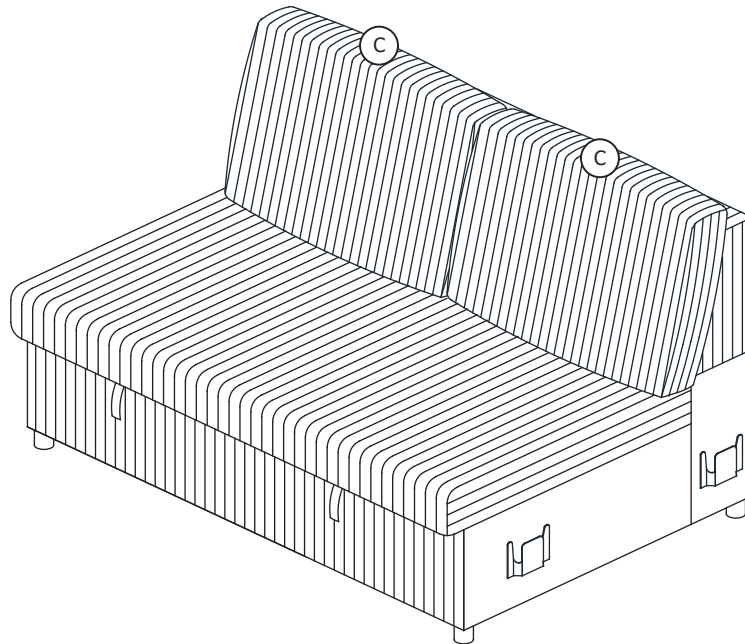
**STEP 2:** Place the Caster (3) on the Base (A) and align at the placement indicators. Assemble the casters by using a screwdriver with hardware 2.



**STEP 3:** Attach Back (B) to Base (A) by aligning the metal brackets and pushing down until securely attached.

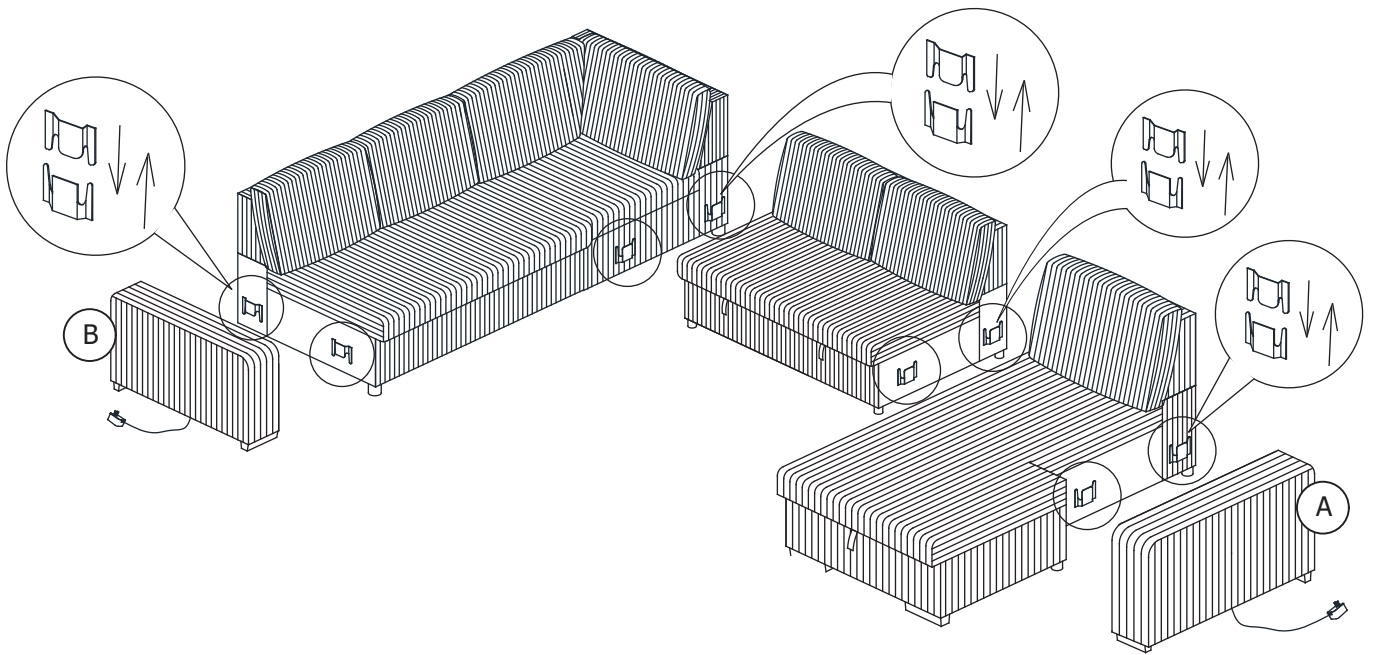


**STEP 4:** Place the cushions (C) against the backrest (B) accordingly.

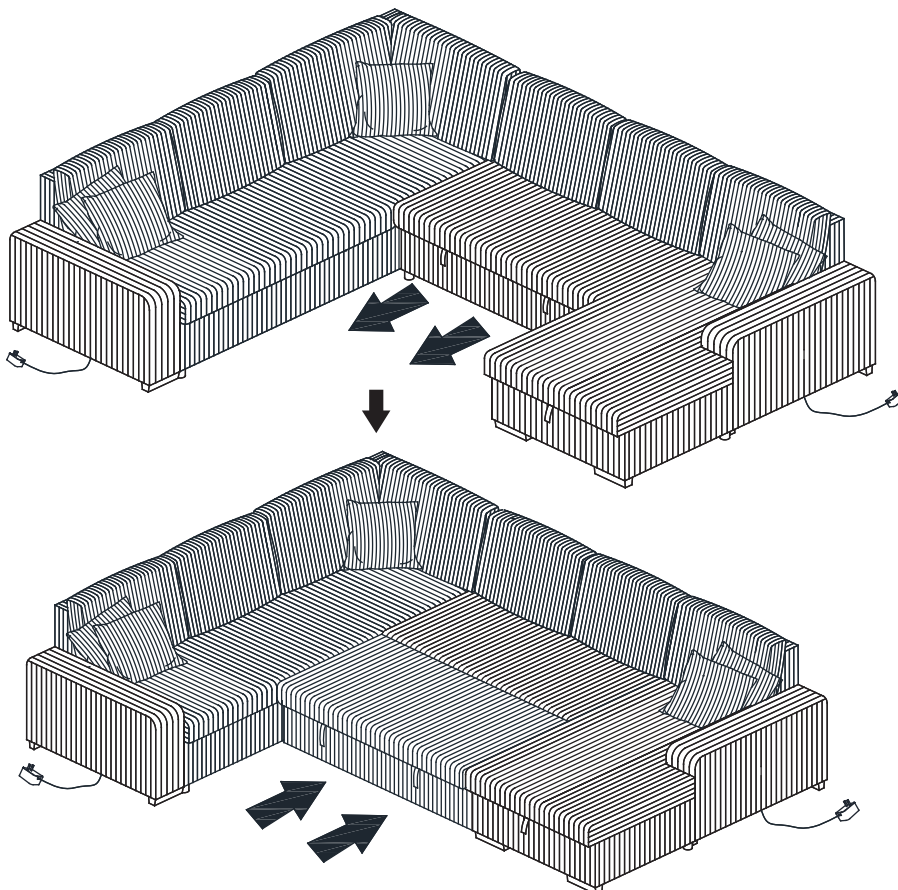


**OPTION 1**

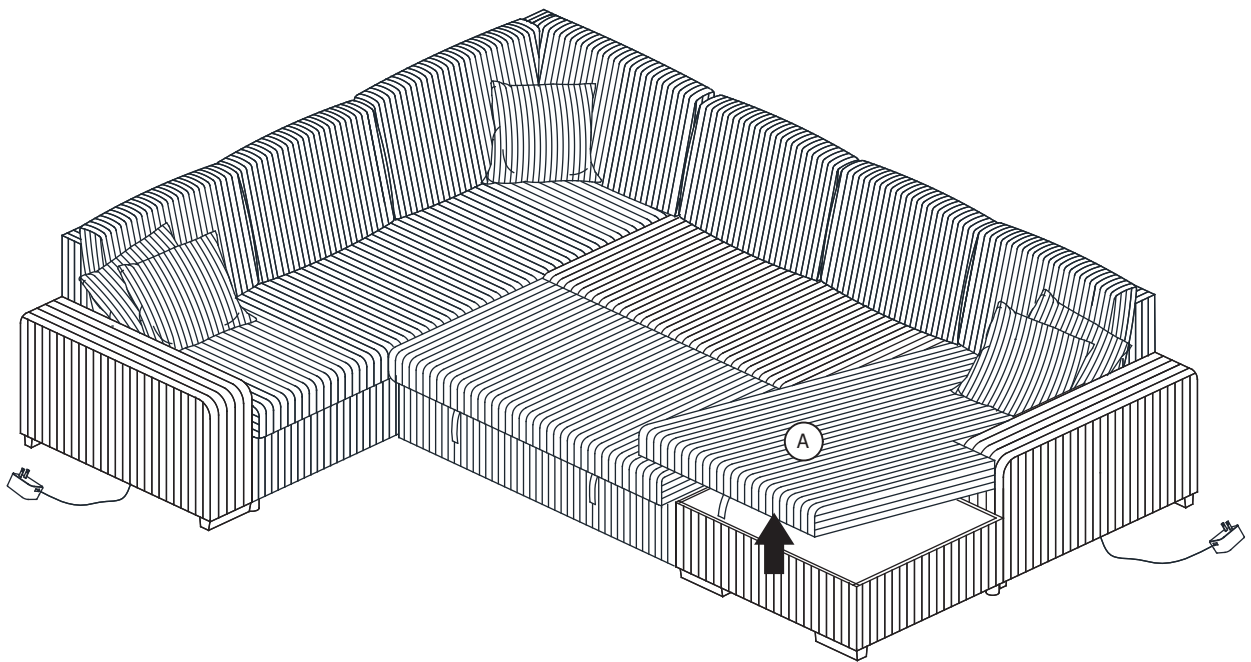
**STEP 4:** Align the sectional upholstery and connect them together by sliding the metal hooks into place until secure.



**STEP 5:** To Convert the sectional into a bed, pull the belts on the armless base until pull-out bed is fully extended. To retract the bed, pull the belts to lower the bed and push the base in.

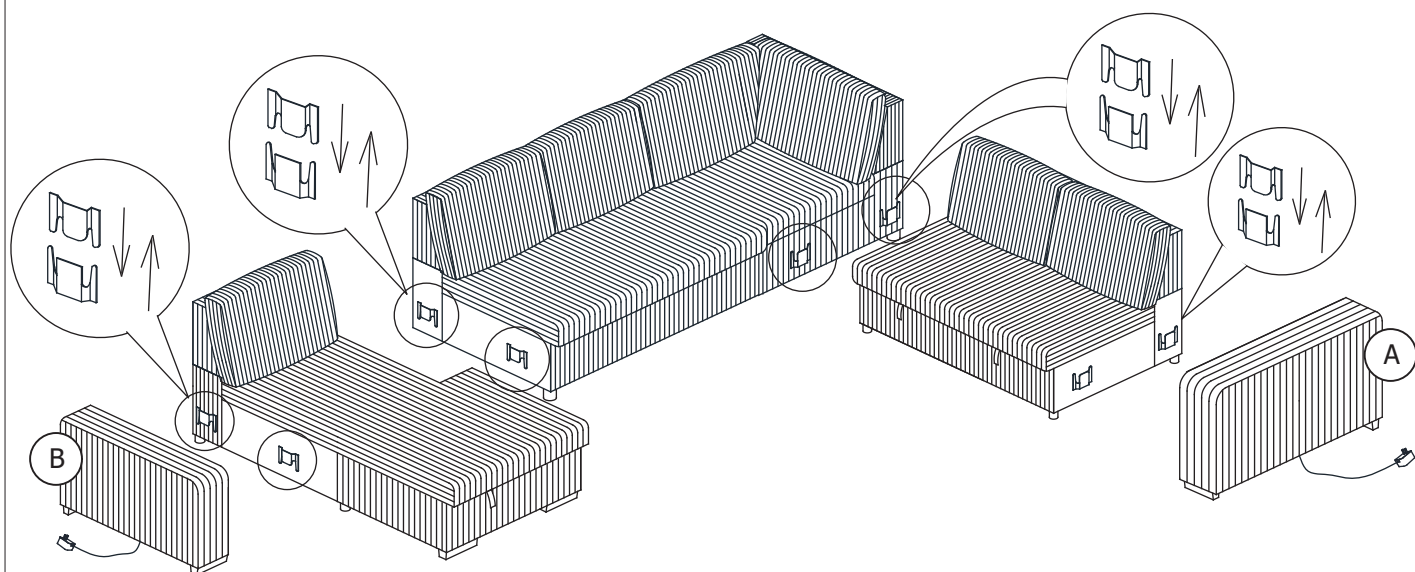


STEP 6: Lift the belt on the chaise for extra storage.

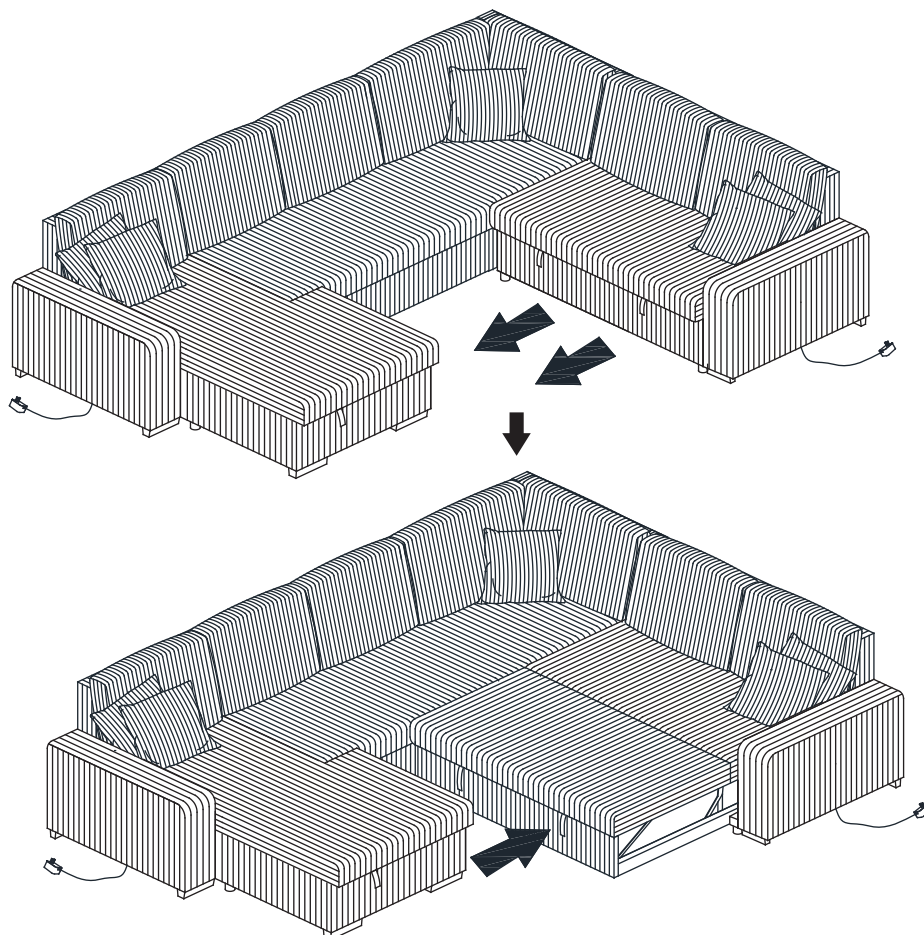


**OPTION 2**

**STEP 4:** Align the sectional upholstery and connect them together by sliding the metal hooks into place until secure.



**STEP 5:** To Convert the sectional into a bed, pull the belts on the armless base until pull-out bed is fully extended. To retract the bed, pull the belts to lower the bed and push the base in.



STEP 6: Lift the belt on the chaise for extra storage.

